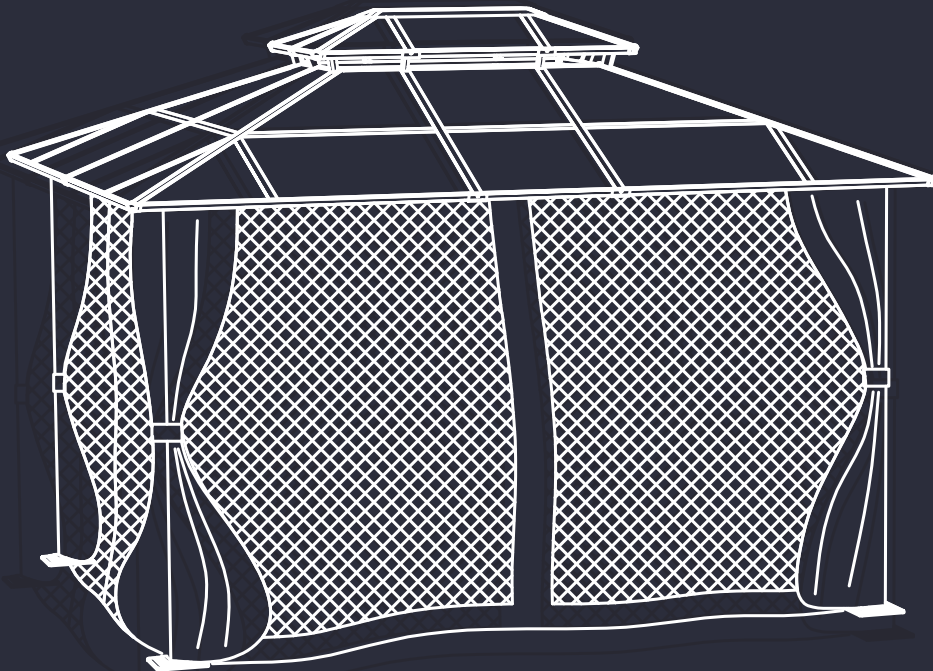


OWNER'S MANUAL

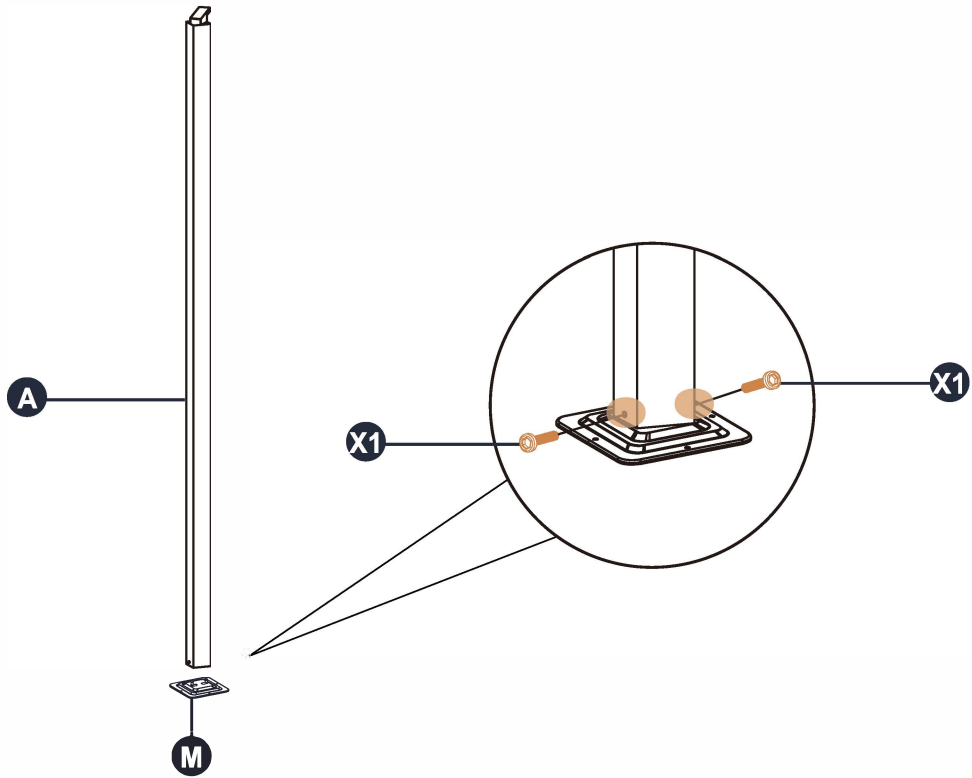
Polycarbonate Double Hardtop Gazebo



GAZEBO

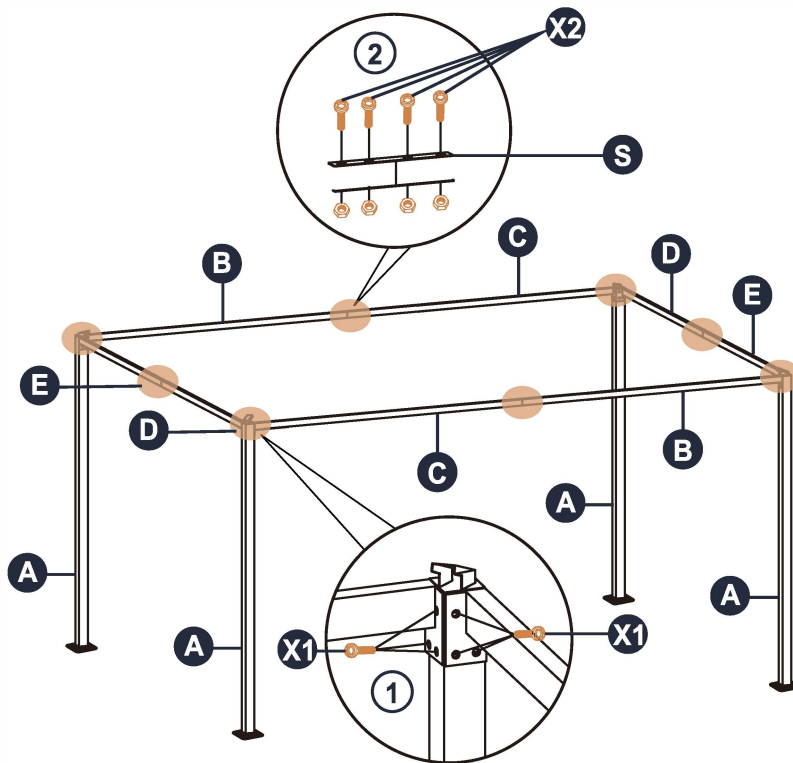
STEP 1

- X1  M6X15MM Bolt 8PCS
- X3  1PC



STEP 2

- X1  M6X15MM Bolt 24PCS
- X2  M6X60MM Bolt 16PCS
- X3  1PC
- X4  1PC



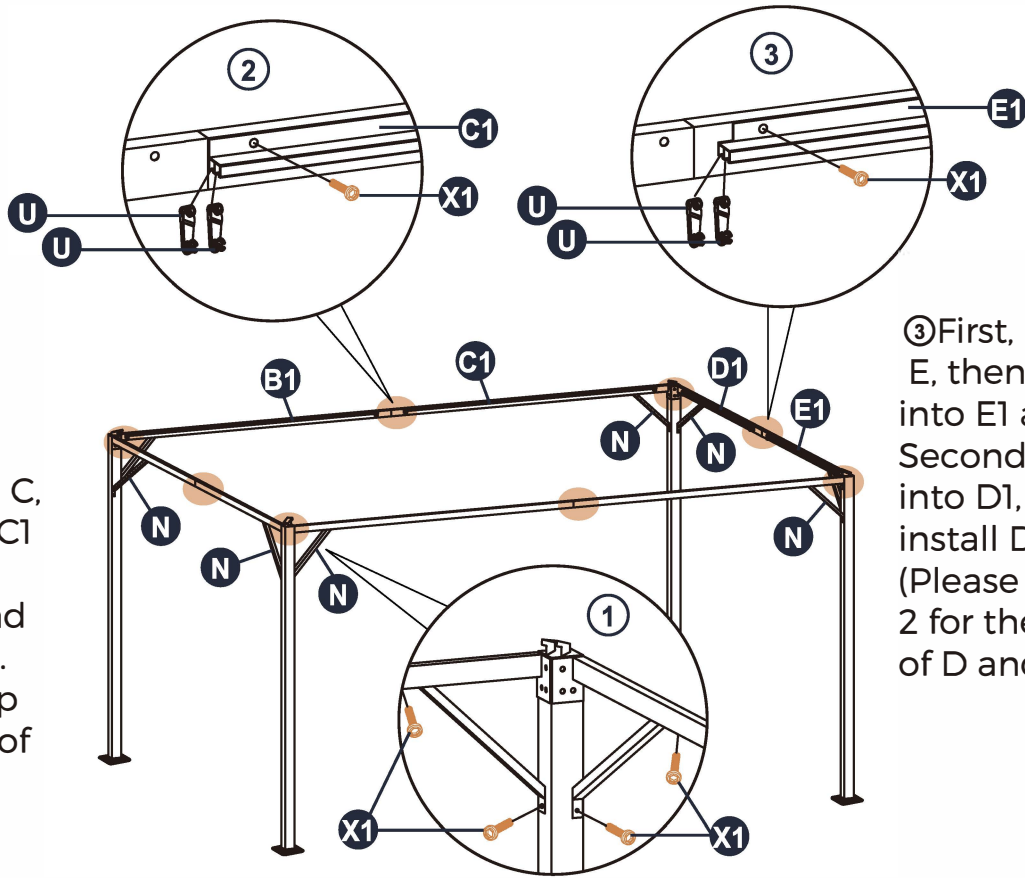
GAZEBO

STEP 3



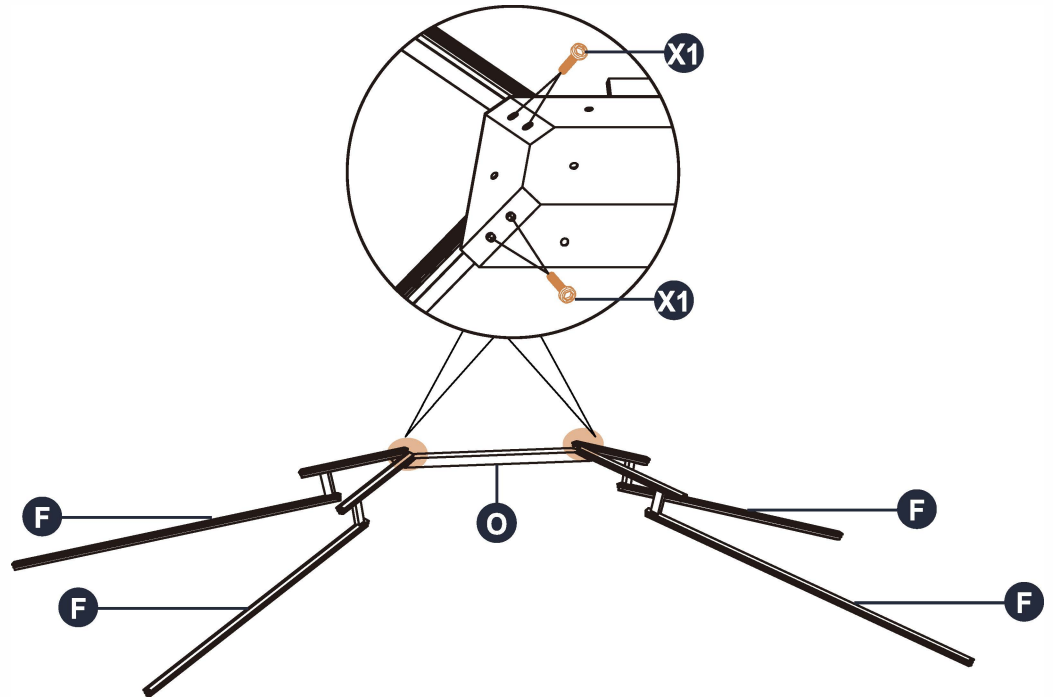
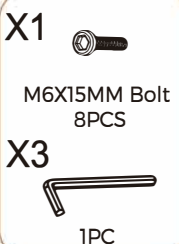
Note:

② First, install C1 to C, then install U into C1 as shown. Second, install U into B1, and then install B1 to B. (Please refer to step 2 for the positions of B and C)”



③ First, install E1 to E, then install U into E1 as shown. Second, install U into D1, and then install D1 into D. (Please refer to step 2 for the positions of D and E)”

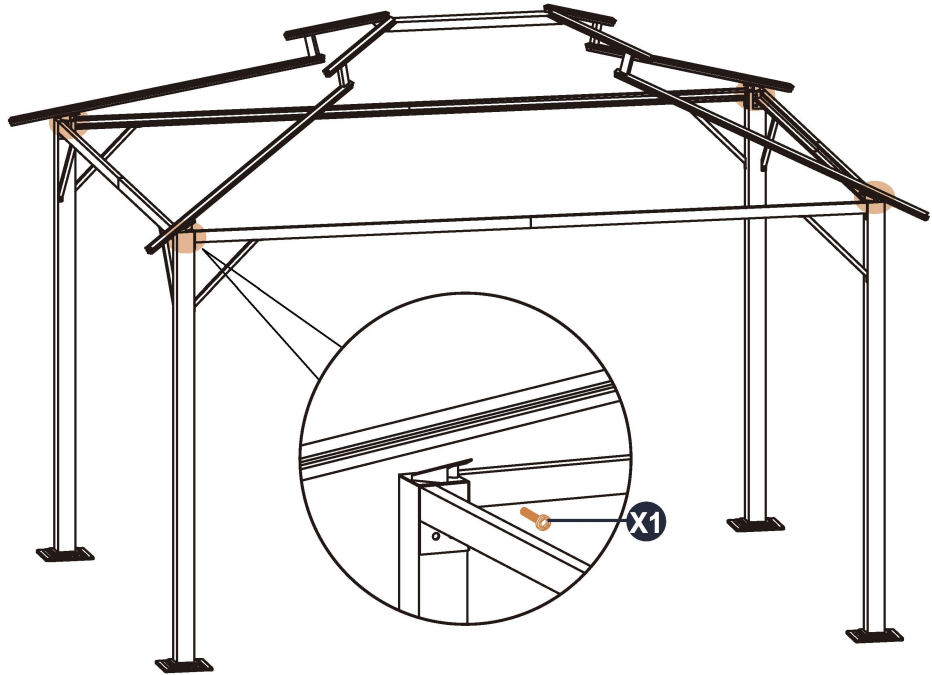
STEP 4



GAZEBO

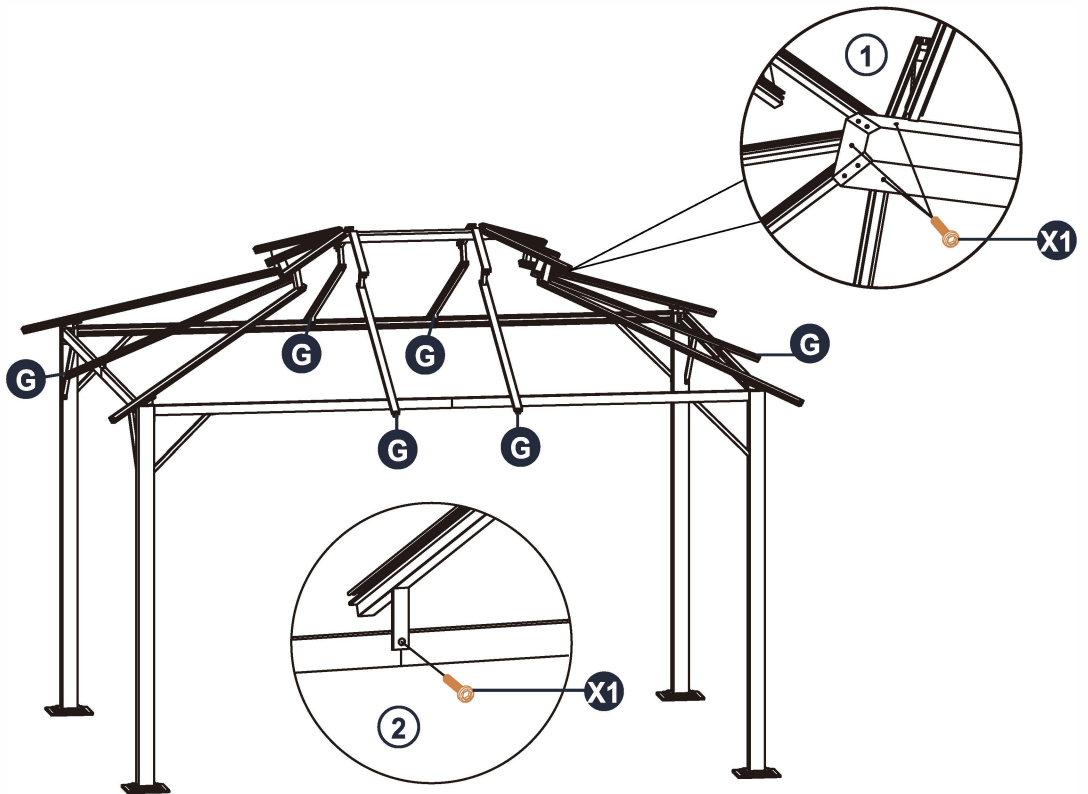
STEP 5

- X1 
M6X15MM Bolt
4PCS
- X3 
1PC



STEP 6

- X1 
M6X15MM Bolt
12PCS
- X3 
1PC



GAZEBO

STEP 7

X1

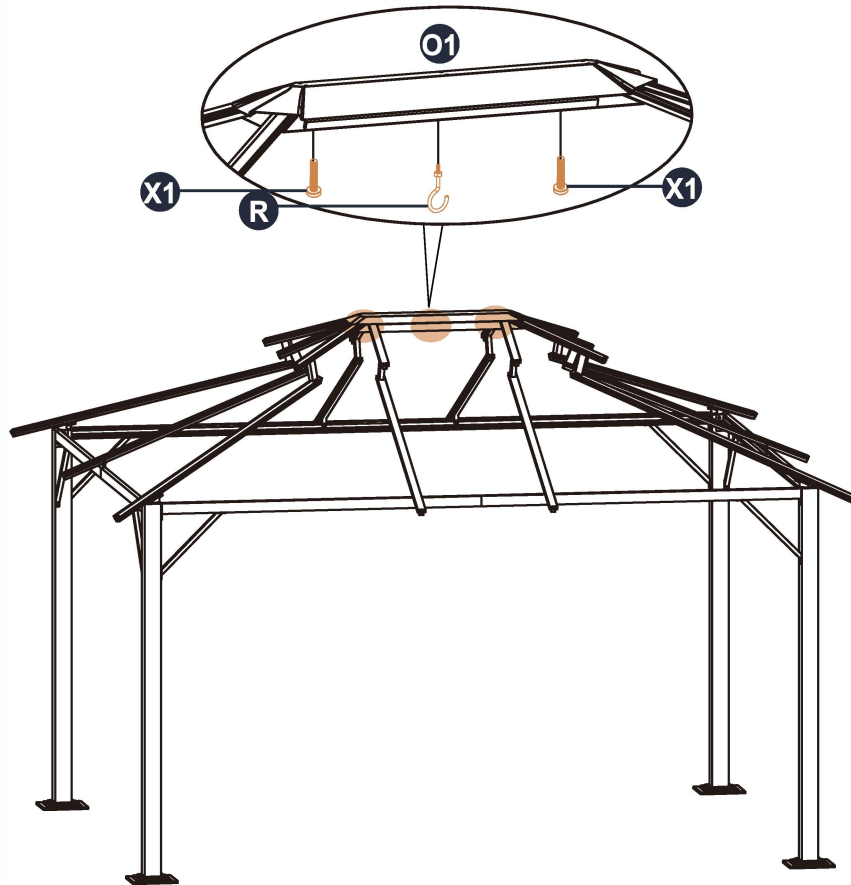


M6X15MM Bolt
2PCS

X3



1PC



STEP 8

X1

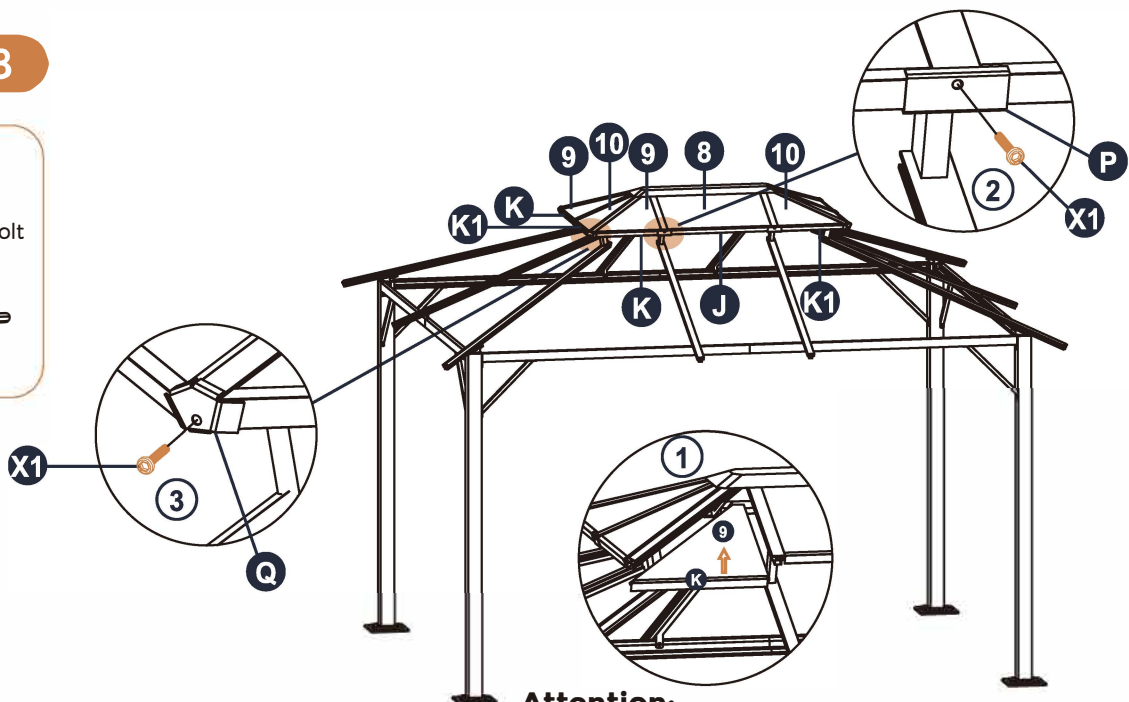


M6X15MM Bolt
10PCS

X3



1PC



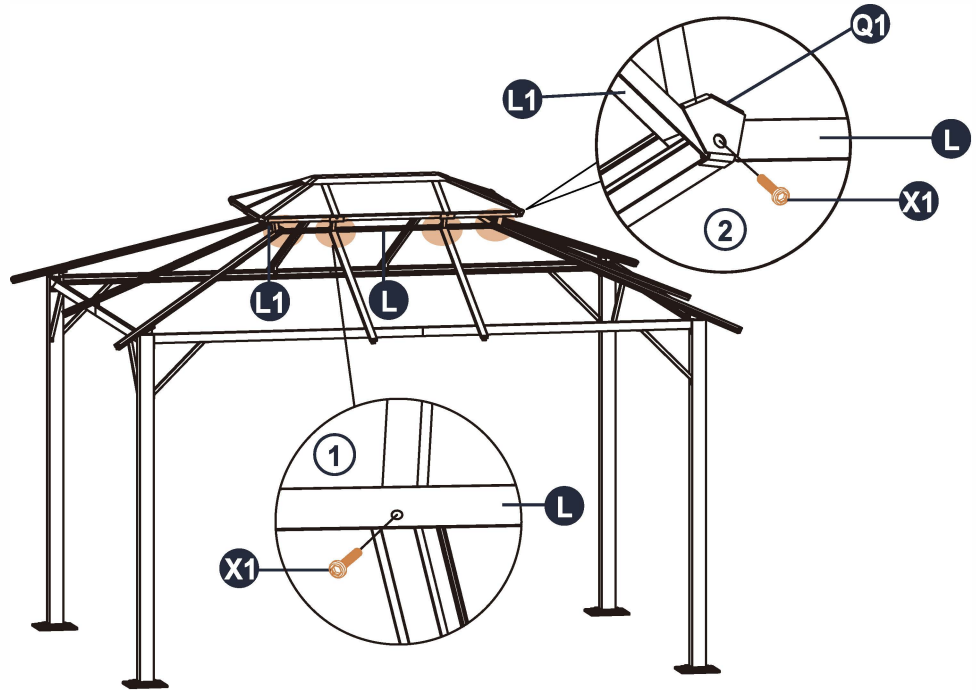
Attention:

The Polycarbonate board has a protective film; please tear it off before installation.

GAZEBO

STEP 9

- X1  M6X15MM Bolt 10PCS
- X3  1PC

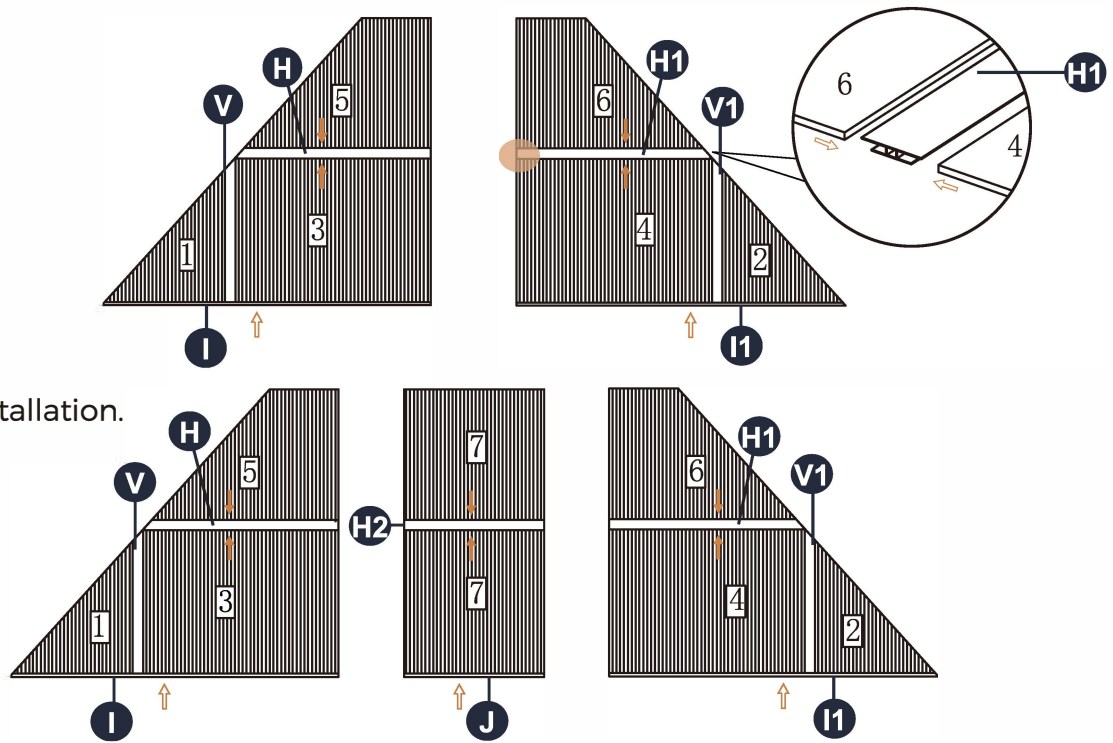


STEP 10

Note:

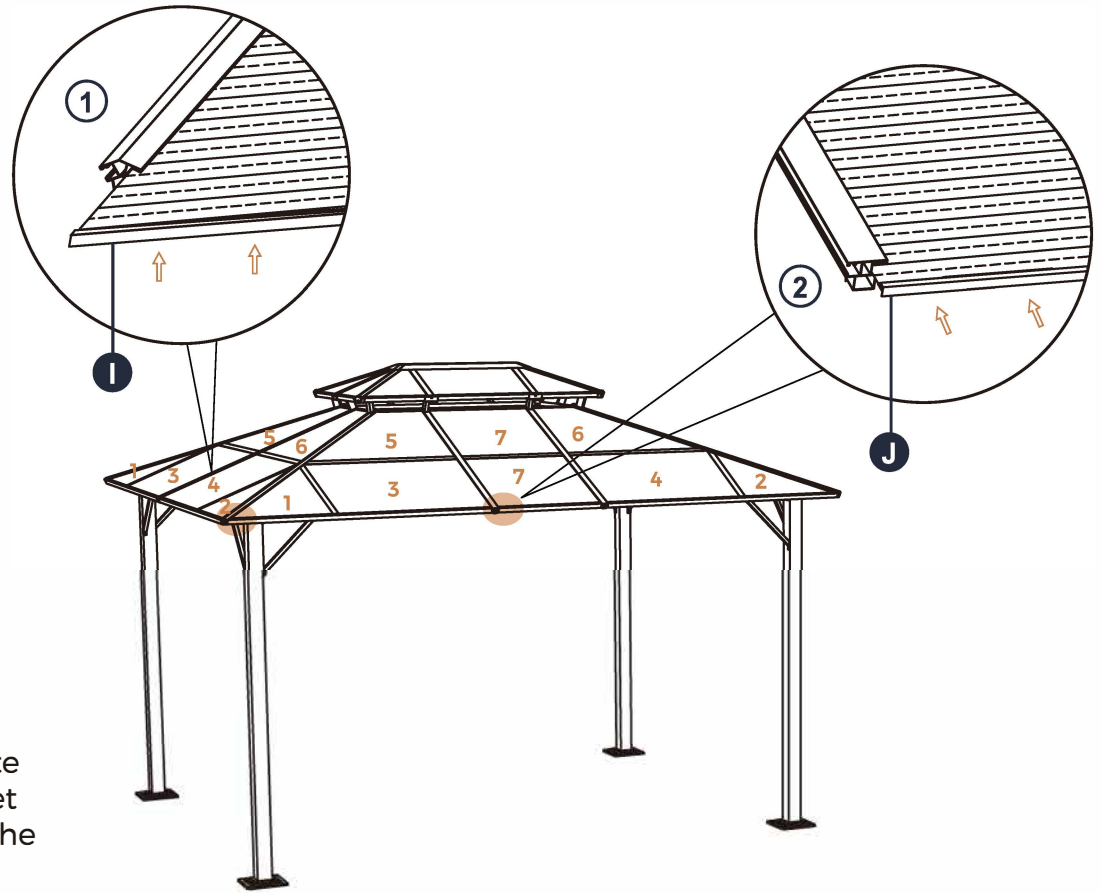
① Please fully insert the polycarbonate board into the card strip to ensure a complete seal.

② Keep each side as flat as possible for a smoother installation.



GAZEBO

STEP 11




Attention :

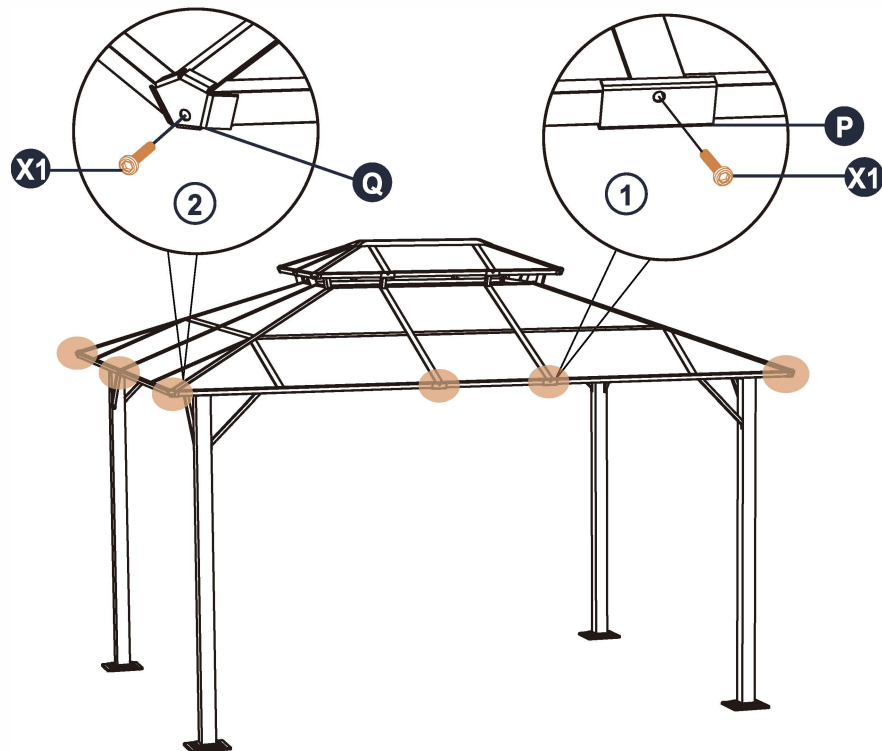
If you to have difficulty inserting the polycarbonate board, you can use a mallet to gently tap the edge of the board to help ease it in.

STEP 12

X1

M6X15MM Bolt
10PCS

X3

1PC



GAZEBO

COMPLETE

