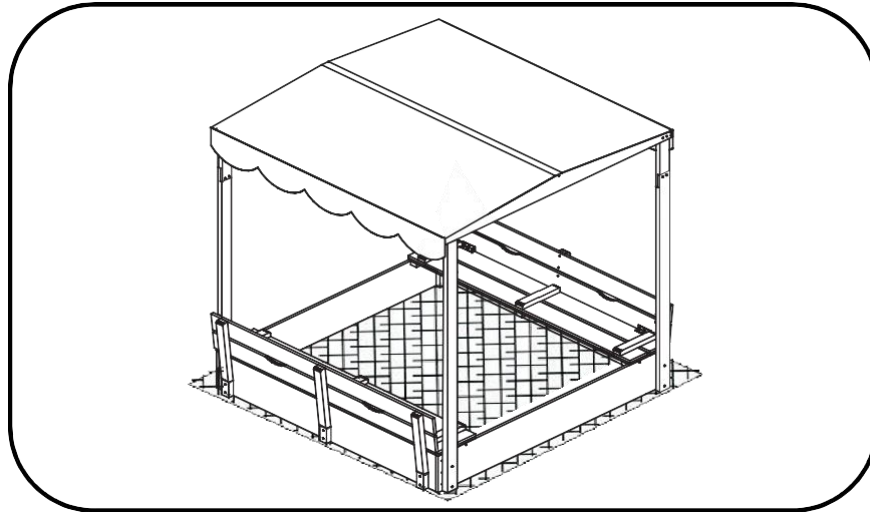


# Canopy Cedar Sandbox



## Assembly Instructions

**Product Dimensions:  
46.5" L x 46.5" W x 57" H**

Please take a moment to read through the entire instruction booklet before assembly to familiarize yourself with this product. Once you feel ready to start, follow the instructions step by step and this should make this process as easy as we could make it for you.

=

**WARNING**



**CAUTION**

**ADULT ASSEMBLY REQUIRED**

**CHOKING HAZARD**

- This product includes small parts, sharp points and sharp edges in its unassembled state. Keep unassembled parts away from children under 3 years of age, & animals.
- If used improperly, your sandbox canopy may be pulled over or fall, creating risk of injury or damage. Children should not be permitted to climb or pull on the sandbox or canopy.

**USE AND MAINTENANCE**

- Use on level surfaces only
- Because this product needs assembly, it is prone to working itself loose from time to time depending on the use. Please take the time to check that all connections are still tight and working properly for safety.
- Only clean using a damp cloth and mild detergent, do not use bleach or abrasive cleaners.

**PARENTAL SUPERVISION IS REQUIRED**

- This Naomi Home Kids product is intended for child use age 3+.
- Parents or Guardians should supervise use under the intended age specifically regarding children that may have access to it and might climb on the unit.

**ASSEMBLY RECOMMENDATIONS**

- Check you have all the components and tools listed on page 2 and 3.
- Do not stand or put weight on this product during assembly, this could cause damage.
- Remove all hardware from the plastic bags and separate them into their groups.
- Assemble the item as close to its final position (in the same room) as possible.
- Assemble on a soft level surface to avoid damaging the unit or your floor.
- Make sure you have enough space to layout the parts before starting.
- Parts of the assembly may be easier with 2 people.
- Dispose of all packaging carefully and responsibly.
- Do not use this item if any components are missing or damaged.
- We do not recommend the use of power drill/drivers for inserting screws, as this could damage the unit. Only use hand screwdrivers.

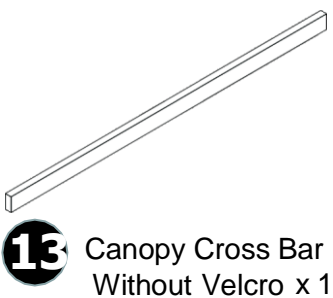
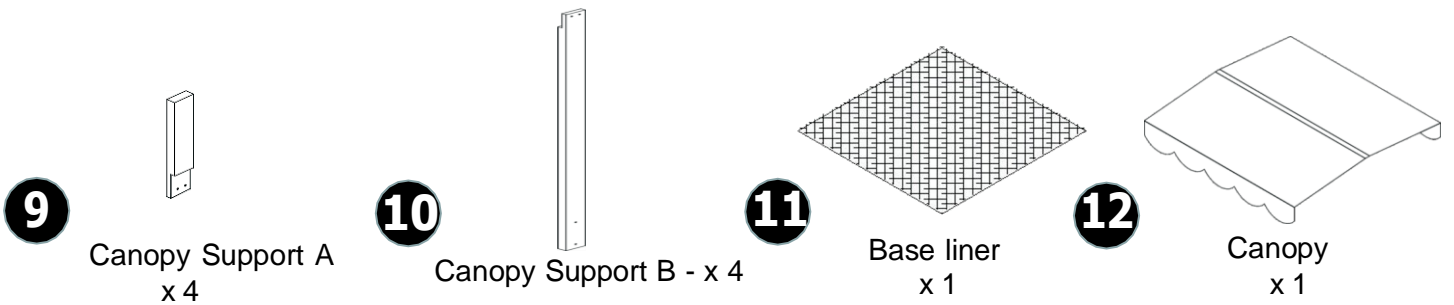
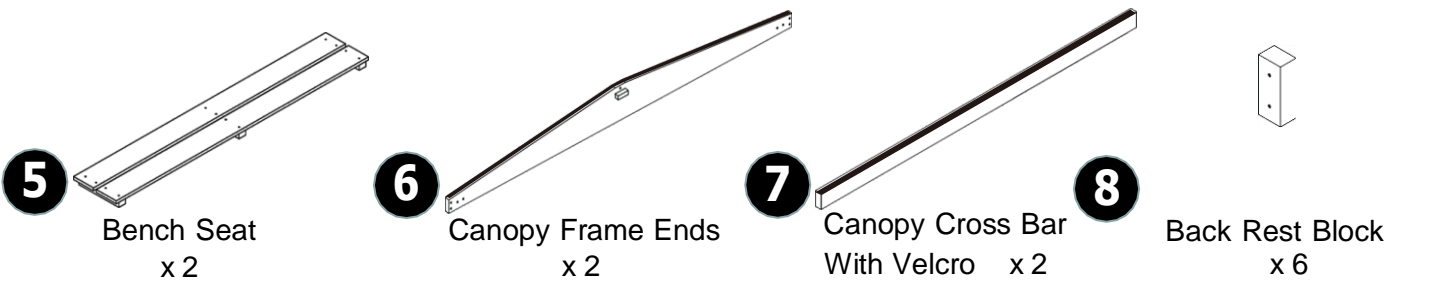
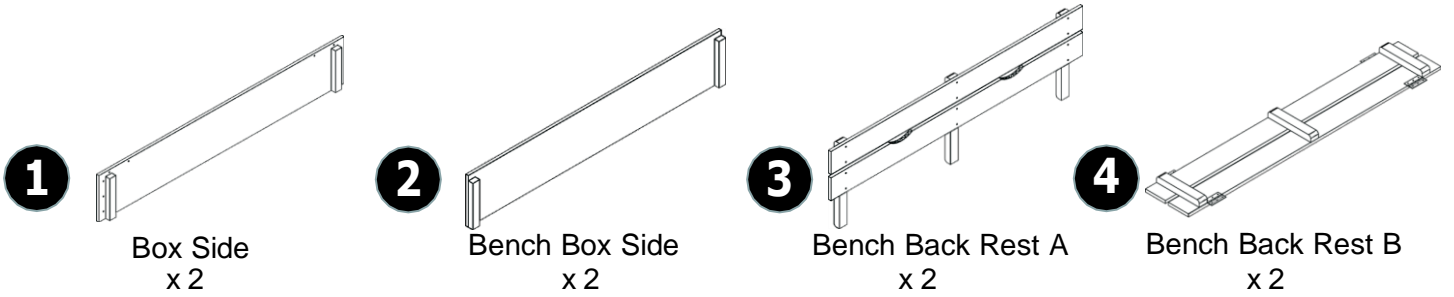
**Tools Required**



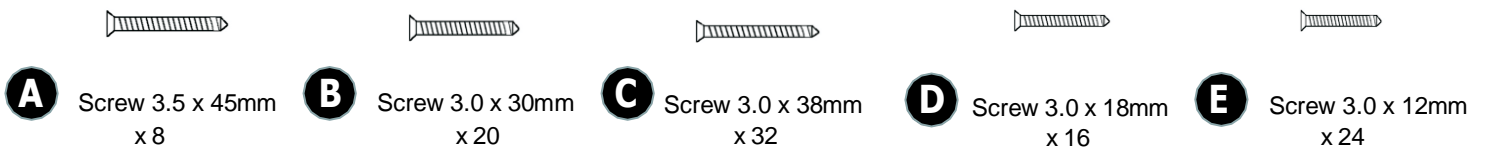
Phillips Screwdriver  
(Medium)

# COMPONENT PARTS

Please check that you have all the parts listed below



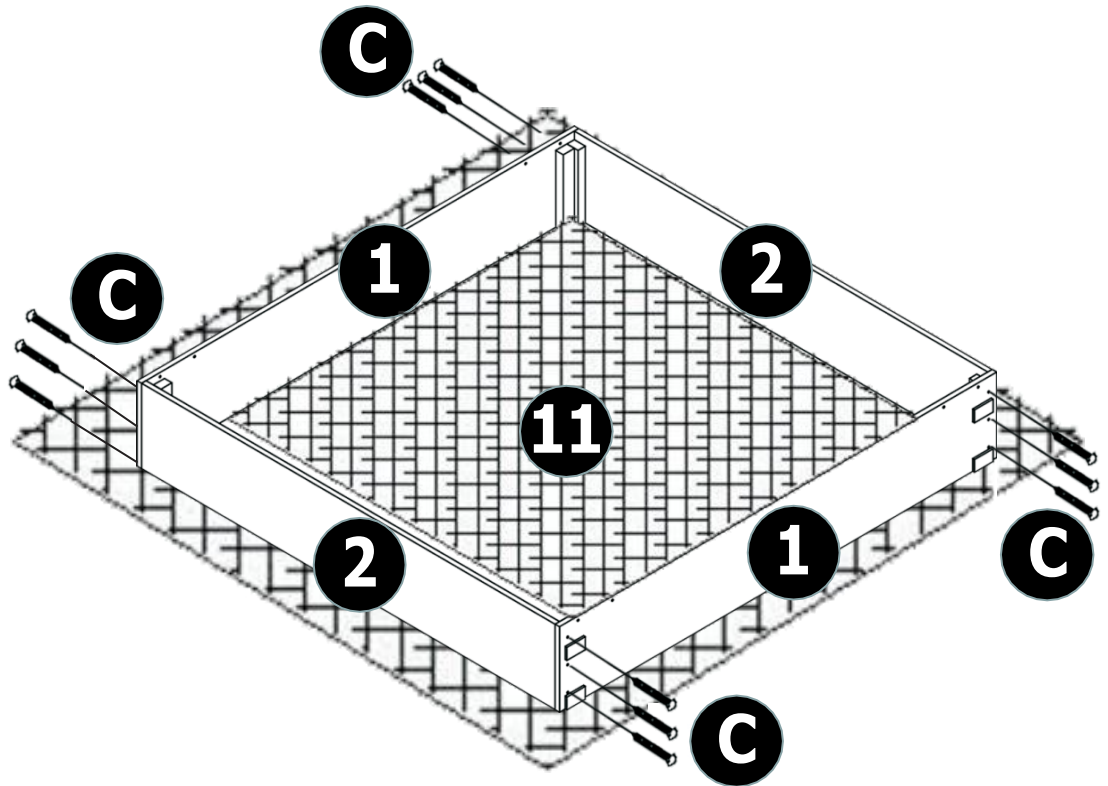
# ASSEMBLY HARDWARE



# ASSEMBLY INSTRUCTIONS

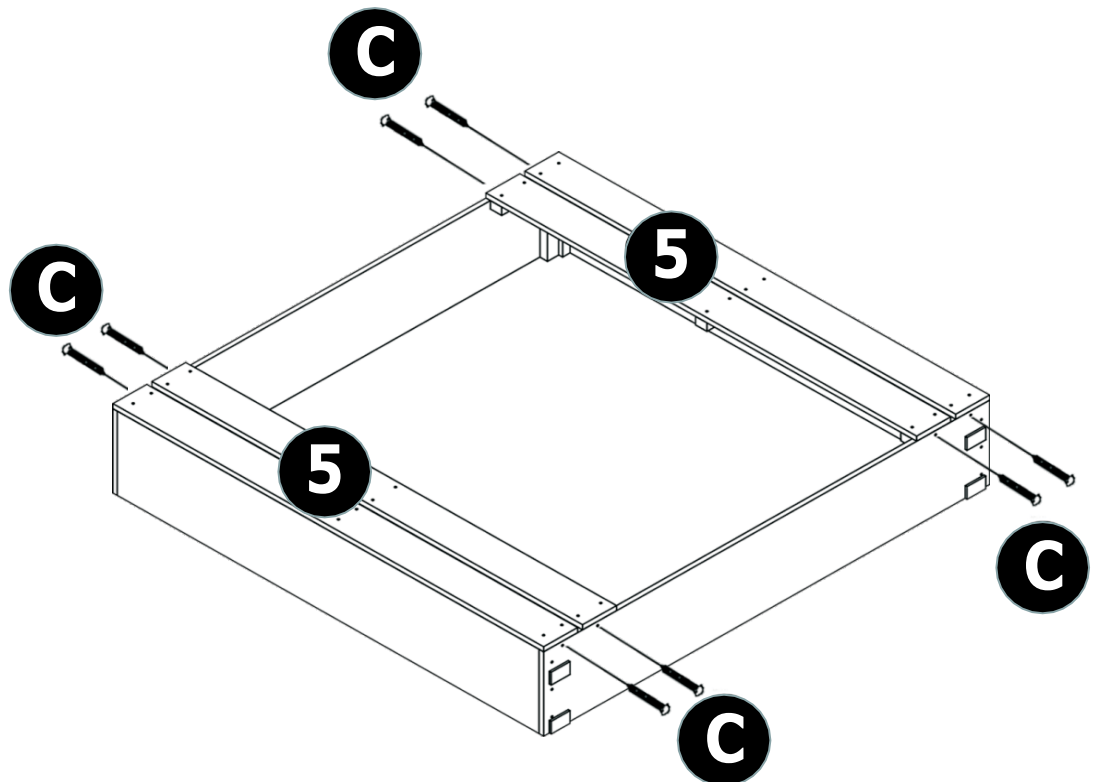
1

Place (11) down on ground where you intend to install sandbox. Do not Tear or Puncture liner. Select Part 1, 2, and C Screws (12). With wood block interior on 1, affix 2 to 1 with C screws. Repeat other 3 corners.



2

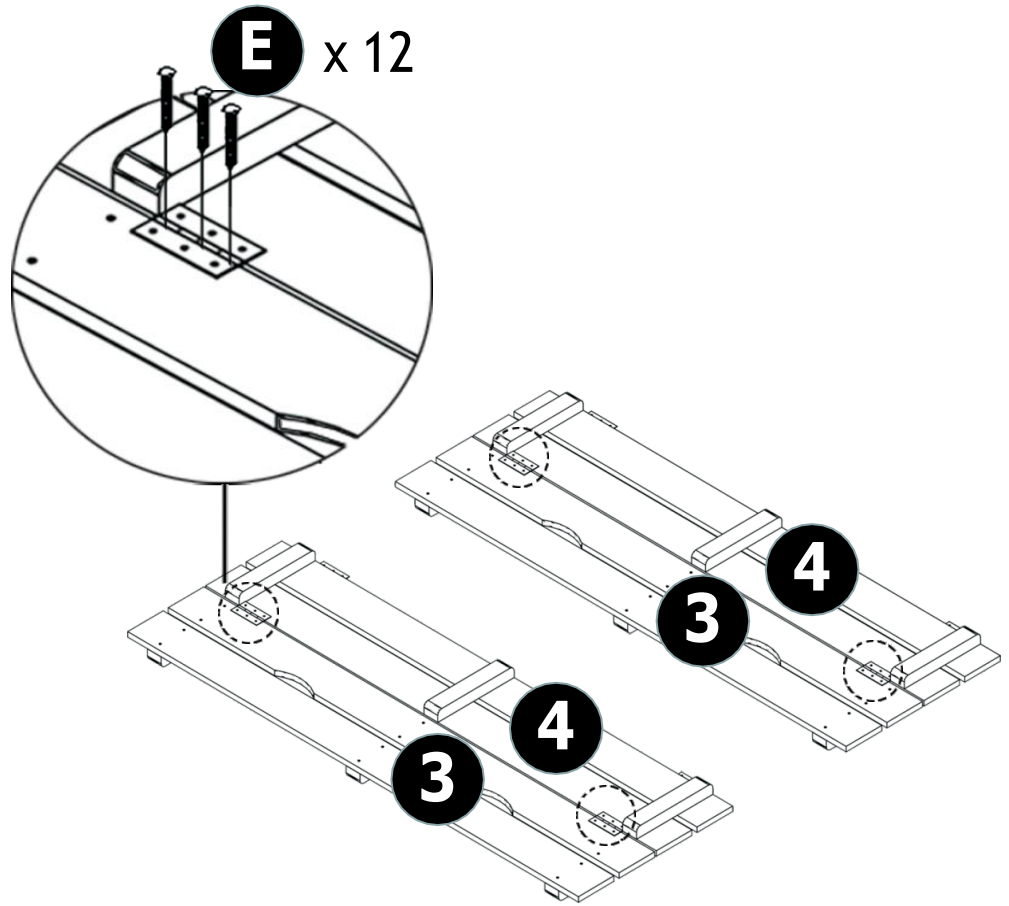
Select part 5, C Screws (8). Insert B screw through part 1 and affix 5 to part 1. Repeat for other 7 screws.



# ASSEMBLY INSTRUCTIONS

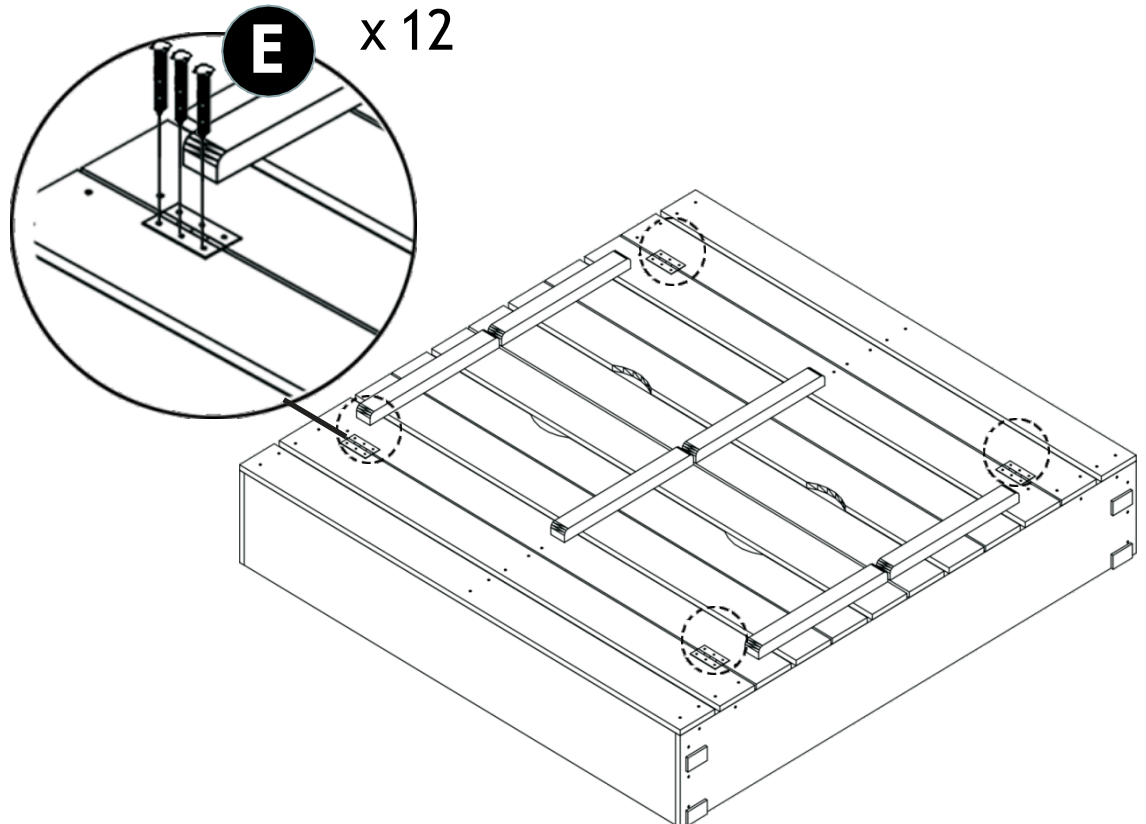
**3**

Select part 3, 4, and Screws E (12). Confirm part 4 is facing up and the widest support at the ends is up. Part 3 the supports are down and handle curve toward part 4. Insert (3) E screws through hinge holes and affix 3 to the hinge connected to part 4.



**4**

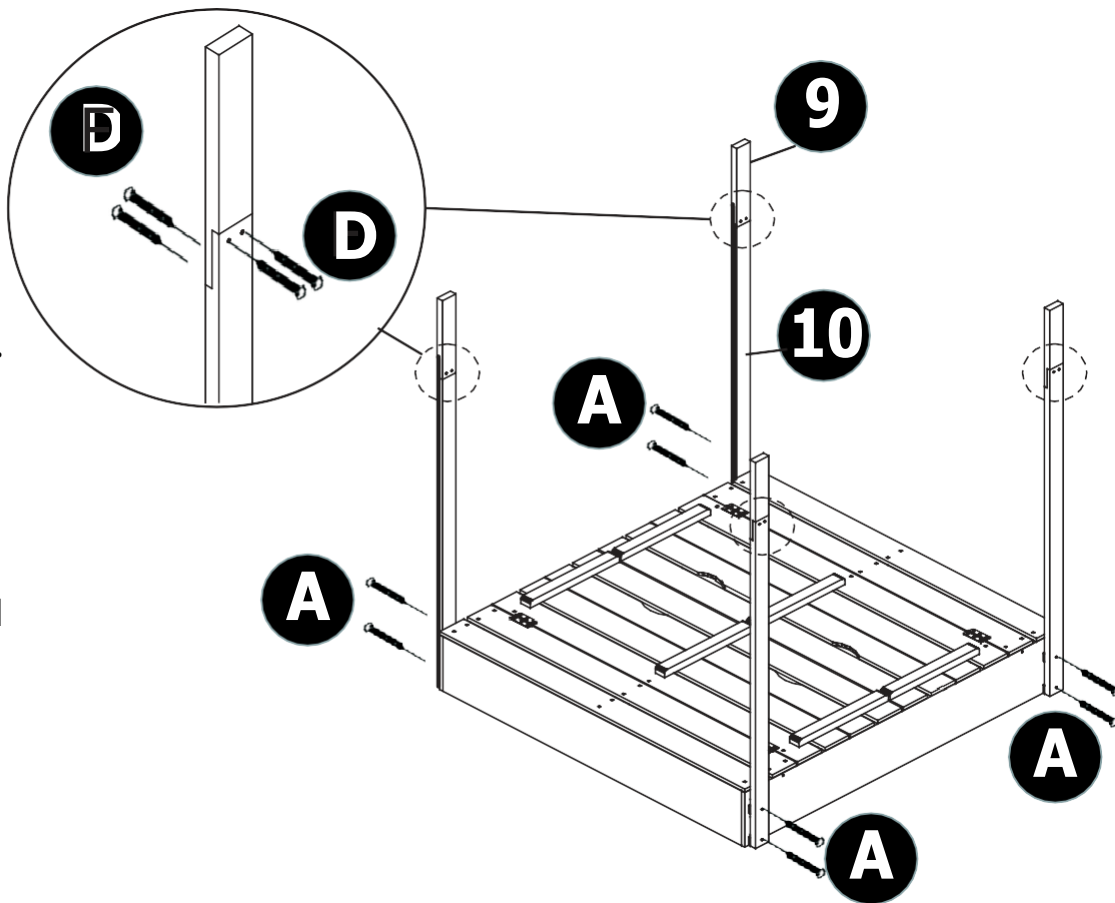
Select Screws E (12). Turn over assembly of 3 and 4 so the longest support is facing up. With the handle toward the center of the sandbox place the assembly on the sandbox. Affix the cover assembly door/bench too the sandbox with (3) Screws E through the hinge holes. Repeat 3 additional hinges.



# ASSEMBLY INSTRUCTIONS

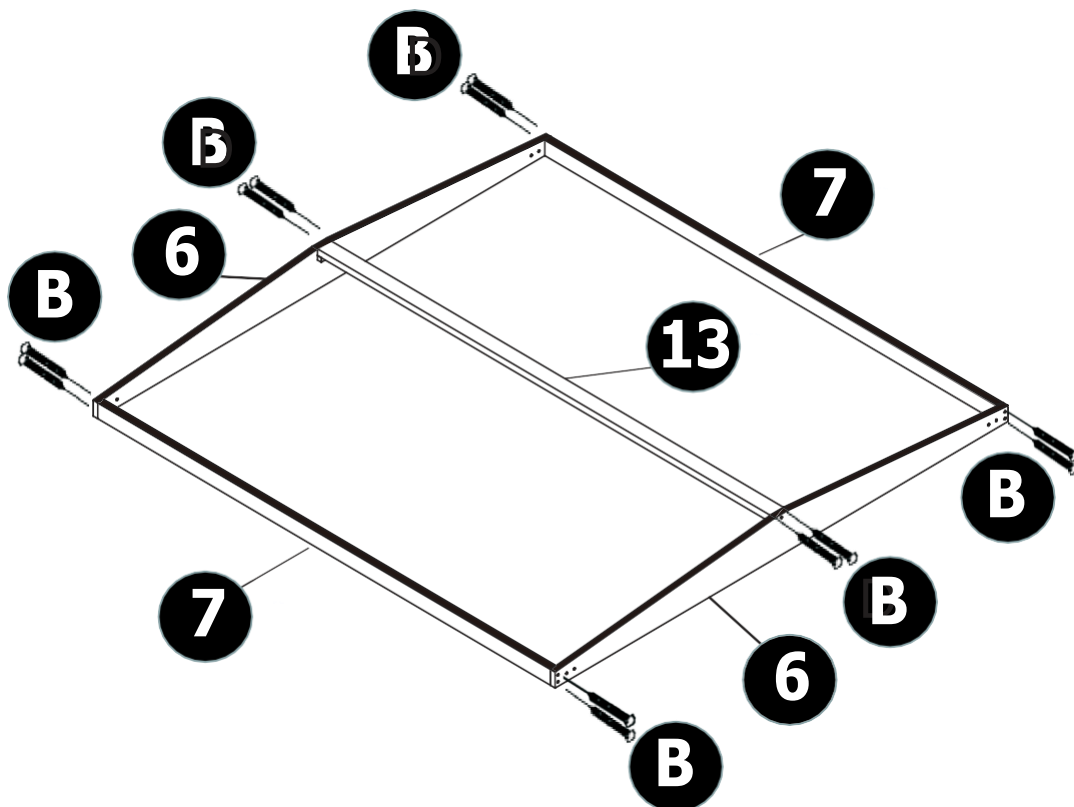
5

Select part 9, 10, D screws (4). Align 9 and 10 and insert 4 screws into holes and tighten. Repeat for other 3 9&10 assemblies. Select A Screws (8). Using 2 A Screws, select one canopy support with 9 UP and affix to the tabs on part 1 of the sandbox. Repeat for the additional 3 canopy supports.



6

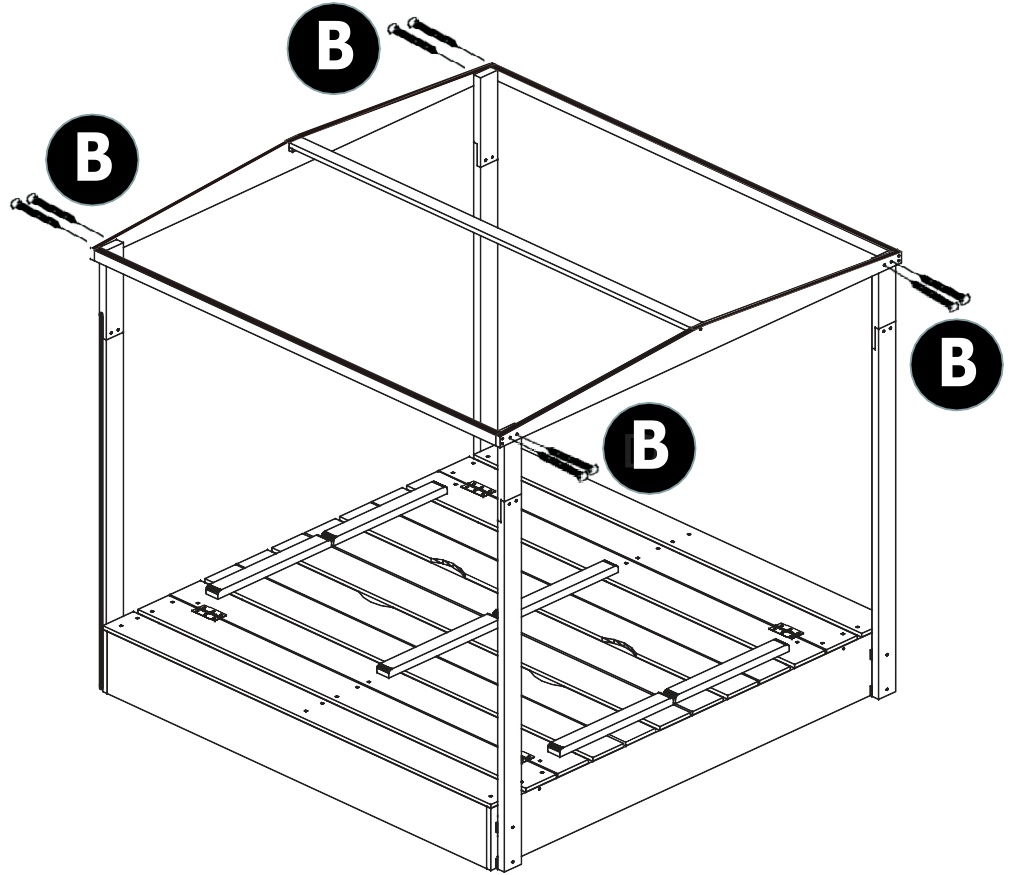
Select part 6 (2), 7 (2), 13(1) B Screws (10). Locate 13 (1) without velcro and rest 7 (2) on center tab of part 6 (1). Using (2) B Screws affix part 13 to the top center holes of part 6. Using 7 (1) (with velcro up), affix with (2) B screws at one end of 6 using the vertical screw holes. Repeat 7 (2), and (2) B screws at other end of 6 (1). Repeat for part 6 (2) on the opposing end of the assembly.



# ASSEMBLY INSTRUCTIONS

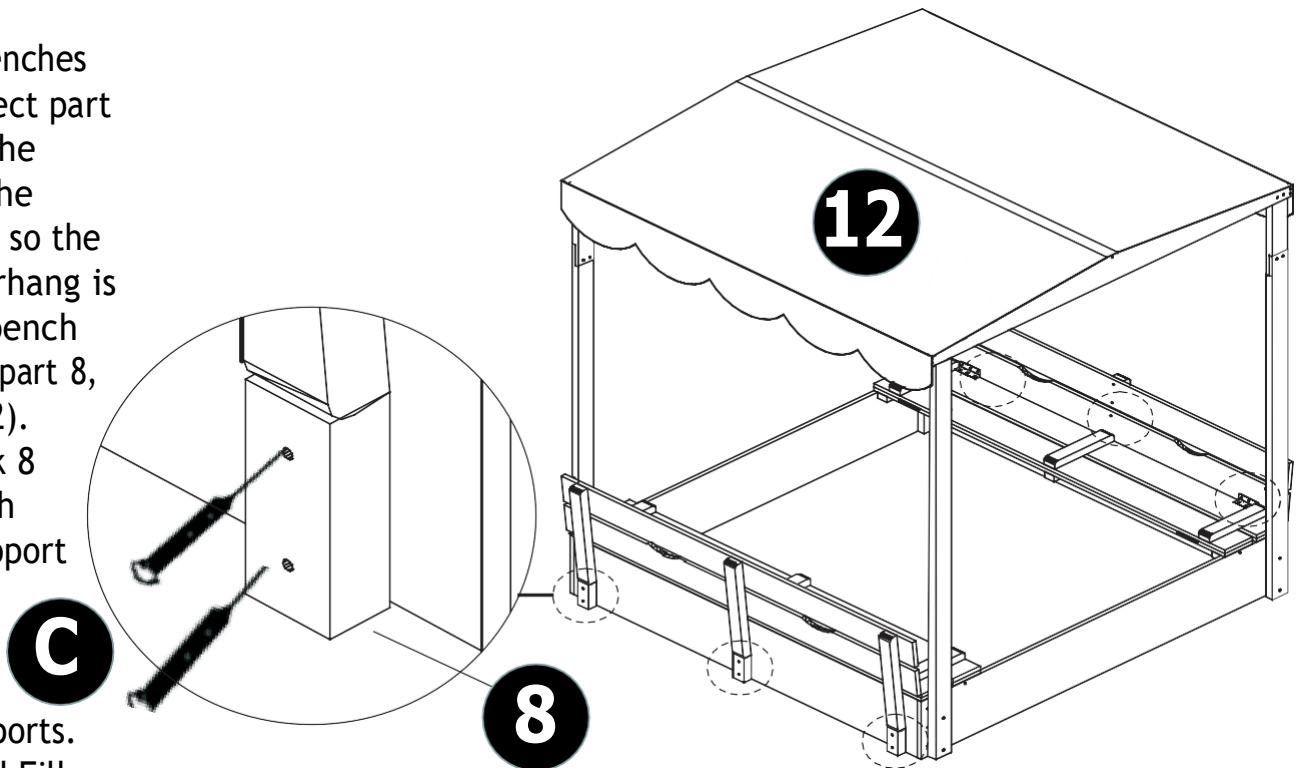
7

2 man lift. Select B Screws (8). Lift and hold canopy frame assembly and mount the frame assembly to the canopy pole supports with the pole on the interior of the canopy frame. Mount one corner of the frame assembly with the horizontal holes and 2 B Screws. Repeat for the support diagonal from the first. Repeat for other 2 supports.

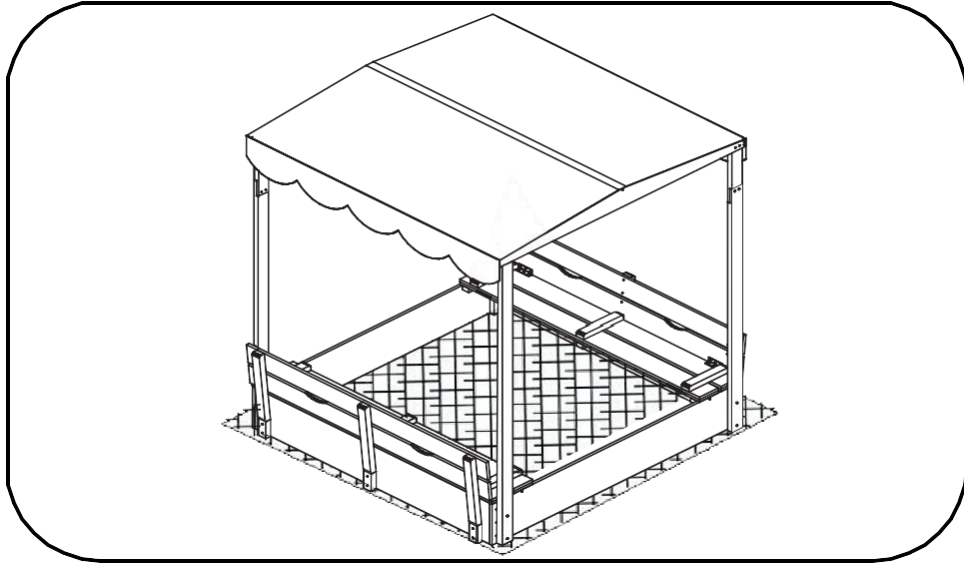


8

Raise the Benches upright. Select part 12. Mount the canopy to the velcro strips so the canopy overhang is above the bench seat. Select part 8, C Screws (12). Mount block 8 below bench backrest support with (2) C Screws. Repeat for 5 other supports. Recommend Fill with (5 to 6) 50 lb bags of play sand (not included).



# ASSEMBLY INSTRUCTIONS



**CONGRATULATIONS, YOUR SAND BOX IS COMPLETE!**