

# Installation Instructions

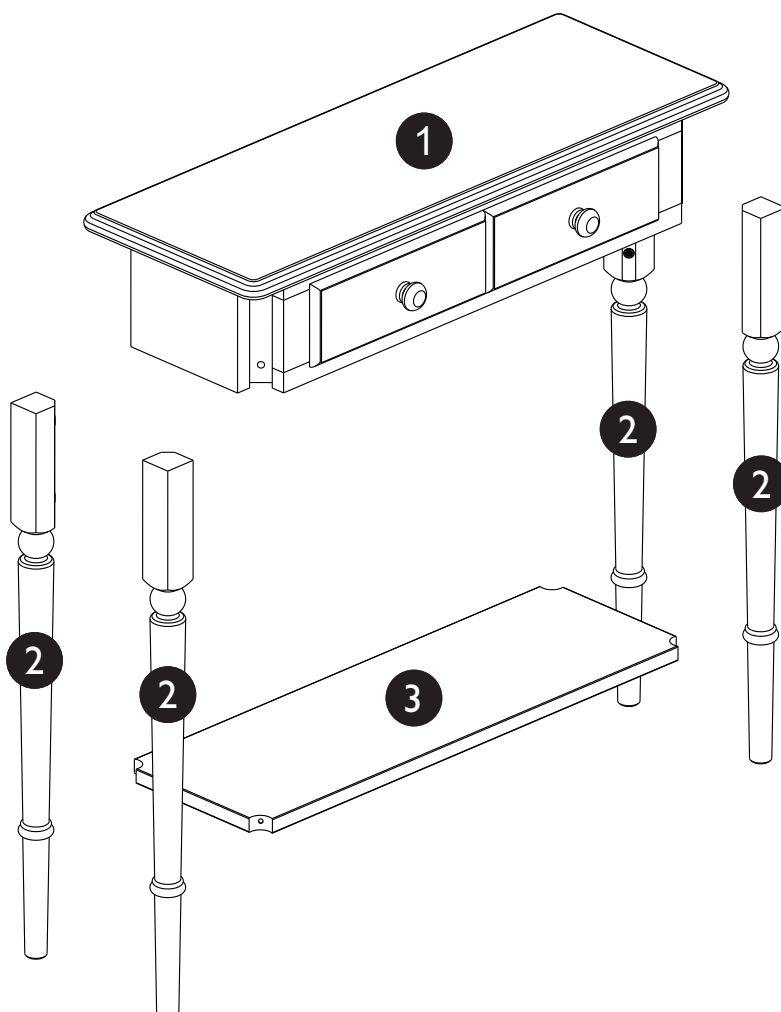
Hall Stand

---





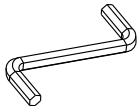
# PARTS INCLUDED

Please confirm all parts are available before starting assembly.



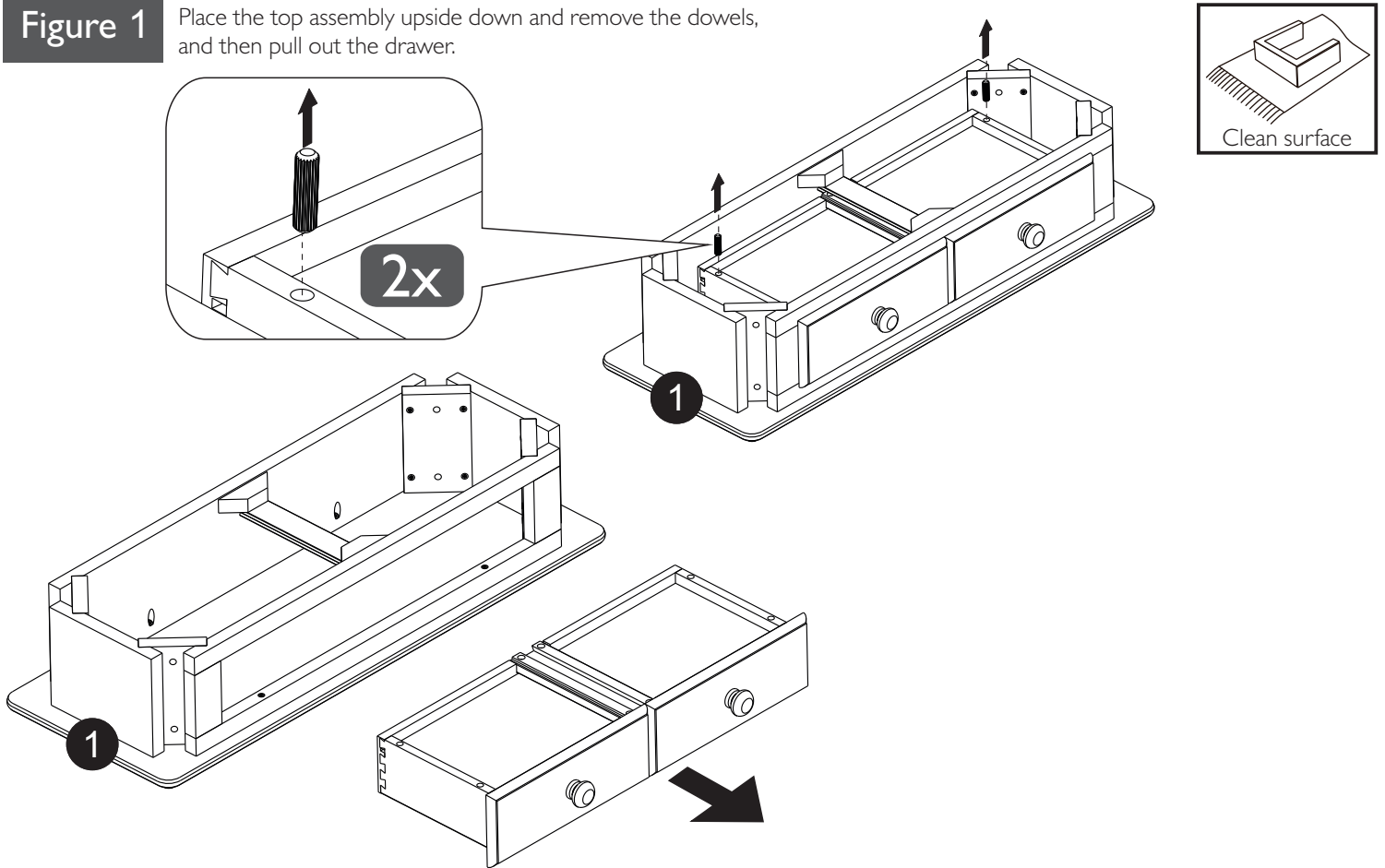
# HARDWARE INCLUDED

Please confirm all hardware are available before starting assembly.

Ref.		Qty.
<b>A</b>	 Bolts 1/4 x 40 mm	<b>8</b>
<b>B</b>	 Screw $\varnothing 4,5 \times 35$ mm	<b>4</b>
<b>C</b>	 Hex Key	<b>1</b>

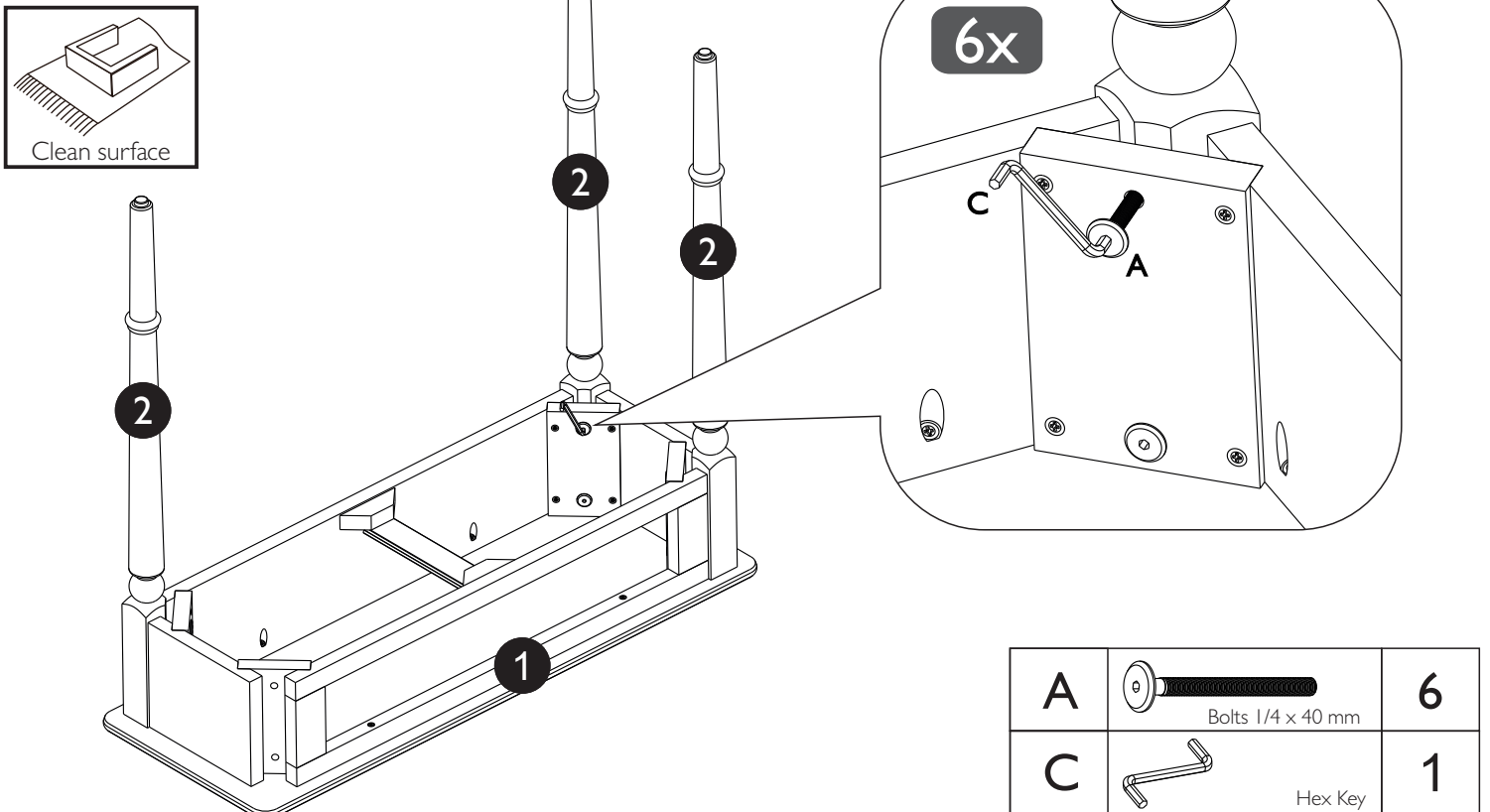
**Figure 1**

Place the top assembly upside down and remove the dowels, and then pull out the drawer.



**Figure 2**

Fasten the legs with ( 6 ) bolts ( A ) and hex key ( B ).




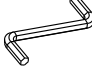
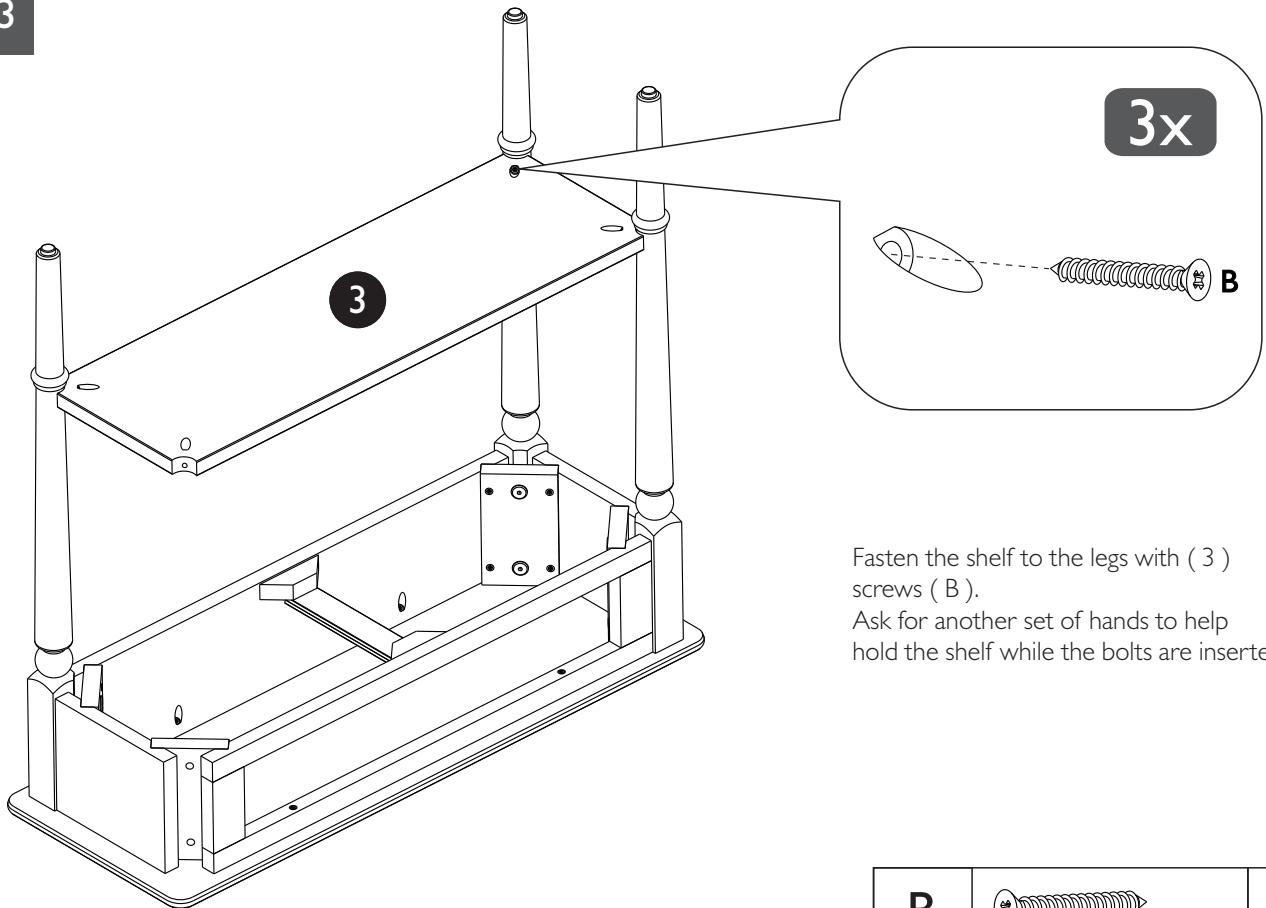
A	 Bolts 1/4 x 40 mm	6
C	 Hex Key	1

Figure 3



Fasten the shelf to the legs with ( 3 ) screws ( B ).  
Ask for another set of hands to help hold the shelf while the bolts are inserted.


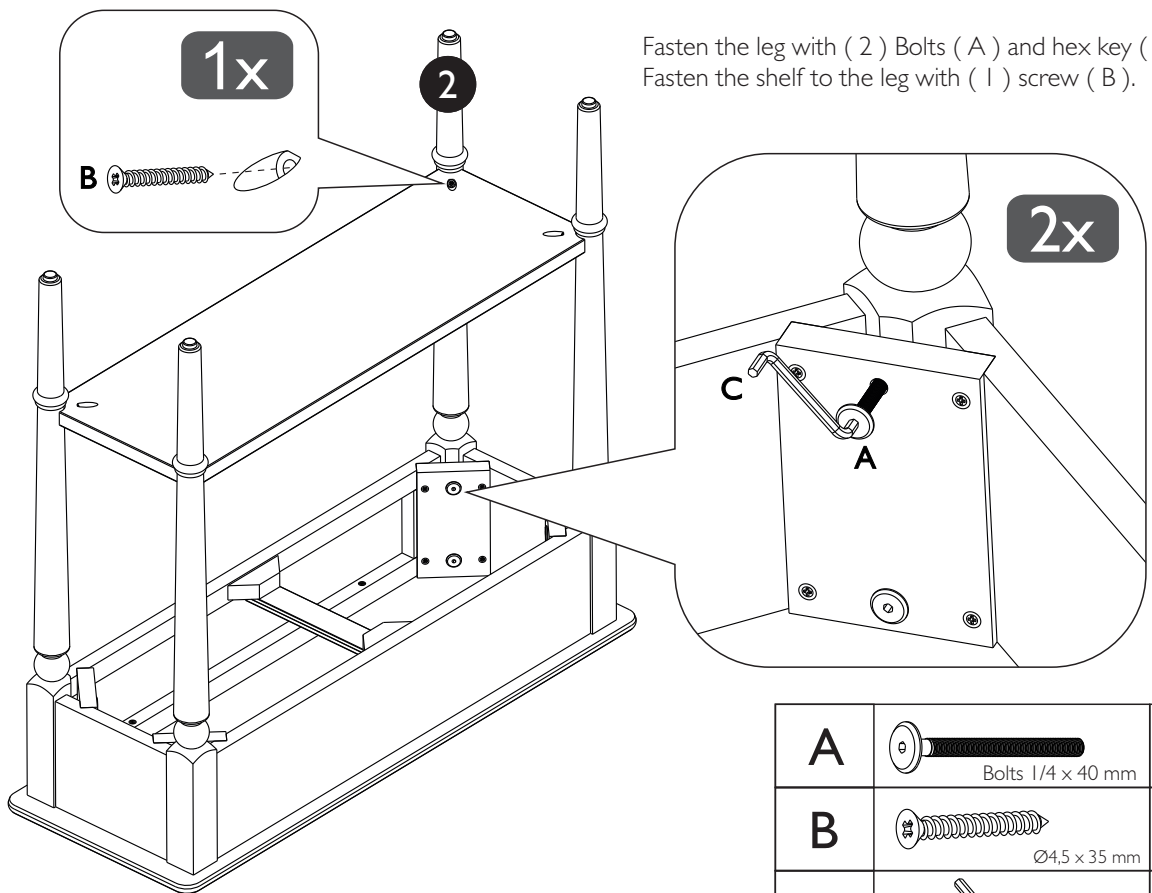



<b>B</b>	 Ø4,5 x 35 mm	<b>3</b>
----------	---	----------

Figure 4

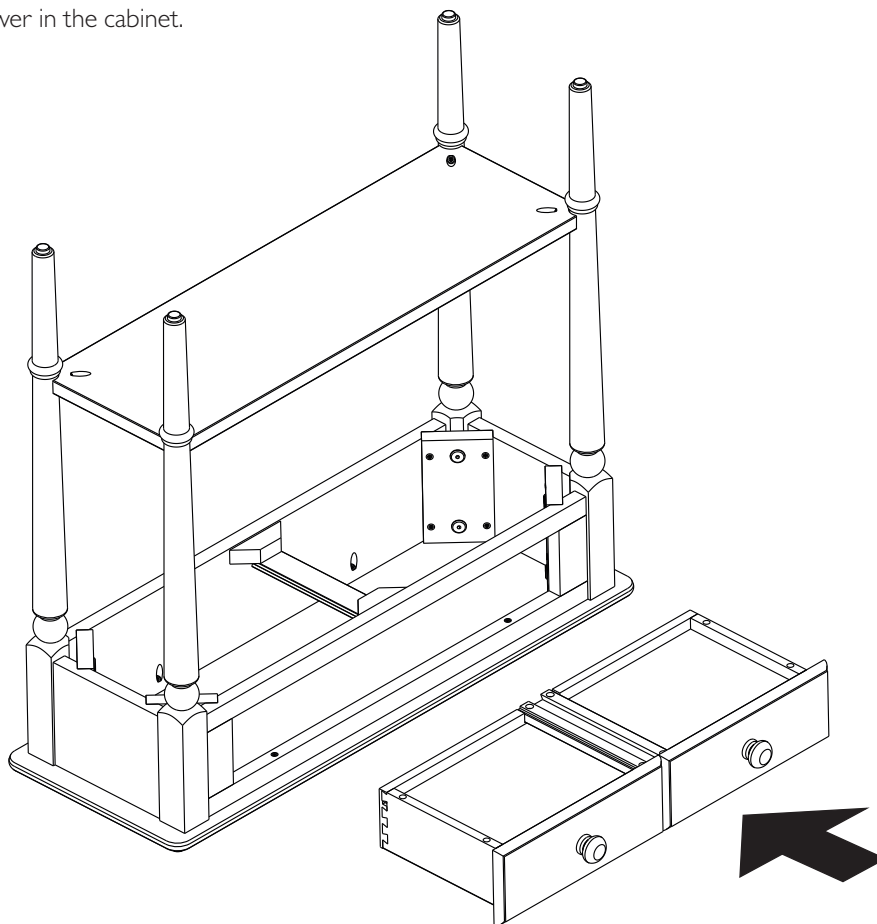


Fasten the leg with ( 2 ) Bolts ( A ) and hex key ( C ).  
Fasten the shelf to the leg with ( 1 ) screw ( B ).

<b>A</b>	 Bolts 1/4 x 40 mm	<b>2</b>
<b>B</b>	 Ø4,5 x 35 mm	<b>1</b>
<b>C</b>	 Hex Key	<b>1</b>

**Figure 5**

Place the drawer in the cabinet.



**Figure 6**

Insert the dowels into the holes to lock the drawer

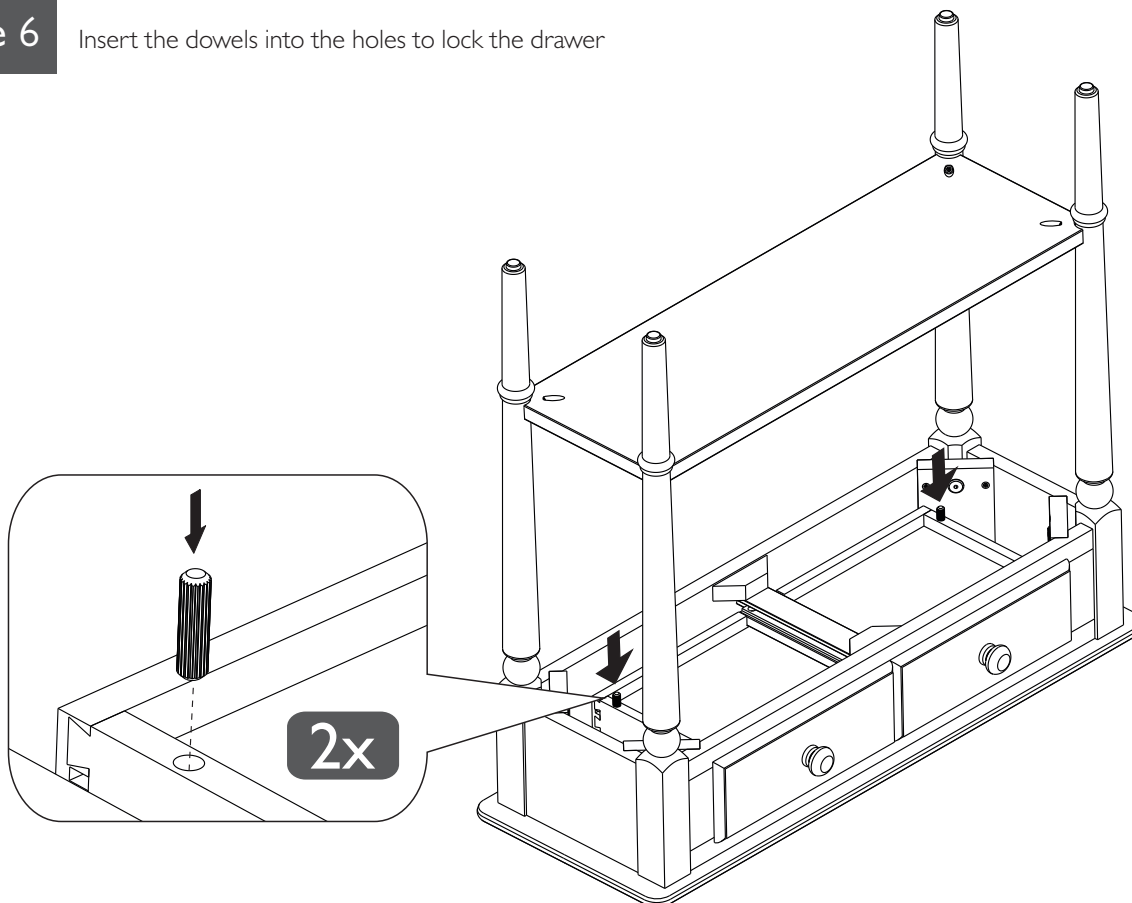


Figure 7



Final Assembly