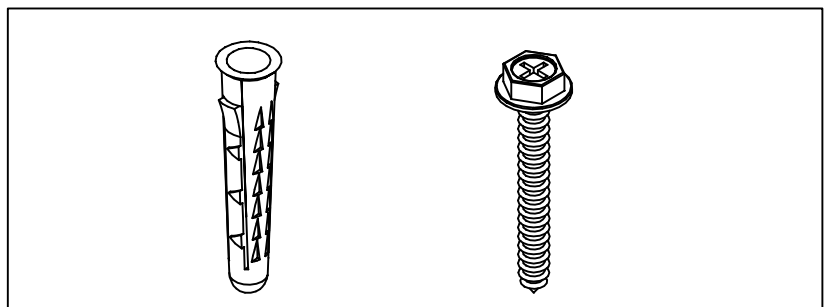


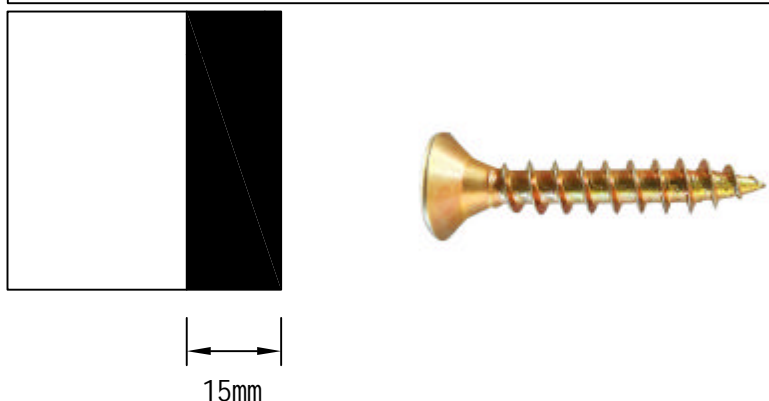
Installation wall requirements

Solid brick wall, load-bearing wall, fired hollow brick wall, wood board wall thickened insulation wall! It is not recommended to install gypsum board walls and thin plywood walls...!

1. For solid brick walls, load-bearing walls, and fired hollow brick walls, we are equipped with 10mm wall fittings



2. If it is a wooden wall (the thickness of the board needs to be at least 15 mm), please use spare screws.



Tools Included

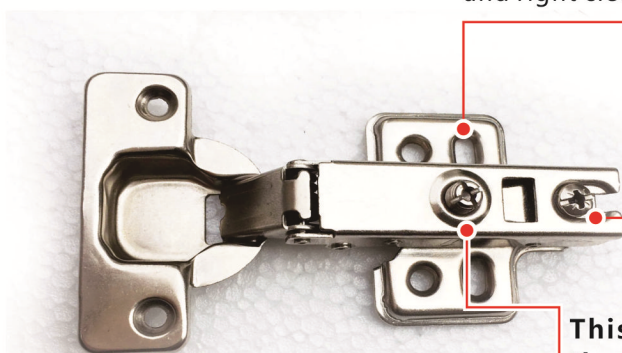


Tools Required



How to adjust the door hinge/hinge.

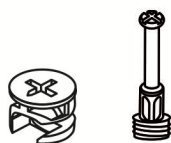
This screw of the door hinge can adjust the left and right clearance of the door



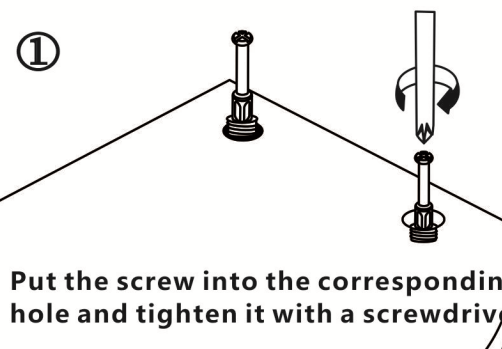
The screw on the door hinge can adjust the gap between the front and rear of the door panel and the side panel.

This screw on the door hinge can adjust the upper and lower clearance of the door panel.

Three-in-one fastener instructions

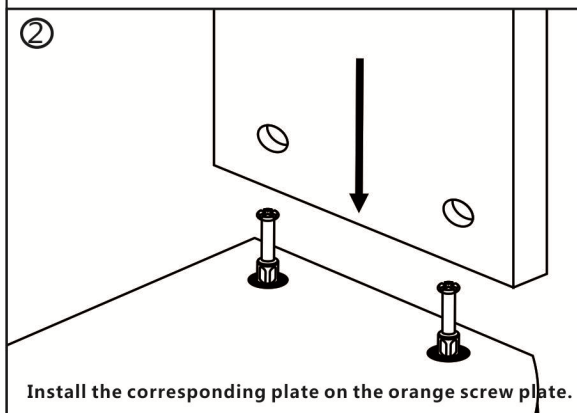


①



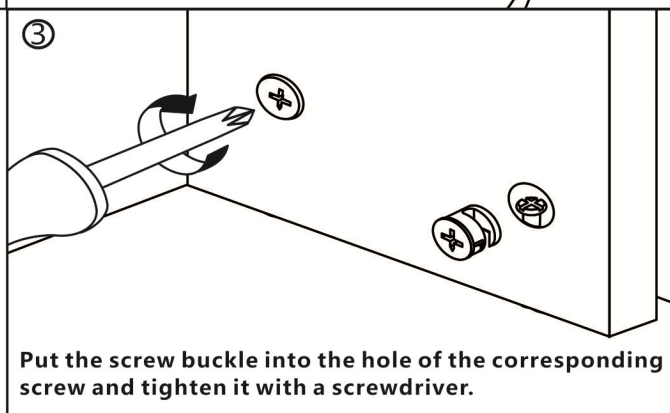
Put the screw into the corresponding hole and tighten it with a screwdriver.

②

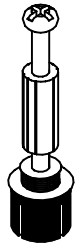


Install the corresponding plate on the orange screw plate.

③

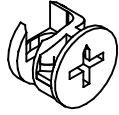


Put the screw buckle into the hole of the corresponding screw and tighten it with a screwdriver.



1001

63x



1002

63x



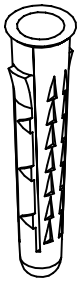
1003

20x



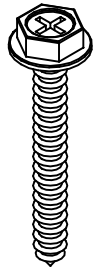
1004

3x



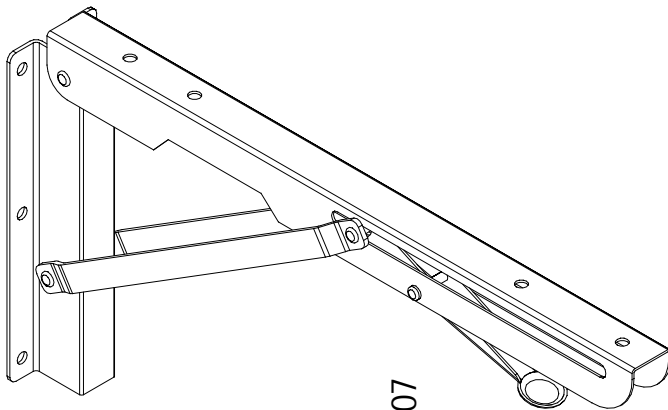
1005

12x



1006

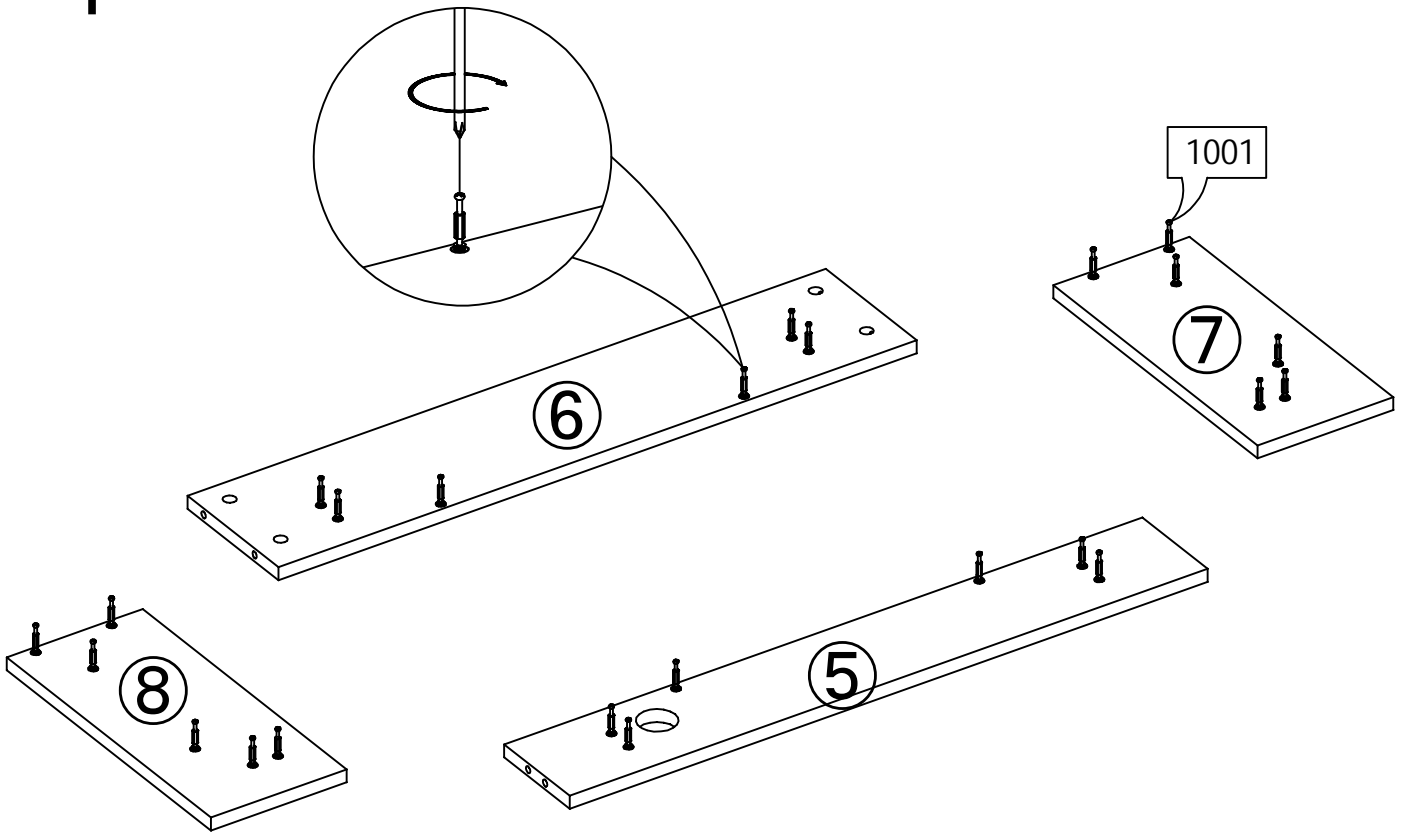
12x



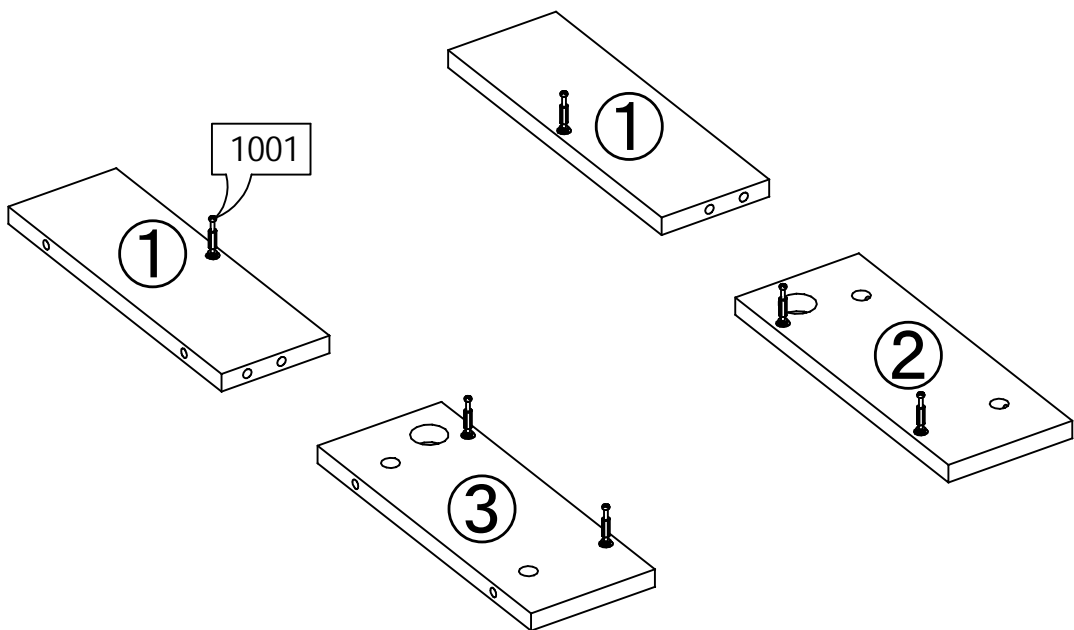
1007

2x

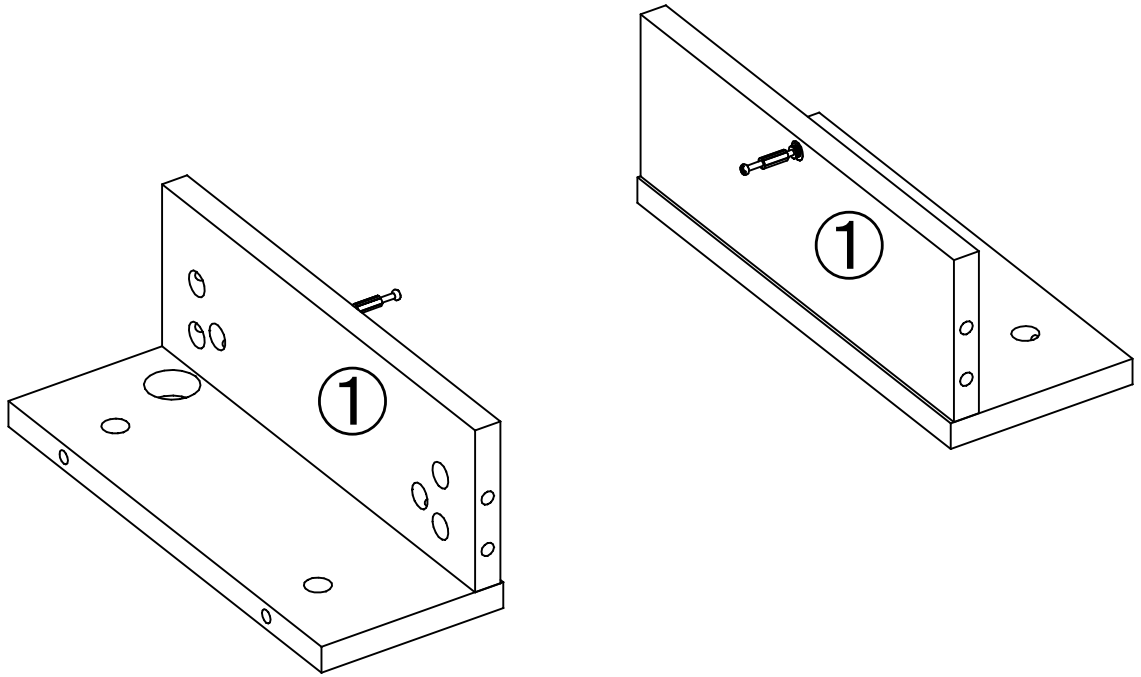
1



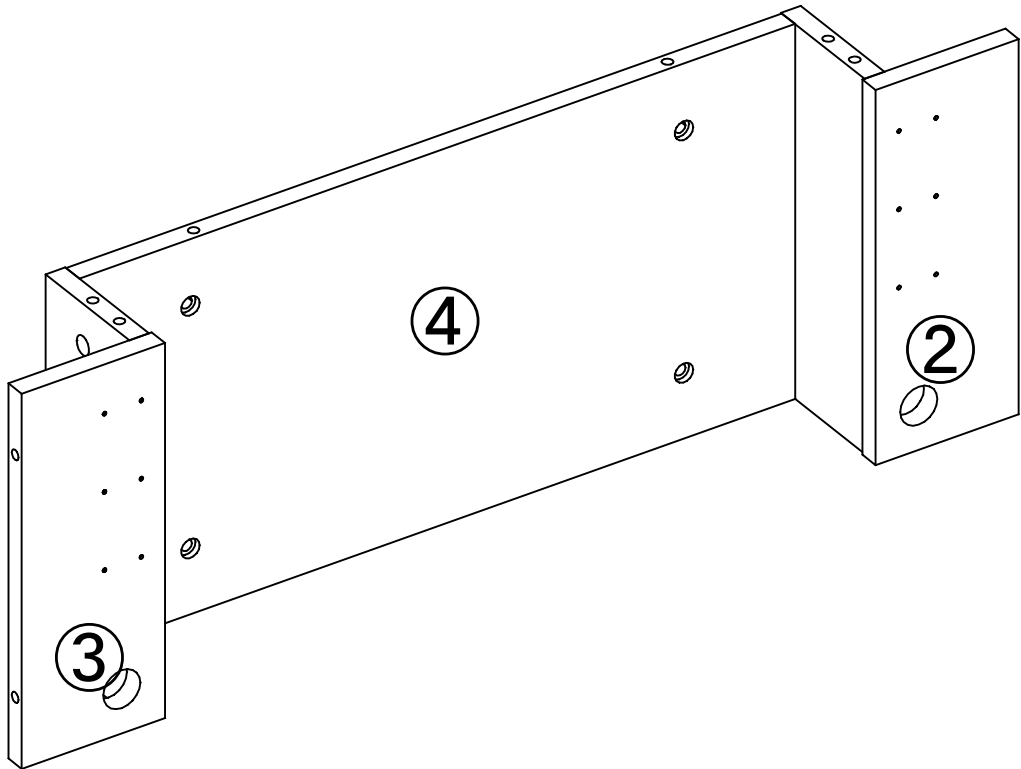
2



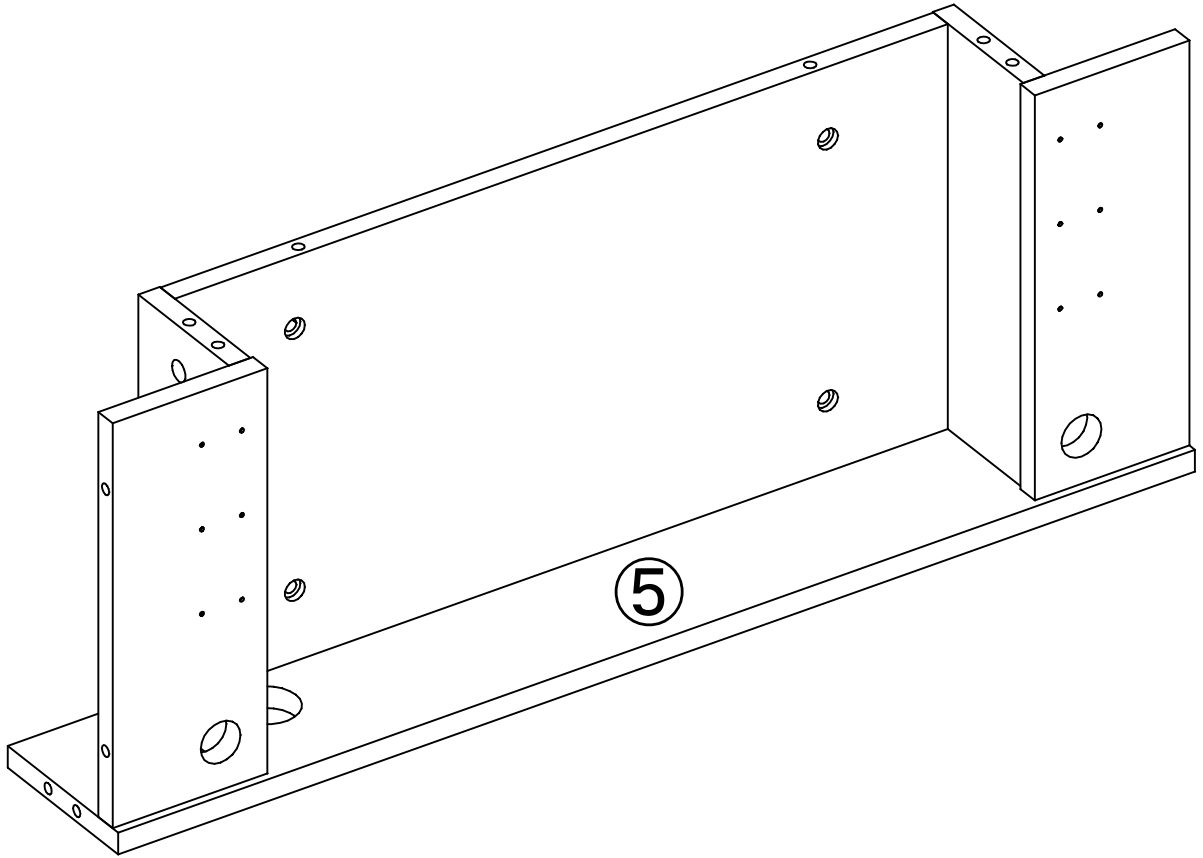
3



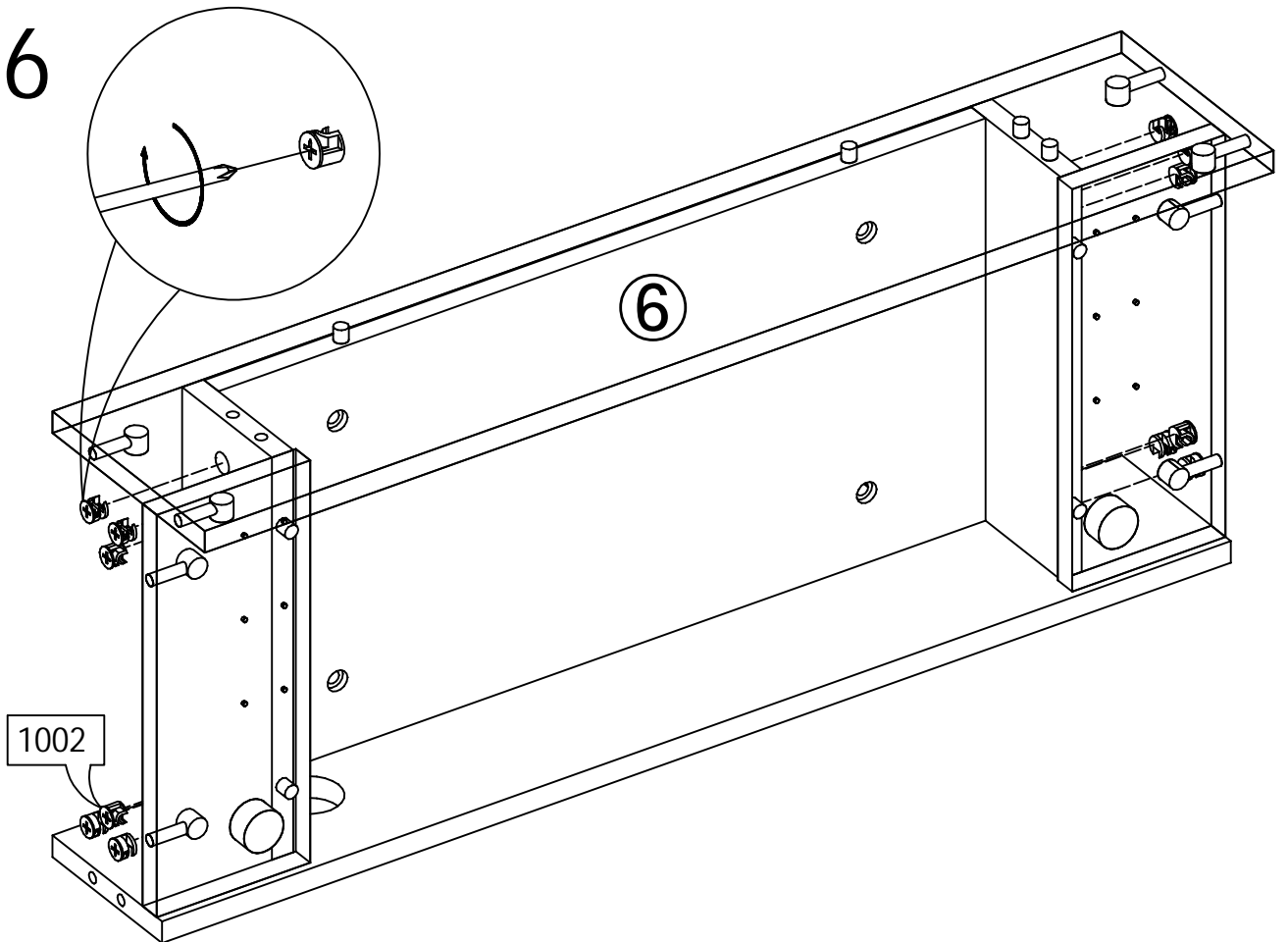
4



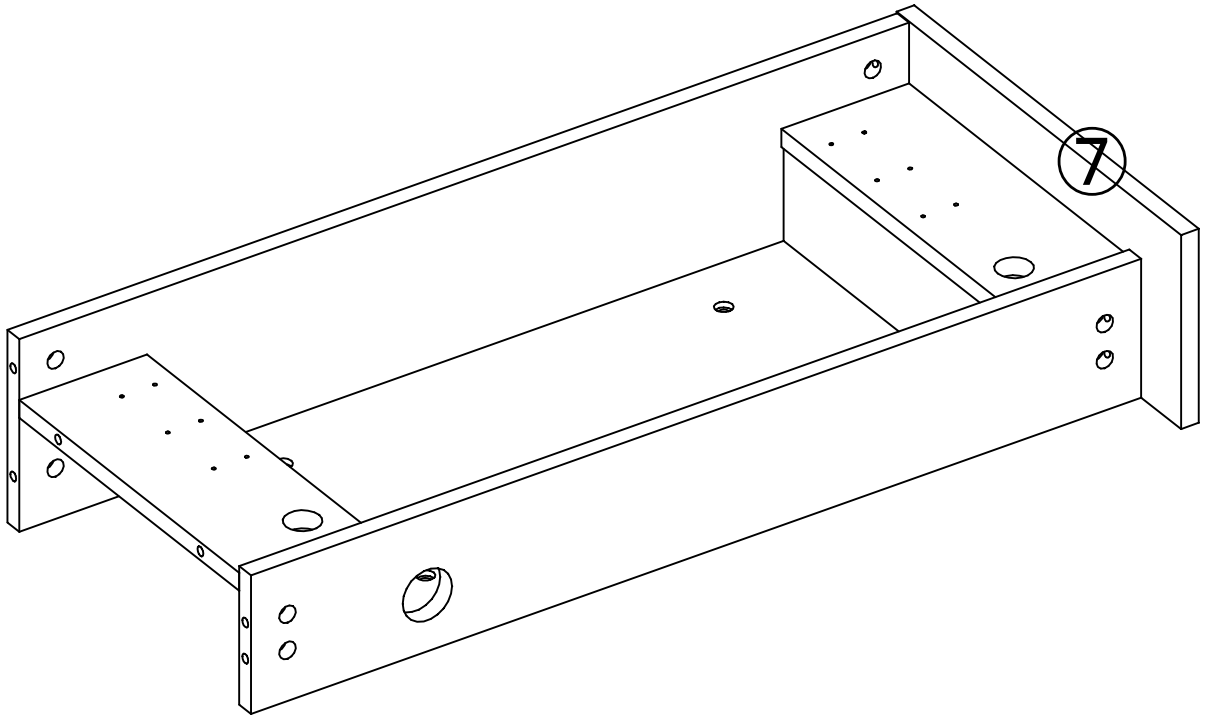
5



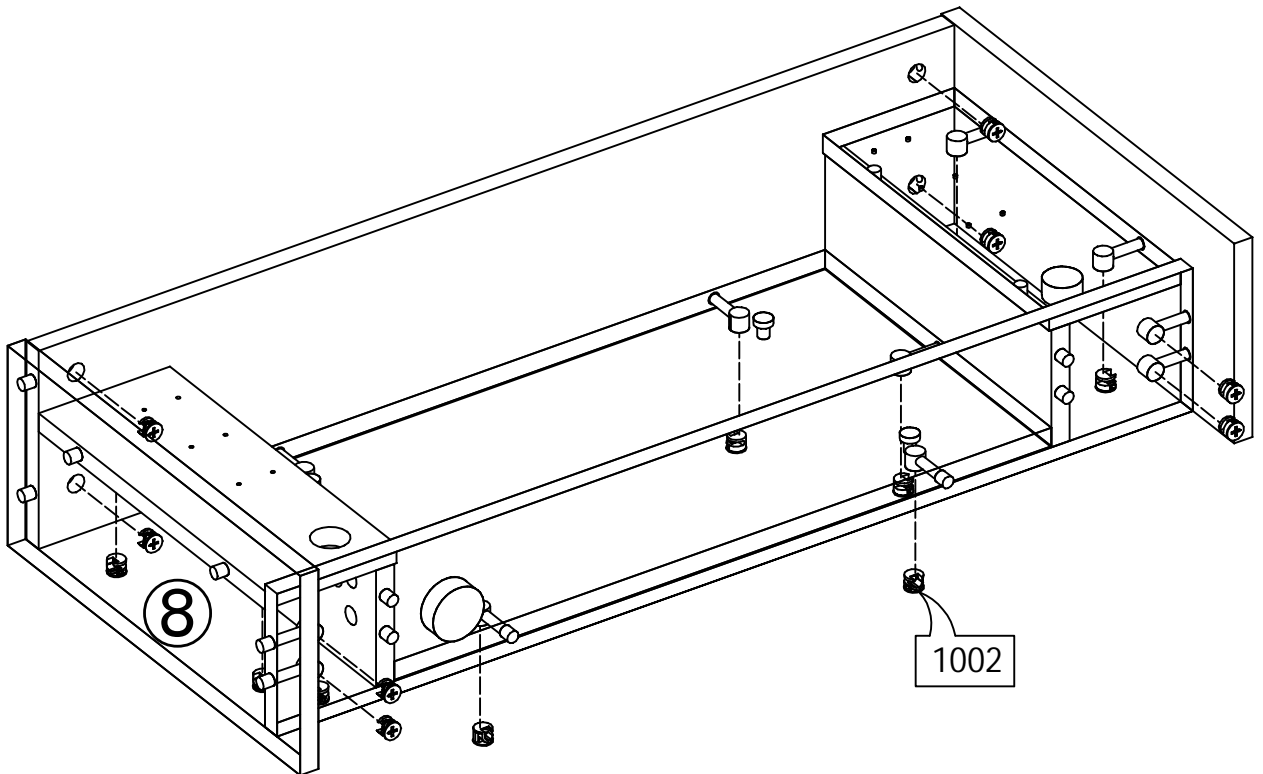
6



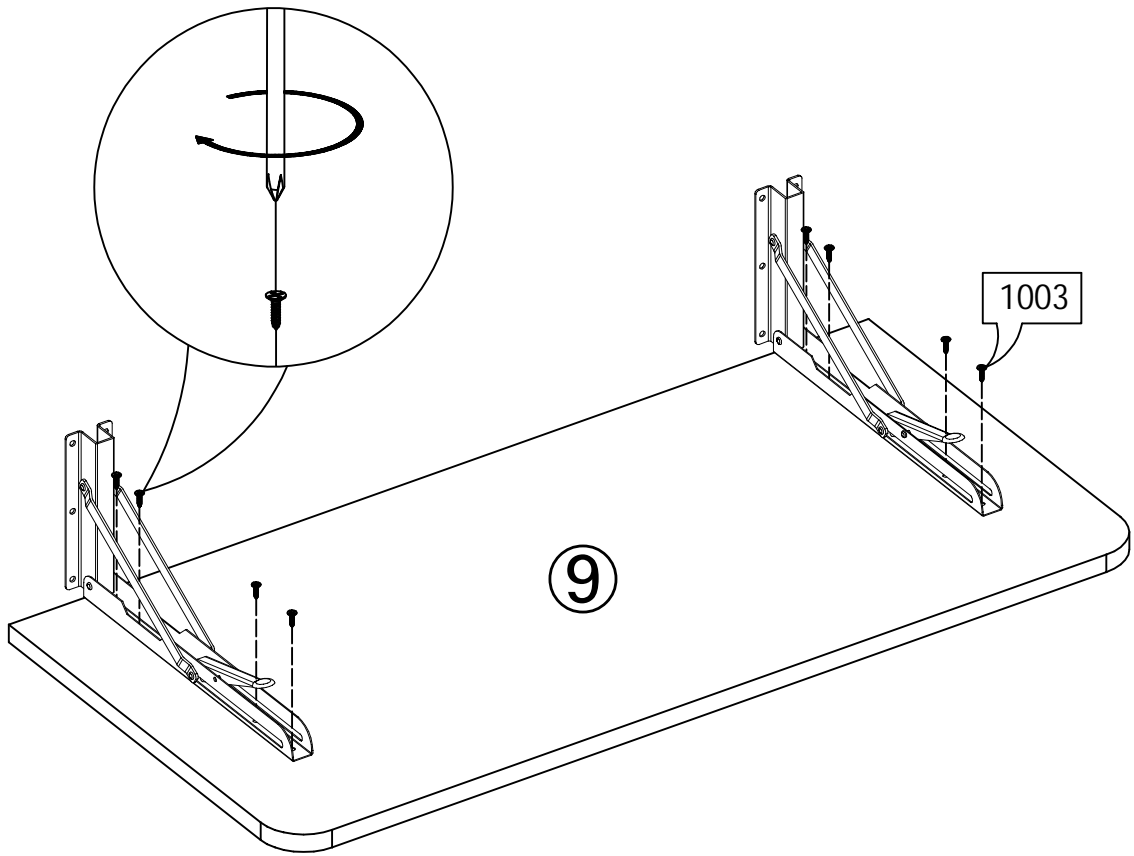
7



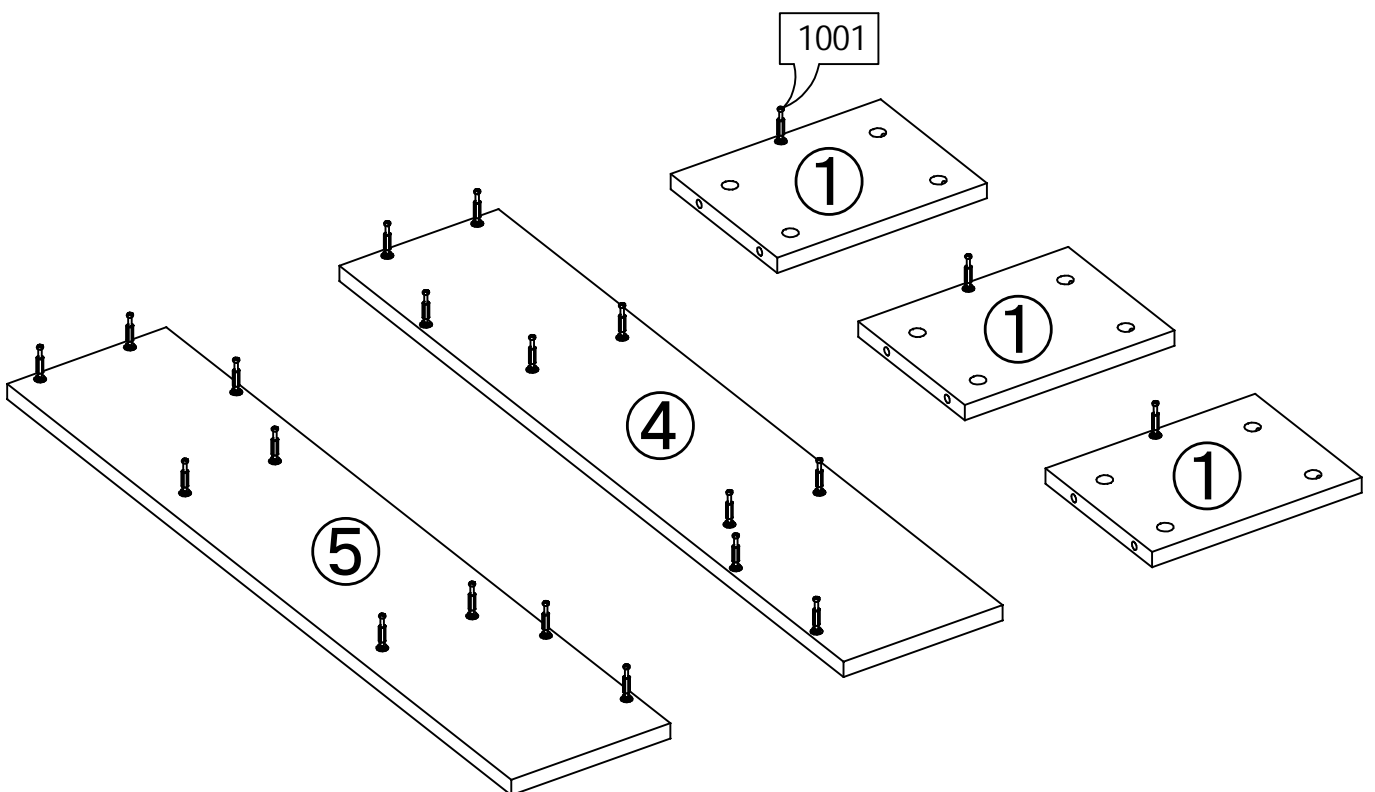
8



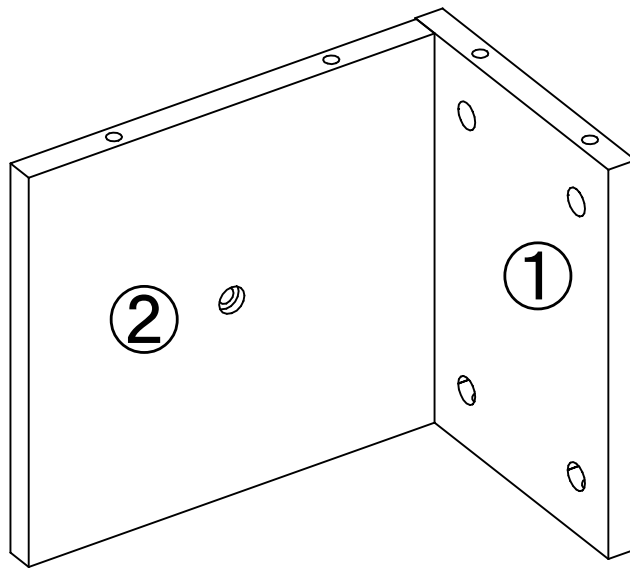
9



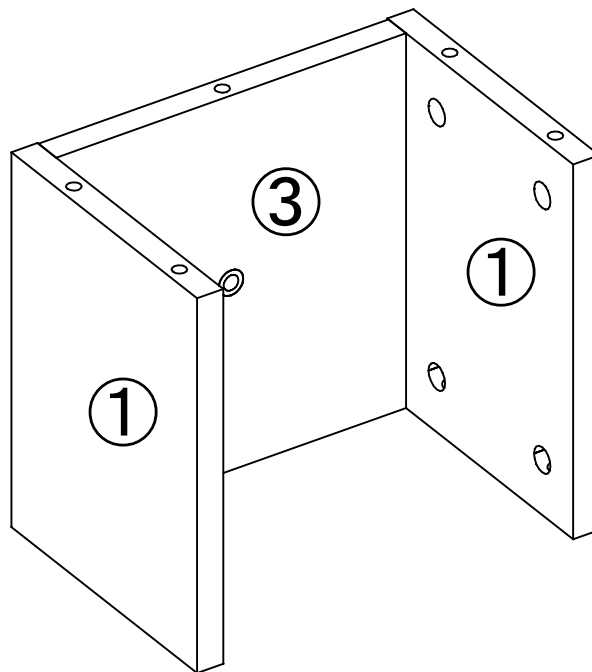
10



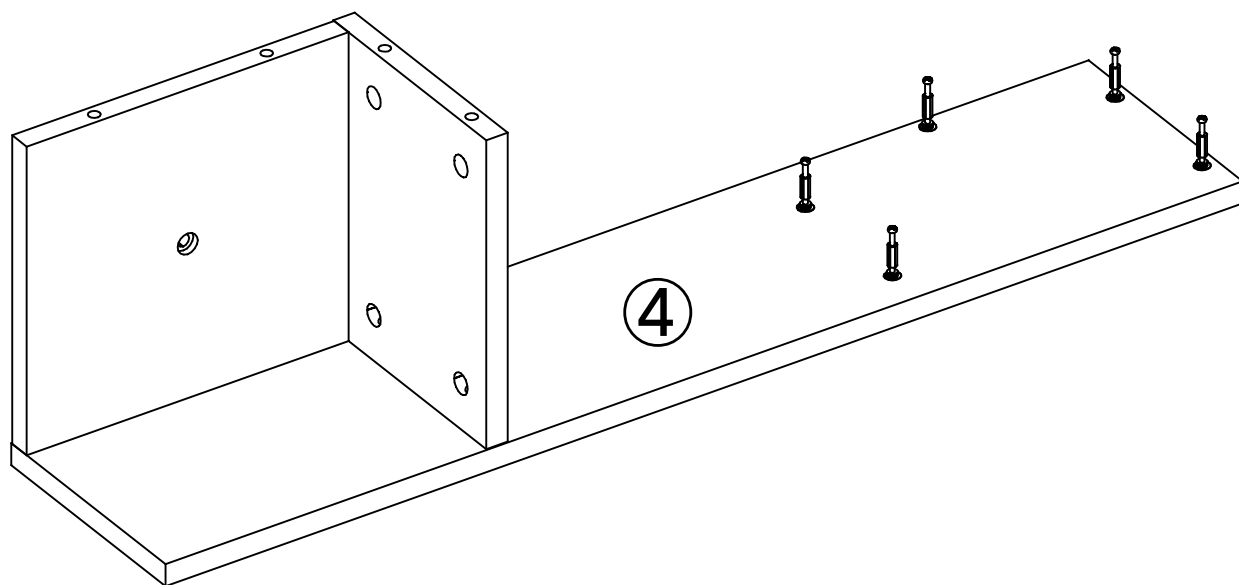
11



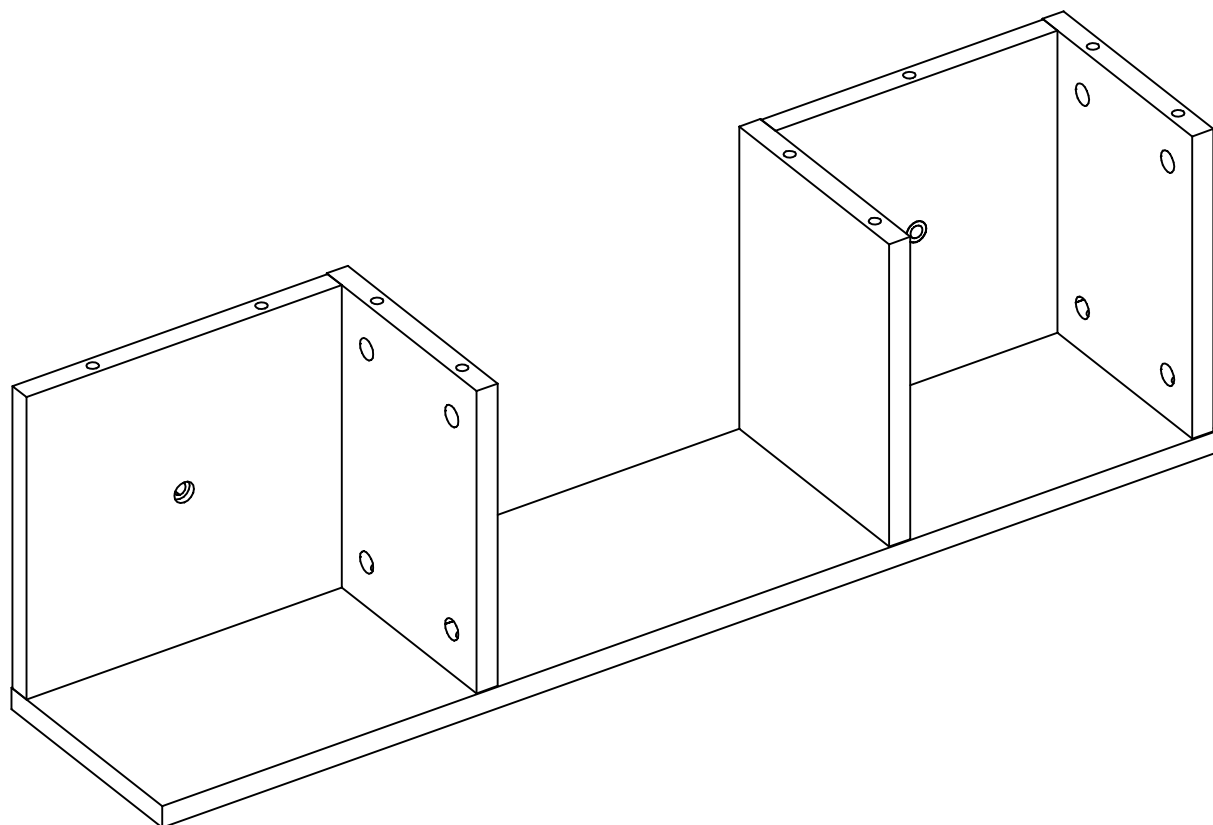
12



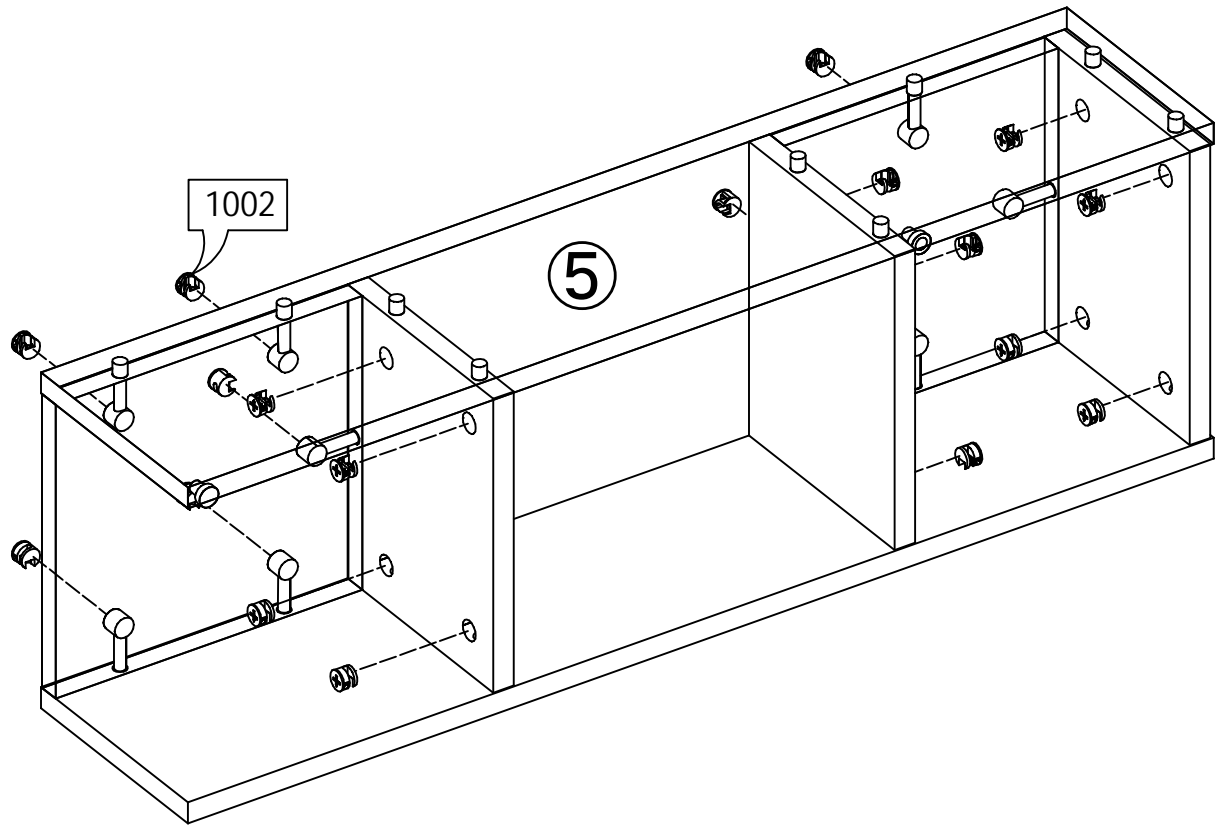
13



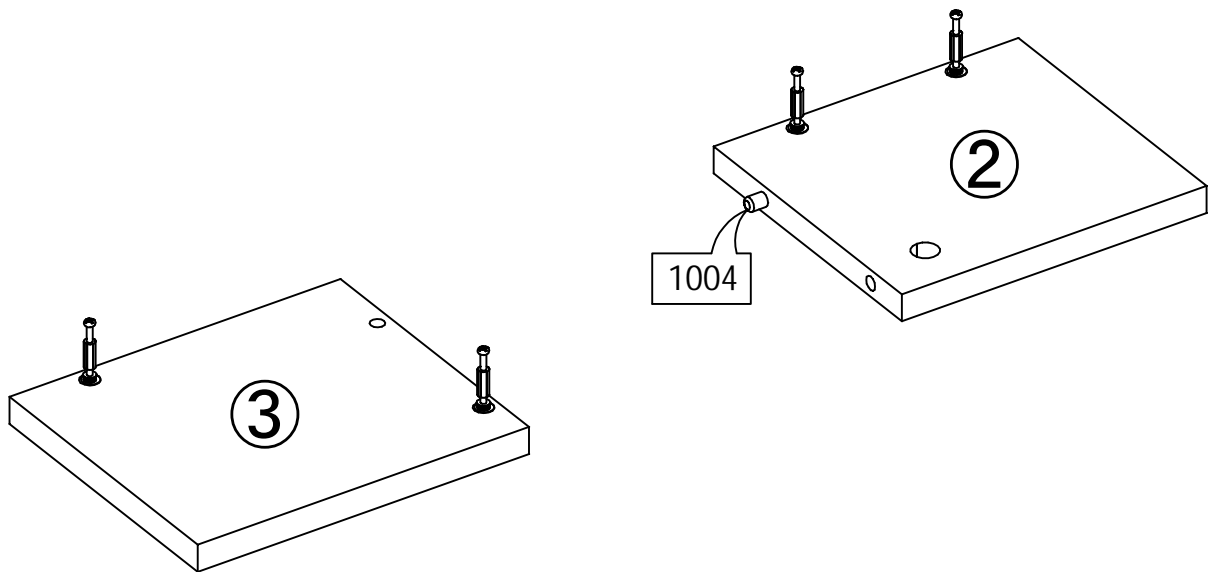
14



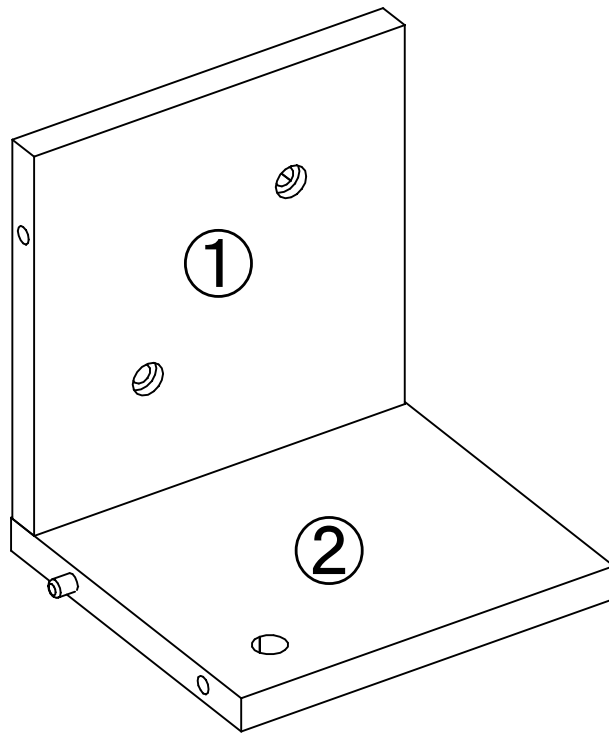
15



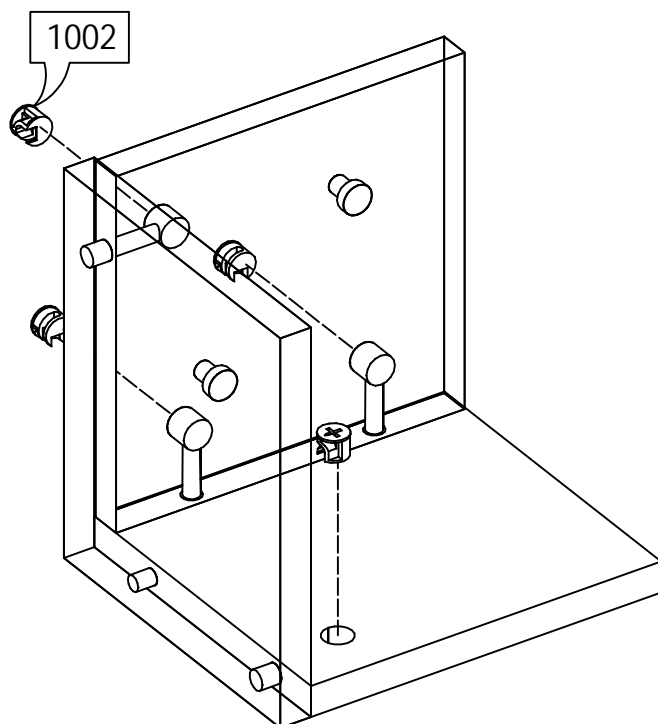
16



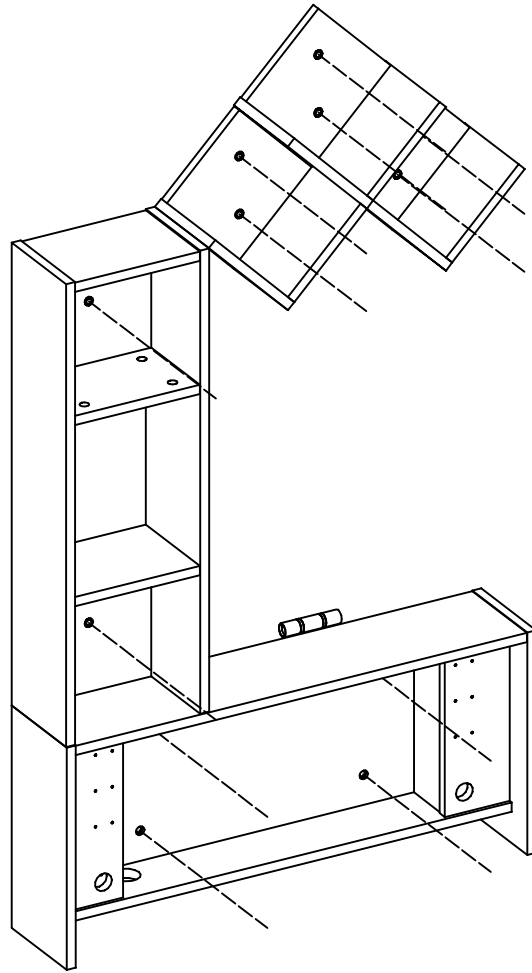
17



18

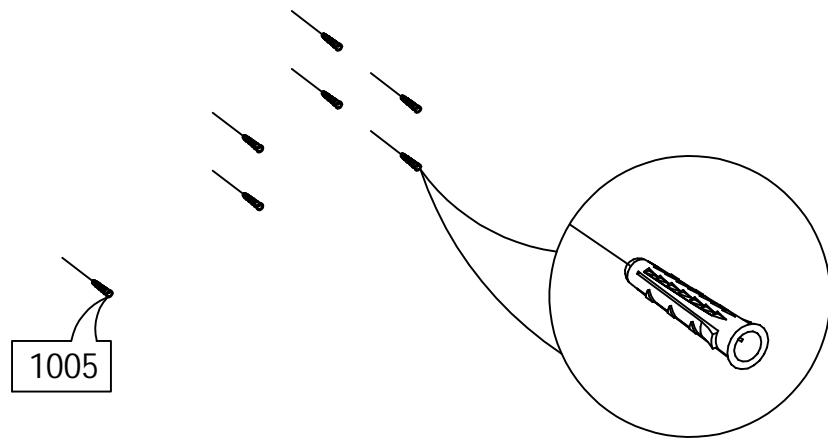


19

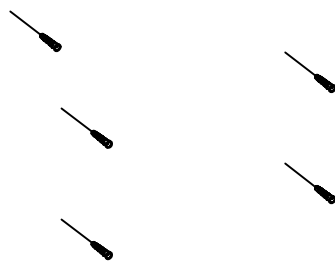


Locate the hole on the wall of the furniture according to the position of the spirit level

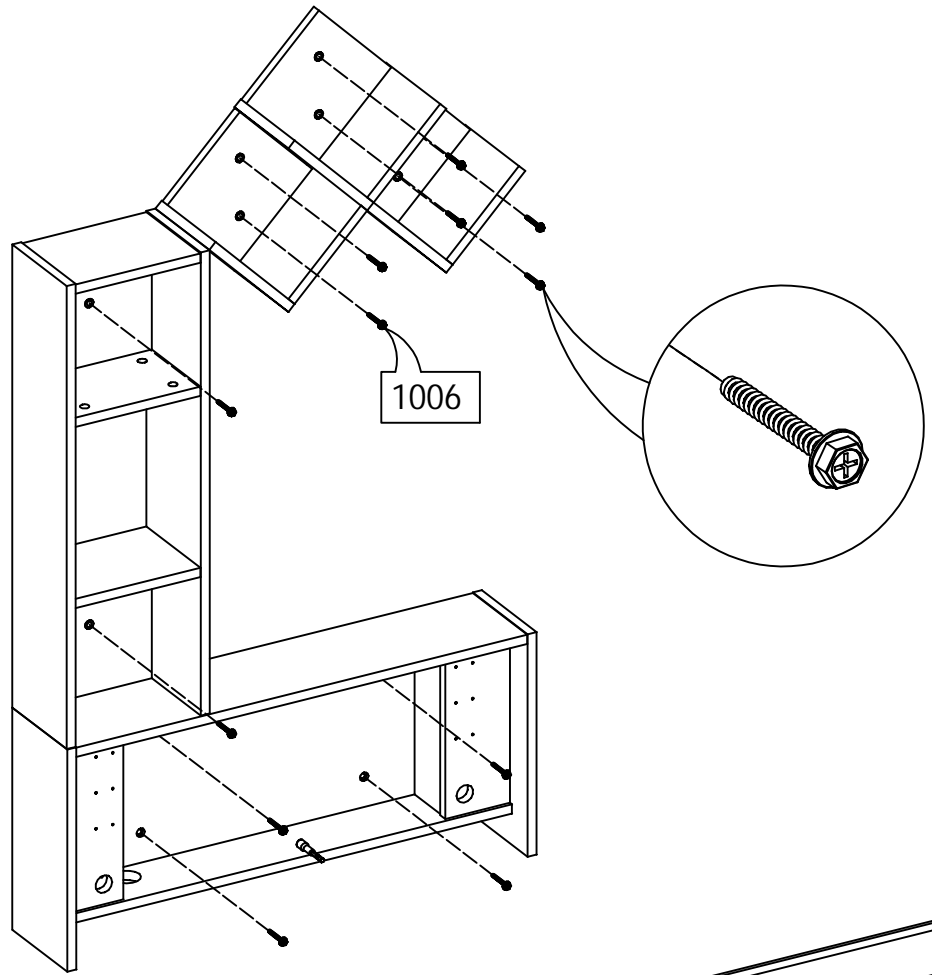
20



Make 10mm expansion holes on the wall



21



22

