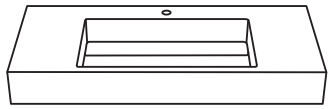


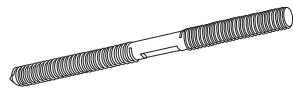
PRODUCT ASSEMBLY INSTRUCTIONS

[Product Model: FS165-1067]

List :



Solid Surface Bathroom Sink x1



Fastener x4



Gaskets x4

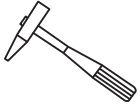


Nut x4

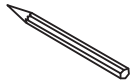


Expansion sleeve x4

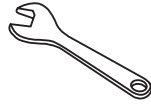
Tools Required :



Hammer



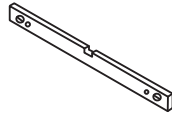
Pencil



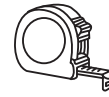
Wrench



Electrodrill



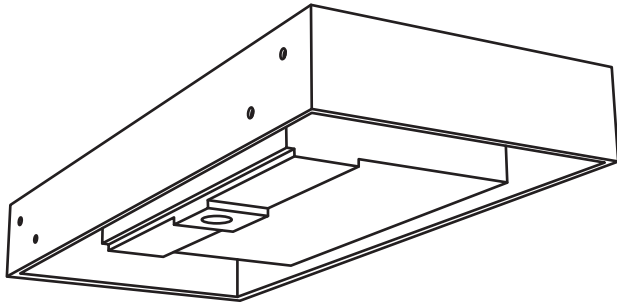
Gradienter



Steel tape

Installation steps : 1

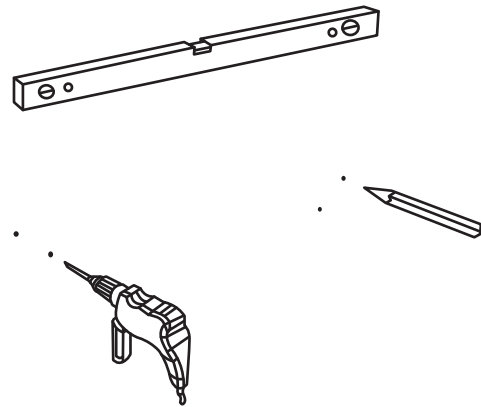
Measure the distance of the mounting holes, and the height you want, mark with the pencil.
(33"-36" is preferred for countertop height).



[The back of the product]

Installation steps : 2

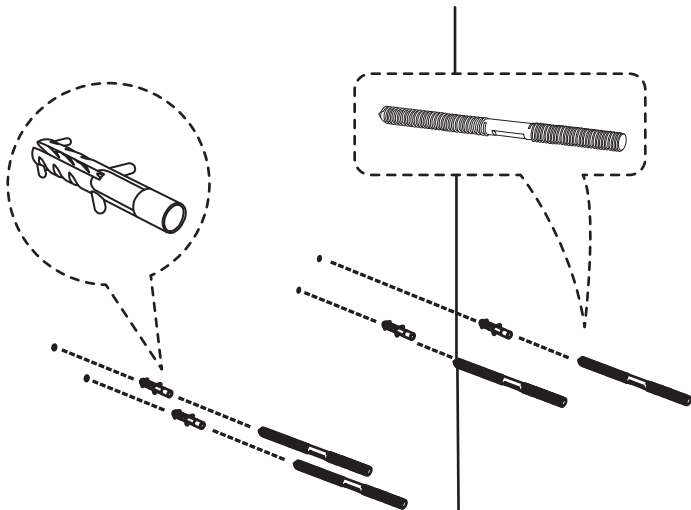
Drill the hole at the mark with electric drill.



Installation steps : 3

Install the expansion sleeve first, then the screws.

⚠ Make sure the screws are securely installed.



Installation steps : 4

Hold the basin and use a spanner to lock the basin to the wall.

