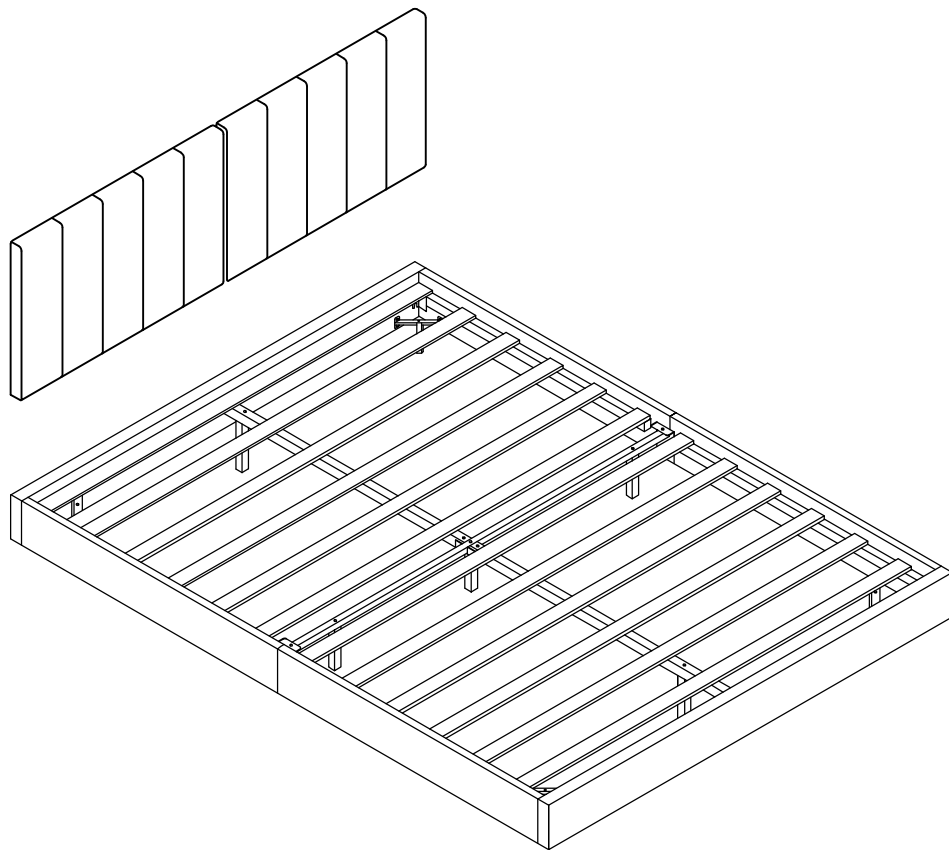


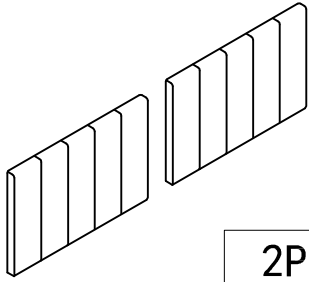
# ASSEMBLY INSTRUCTIONS

## CYX6006 QUEEN BED



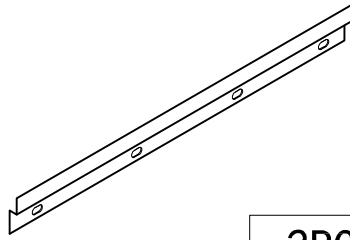
# PARTS AND HARDWARE

① Headboard



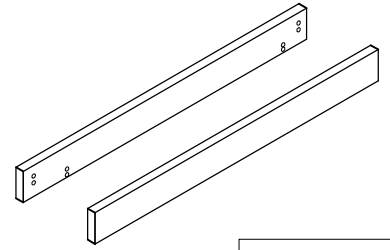
2PCS

② HB Support Rail



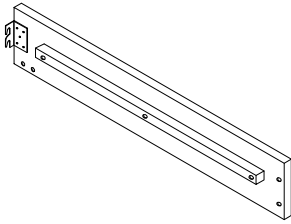
2PCS

③ Footboard



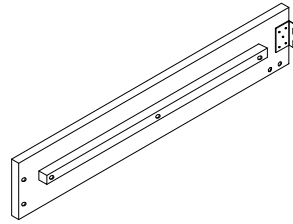
2PCS

④ Side rail A



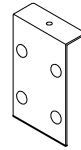
2PCS

⑤ Side rail B



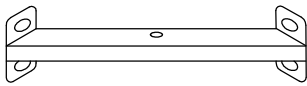
2PCS

⑥ SR Metal Plate



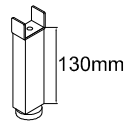
2PCS

⑦ Corner Bracket



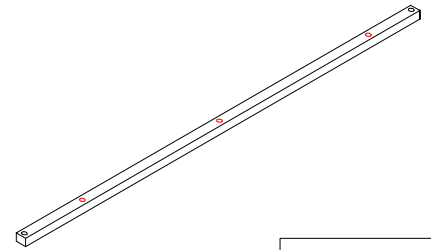
4PCS

⑧ Support Leg



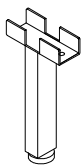
4PCS

⑨ Center cross bar



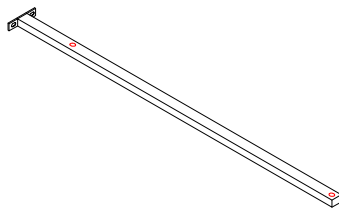
1PC

⑩ Center Support Leg



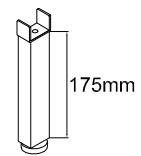
1PC

⑪ Center support rail



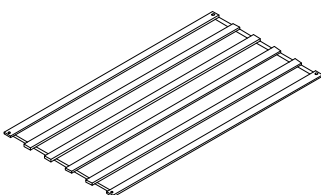
2PCS

⑫ Support Leg



4PCS

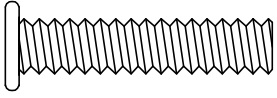
⑬ Slat



2SET

# PARTS AND HARDWARE

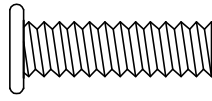
A



m8\*45mm

13PCS

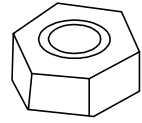
B



m8\*20mm

36PCS

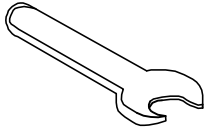
C



m8

2PCS

D



1PC

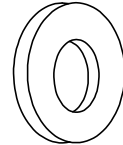
E



m8

49PCS

F



m8\*19mm

49PCS

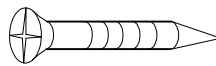
G



m8

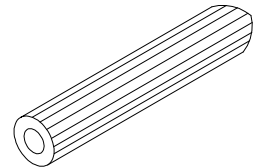
1PC

H



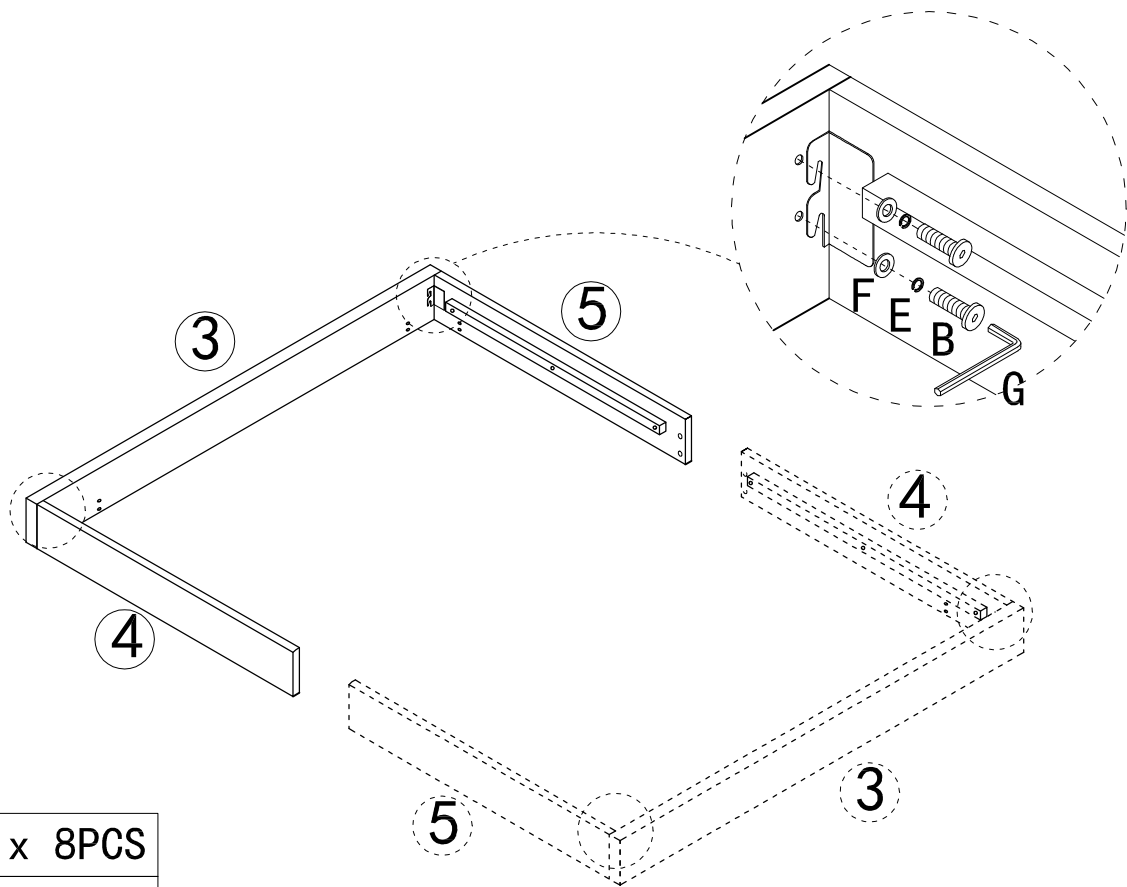
4PCS





I



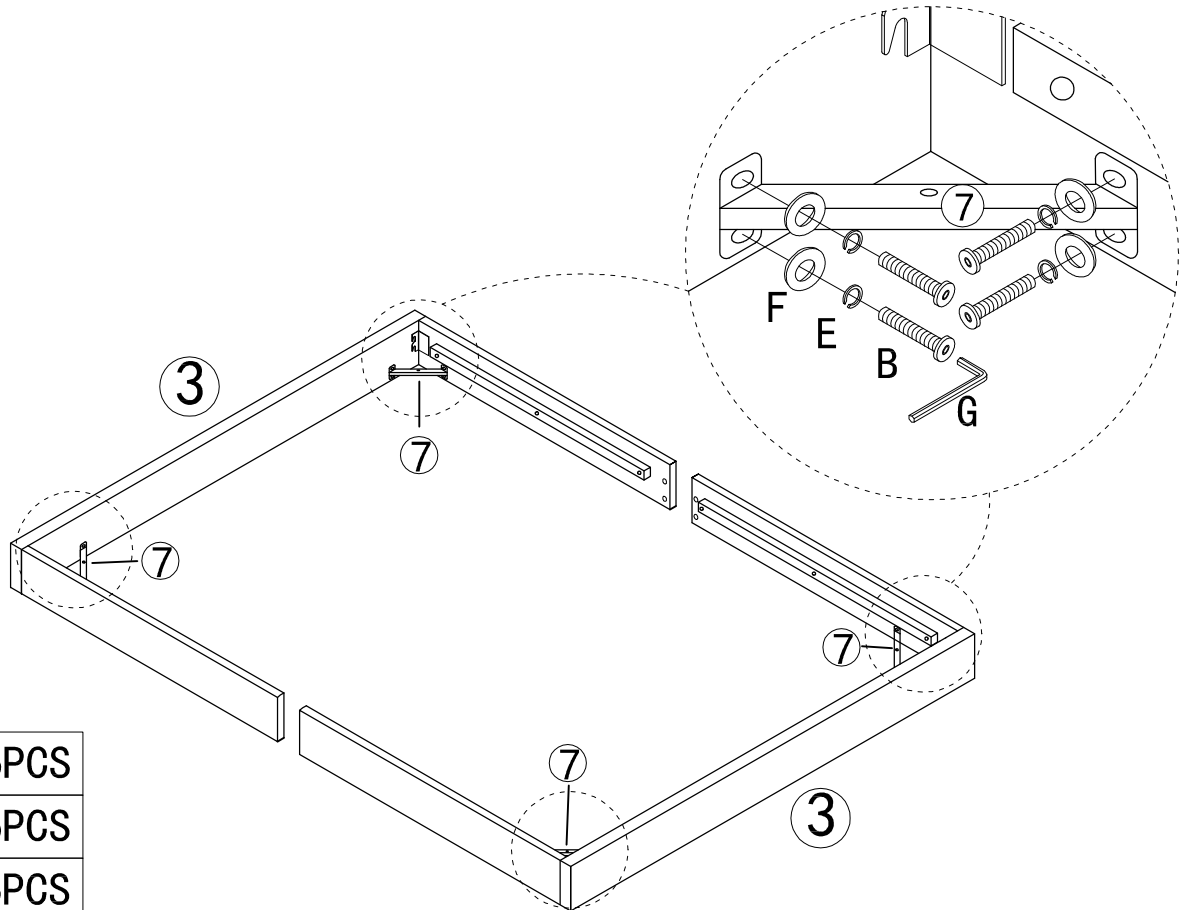
4PCS





# STEP 1



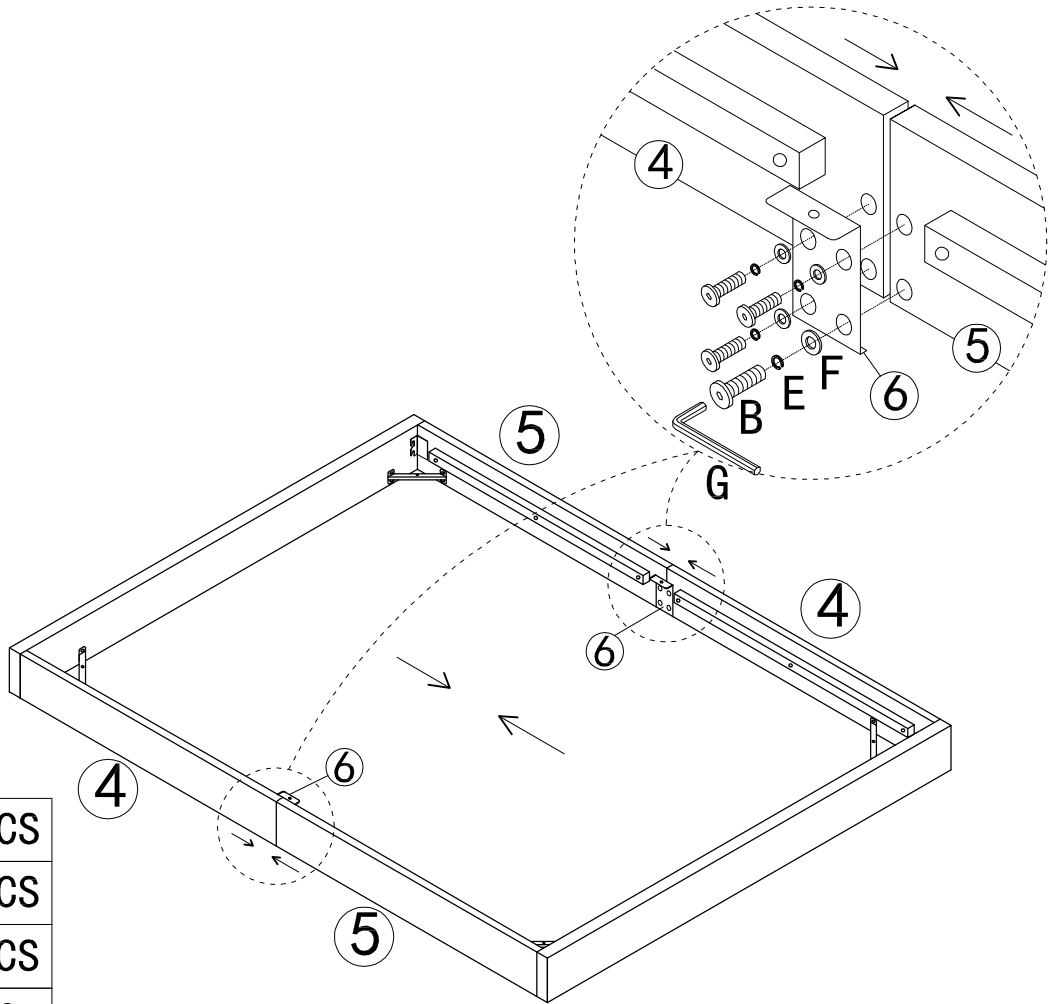
	B x 8PCS
	F x 8PCS
	E x 8PCS
	G x 1PC





# STEP 2



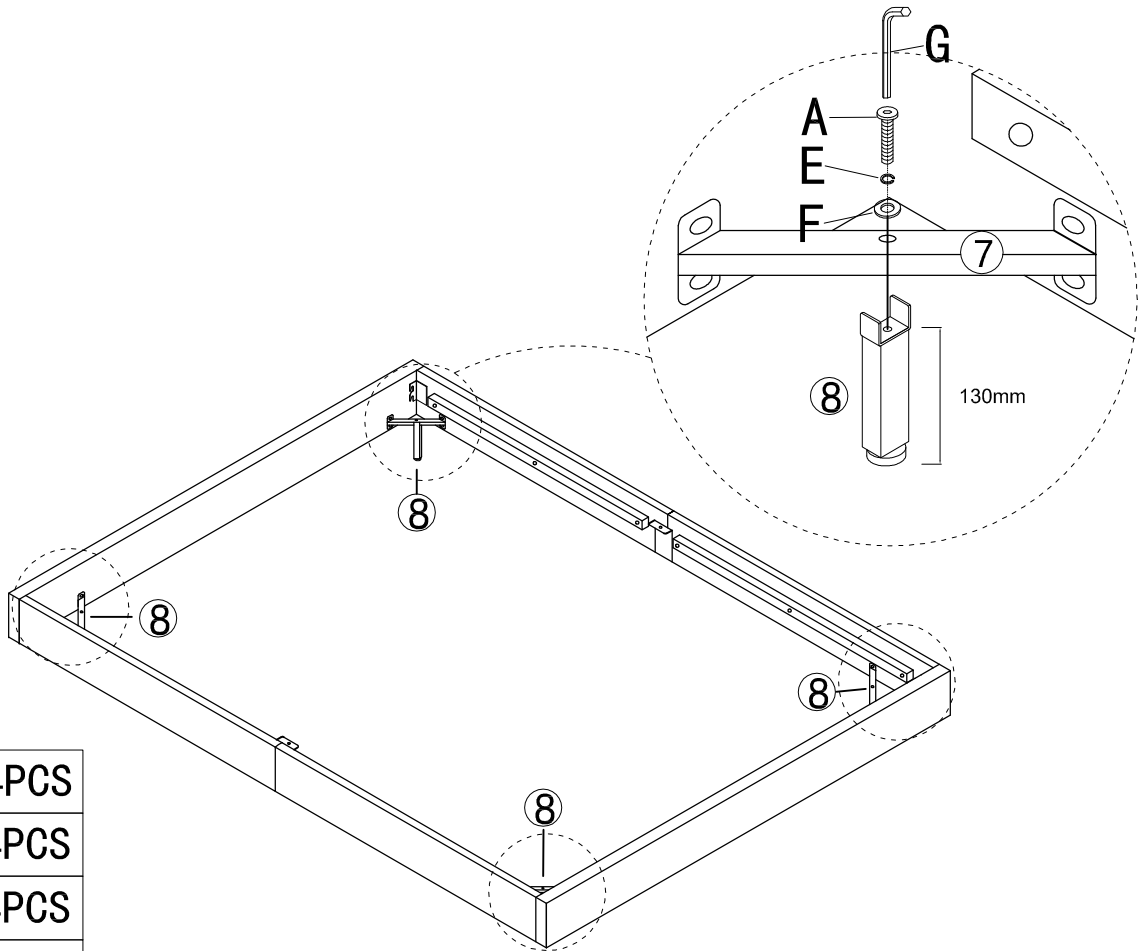
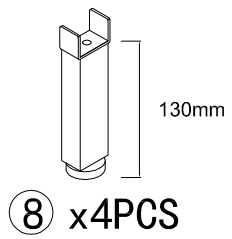
	B x16PCS
	F x16PCS
	E x16PCS
	G x 1PC




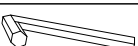
# STEP 3



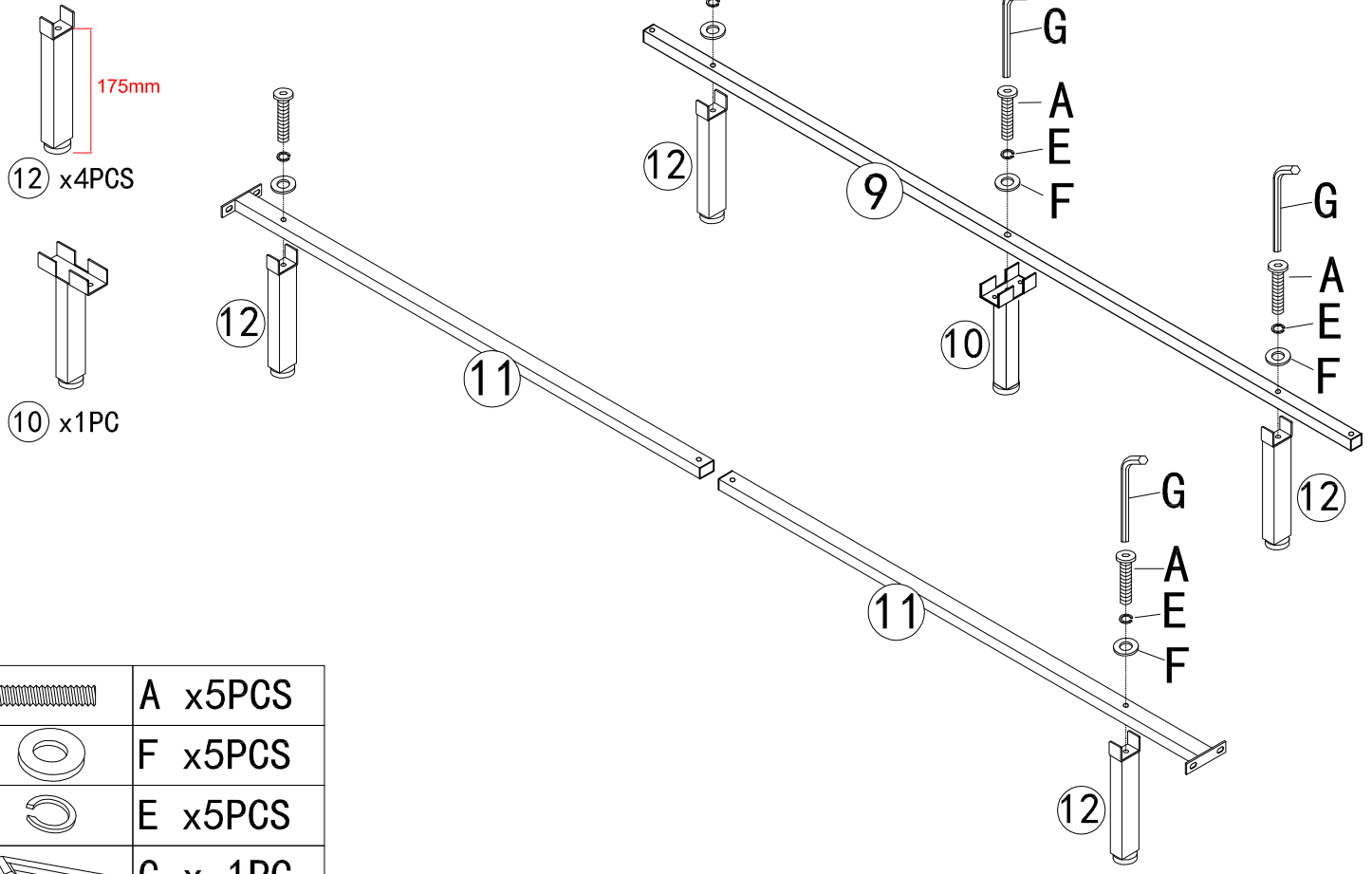
	B x 8PCS
	F x 8PCS
	E x 8PCS
	G x 1PC

# STEP 4



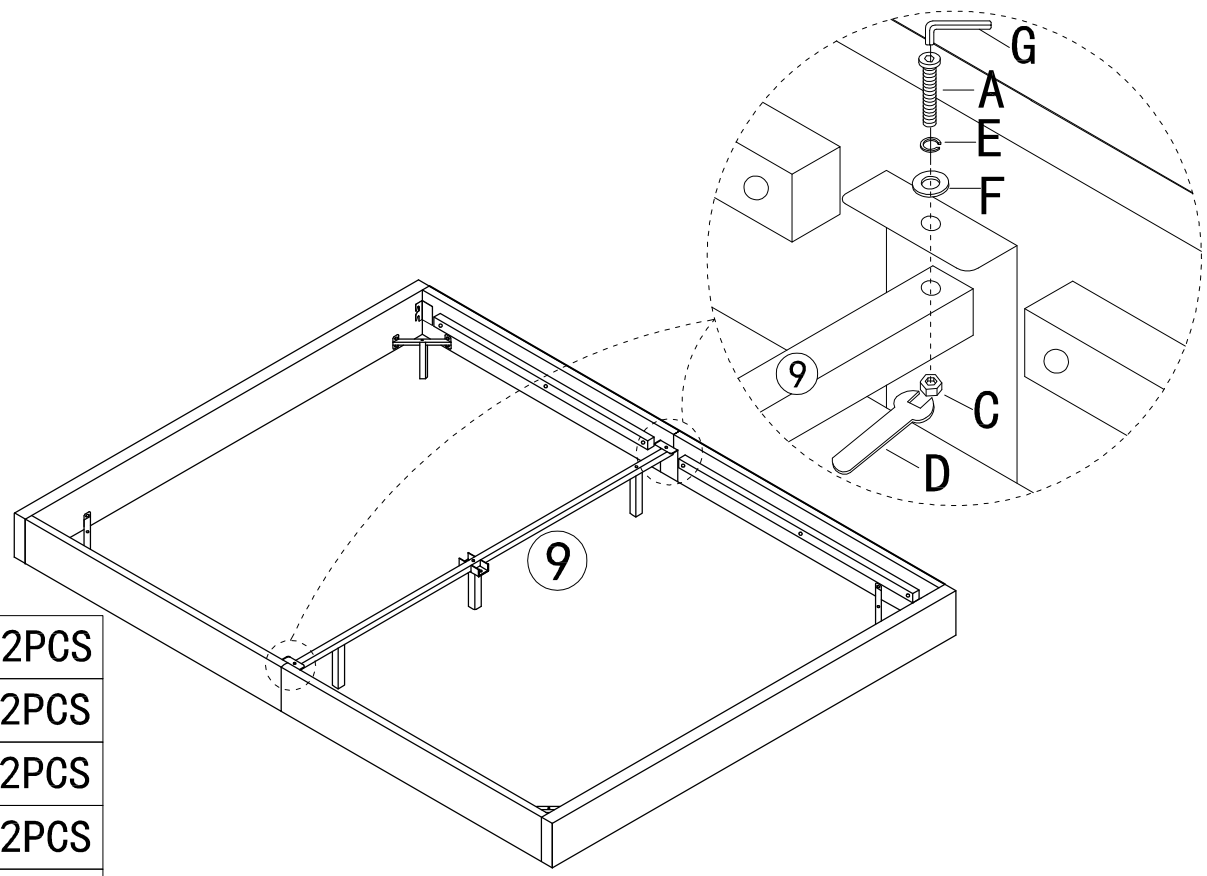
	A x 4PCS
	F x 4PCS
	E x 4PCS
	G x 1PC

# STEP 5



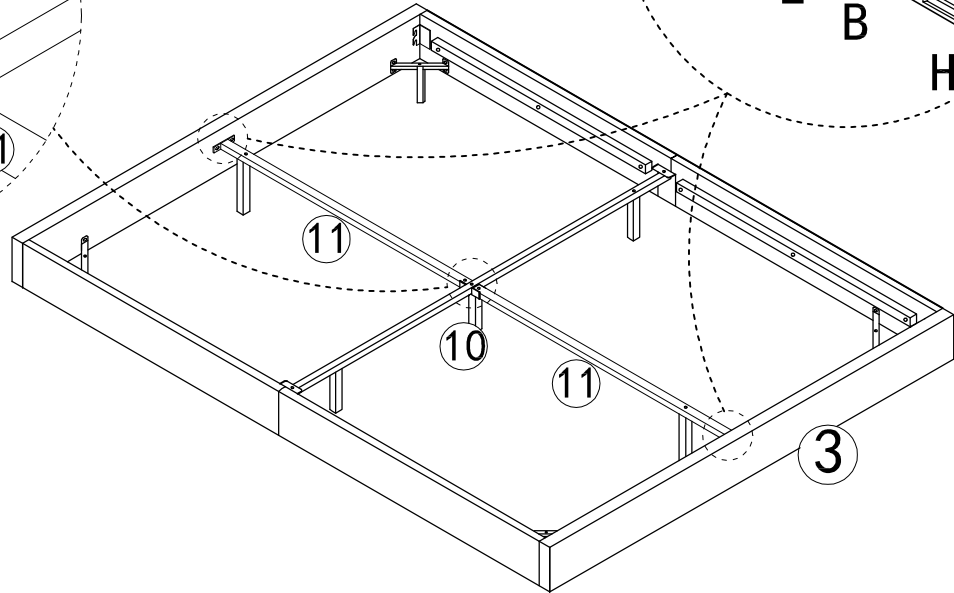
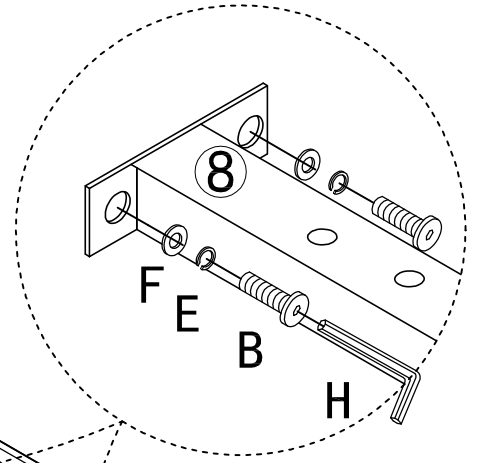
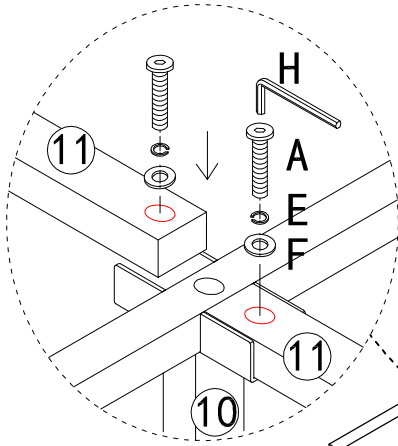
	A x 5PCS
	F x 5PCS
	E x 5PCS
	G x 1PC






# STEP 6



	A x 2PCS
	F x 2PCS
	E x 2PCS
	C x 2PCS
	D x 1PC
	G x 1PC

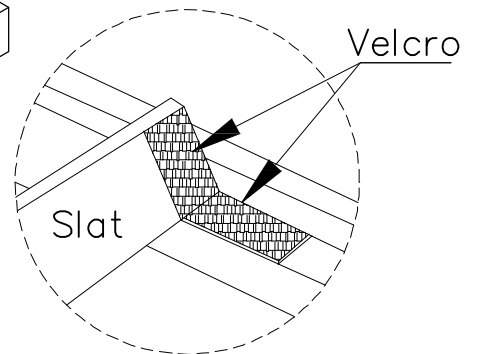
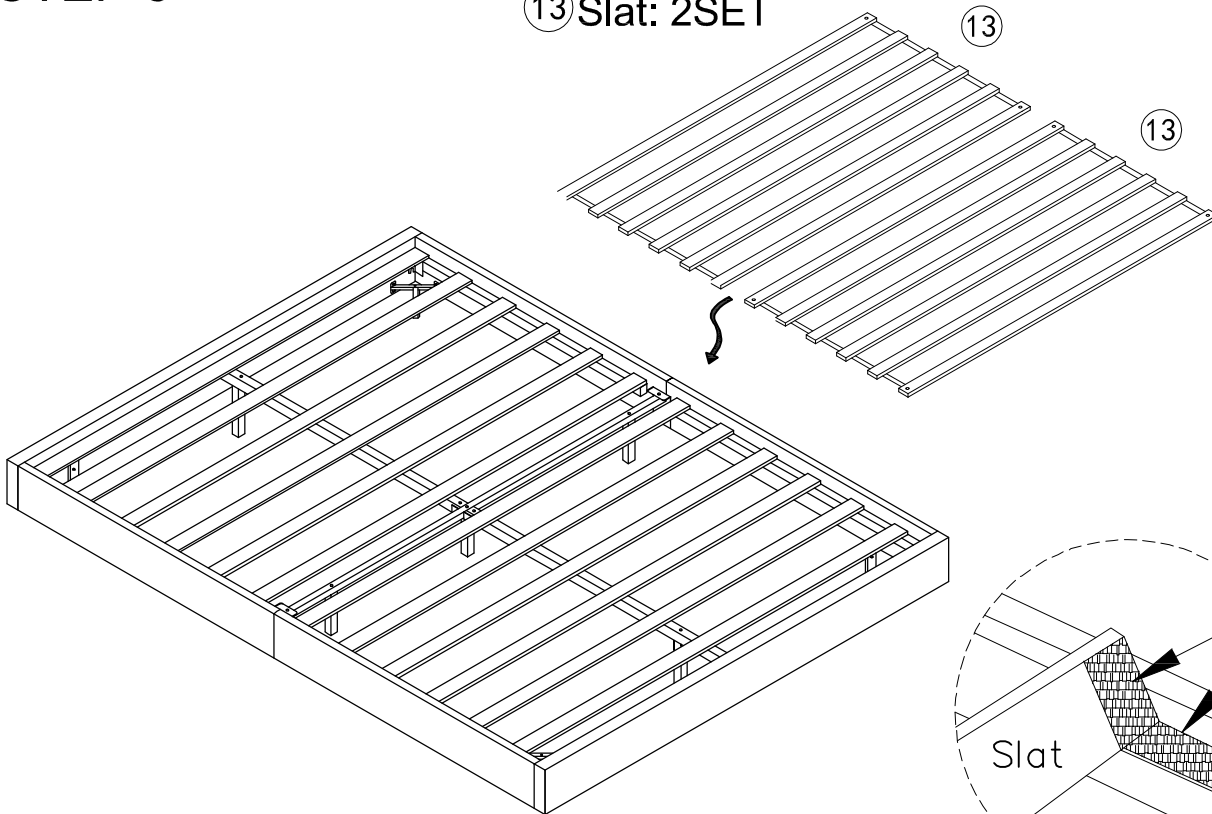
# STEP 7



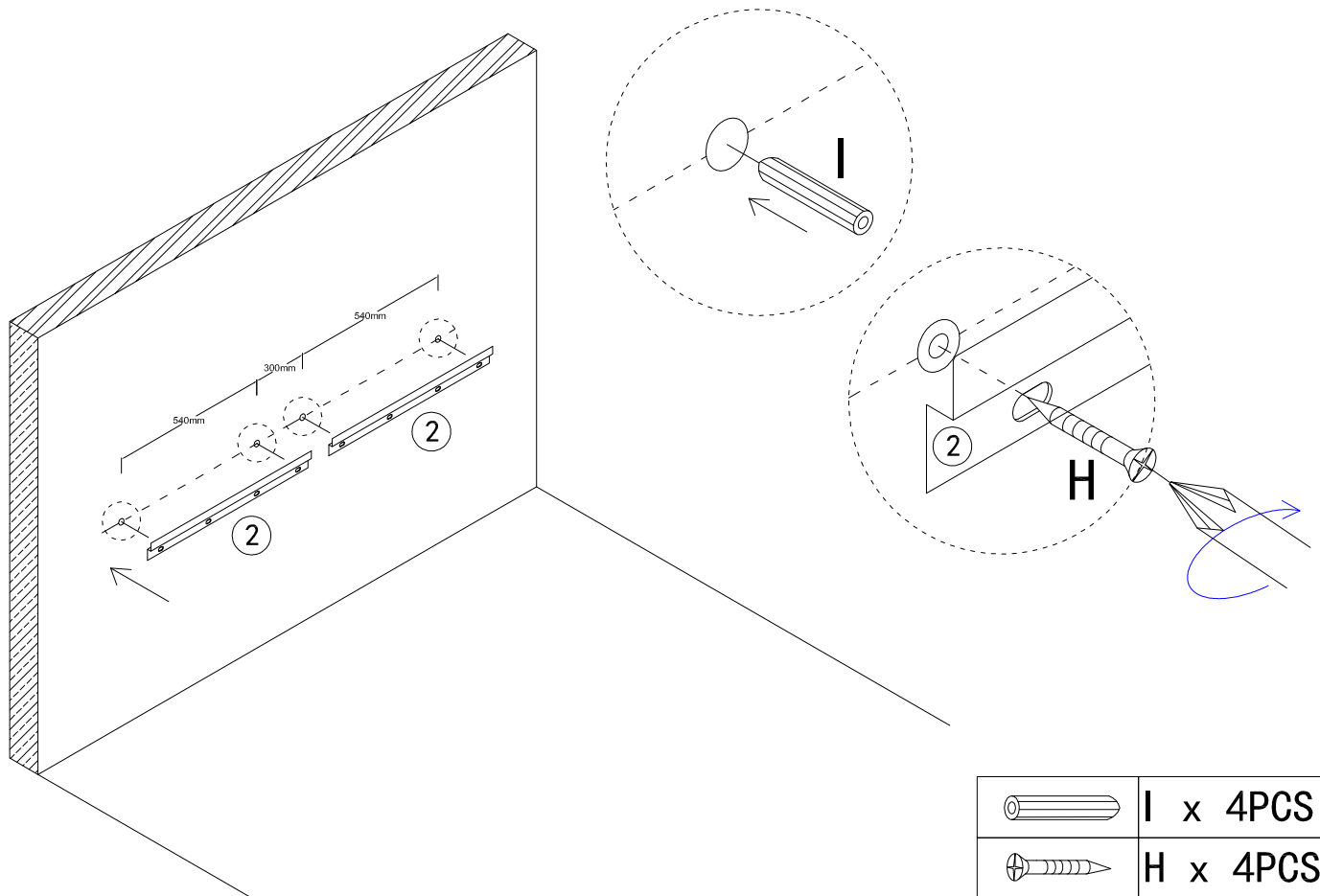
	A x2PCS
	B x4PCS
	F x6PCS
	E x6PCS
	G x 1PC

# STEP 8

⑬ Slat: 2SET



# STEP 11



# STEP 12

