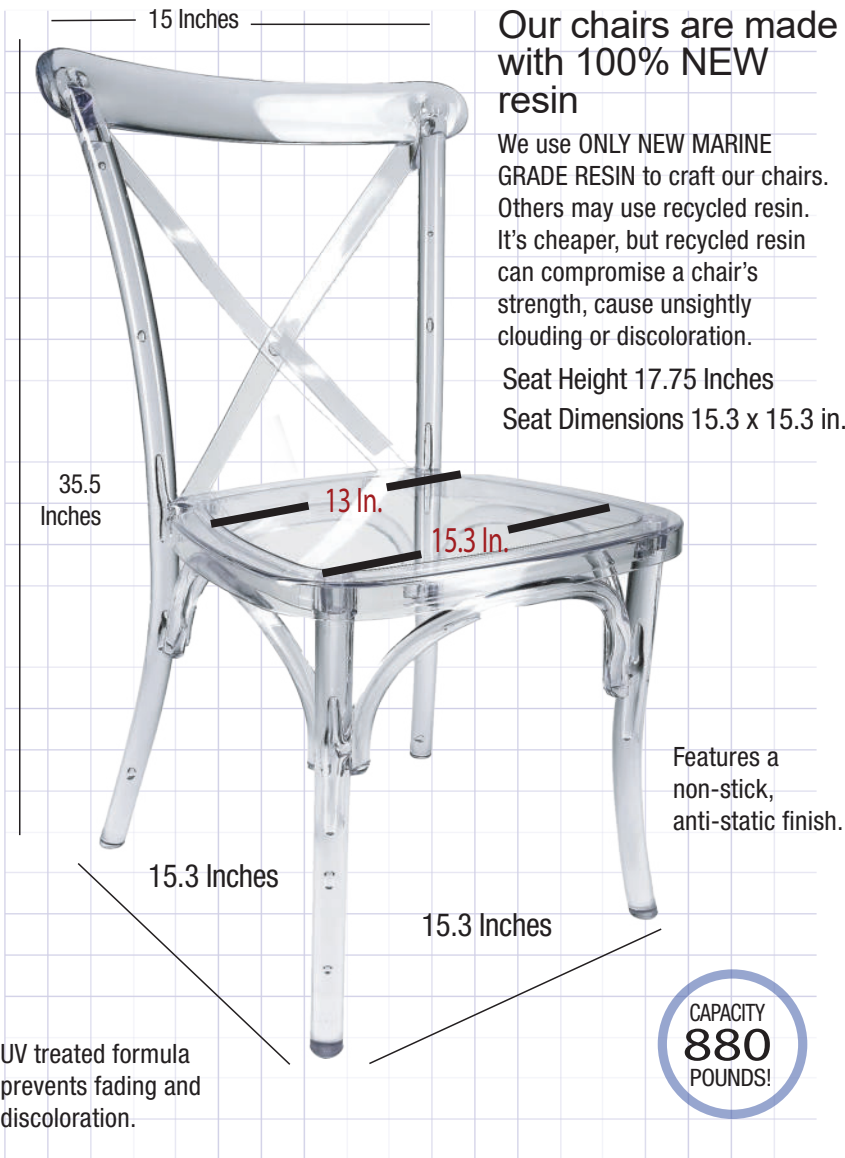




# Clear Resin ProClear Cross Back Chair

It's beautiful, rugged and **WATERPROOF!**



Our chairs are made with **100% NEW resin**

We use **ONLY NEW MARINE GRADE RESIN** to craft our chairs. Others may use recycled resin. It's cheaper, but recycled resin can compromise a chair's strength, cause unsightly clouding or discoloration.

Seat Height 17.75 Inches  
Seat Dimensions 15.3 x 15.3 in.

Features a non-stick, anti-static finish.

UV treated formula prevents fading and discoloration.

CAPACITY  
**880**  
POUNDS!

## Product Details

Ships Assembled?	Yes
Color	Chivari ProClear
Resin Type	High-Quality Polycarbonate
MonoFrame Construction	One-Piece Mold
Seat Height	17.75 in.
Chair Height	36.5 in.
Limited Warranty	1 year
Material Category	Resin
Seat Width/Depth	15.3 in. x 15.3 in.
Stack Capacity	10
Arms?	No
Chair Weight	9.7 lbs.
Overall Dimensions	15.3 x 15.3 x 35.5 in.
Units Per Pallet	48

### This chair is part of our **ProClear ThinVisible™ Series**

The chair frame is a single piece made from a mold -- also called a "Mono-Frame". There's no assembled required, because our clear resin chairs are crafted in a single, strong piece.

### Crystal clear, smooth and strong.

Our ProClear ThinVisible chairs are manufactured in one piece -- they are strong, resilient and beautifully pure clear.



## What Makes This Chair Different?

Its clean design, clear appearance and lightweight make it a perfect balance of elegance and efficiency.

### We Use NEW RESIN

We use 100% new resin (cured at 260 -280 degrees) for our transparent clear chairs, eliminating impurities inherent in chairs that use recycled resin, making them appear gray, blue or dark.

### The ProClear Difference

The high-quality, crystal clear resin (polycarbonate PC resin plastic material) frame features fewer lines for a near invisible appearance. And there's never any chipping or scratching.

### Maintenance

There's no sanding, repainting or staining needed -- ever. our chairs save time and money and deliver years of use.

### Safety Standards

Meets or exceeds ANSI/BIFMA standards