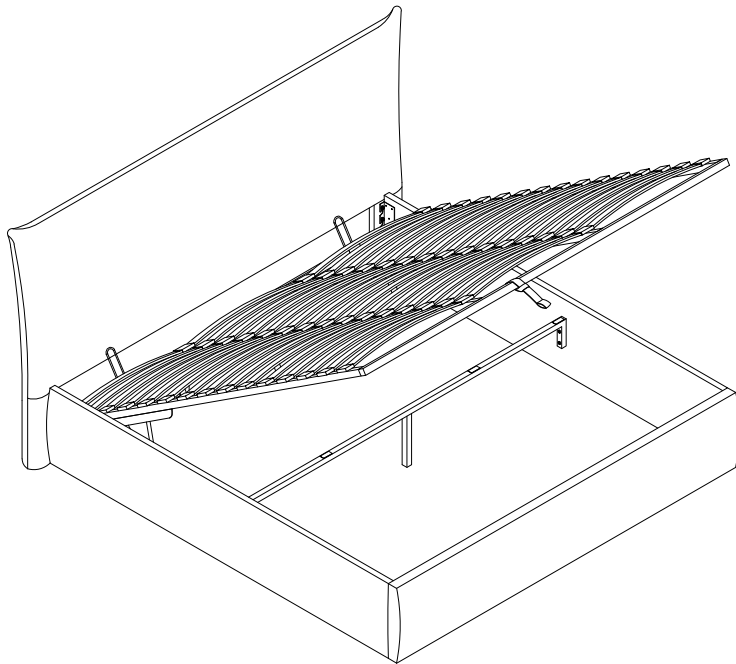


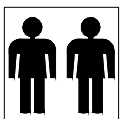
ASSEMBLY INSTRUCTION



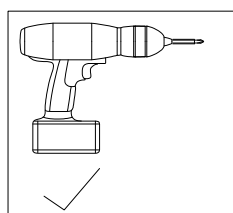
Please **TEAR OFF** this shrink film from side!
DO NOT USE CUTTER!

IMPORTANT NOTE

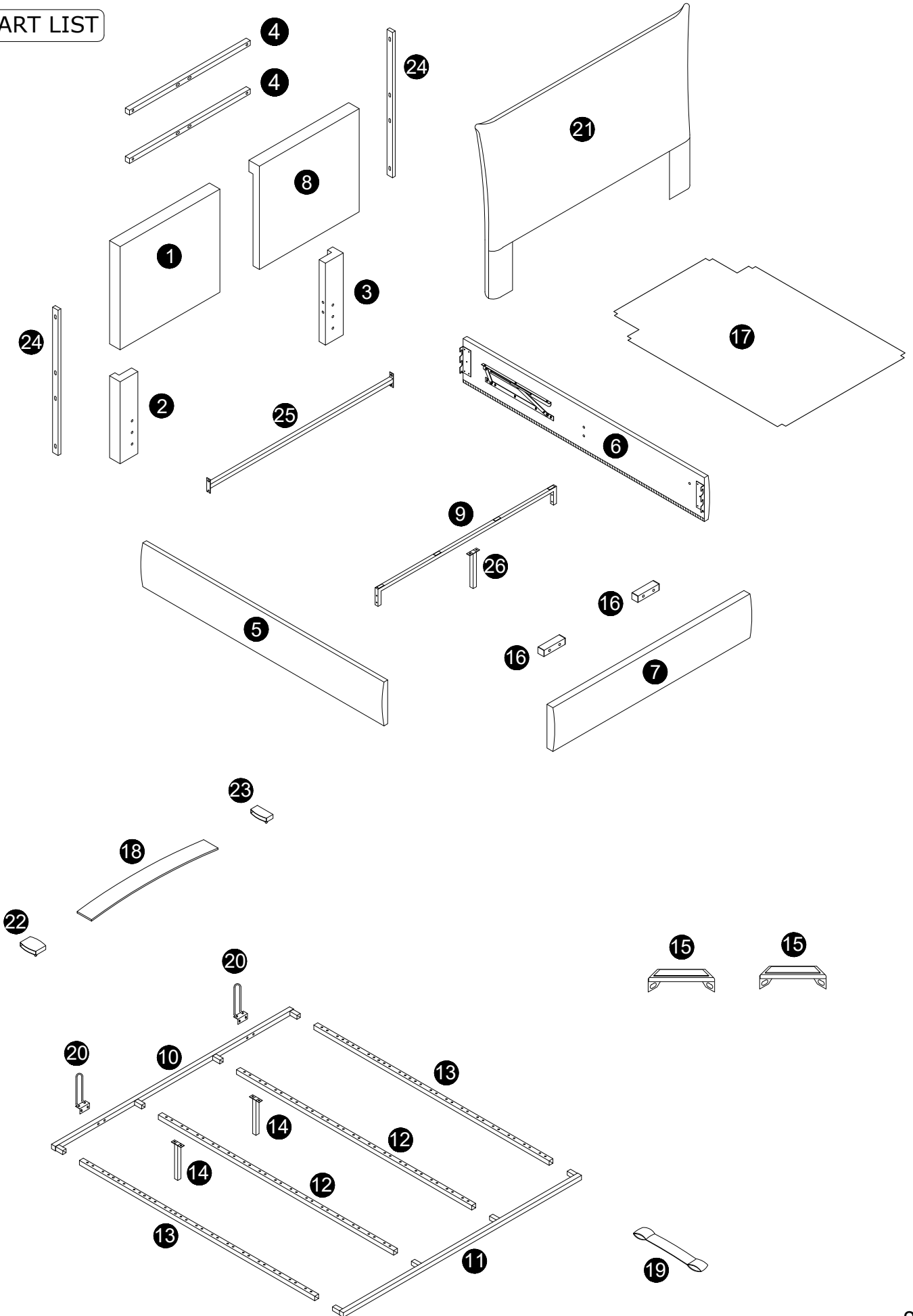
- 1. The product is shipped in two packages. Please check the number of packages received before assembly.**
2. For the protection of your furniture, place all parts on a clean and smooth surface to prevent any damage.
3. Keep fittings out of children's reach and keep children well away from construction area.
4. When moving your assembled bed, it is best to lift the bed and never to drag it.
5. Do not use this product if parts are missing, damaged or worn.
6. This product should only be used on firm, level ground.
7. Please periodically check all fittings and re-tighten as necessary.
8. Do not use the bed unless all bolts and screws are firmly secured.
9. For further assistance, please provide a screenshot of your order and contact us via email at



Minimum two
person assembly

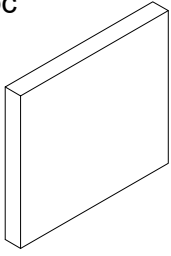


PART LIST



PART LIST

1 x 1pc



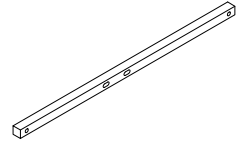
2 x 1pc



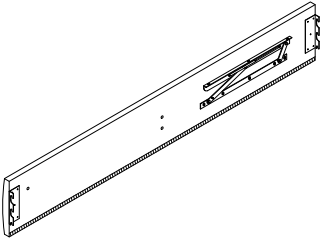
3 x 1pc



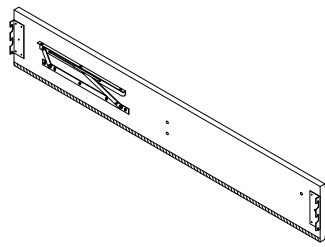
4 x 2pcs



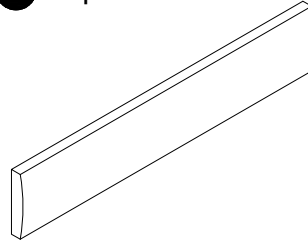
5 x 1pc



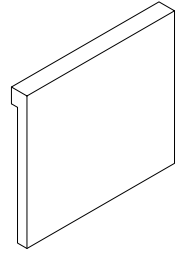
6 x 1pc



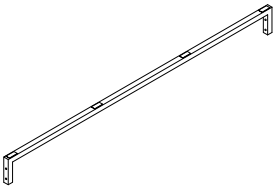
7 x 1pc



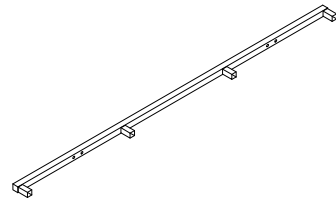
8 x 1pc



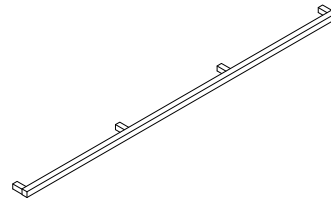
9 x 1pc



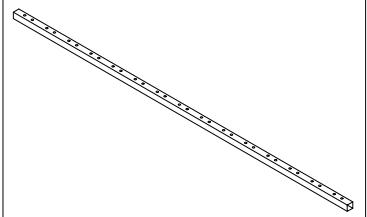
10 x 1pc



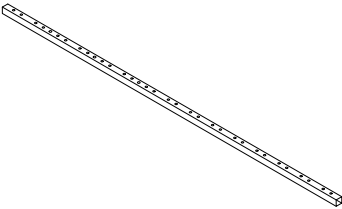
11 x 1pc



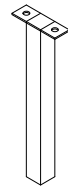
12 x 2pcs



13 x 2pcs



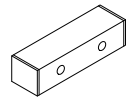
14 x 2pcs



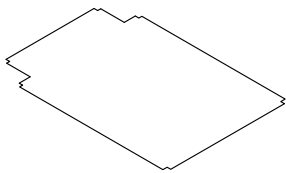
15 x 2pcs



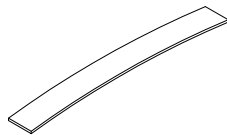
16 x 2pcs



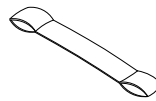
17 x 1pc



18 x 45pcs



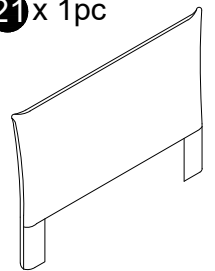
19 x 1pc



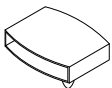
20 x 2pcs



21 x 1pc



22 x 30pcs



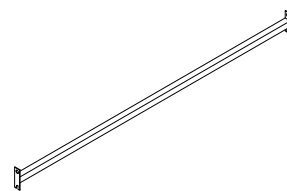
23 x 30pcs



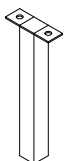
24 x 2pcs



25 x 1pc

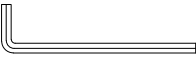
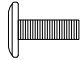




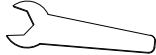


26 x 1pc

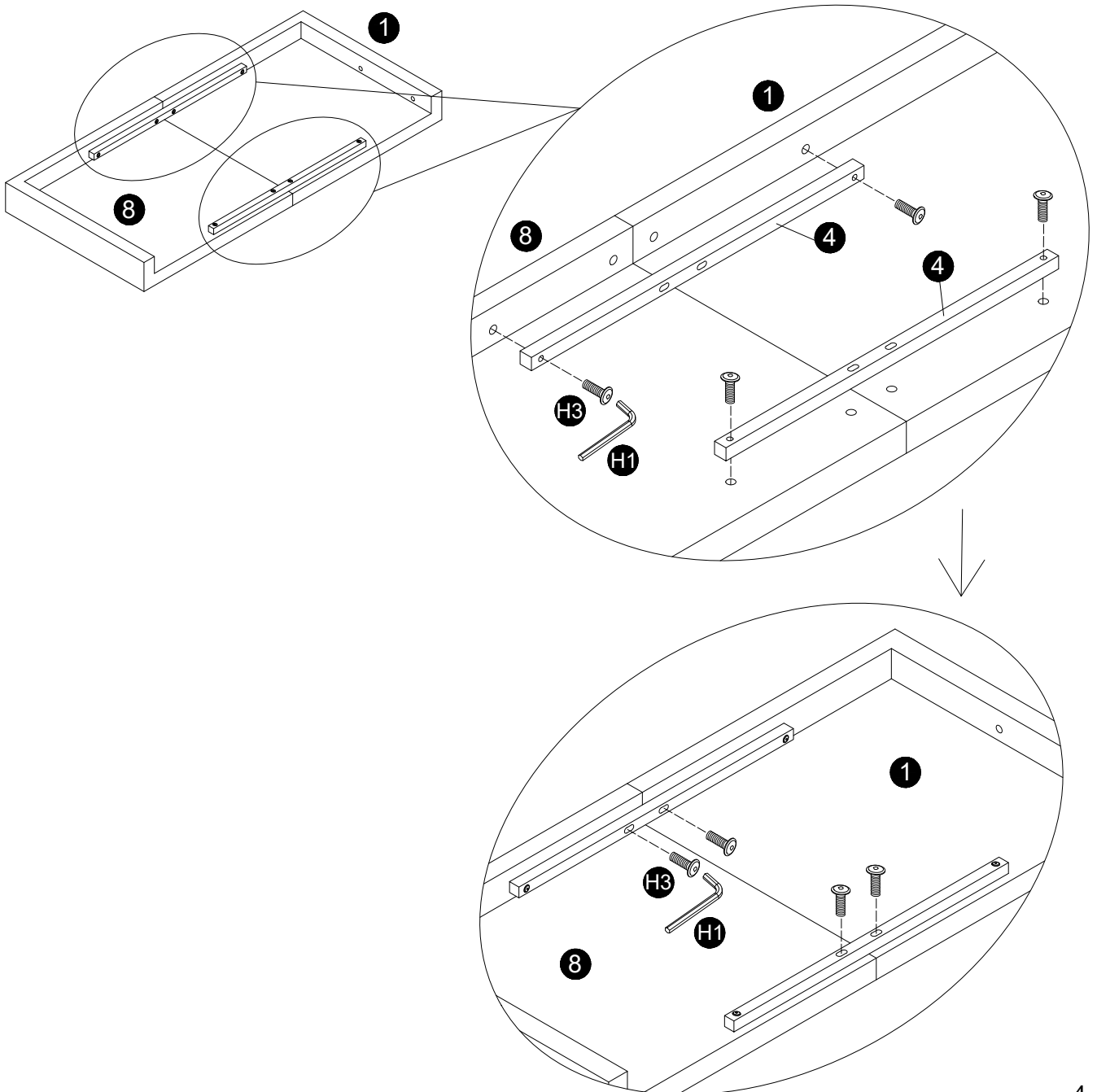


Please ensure to thoroughly inspect the small inner cardboard box containing the hardware, which are tied with a red string, before disposing of the box.

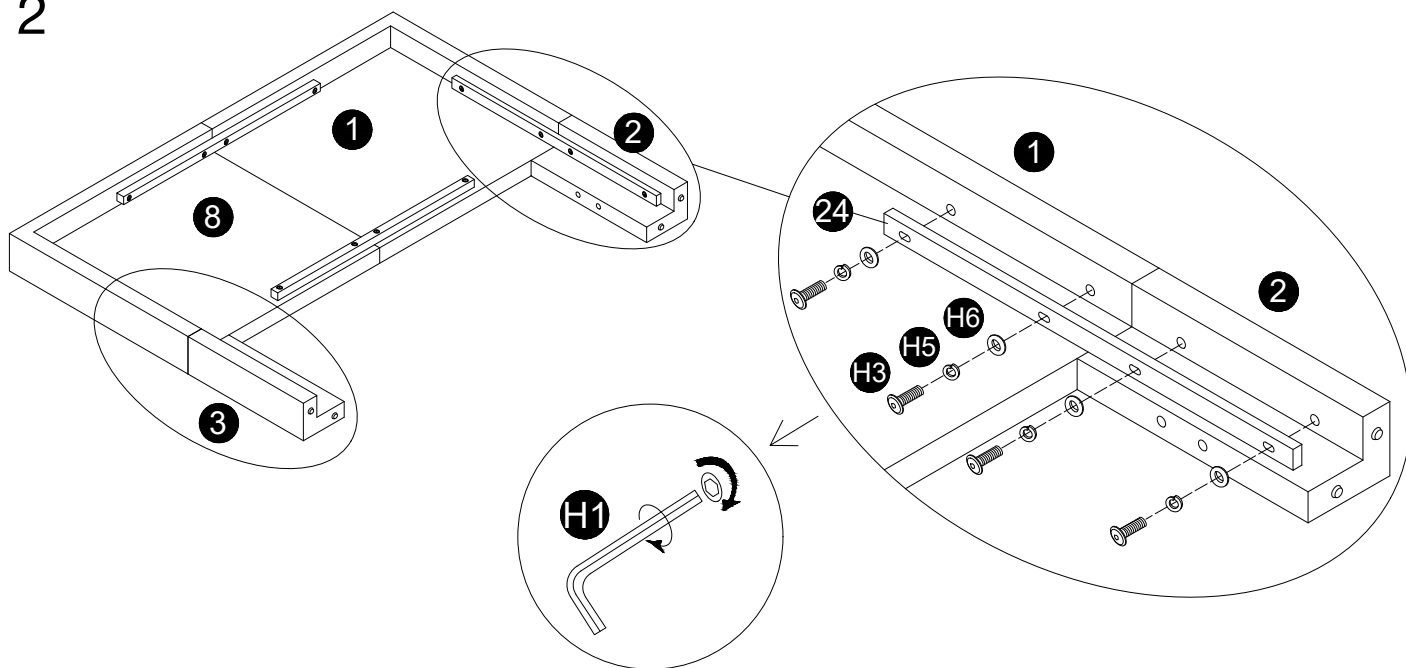
HARDWARE LIST

 H1 M5 x 1pc	 H2 M8x25mm x 46pcs	 H3 M8x50mm x 30pcs	 H5 M8 x 14pcs
 H6 M8x22mm x 14pcs	 H7 M8 x 6pcs	 H8 M14 x 1pc	

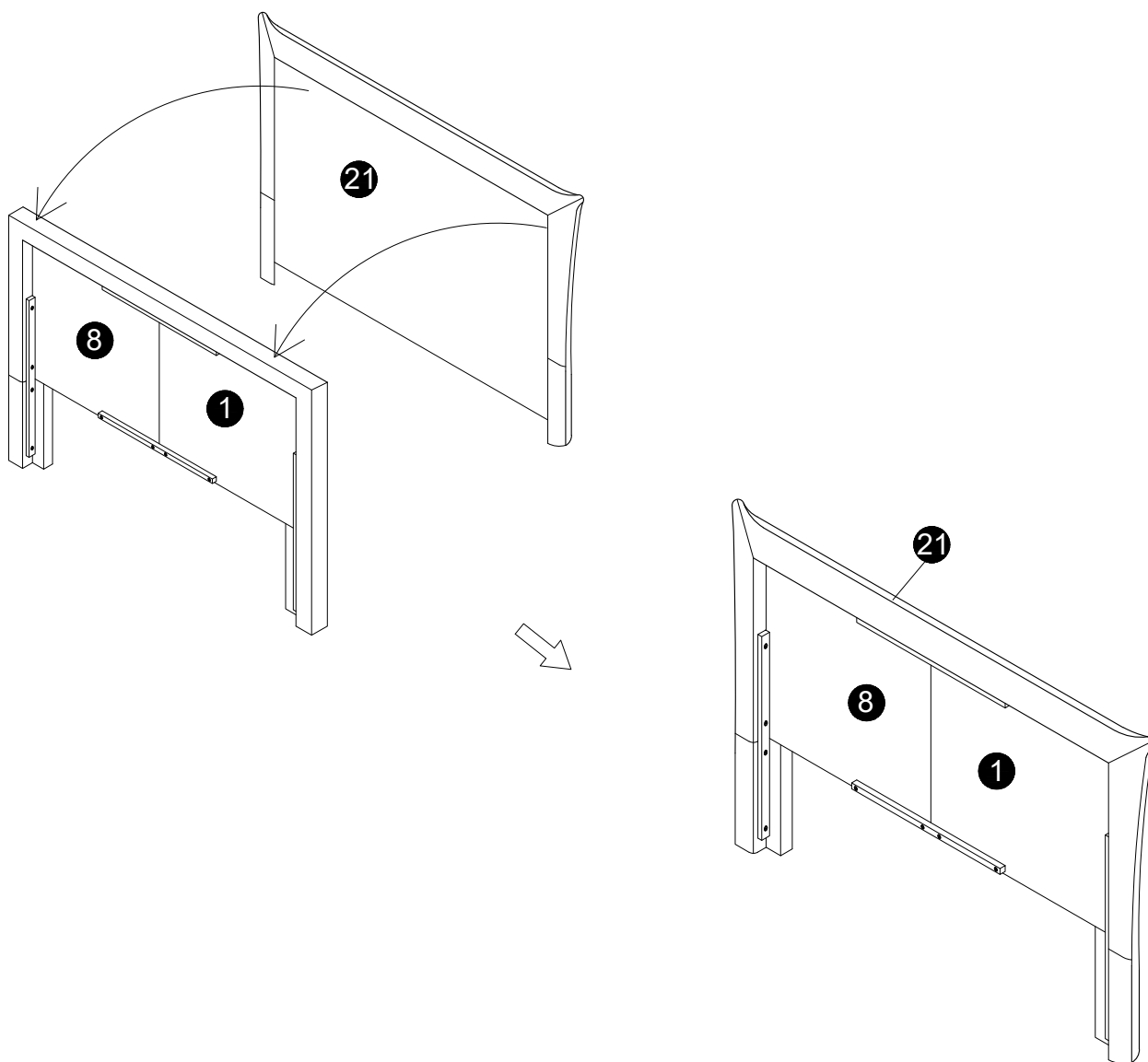
1



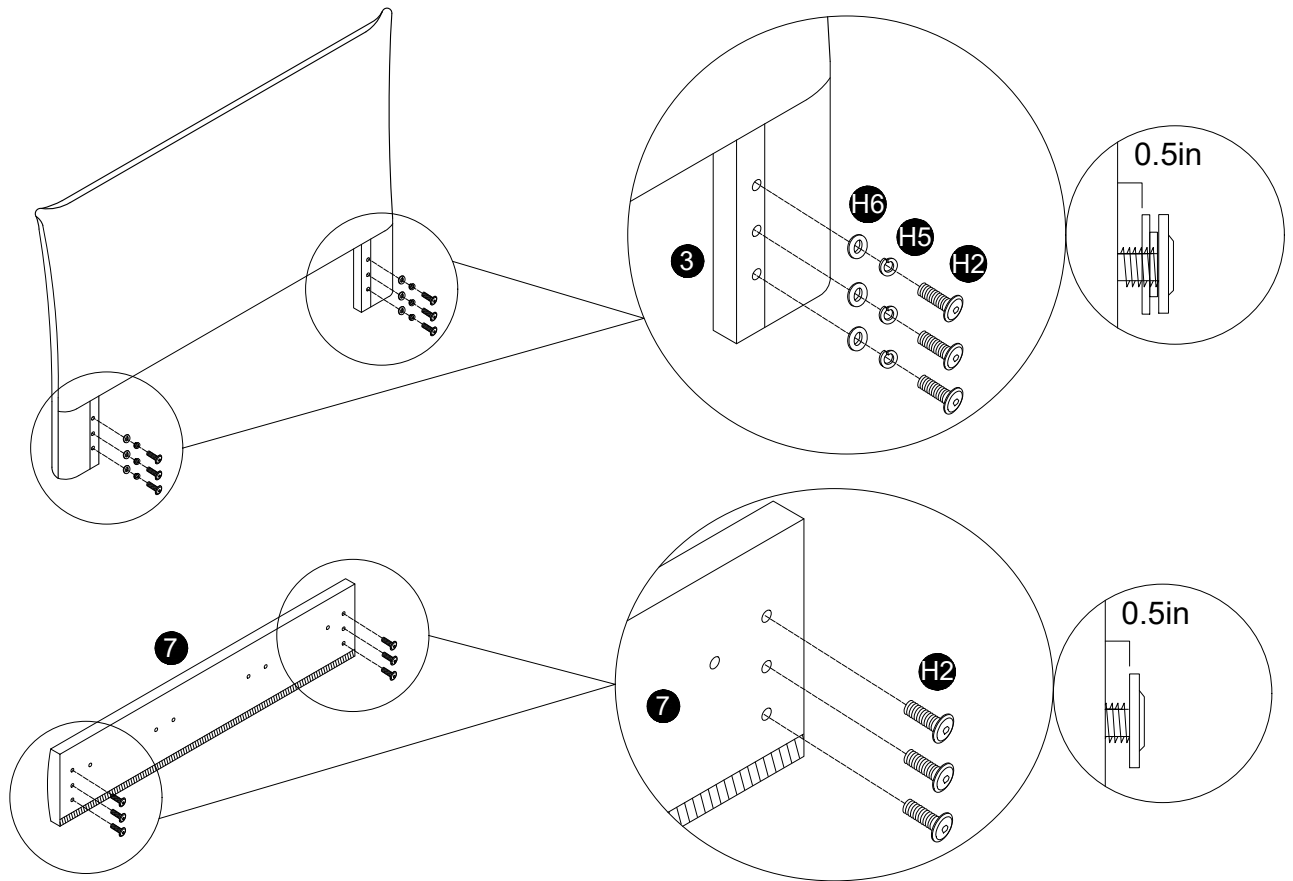
2



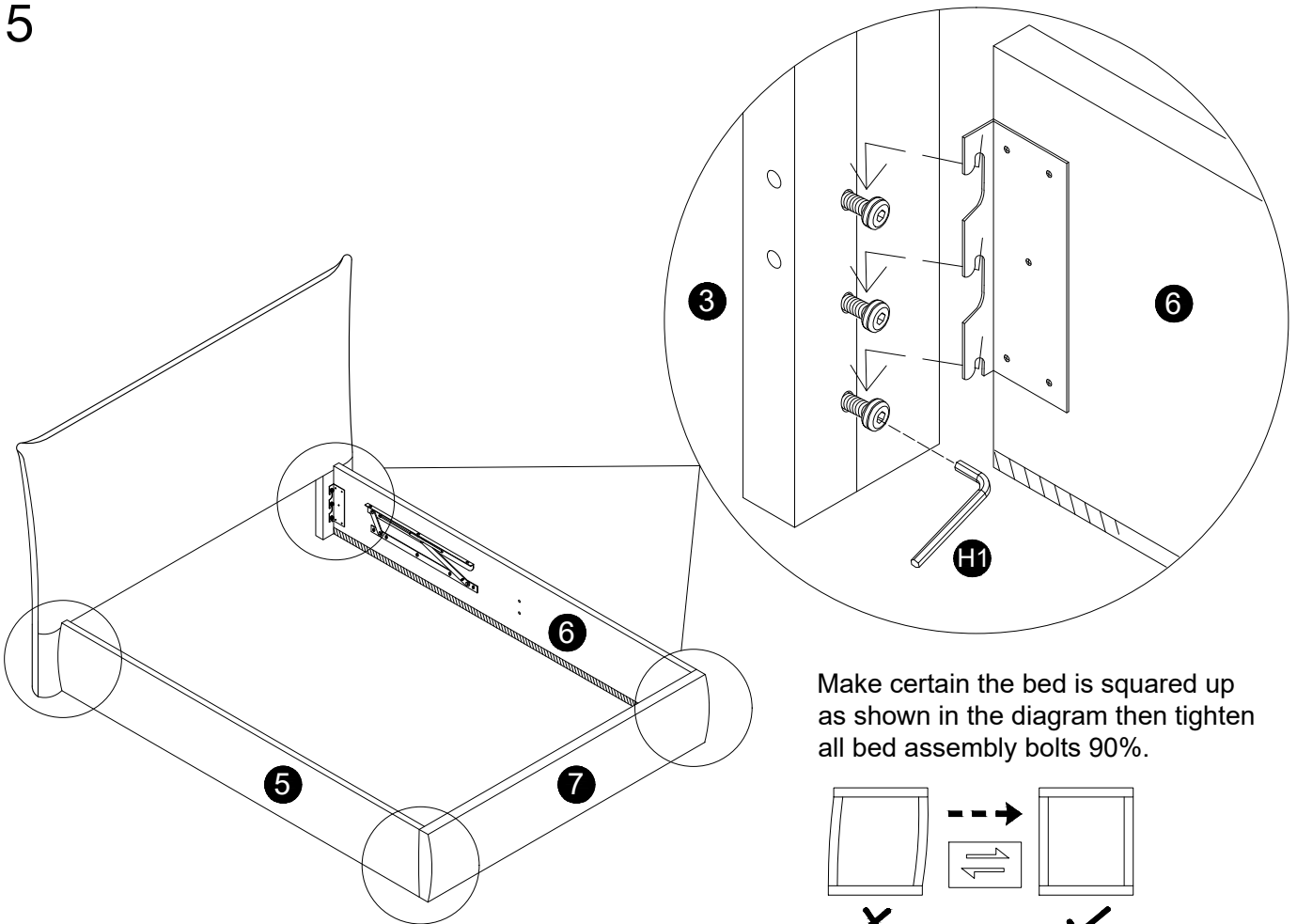
3



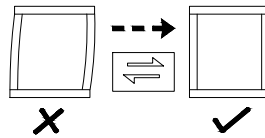
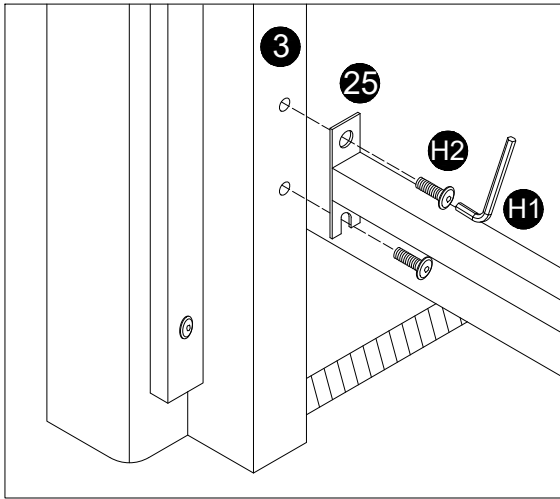
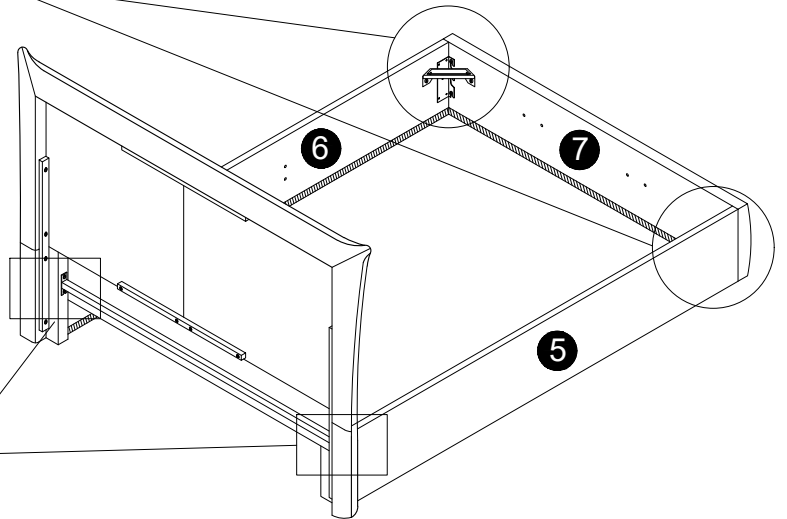
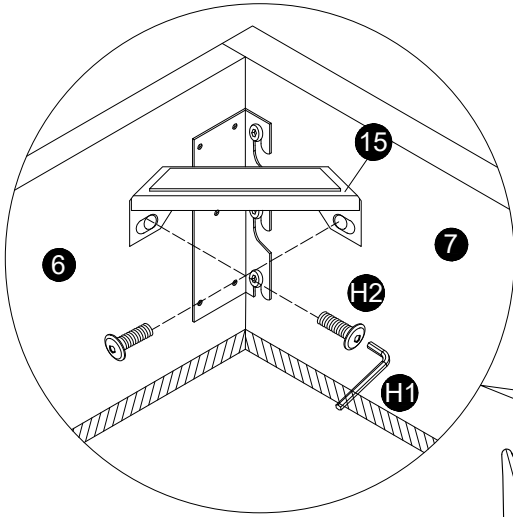
4



5

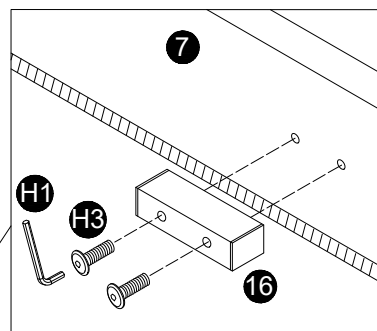
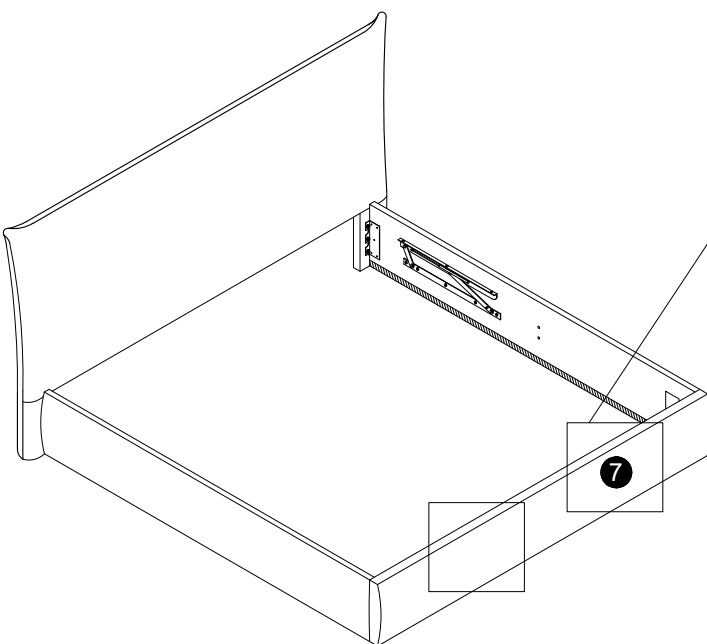


6

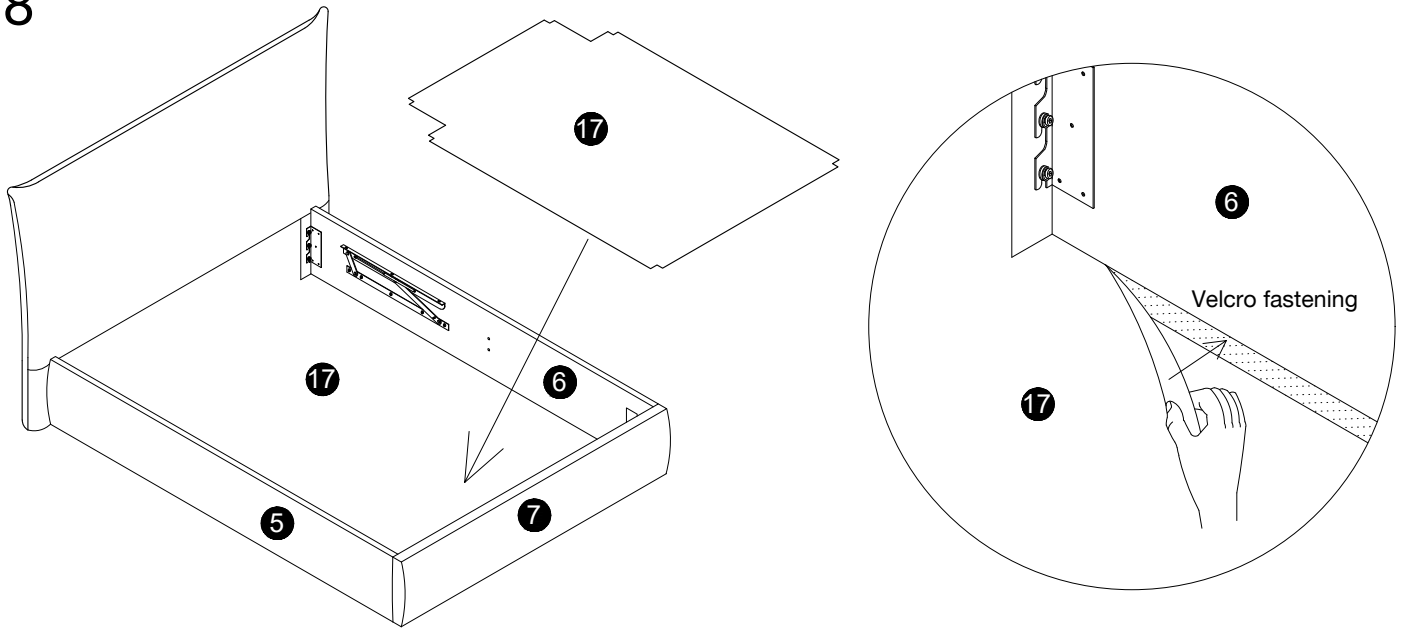


Make certain the bed is squared up as shown in the diagram then tighten all bed assembly bolts 100%.

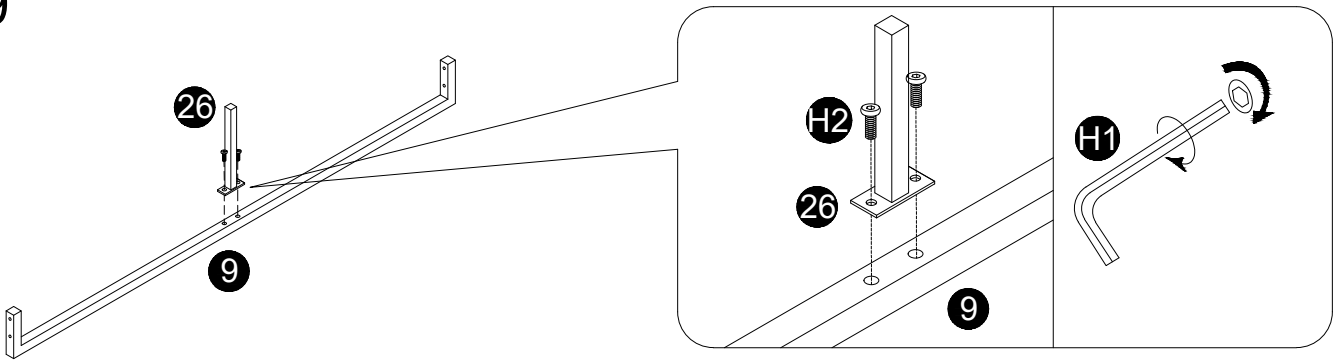
7



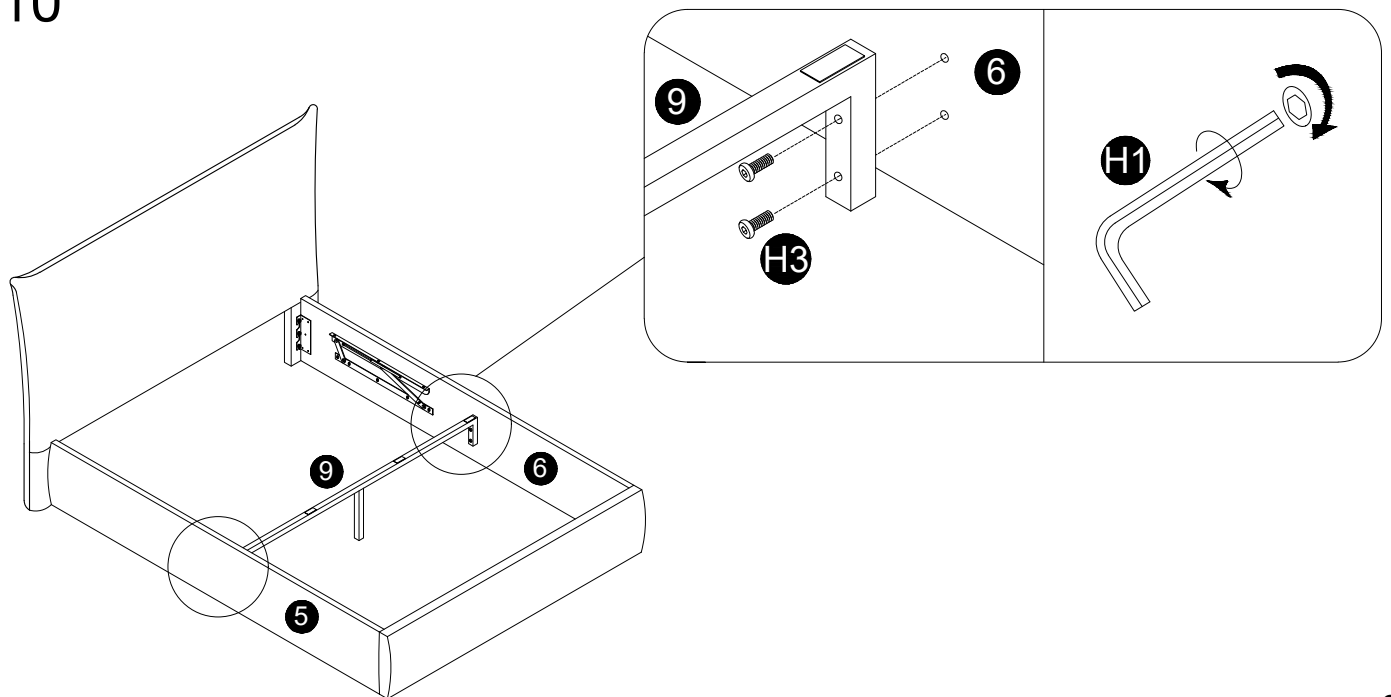
8



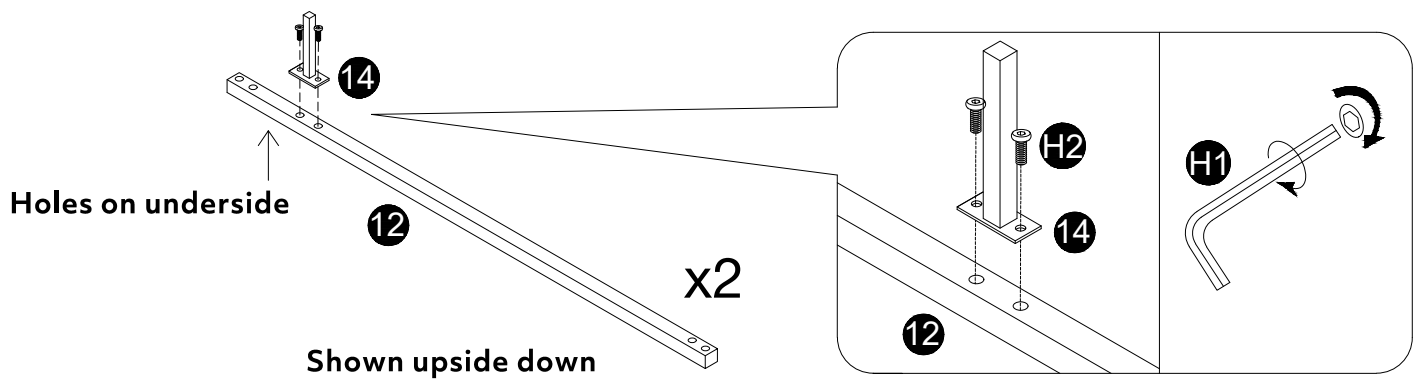
9



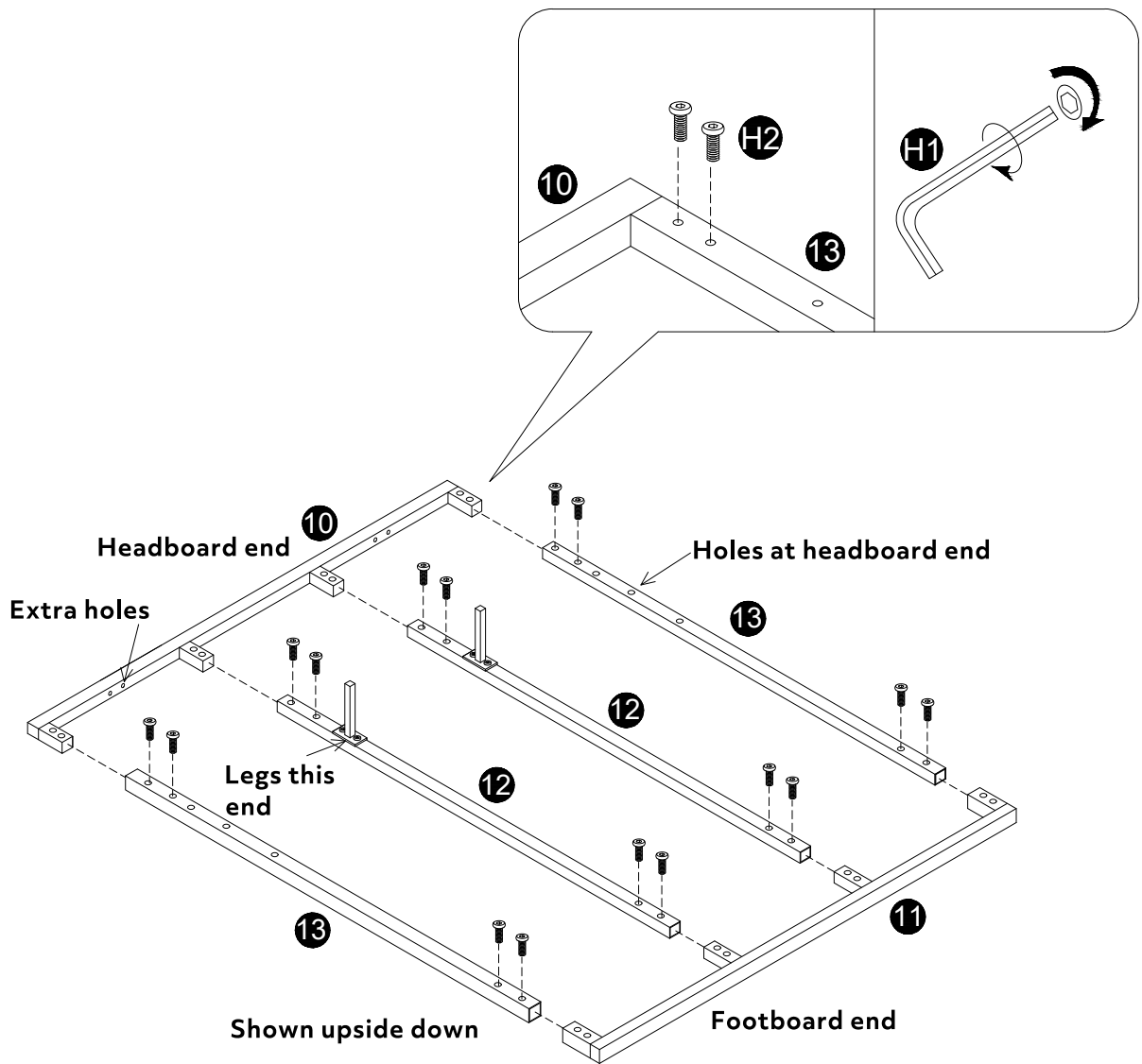
10



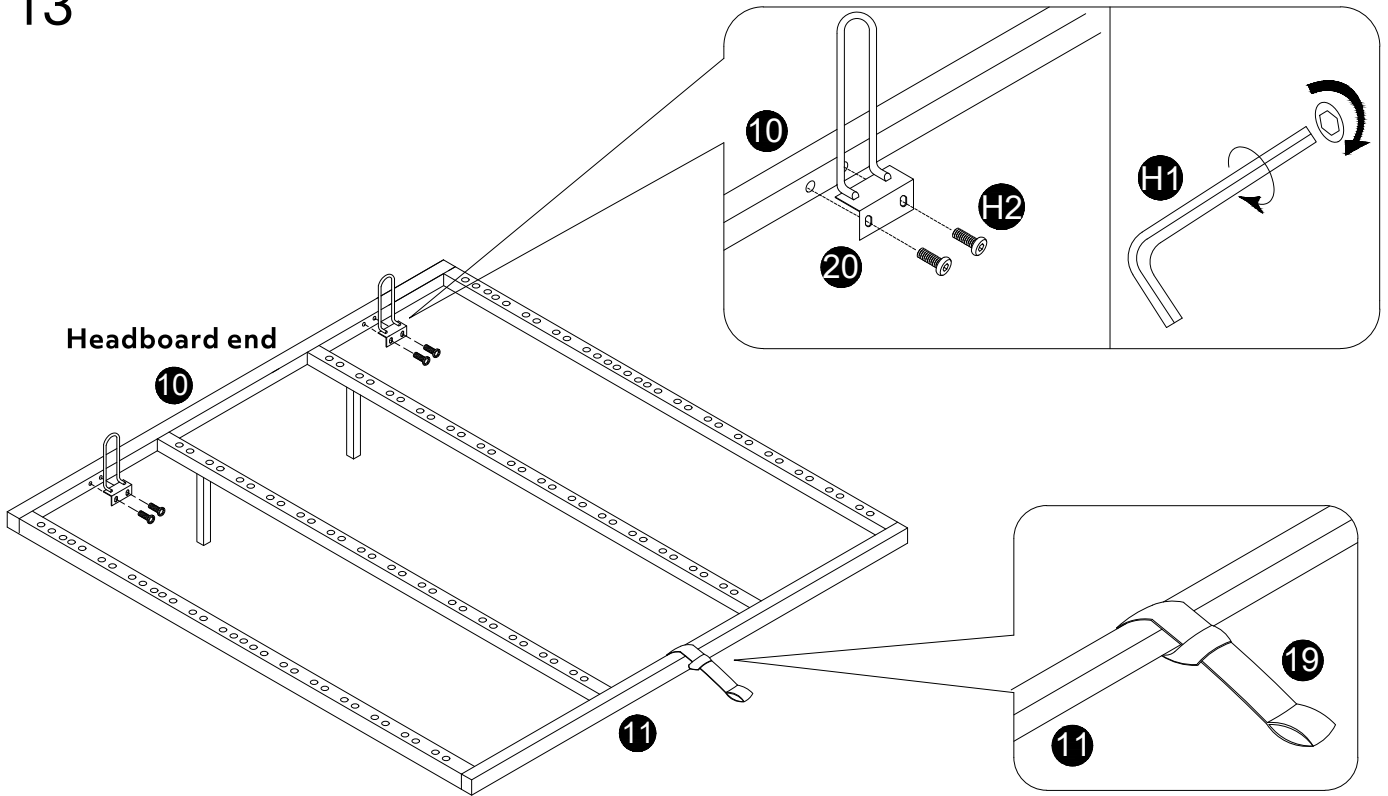
11



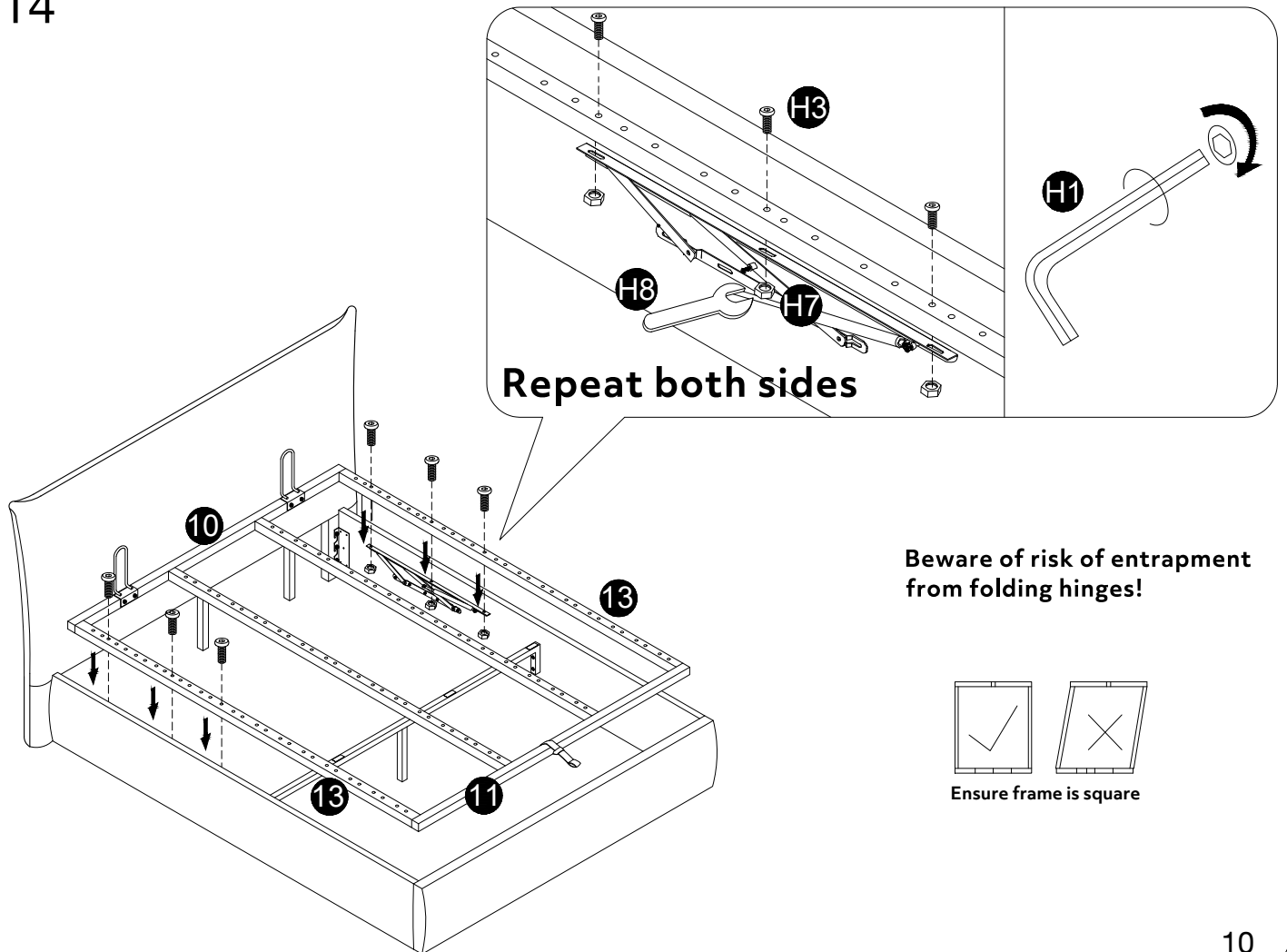
12



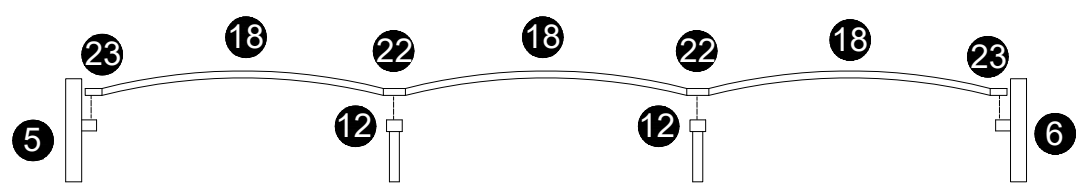
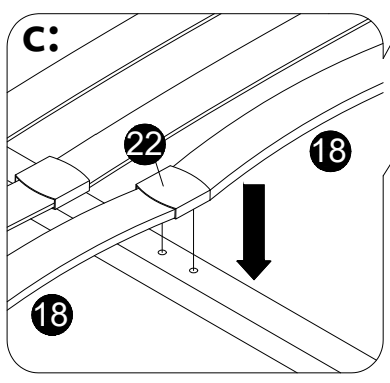
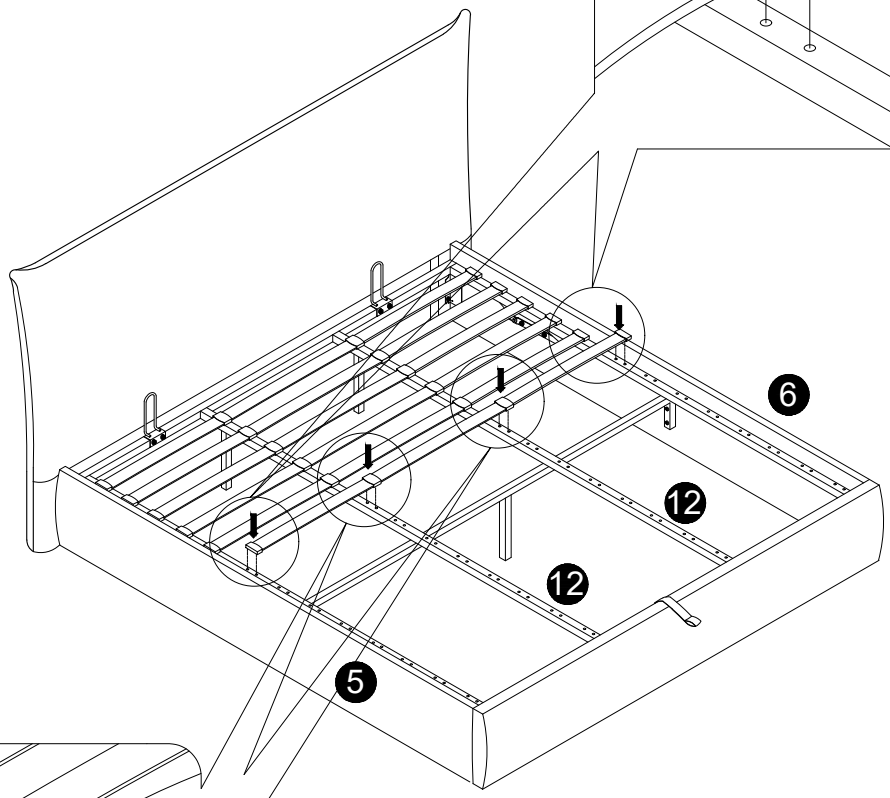
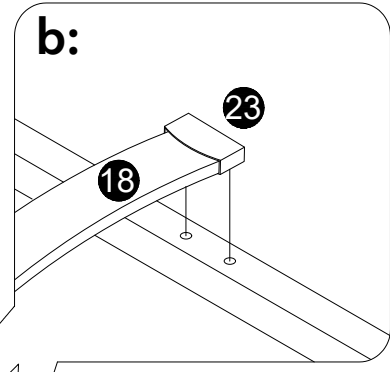
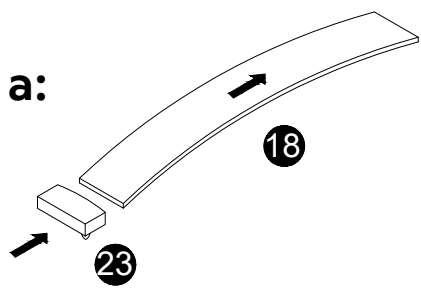
13



14

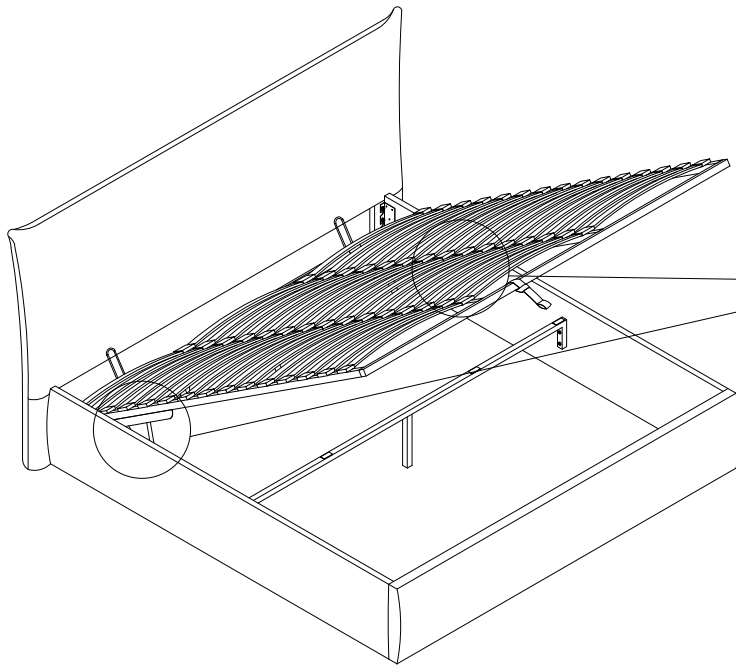


15

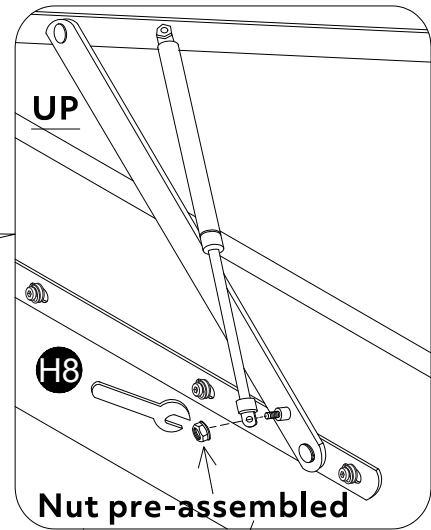


Slats to arch upwards

16



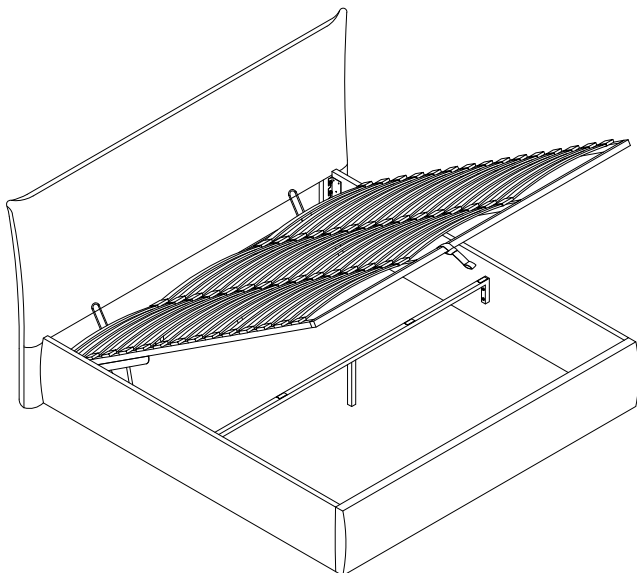
Warning: Two people required. Frame to be fully supported at all times!



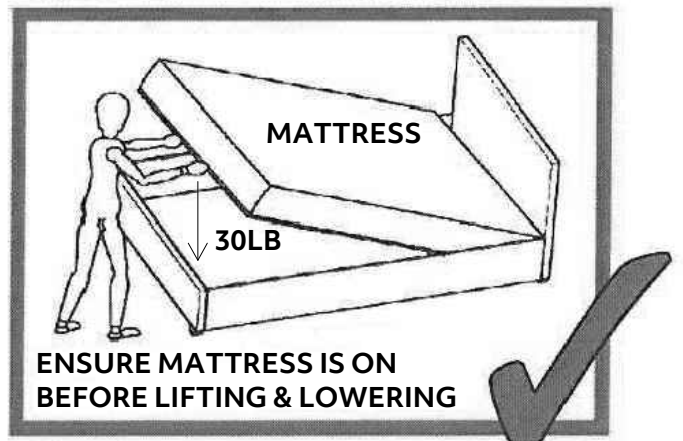
Repeat both sides

Important: Before proceeding, check and ensure all screws and fixings are fully tightened.

17



After placing the mattress on frame, push down the frame with 30lbs force.



! Only lift when the mattress is in place. Place mattress & Carefully lower frame down. Keep objects/body part & children away from moving parts.

Job Complete !

In the interest of our environment please dispose of all packaging thoughtfully.