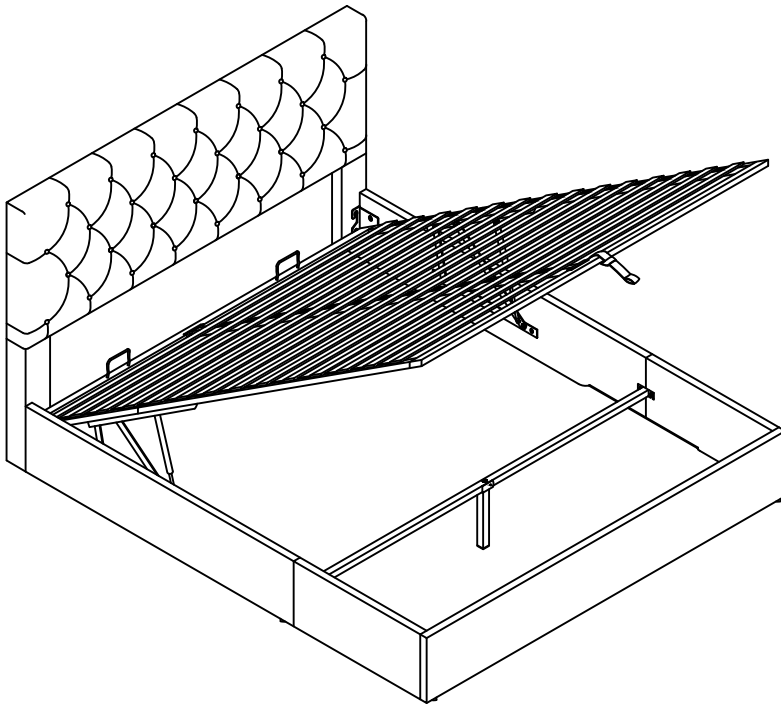


ASSEMBLY INSTRUCTION



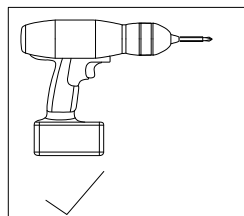
WARNING: OPEN THE HEADBOARD BACK ZIPPER, THE BED REST PARTS IN IT.



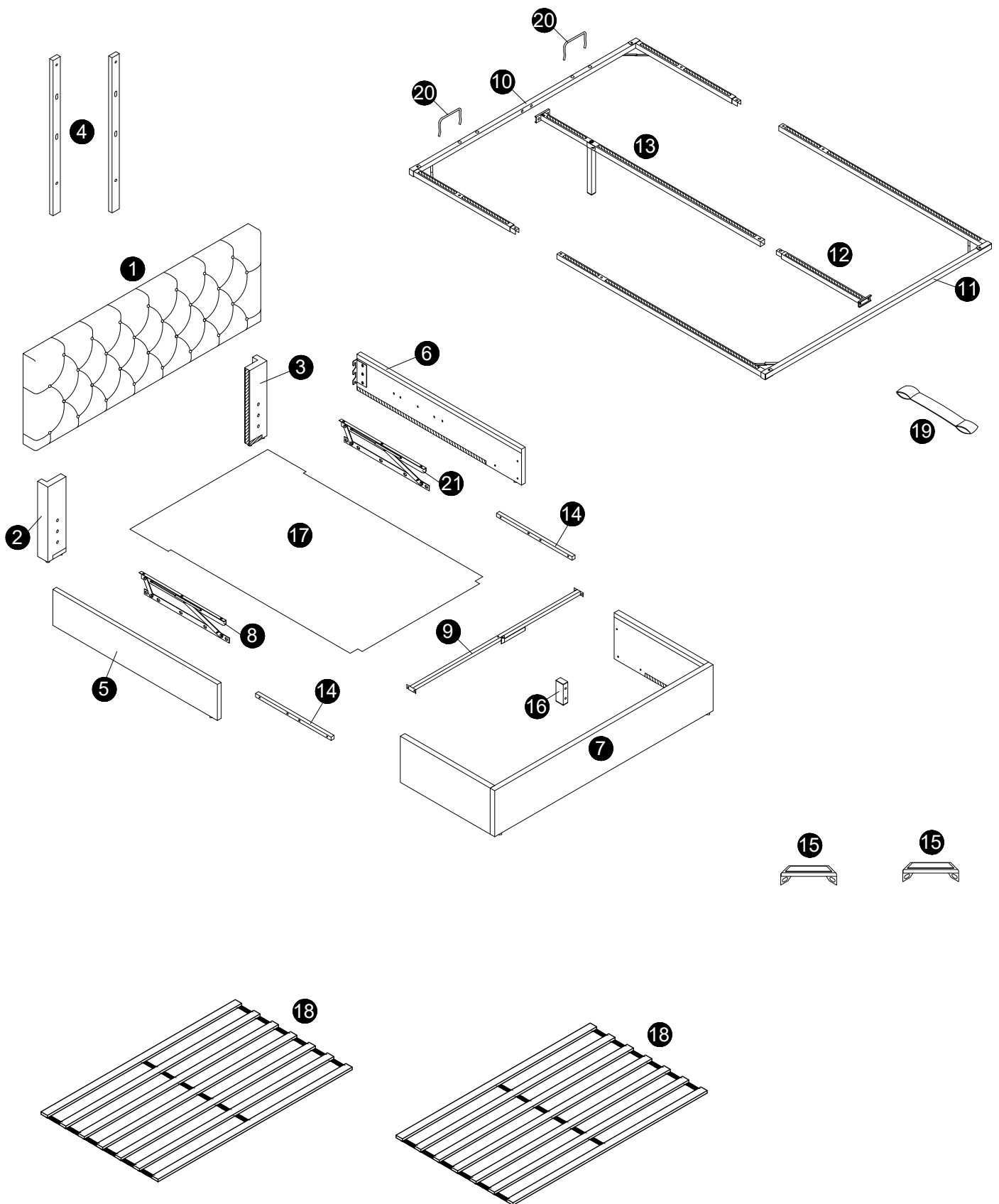
**Please TEAR OFF this shrink film from side!
DO NOT USE CUTTER!**

IMPORTANT NOTE

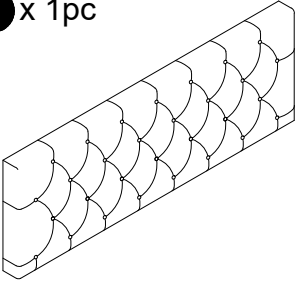

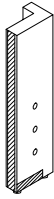
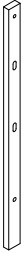
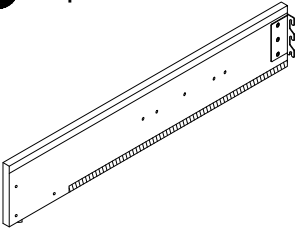
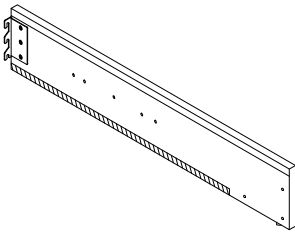
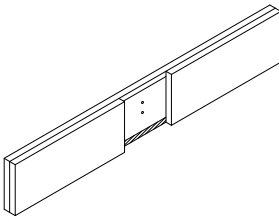
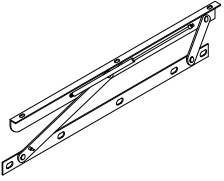
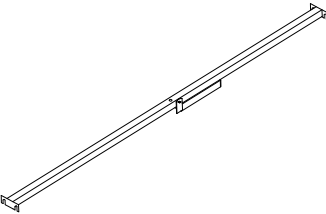
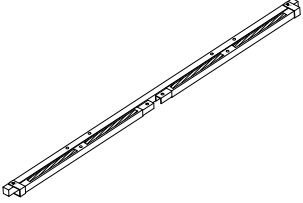
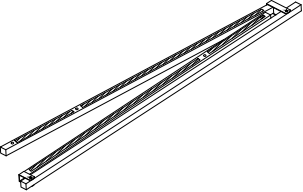
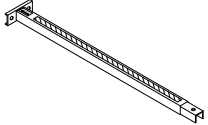
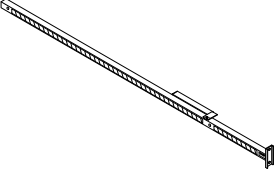
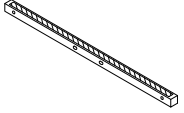


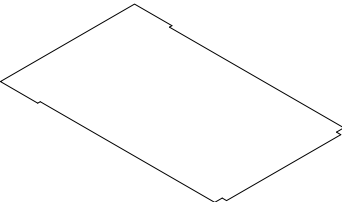
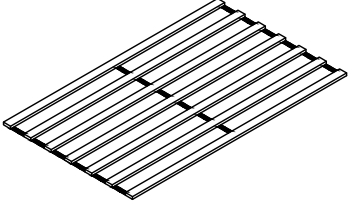
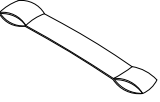
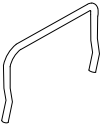
- 1. PLEASE OPEN THE ZIPPER LOCATED ON THE HEADBOARD TO ACCESS ALL THE OTHER COMPONENTS BEFORE PROCEEDING WITH THE ASSEMBLY.**
2. FOR THE PROTECTION OF YOUR FURNITURE, PLACE ALL PARTS ON A CLEAN AND SMOOTH SURFACE TO PREVENT ANY DAMAGE.
3. DO NOT USE POWER TOOLS TO ASSEMBLE THE BED.
4. PLEASE PERIODICALLY CHECK ALL FITTINGS AND RE-TIGHTEN AS NECESSARY.
5. DO NOT USE THE BED UNLESS ALL BOLTS AND SCREWS ARE FIRMLY SECURED.
6. NEED PARTS OR ASSISTANCE? EMAIL US
7. YOU CAN ASSEMBLE IT WITH OUR PACKAGING TOOLS OR WITH A.



PART LIST



PART LIST

<p>1 x 1pc</p> 	<p>2 x 1pc</p> 	<p>3 x 1pc</p> 	<p>4 x 2pcs</p> 
<p>5 x 1pc</p> 	<p>6 x 1pc</p> 	<p>7 x 1pc</p> 	<p>8 x 1pc</p> 
<p>9 x 1pc</p> 	<p>10 x 1pc</p> 	<p>11 x 1pc</p> 	<p>12 x 1pc</p> 
<p>13 x 1pc</p> 	<p>14 x 2pcs</p> 	<p>15 x 2pcs</p> 	<p>16 x 1pc</p> 
<p>17 x 1pc</p> 	<p>18 x 2pcs</p> 	<p>19 x 1pc</p> 	<p>20 x 2pcs</p> 
<p>21 x 1pc</p> 			

HARDWARE LIST



H1 M5 x 1pc



H2 M8x25mm x 29pcs



H3 M8x40mm x 16pcs



H4 M8x60mm x 2pcs



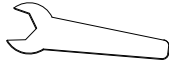
H5 M8 x 47pcs



H6 M8x17mm x 47pcs



H7 M8 x 6pcs



H8 M14 x 1pc



H9 M8x50mm x 8pcs

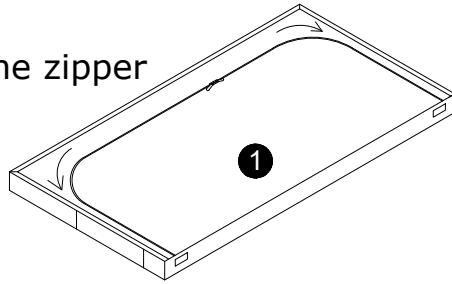


H10 M8x22mm x 8pcs

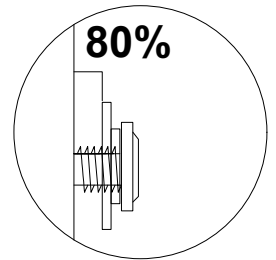
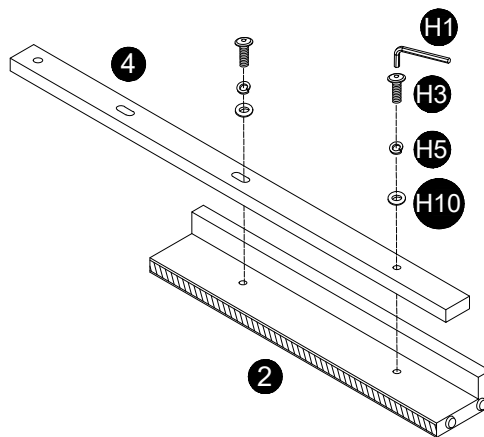
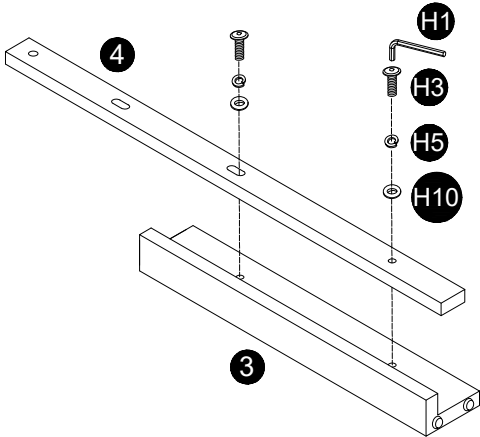
1

NOTE: PLEASE OPEN THE ZIPPER ON THE BACK OF 1 AND TAKE OUT THE PARTS.

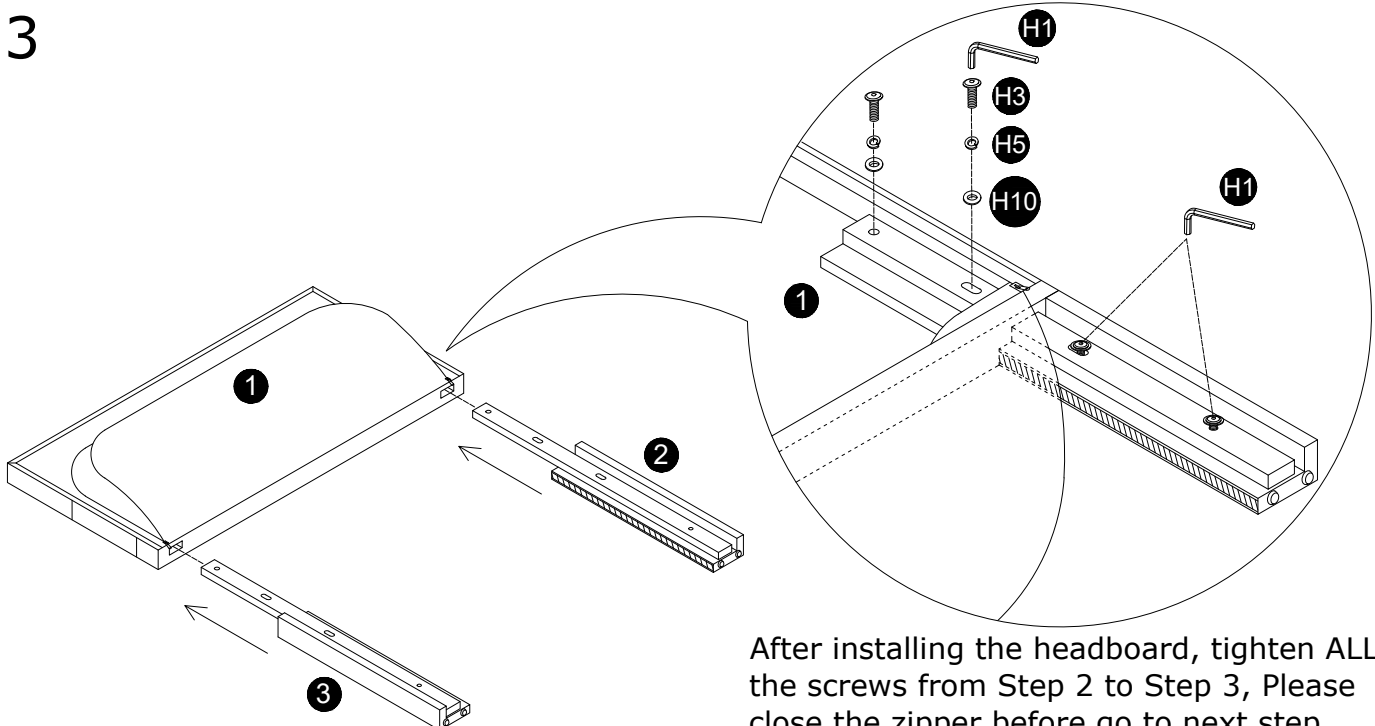
Open the zipper



2

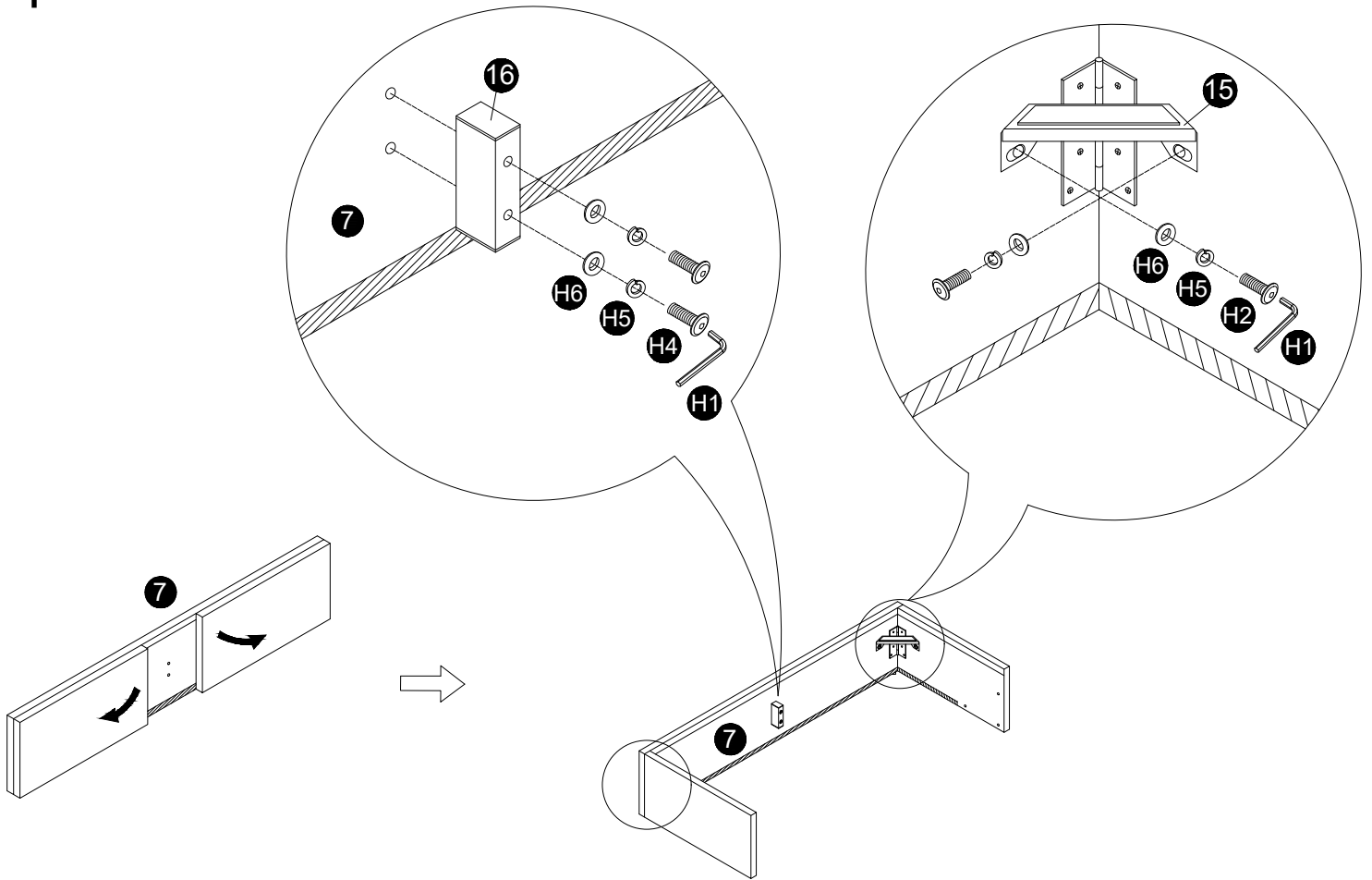


3

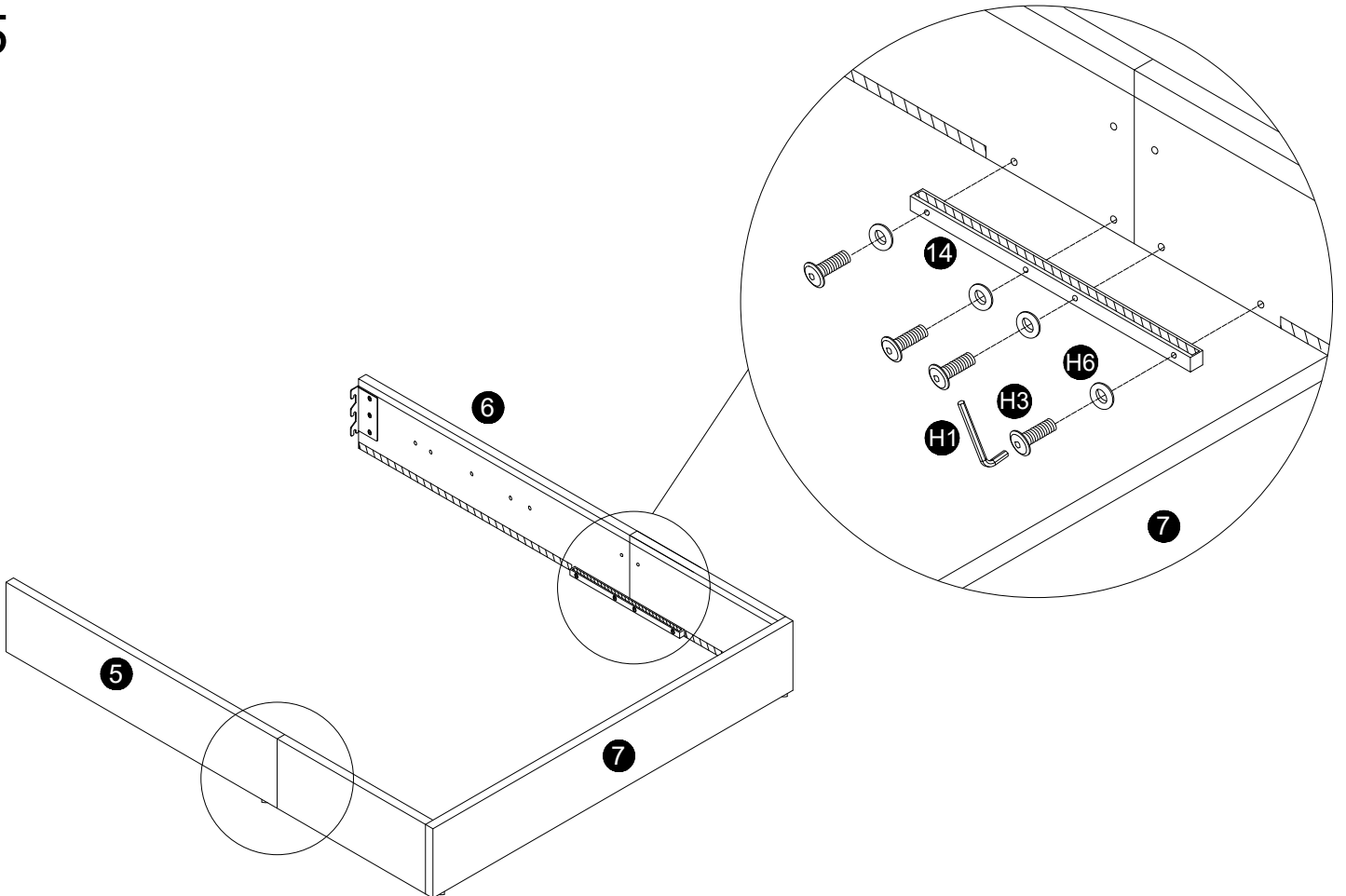


After installing the headboard, tighten ALL the screws from Step 2 to Step 3, Please close the zipper before go to next step.

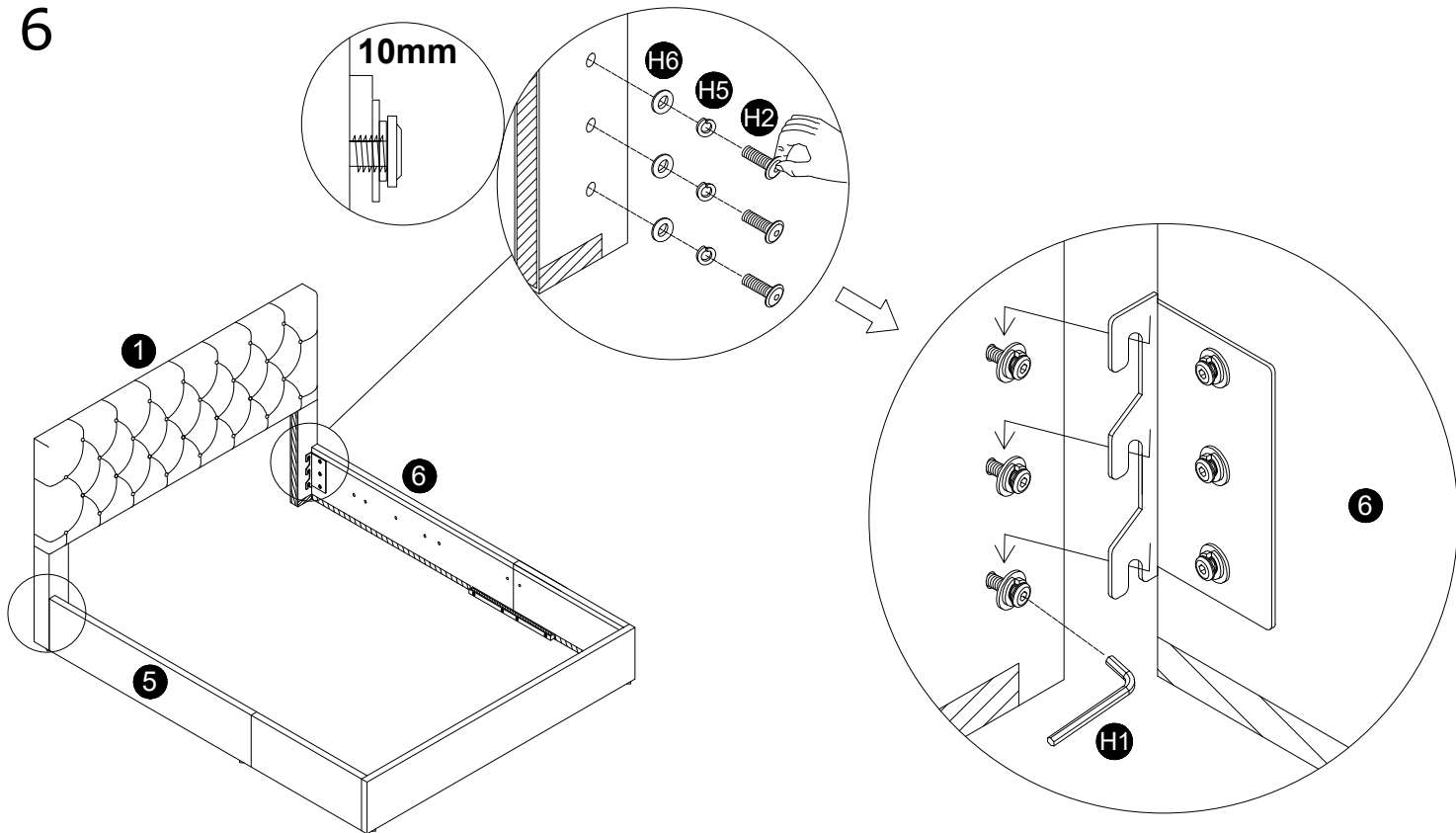
4



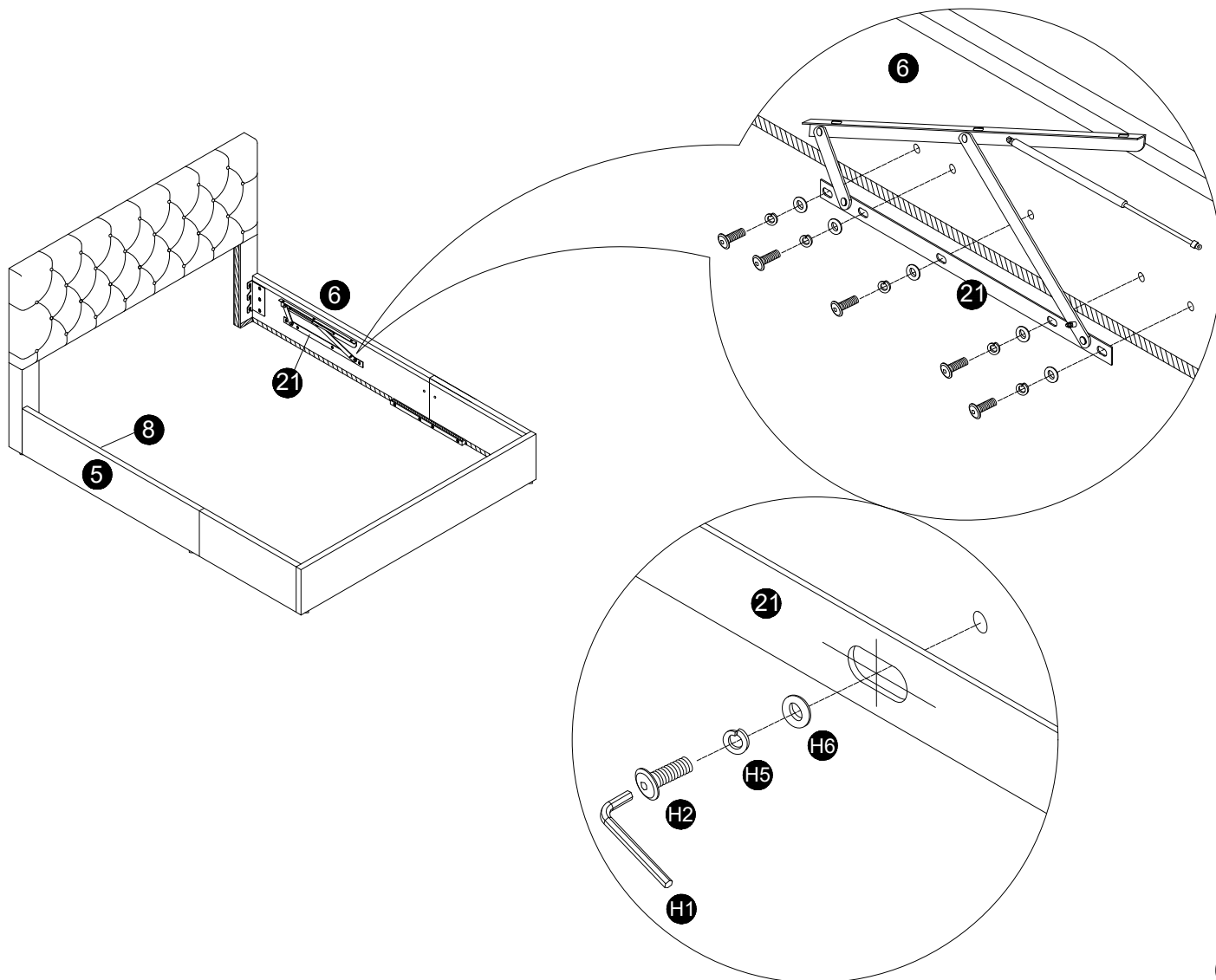
5



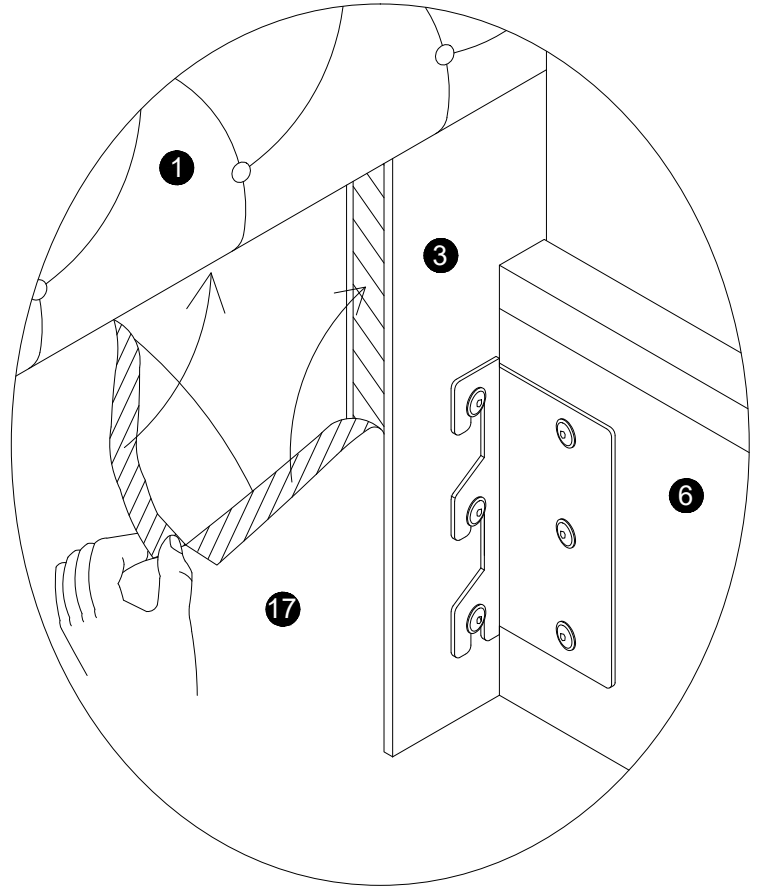
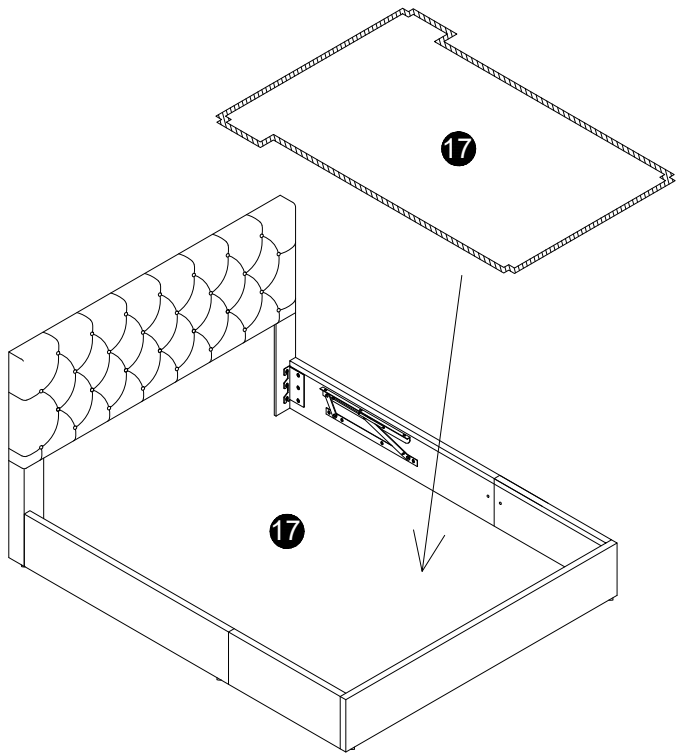
6



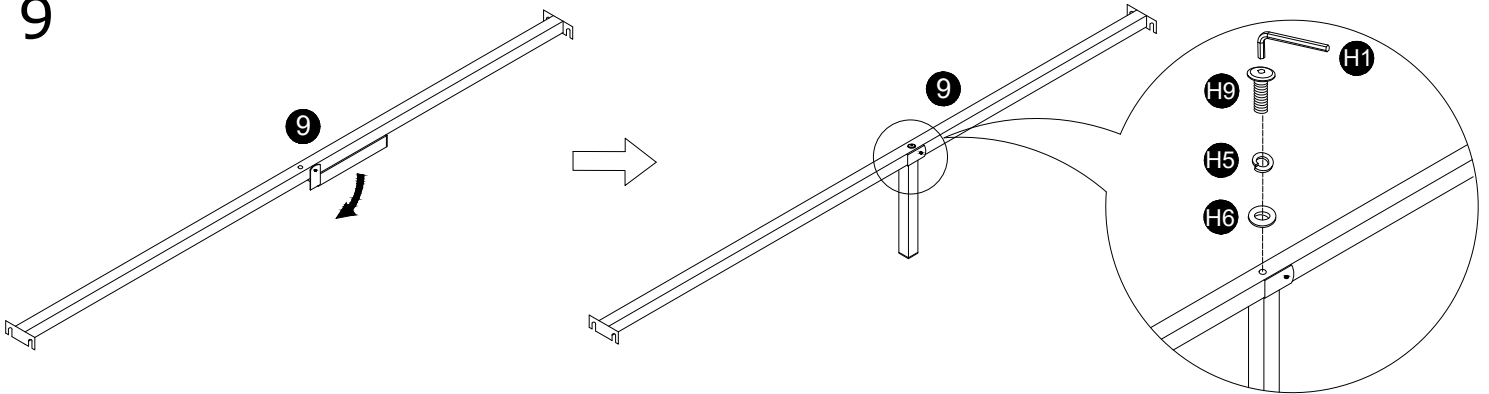
7



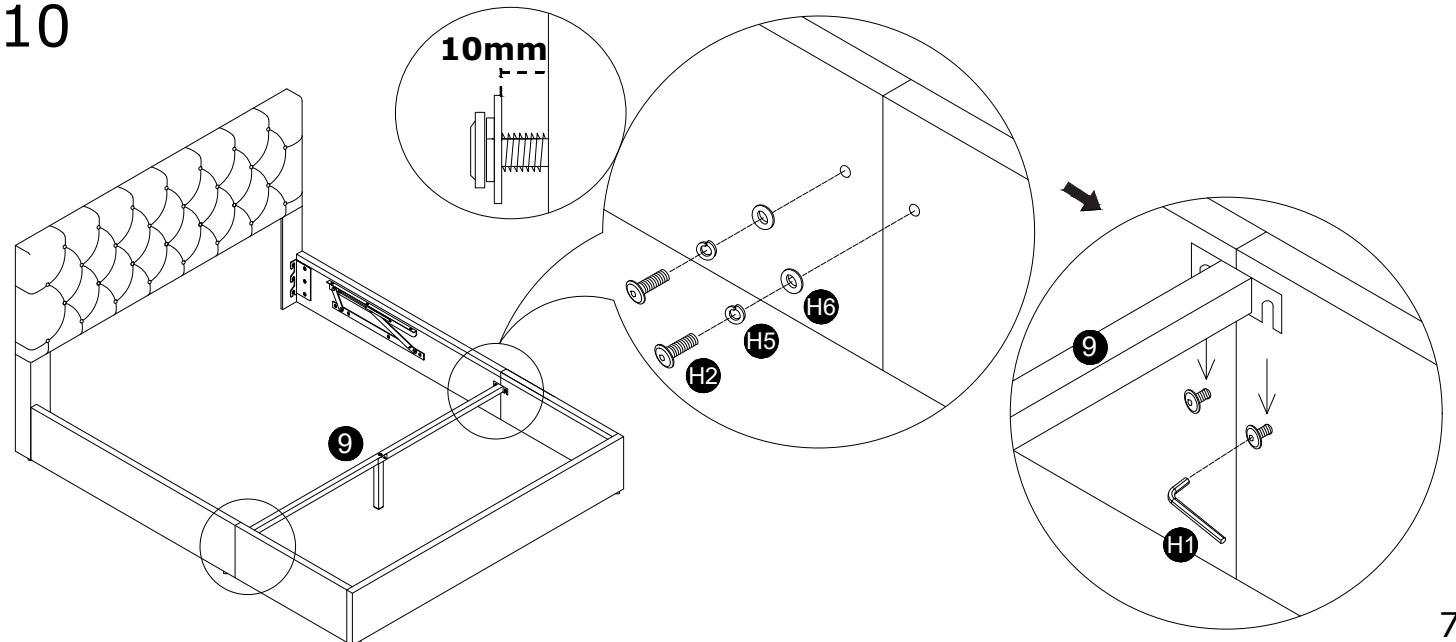
8



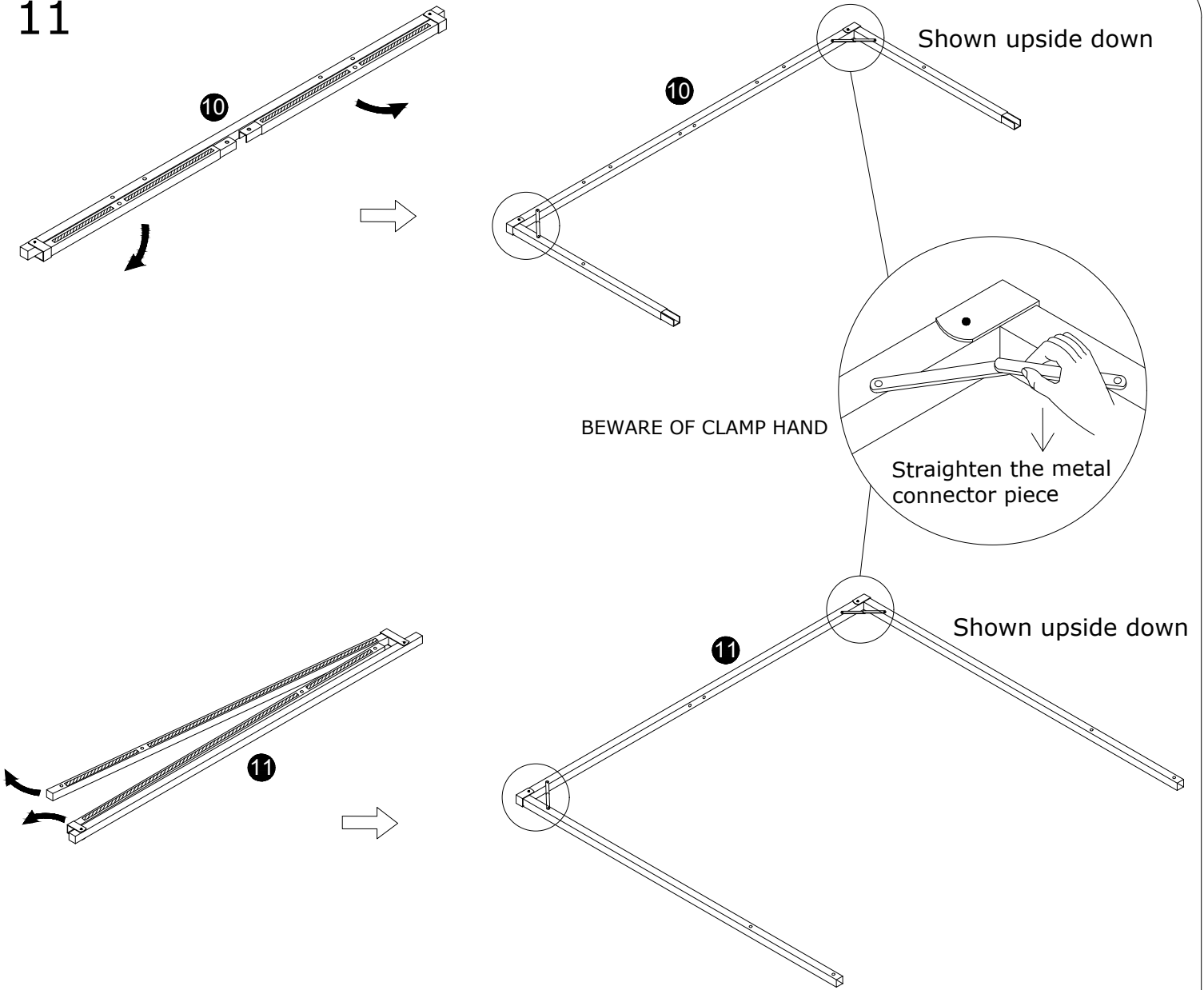
9



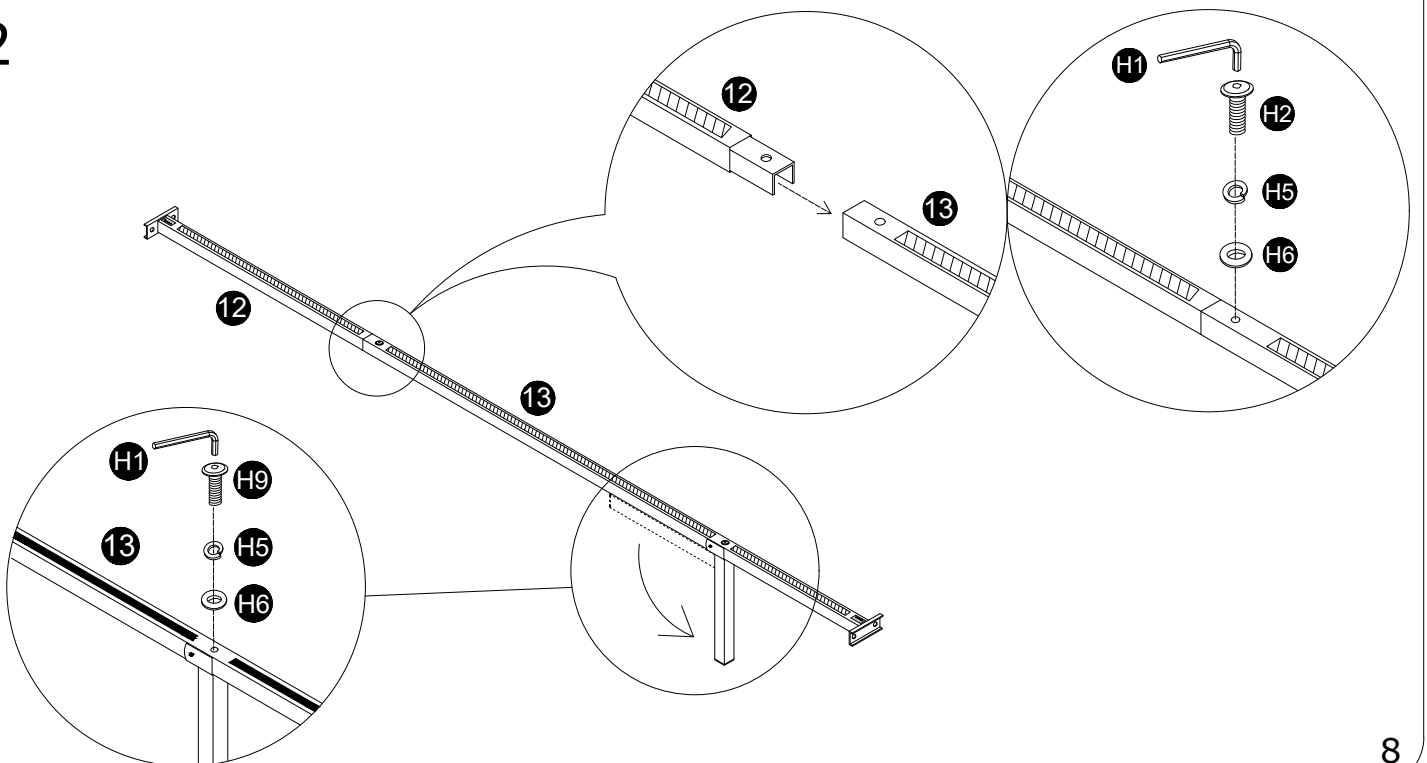
10



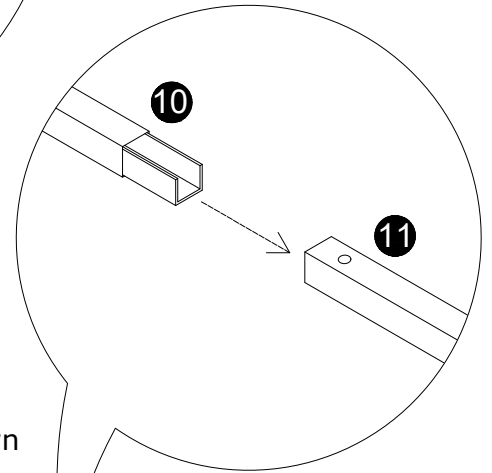
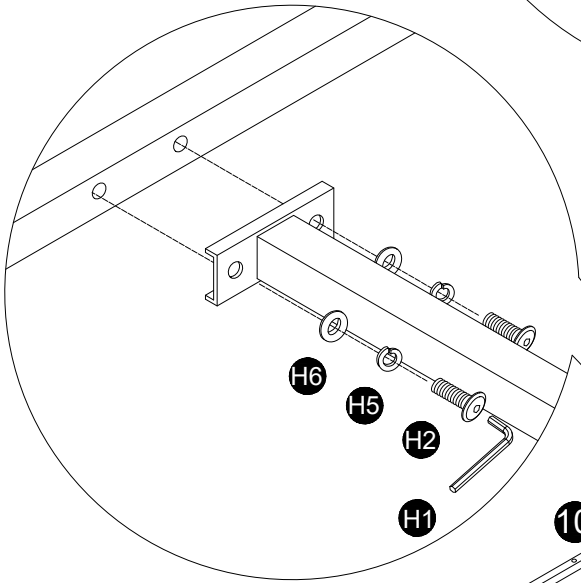
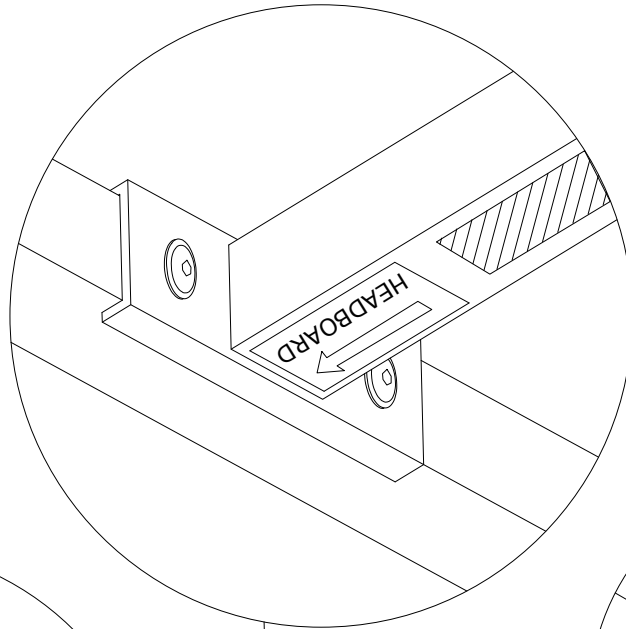
11



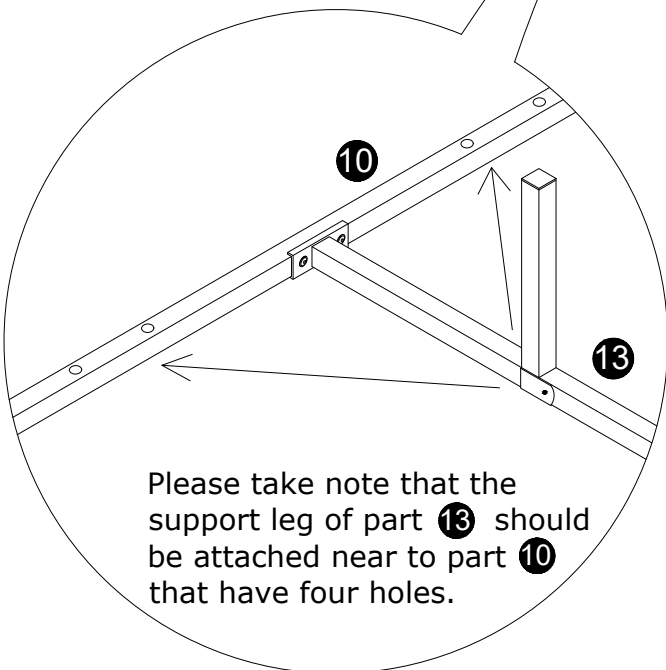
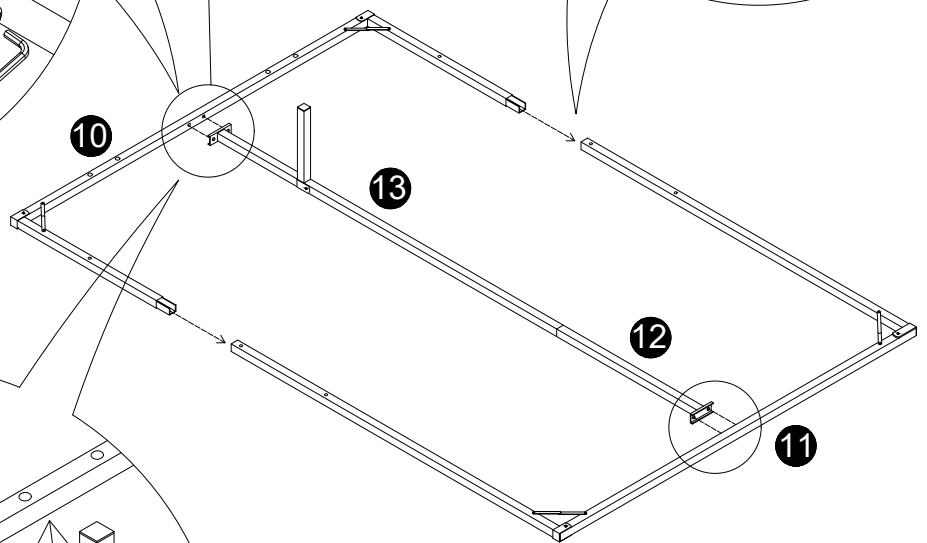
12



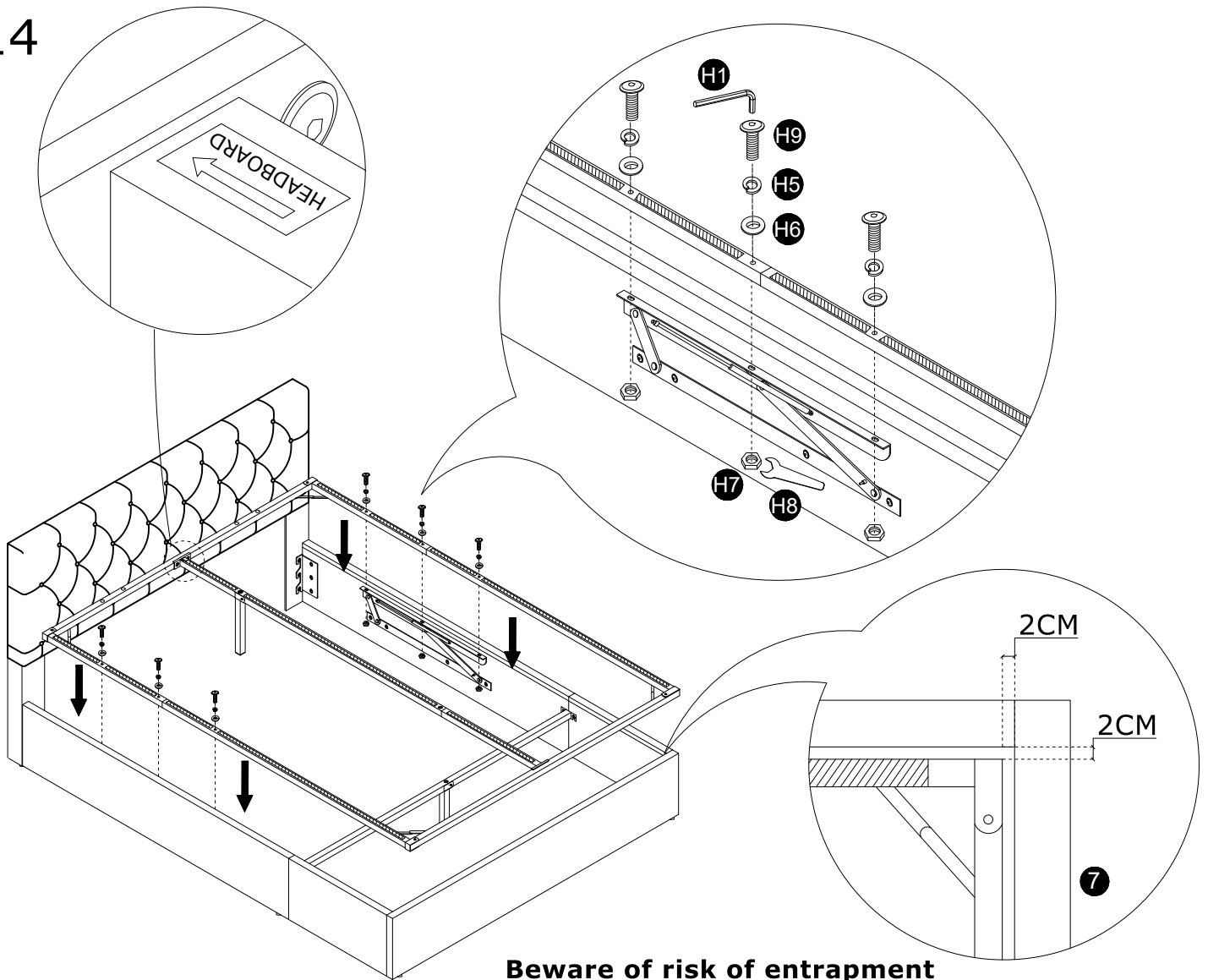
13



Shown upside down

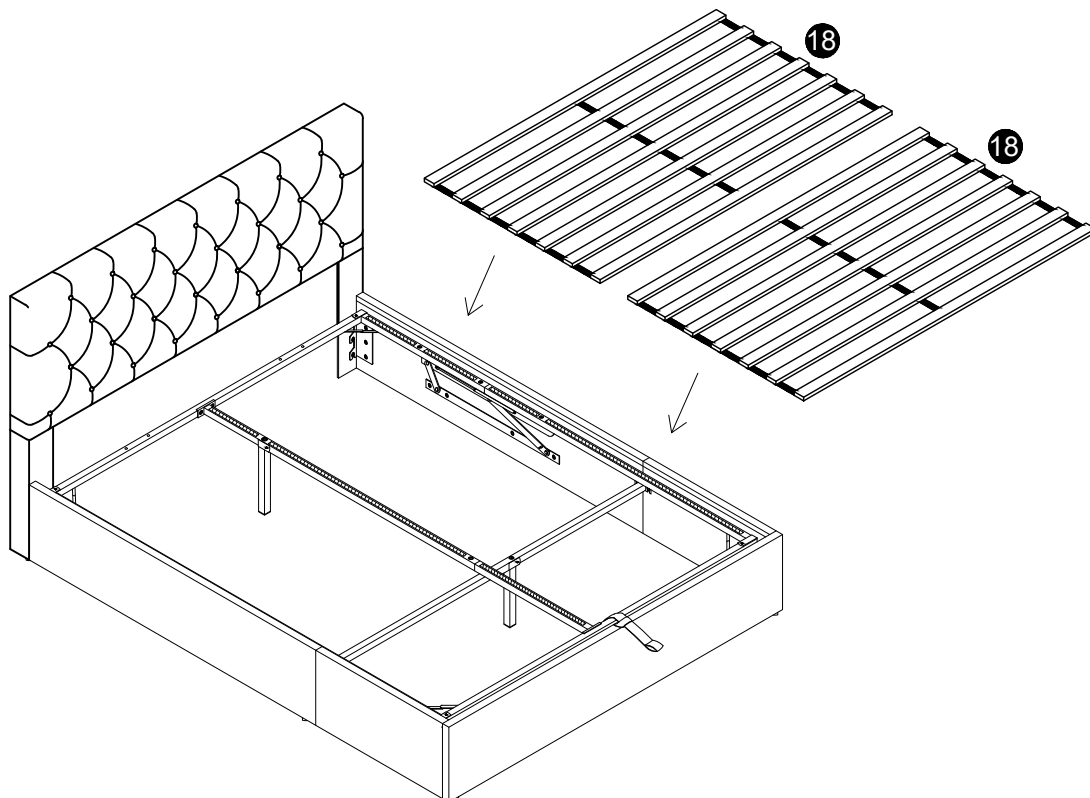


14

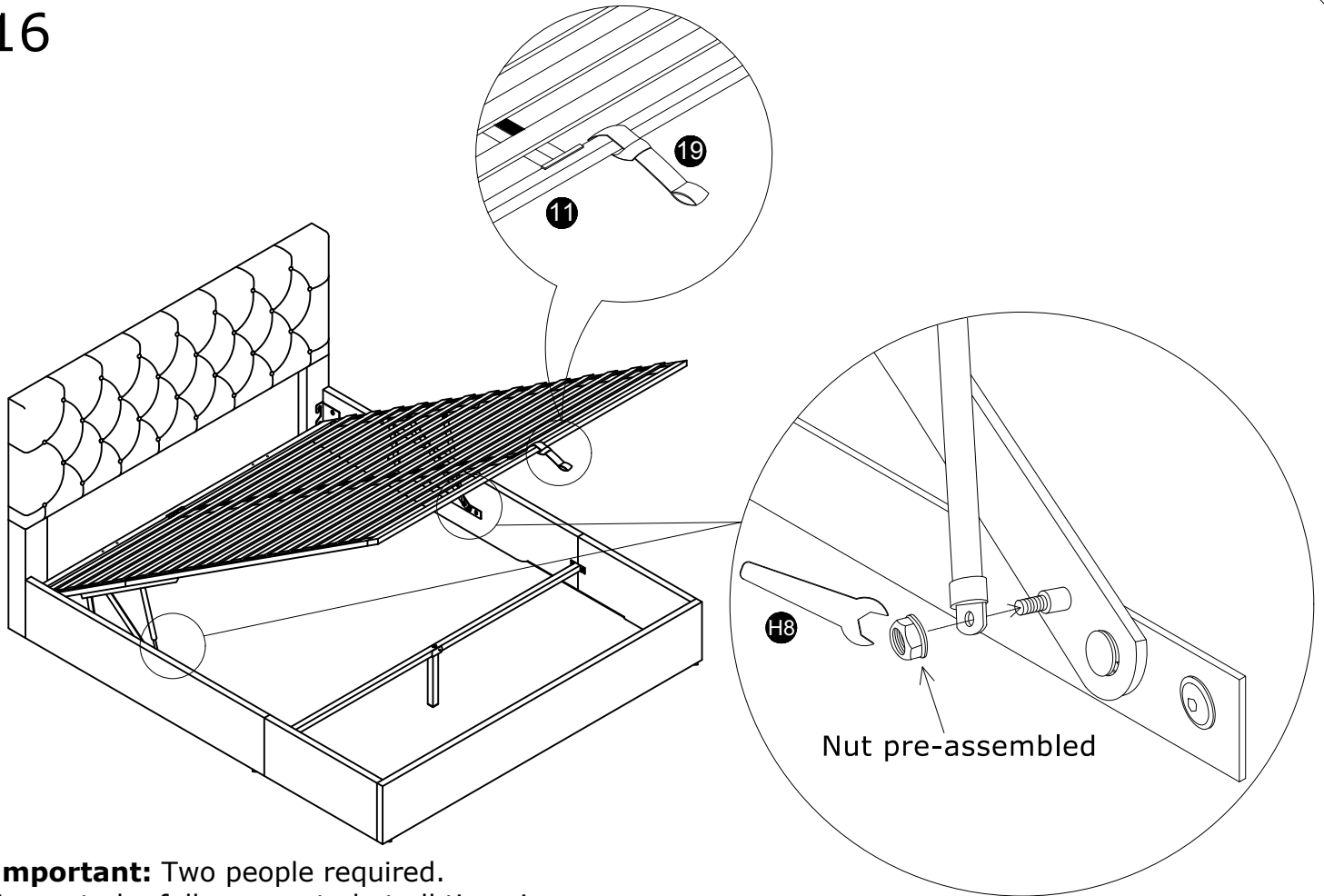


Beware of risk of entrapment from folding hinges!

15

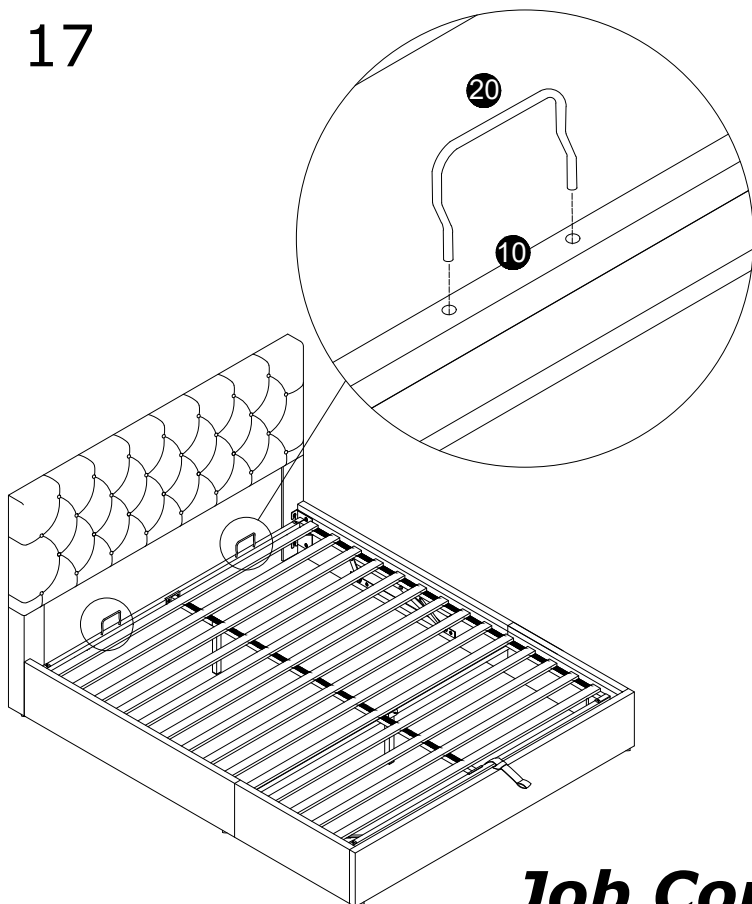


16

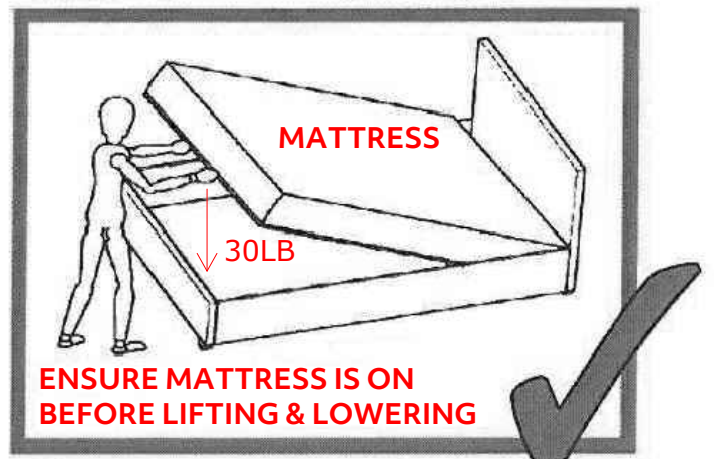


Important: Two people required.
Frame to be fully supported at all times!

17



After placing the mattress on frame,
push down the frame with 30lbs force.



Job Complete !

In the interest of our environment please dispose of all packaging thoughtfully.