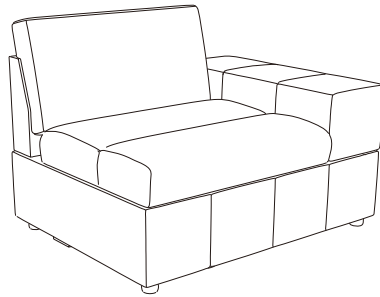
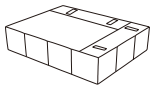


ASSEMBLY INSTRUCTION

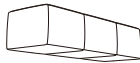


PARTS LIST



A

x1



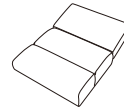
B

x1



C

x1



D

x1

HARDWARE LIST



1

x4

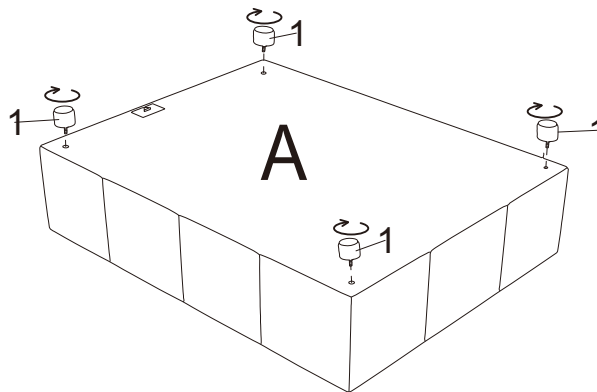


2

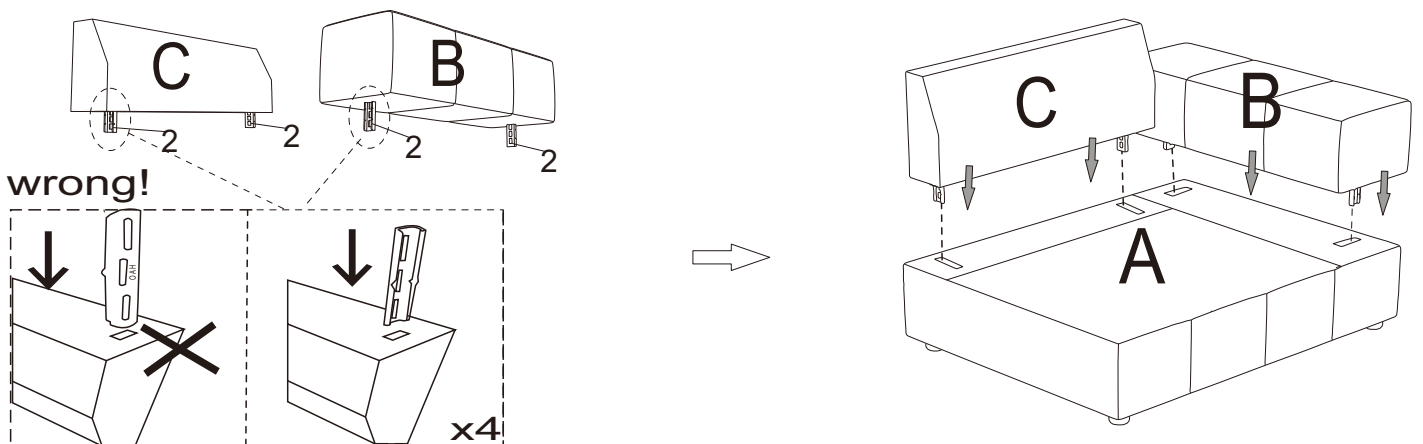
x4

SOFA ASSEMBLY INSTRUCTION

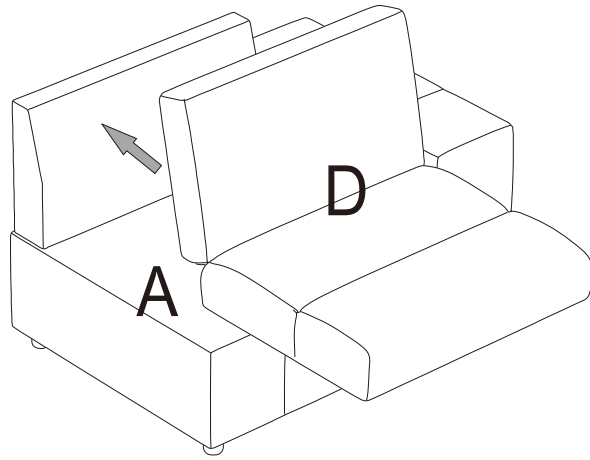
Step1



Step2



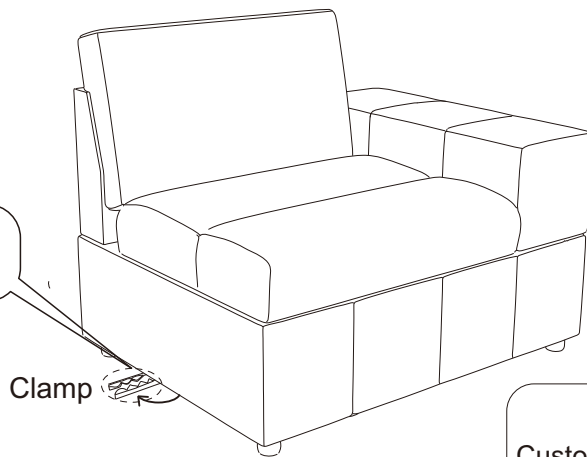
Step3



Step4

1. Located on the bottom of each piece are wedges and clamps.

Rotate the clamps 180° so the teeth are facing outward.



2. Slide the pieces together until the wedge engages the teeth clamp and the two pieces are snug.

Custom Modulus Sectional
Connect different pieces into
the desired configuration

