

Wood Desk

Assembly Instructions



Save these instructions.



A buddy is helpful for assembly.



40 minutes



Phillips Screwdriver needed. Not Included.

Thank You for your Purchase

- This user manual contains important and useful information to accompany your purchase. This product is intended for indoor, household use only. Failure to follow the instructions outlined may result in personal injury or damage to the product which the manufacturer or vendor cannot be held responsible.
- Please ensure you keep the instruction manual in a safe place so you can refer to the instructions at any time in the future. Adult assembly required. During assembly, children should always be kept away due to possible risk of injury. Please use caution and care when lifting the product to avoid personal injury and/or damage. Please ensure that you have enough space and people to assemble your product safely. Do not stand on the product or use as a stepladder.
- For ease and speed of assembly, we recommend that you identify all parts required for that step before begin. All items are to be assembled near the area which they will be placed in use to avoid moving the product unnecessary once assembled.
- For the protection of your furniture, we recommend that the product be assembled on a protected surface to prevent any damage. During assembly please take care not to over-tighten any fittings, as this may damage the product. Always place the product on a flat and stable surface.

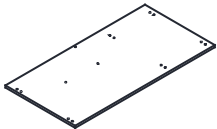

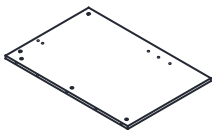
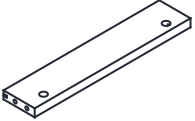
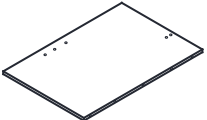
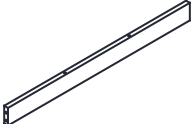
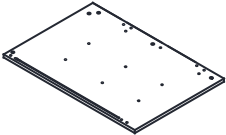
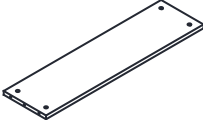
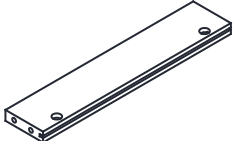
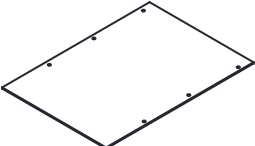
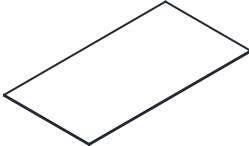
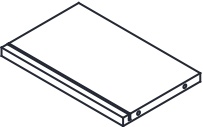
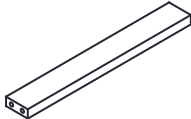
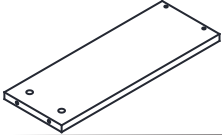
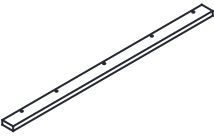
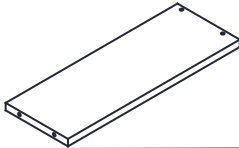
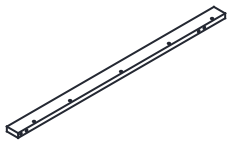
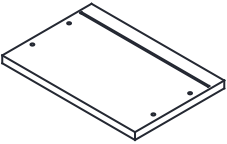
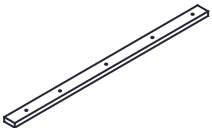
Safety Precautions















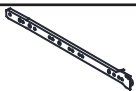

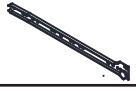


- **READ ALL INSTRUCTIONS BEFORE ASSEMBLING PRODUCT FOR INDOOR, RESIDENTIAL USE ONLY ADULT ASSEMBLY REQUIRED**
- **DO NOT** throw away packaging material before you finish assembling to ensure that parts are not thrown out by mistake
- **DO NOT** use accessories or attachments that are not provided or recommended by manufacturer.
- **NEVER** force any parts or hardware into place when assembling.
- **KEEP CHILDREN** well away from plastic bags and packing materials this item was shipped in.
- **SAVE** these instructions for future reference.
- **DO** anchor product on the wall with at least 1 anchor in contact with stud
- **DO** not place items, such as toys and remote controls on top of dressers, TVs and other large furniture. Also, make sure that all cords are out of the reach of children. Visit <https://www.anchorit.gov/> for more information.

Parts

Removing your Wood Desk from the carton is best accomplished with help from a friend. Gently lay the carton on its side, preferably on a carpeted floor. Remove all packaging material and set aside. Make sure all parts and hardware are present before assembly . 2 person assembly is recommended.

PART	NAME	Q'TY	PART IMAGE	PART	NAME	Q'TY	PART IMAGE
1	Desk Top	1		11	Drawer support	2	
2	Left panel	1		12	Desk back lower support	1	
3	Middle panel	1		13	Top cross edge	1	
4	Right panel	1		14	Back cross panel	1	
5	Desk Back Upper support	1		15	Drawer bottom	3	
6	Desk back panel	1		16	Back drawer panel	3	
7	Desk upper & lower edge	2		17	Right drawer side	3	
8	Desk rightedge	1		18	Left drawer side	3	
9	Desk left edge	1		19	Front drawer panel	3	
10	Left panel edge	1					

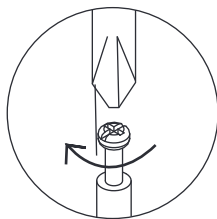
Hardware

PACKAGE	NAME	Q'TY	IMAGE	PACKAGE	NAME	Q'TY	IMAGE
A	Cam bolt	43		DR	Right drawer slide	3	
B	Cam lock	43		DL	Left drawer slide	3	
C	Screws M4X30mm	12		K	Back Fastener	6	
D	Wood dowel	32		L	Knob	3	
E	Screws M4x12mm	1		M	Screws M4X35mm	1	
F	Screws M3.5x12mm	42		N	Screws M3x14mm	6	
CL	Left Desk slide	3		O	Adjustable Anchor Bracket	1	
CR	Right Desk Slide	3		p	Wall Anchor	1	
				Q	Screw hole cover	43	

We have included extra piece of Part type of screws

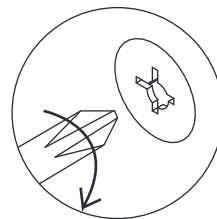
Safety Precautions

Step 1



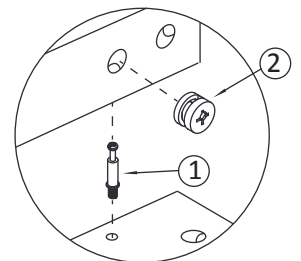
Gently screw Cam Bolt into the threaded anchor at the specified location. Tighten with a Phillips screwdriver until threads are not visible

Step 2



Gently insert Cam Lock in the pre-drill holes at the specified location with arrow pointing toward the receiving hole or toward the closest edge. Use a Phillips screwdriver to turn as needed. Make sure Cam Lock is flushed with the board

Step 3



Insert Cam Bolt into the predrilled hole on the side of the Cam Lock board. Turn Cam Lock to engage the locking system

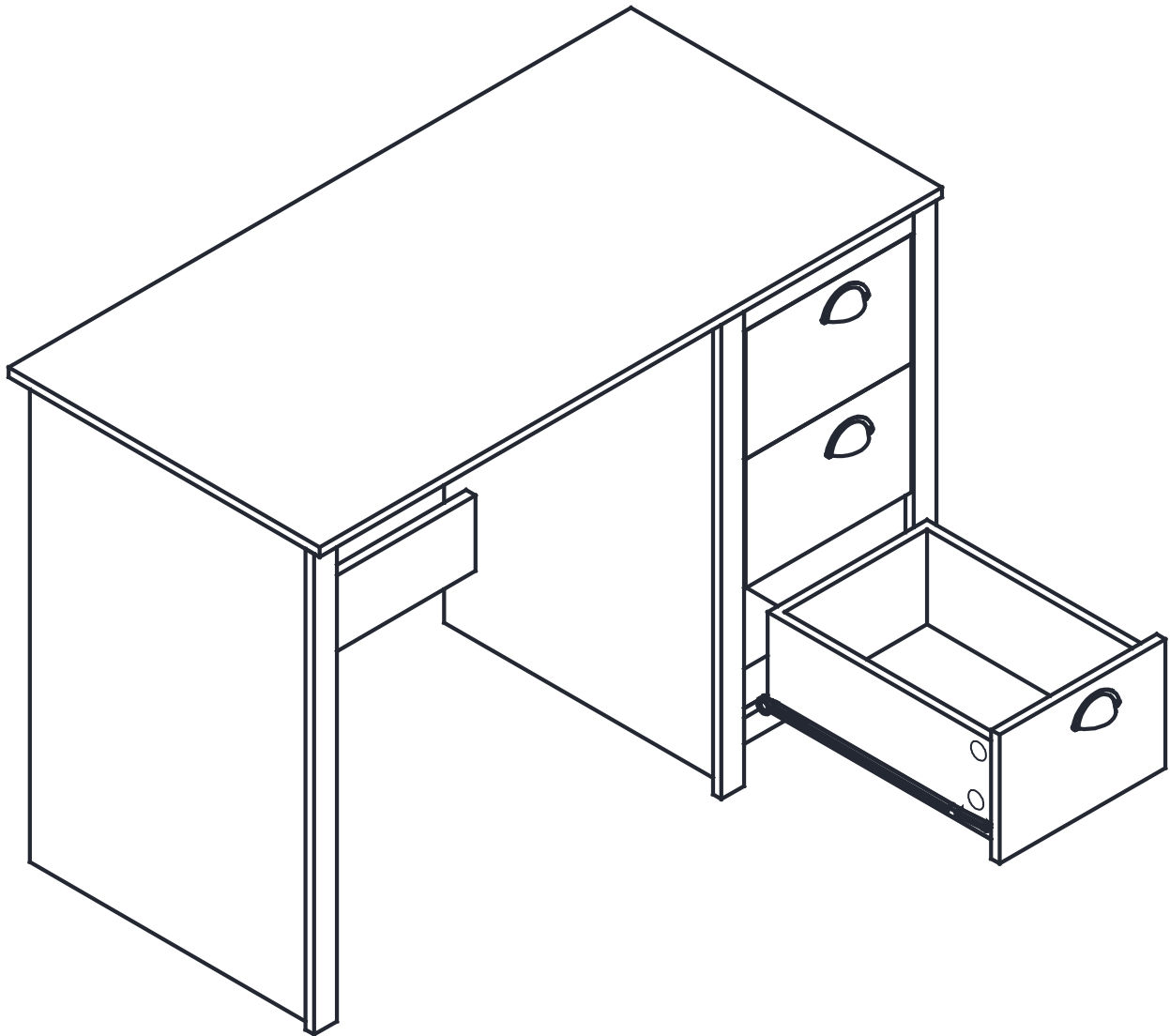


Risk of damage or injury. Cam Lock and Bolt system is a multi steps process. Please follow these directions closely. Hidden Cams must be completely tightened. Hidden Cams that are not completely tightened may loosen and parts may separate.

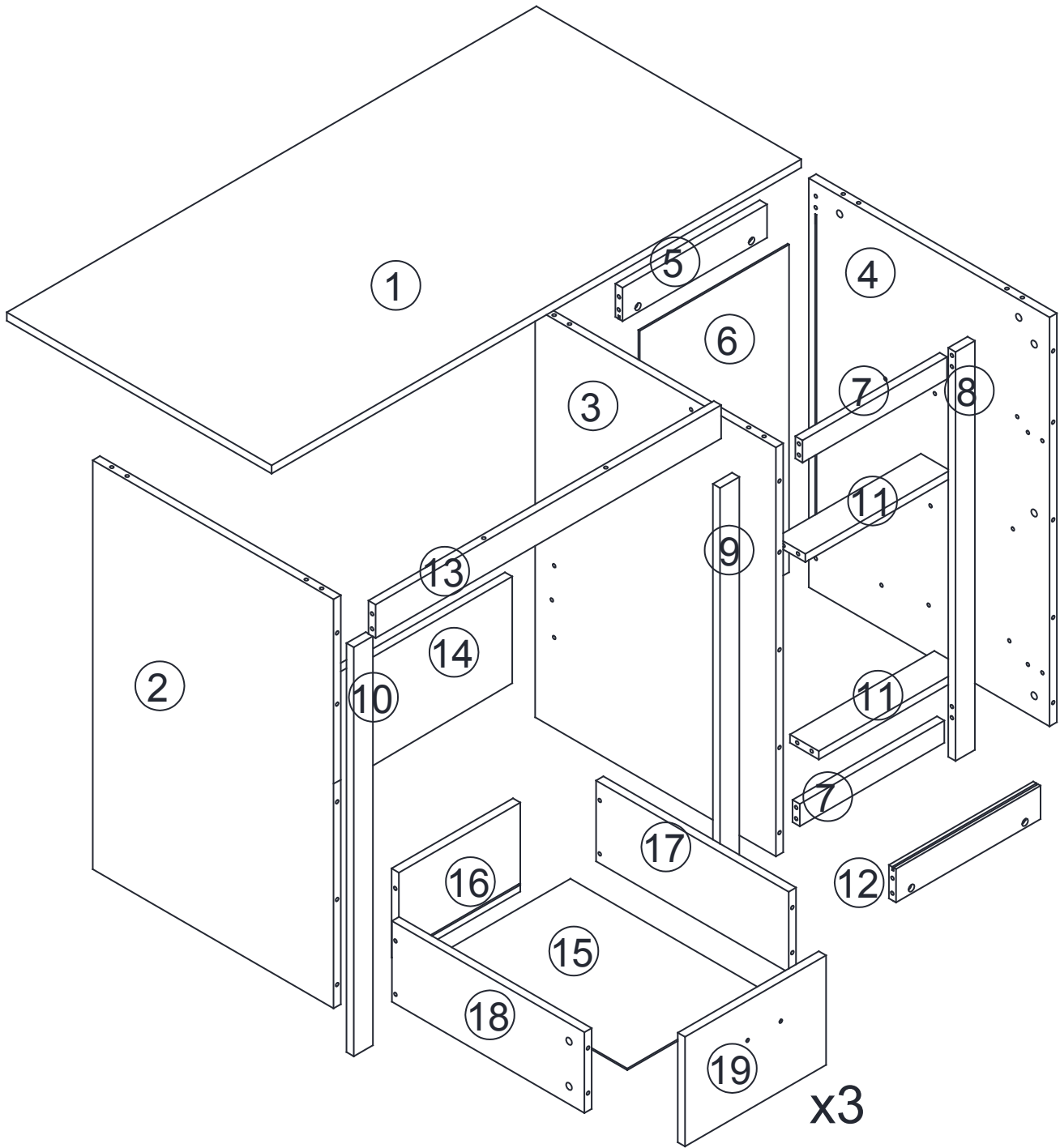
Specifications

Maximum load capacity as follows:

PART	NAME	Maximum Weight Capacity
1	Desk TOP	100 lbs
15	Drawer bottom	11 lbs



Parts



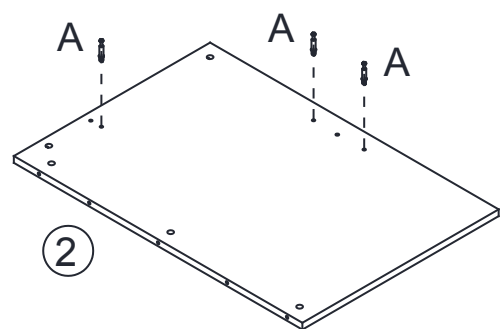
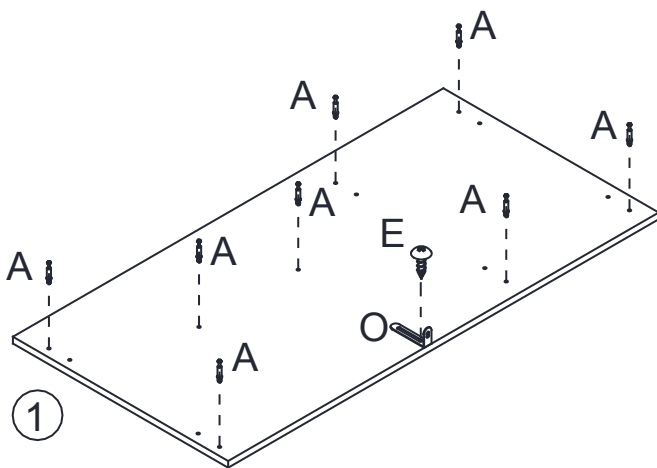
Assembly Instructions

ASSEMBLY TIPS:



1. Remove hardware from box and make sure all your parts are there, prior to assembly.
2. To avoid damage to parts and components, layout and assembly should be done on a flat surface.
3. Please check and distinguish each part before assembly.
4. This product is intended for home use only and not intended for commercial establishments.
5. **DO NOT** attempt to repair or modify parts that are broken or defective.

Step 1 Build Adjustable Anchor Bracket.

- Lay the Desk Top ①, Left panel ② flat on the floor. Note the hole locations following the below diagram.
- Tighten 11x Cam Bolts (A) to Desk Top ①, Left panel ② at the specified locations using a Phillips screwdriver.
- Fasten Adjustable Anchor Bracket (O) to Desk Top ① with 1x Screws (E) and tighten with a Phillips screwdriver.



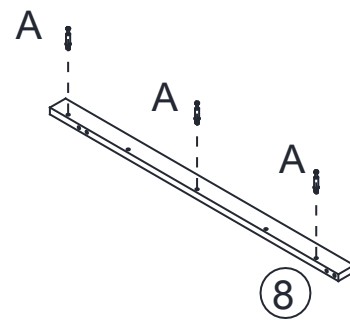
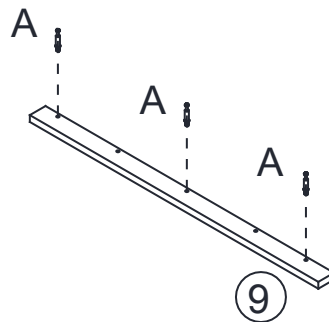
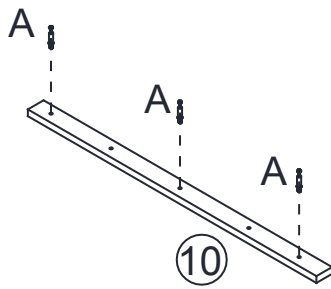
Phillips Screwdriver
needed. Not Included.

A	x11	E	x1	O	x1
					

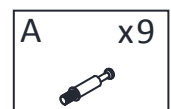
Step 2

Build Cam Bolts

- Lay the Desk right edge ⑧, Desk left edge ⑨, Left panel edge ⑩ flat on the floor. Note the hole locations following the below diagram.
- Tighten 9x Cam Bolts (A) to Desk right edge ⑧, Desk left edge ⑨, Left panel edge ⑩ at the specified locations using a Phillips screwdriver.



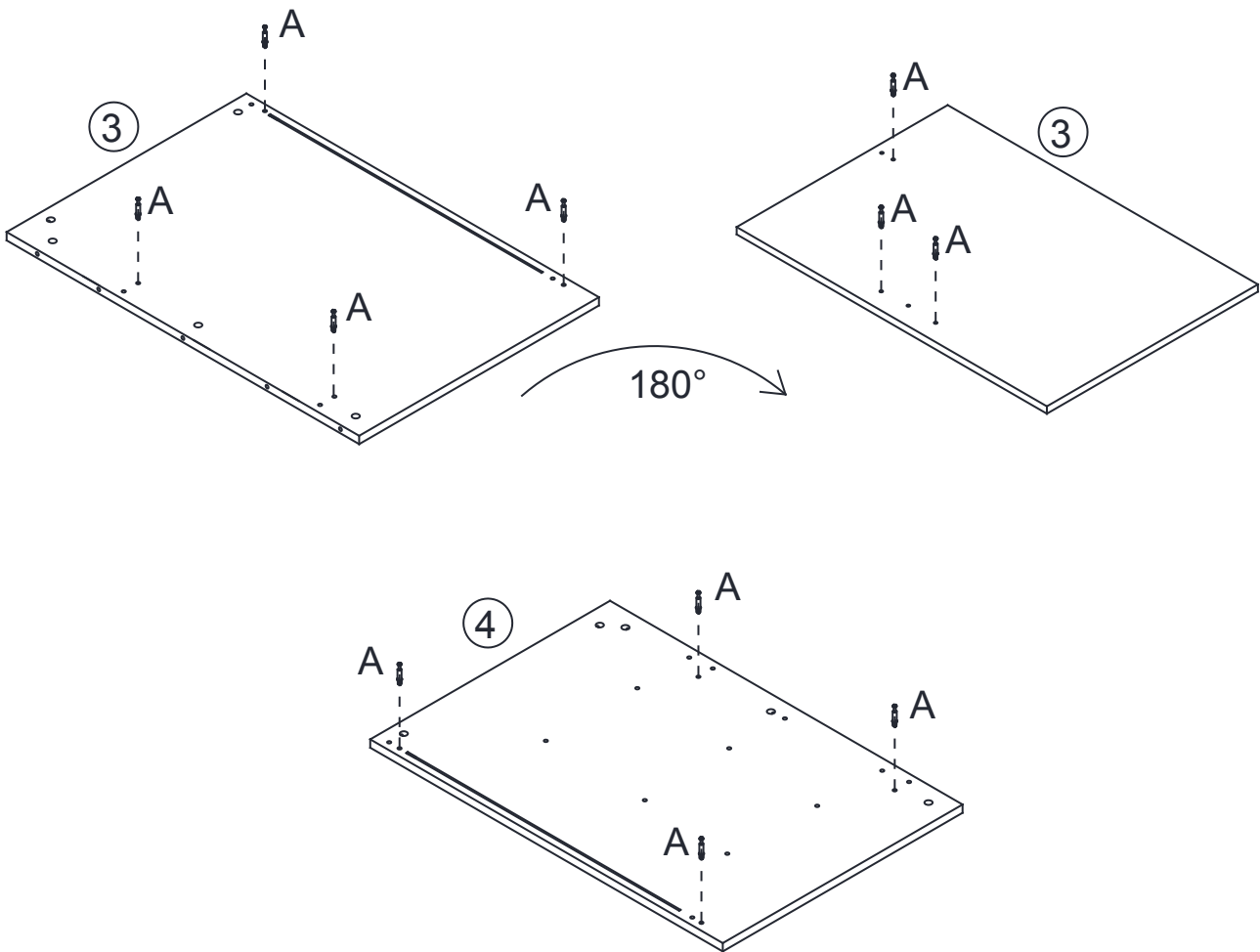
Phillips Screwdriver
needed. Not Included.



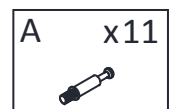
Step 3

Build Cam Bolts

- Tighten 8x Cam Bolts (A) to Middle panel ③, Right panel ④ at the specified locations using a Phillips screwdriver.
- Turn the Middle panel ③ over, tighten another 3x Cam Bolts (A) to Middle panel ③ at the specified locations using a Phillips screwdriver.



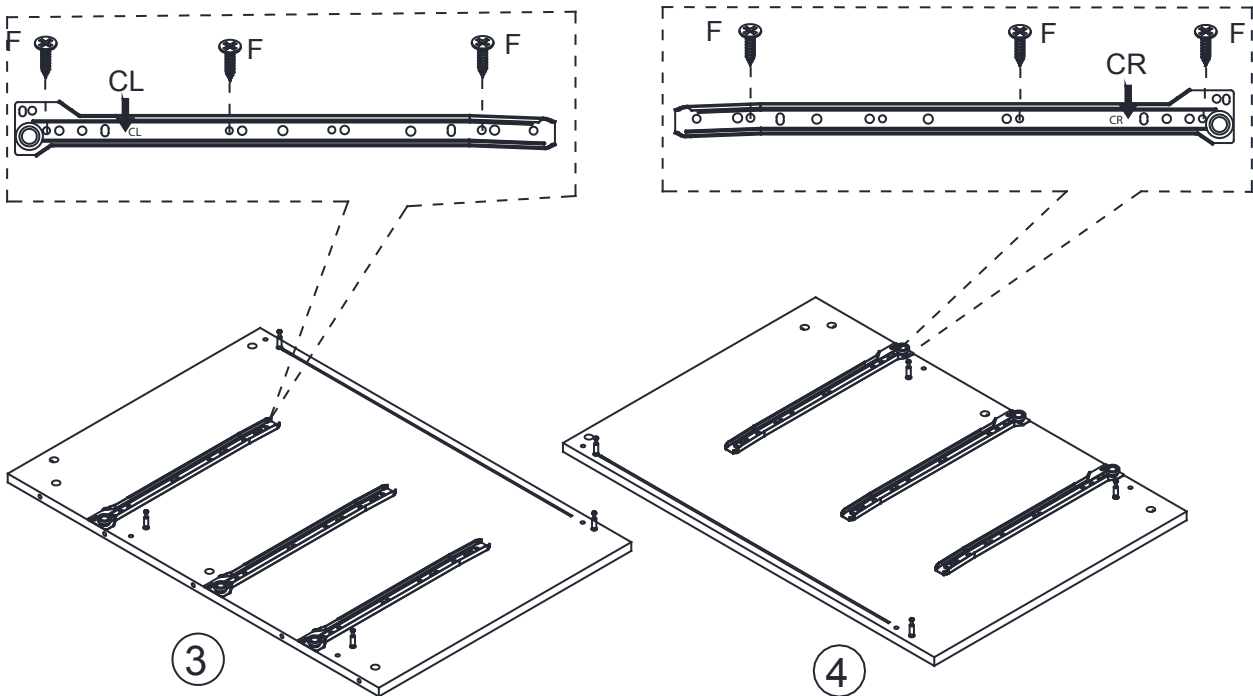
Phillips Screwdriver
needed. Not Included.




Step 4

Build Desk Slide

- Identify Left Desk slide (CL) and Right Desk slide (CR) following below diagram.
- Fasten 3X Left Desk slide (CL) to Middle panel ③ with 9X Screws (F) and tighten with a Phillips screwdriver.
- Fasten 3X Right Desk slide (CR) to Right panel ④ with 9X Screws (F) and tighten with a Phillips screwdriver.



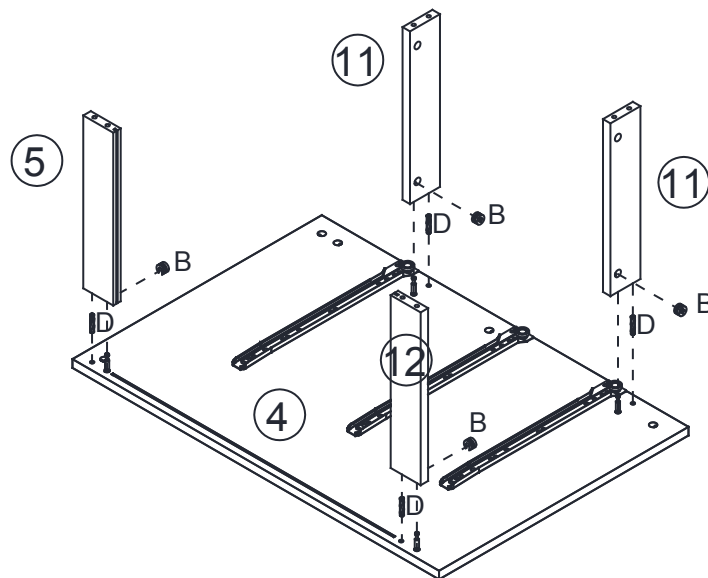
 Phillips Screwdriver
needed. Not Included.


F	x18	CL	x3	CR	x3
					


Step 5



Build Drawer Support

- Insert 4x Wood Dowels (D) to Right panel ④ at the specified locations.
- Insert 4x Cam Locks (B) to Desk back upper support ⑤, 2x Drawer support ⑪, Cabinet back lower support ⑫ at the specified locations.
- Carefully align wooden dowels(D) to pre-drilled holes, Cam Bolts (A) to Cam Lock (B).
- Connect Desk back upper support ⑤, 2x Drawer support ⑪, Desk back lower support ⑫ to Right panel ④ by turning all 4x Cam Lock (B) to engage. Following Cam Lock safety precautions.



 Phillips Screwdriver needed. Not Included.

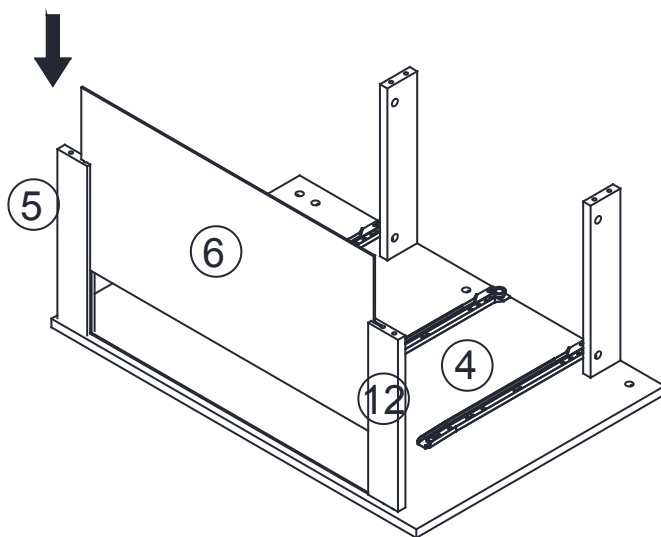
 Follow the Cam Lock safety precautions

B	x4	D	x4
			

Step 6

Build Desk Back Panel

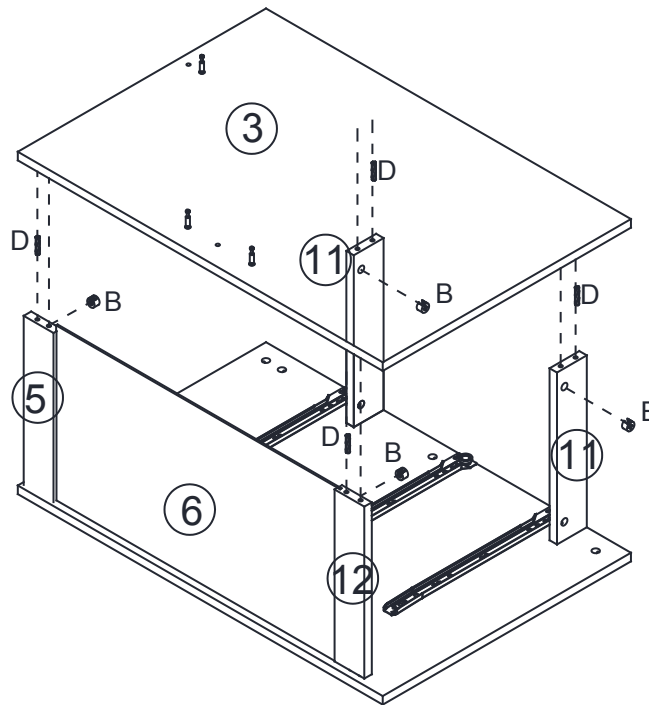
- Insert Desk back panel ⑥ to grooves at Desk back upper support ⑤ and Desk back lower support ⑫.



Step 7

Build Middle Panel



- Insert 4x Wood Dowels (D) to Desk back upper support (5), 2x Drawer support (11), Desk back lower support (12) at the specified locations.
- Insert 4x Cam Locks (B) to Desk back upper support (5), 2x Drawer support (11), Desk back lower support (12) at the specified locations.
- Carefully align wooden dowels(D) to pre-drilled holes, Cam Bolts (A) to Cam Lock (B).
- Connect Middle panel (3) to Desk back upper support (5), 2x Drawer support (11), Desk back lower support (12) by turning all 4x Cam Lock (B) to engage. Following Cam Lock safety precautions.



Phillips Screwdriver
needed. Not Included.



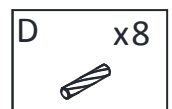
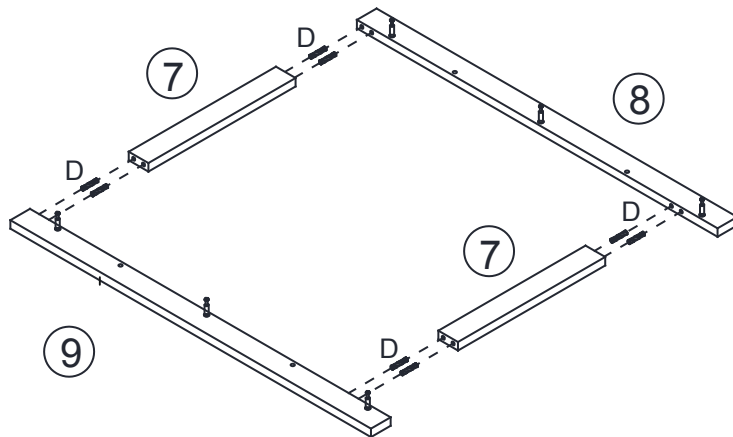
Follow the Cam Lock
safety precautions

B	x4	D	x4
			

Step 8

Build Desk Edge

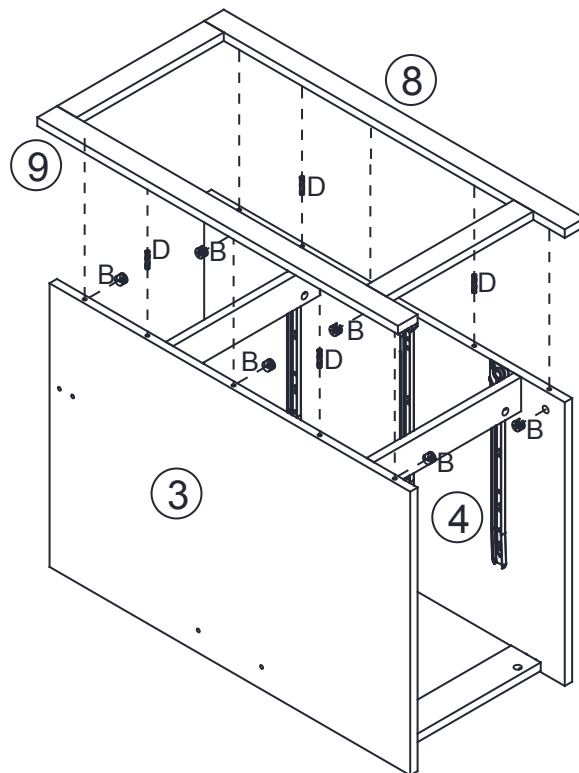
- Insert 8x Wood Dowels (D) to 2x Desk Upper & lower drawer support (7) at the specified locations.
- Carefully align Wooden dowels on 2x Upper & lower drawer support (7) to pre-drilled holes on Desk Right edge (8), Desk left edge (9) and connect.



Step 9

Build Desk Edge

- Insert 4x Wood Dowels (D) to Middle panel (3), Right panel (4) at the specified locations.
- Insert 6x Cam Locks (B) to Middle panel (3), Right panel (4) at the specified locations.
- Carefully align the wood dowels (D) to pre-drilled holes, Cam bolts (A) to Cam locks (B) .
- Attach assembled Desk edge to Middle panel (3), Right panel (4) by turning all 6x Cam Lock (B) to engage. Following Cam Lock safety precautions.



Phillips Screwdriver
needed. Not Included.



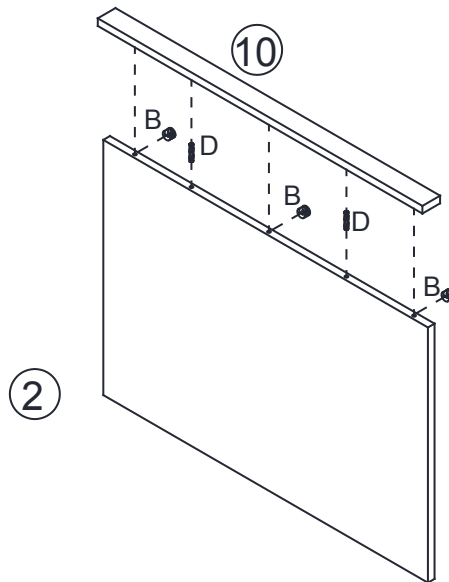
Follow the Cam Lock
safety precautions

B	x6	D	x4

Step 10

Build Exterior Left Panel



- Insert 2x Wood Dowels (D) to Left panel ② at the specified locations.
- Insert 3x Cam Locks (B) to Left panel ② at the specified locations.
- Connect Left panel edge ⑩ To Left panel ② by turning all 3x Cam Lock (B) to engage. Following Cam Lock safety precautions.



Phillips Screwdriver
needed. Not Included.



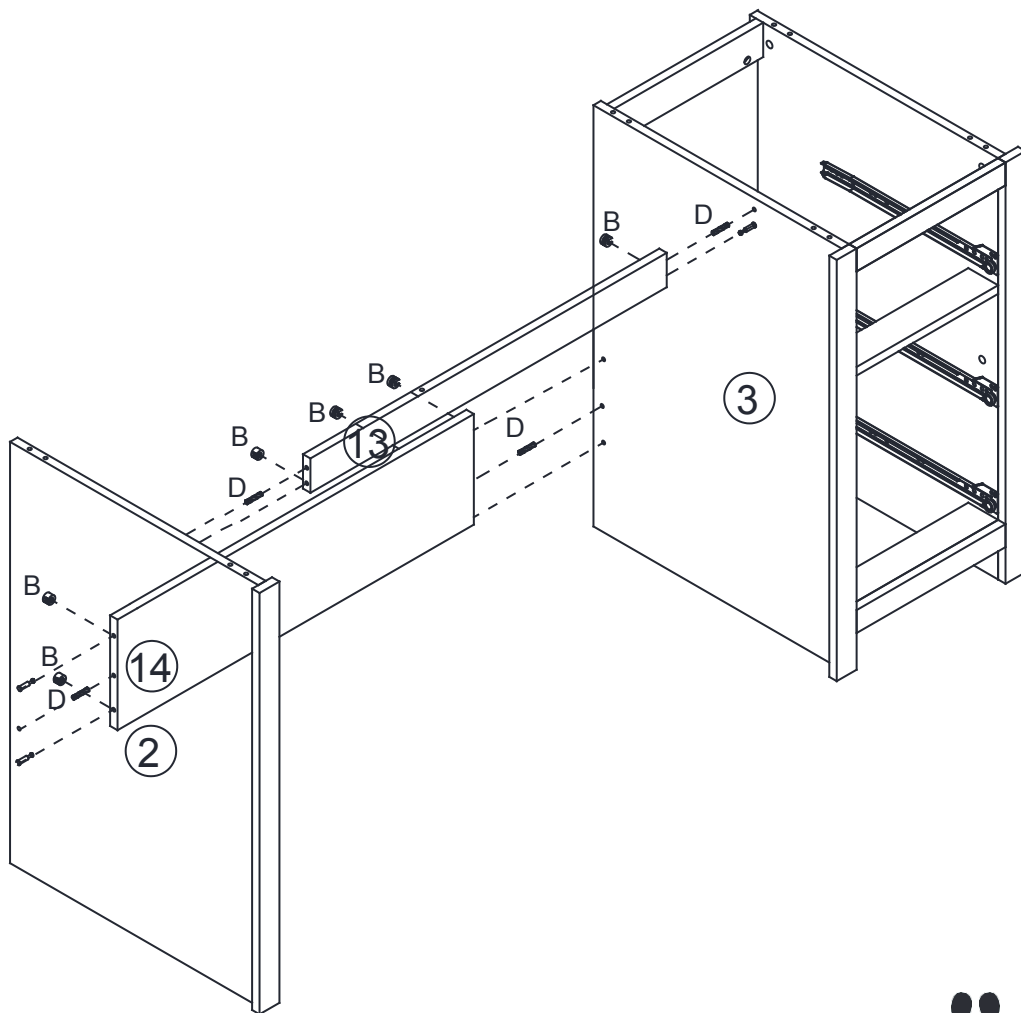
Follow the Cam Lock
safety precautions

B	x3	D	x2
			

Step 11

Build Exterior Panel

- Carefully turn your assembled cabinet upright.
- Insert 4x Wood Dowels (D) to Top cross bar and Back cross panel at the specified locations.
- Insert 6x Cam Locks (B) to Top cross bar (13), Back cross panel (14) at the specified locations.
- Carefully align wooden dowels(D) to pre-drilled holes, Cam Bolts (A) to Cam Lock (B).
- Connect Top Cross bar (13), Back cross panel (14) to Left panel (2), Middle panel (3) by turning all 6x Cam Lock (B) to engage. Following Cam Lock safety precautions.



A buddy is helpful for assembly.



Phillips Screwdriver needed. Not Included.



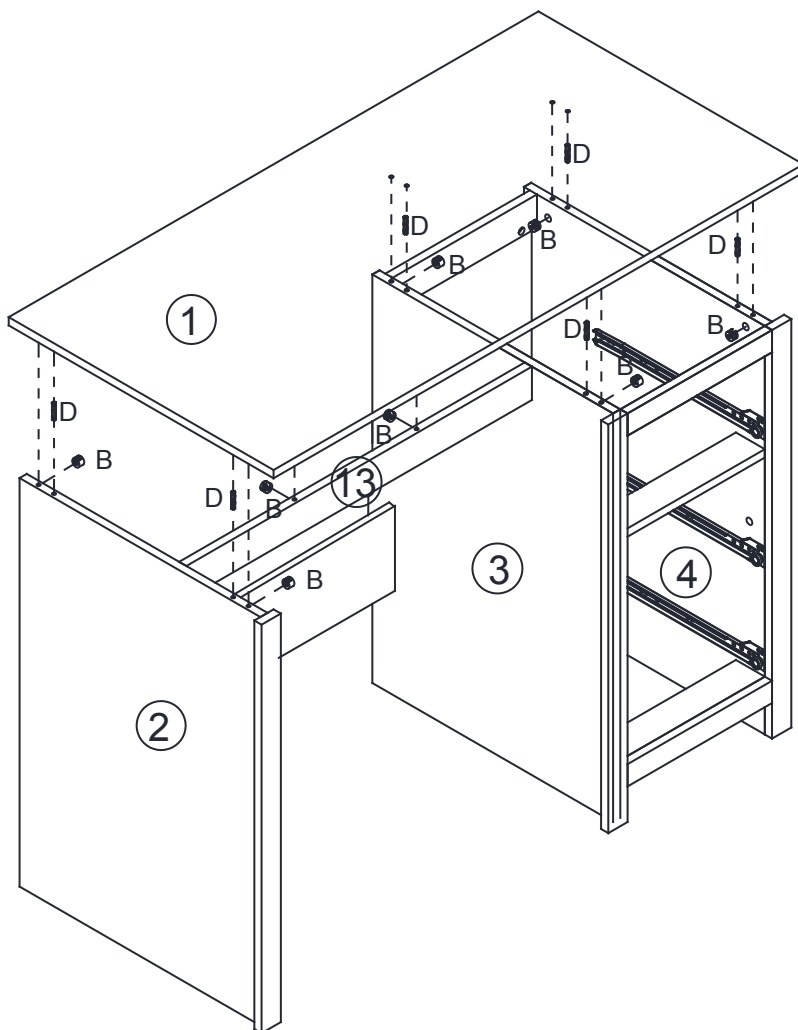
Follow the Cam Lock safety precautions

B	x6	D	x4

Step 12

Connect Top Shelf

- Insert 6x Wood Dowels (D) to Left panel (2), Middle panel (3), Right panel (4) at the specified locations.
- Insert 8x Cam Locks (B) to Left panel (2), Middle panel (3), Right panel (4), Top cross bar (13) at the specified locations.
- Connect Desk Top (1) to Left panel (2), Middle panel (3), Right panel (4) by turning all 8x Cam Lock (B) to engage. Following Cam Lock safety precautions.





A buddy is helpful for assembly.



Phillips Screwdriver needed. Not Included.



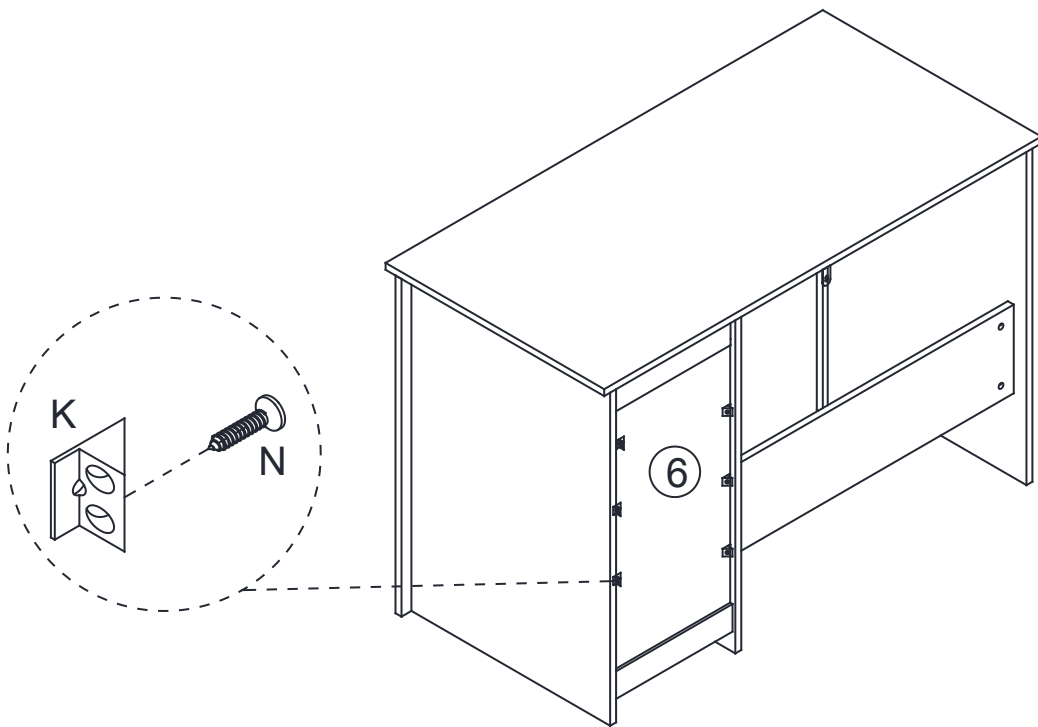
Follow the Cam Lock safety precautions

B	x8	D	x6
			



Step 13

Build Back Fastener

- Fasten 6x Back Fastener (K) to Back of Desk with 6x Screws (N) and tighten with a Phillips screwdriver.



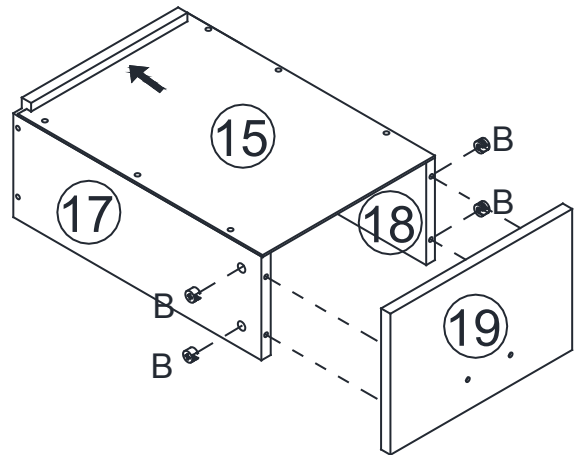
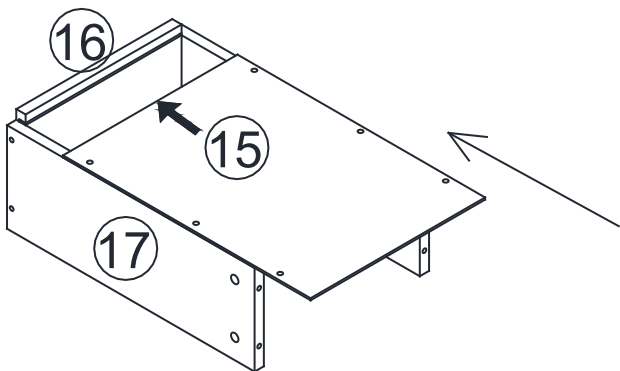
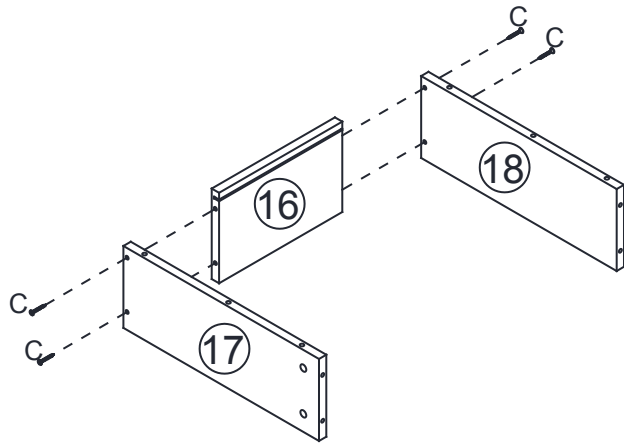
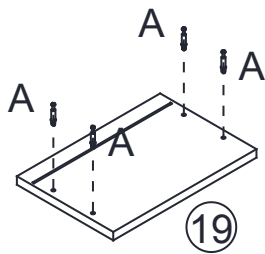
Phillips Screwdriver
needed. Not Included.

K	x6	N	x6
			

Step 14

Build Drawers

- Tighten 4x Cam Bolts (A) to Front drawer panel (19) at the specified locations using a Phillips screwdriver.
- Fasten Back drawer panel (16) to Right drawer side (17), Left drawer side (18) with 4x Screws (C) and tighten with a Phillips screwdriver.
- Insert Drawer bottom (15) into grooves at Back drawer panel (16).
- Insert 4x Cam Locks (B) to Right drawer side (17), Left drawer side (18) at the specified locations.
- Connect Front drawer panel (19) to Right drawer side (17), Left drawer side (18) by turning all 4x Cam Lock (B) to engage. Following Cam Lock safety precautions.
- Repeat the above steps to assemble the another two drawers.






x3



Phillips Screwdriver needed. Not Included.



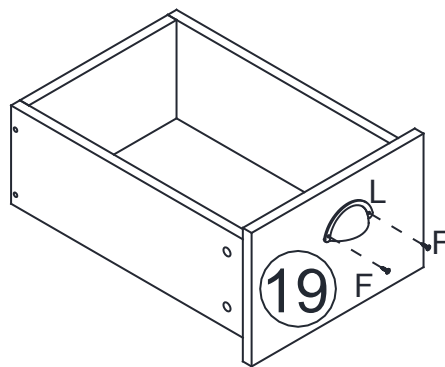
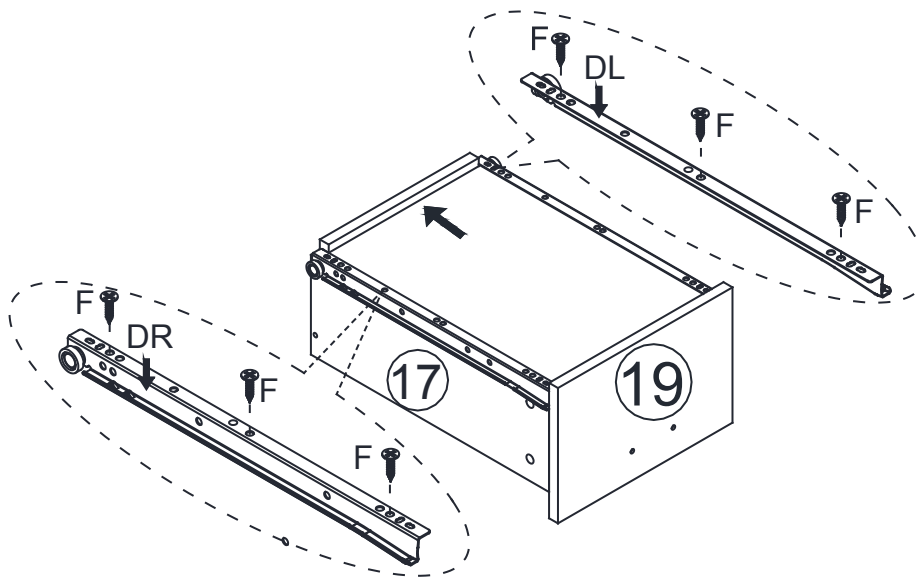
Follow the Cam Lock safety precautions

B	x12	A	x12	C	x12
					

Step 15

Build Drawer Slide





- Identify Right drawer slide(DR) and Left drawer slide (DL) following below diagram.
- Fasten Right drawer slide(DR) and Left drawer slide (DL) to bottom of drawer with 6x Screws (J) and tighten with a Phillips screwdriver.
- Fasten 1X Knob (L) to Drawer with 2x Screws (F) and tighten with a Phillips screwdriver.
- Repeat above steps to assemble drawer slide and knob for another 2 drawers.



x3



Phillips Screwdriver
needed. Not Included.

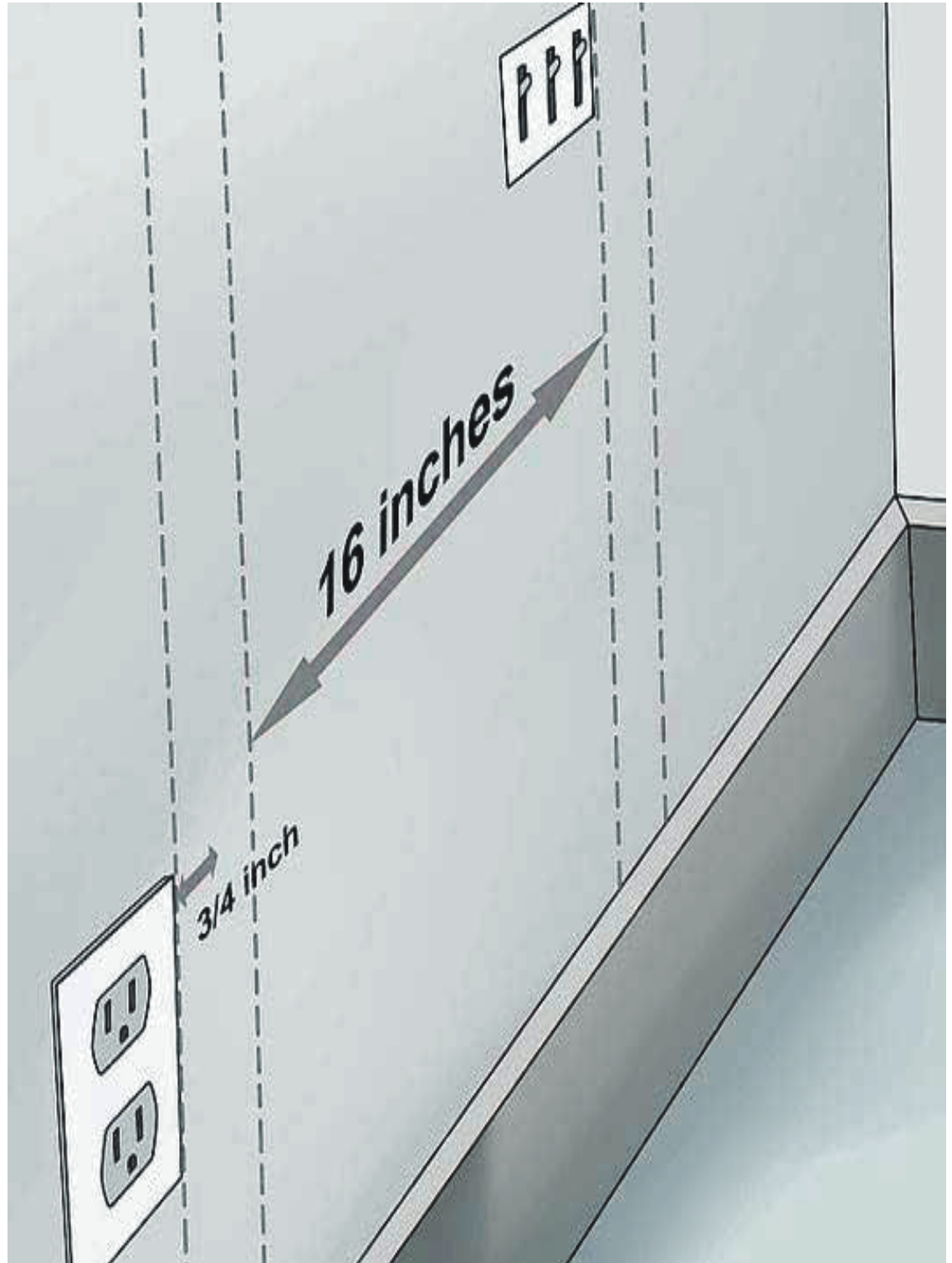
F	x24	L	x3	DL	x3	DR	x3
							



Anchor Instructions

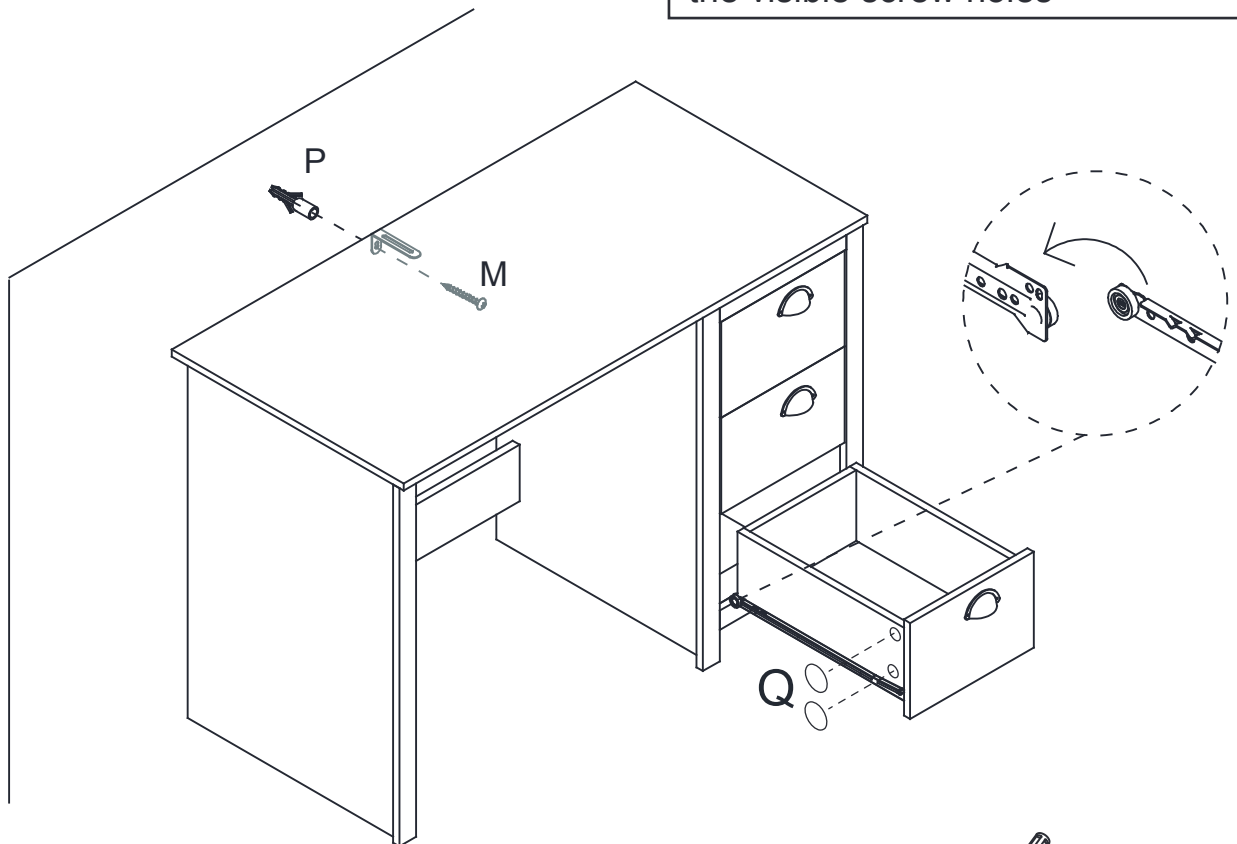
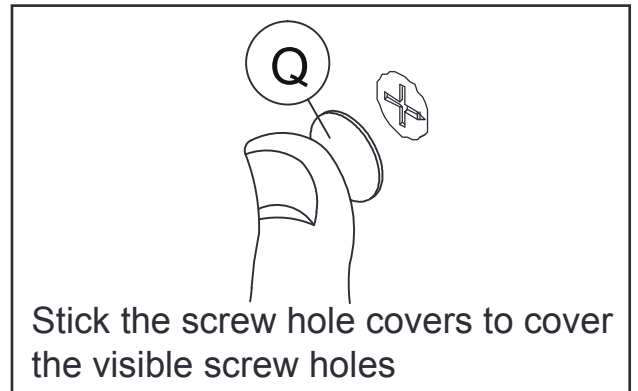
- Locate solid wood studs to mount the anchor to. It is important that the screws are firmly embedded into the wood stud. In cases of thick drywall or wall plaster, you may have to purchase longer screws.

Screwing only into the drywall is not enough and could result in personal or property injury, damage or harm



Step 16 Assemble Adjustable Bracket and Drawers and Stick Screw Holes Cover

- Position desk against wall in desired location. Using a pencil, make 1 small marks on wall . Move desk away from wall and plug in wall anchor (P) into wall on pencil marks.
- Place desk against wall, insert screws (M) through the adjustable anchor bracket hole then tighten to Wall Wall Anchor (P).
- Insert the drawer into your unit, lift the front of the drawer up and slide it into the unit
- Stick the screw hole covers (Q) to cover the visible screw holes.



Phillips Screwdriver
needed. Not Included.

Q	x43	M	x1	P	x1

Care & Maintenance

- Regularly check all fastenings to ensure that they are properly tightened.
- Clean with a damp soft cloth, then use a soft lint free cloth to dry.
- Hot or wet items should not be placed directly on the furniture surface.
- Do not clean furniture with harsh cleaners or polish.
- Do not place furniture in direct sunlight or near heating/cooling vents.
- To protect the surface, use a pad when writing on top of the furniture.
- For indoor residential use, do not place furniture outside.
- Do not stand on the product or use as a step ladder.
- Children should not climb on furniture.

If you have a question about assembly or use please contact us and we will be glad to assist you.