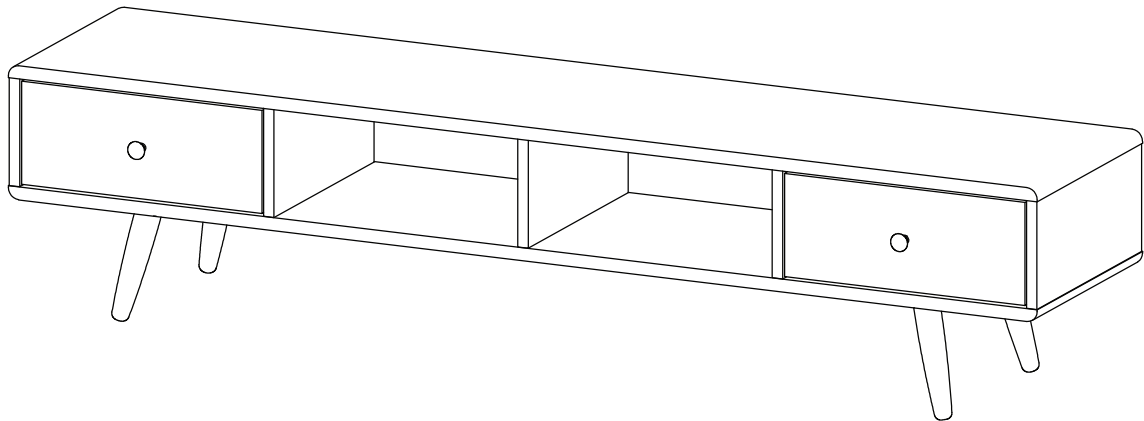


## TV STAND

Thank you for purchasing this **TV STAND** !

Before you start, here are some helpful advice:

1. We suggest you spend a short time reading through this leaflet and then follow the simple step by step instructions.
2. Owing to the size and weight of the TV Stand, we recommend that it is assembled by two adults, on a carpeted or padded area, in the room that it is intended for. Approximate assembly time: 60 minutes.
3. Please do not use any tools other than those provided or recommended in these instructions.
4. Please do not throw away any of the packaging or instructions until you have checked all the components and hardware and the furniture is fully assembled.
5. Assemble all components loosely until advised to tighten. Depending on use, it may be necessary to tighten the components from time to time, so please save the tools that have been provided.
6. Please keep all pieces out of reach of children.

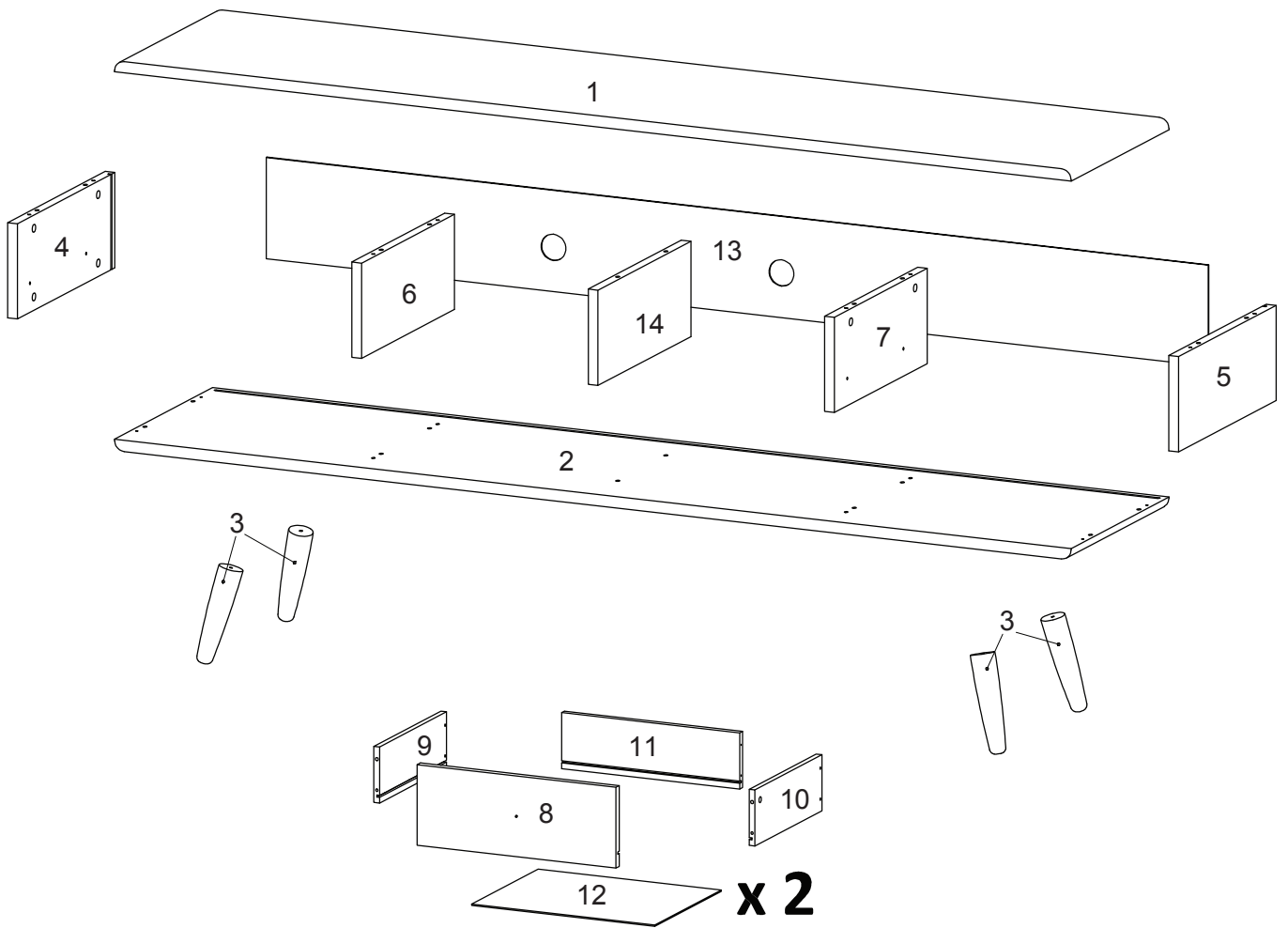


### Hardware :

A	x 16	B	x 12	C	x 4	D	x 4	E	x 4
F	x 20	G	x 1	H	x 2	I	x 8	J	x 12
K	x 8	L	x 4	M	x 16	N	x 2	O	x 2
P	x 1	Q	x 10	R	x 10	S	x 5	T	x 1

# TV STAND

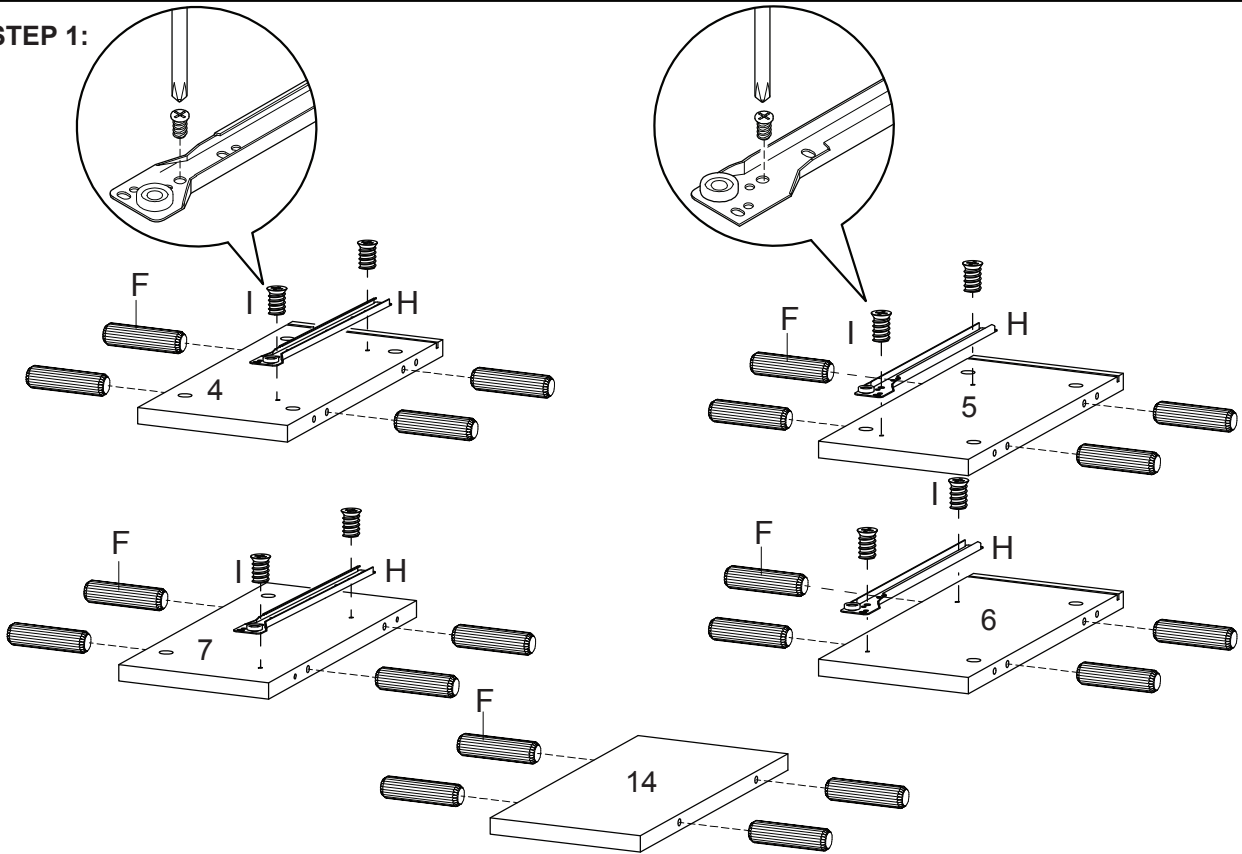
## Component:




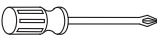


1	Top Board	x1	2	Bottom Board	x1	3	Leg	x4	4	Side Board Left	x1
5	Side Board Right	x1	6	Centre Board Left	x1	7	Centre Board Right	x2	8	Front Drawer	x2
9	Side Drawer Left	x2	10	Side Drawer Right	x2	11	Back Drawer	x2	12	Bottom Drawer	x2
13	Back Board	x1	14	Centre Board Middle	x1						

# TV STAND

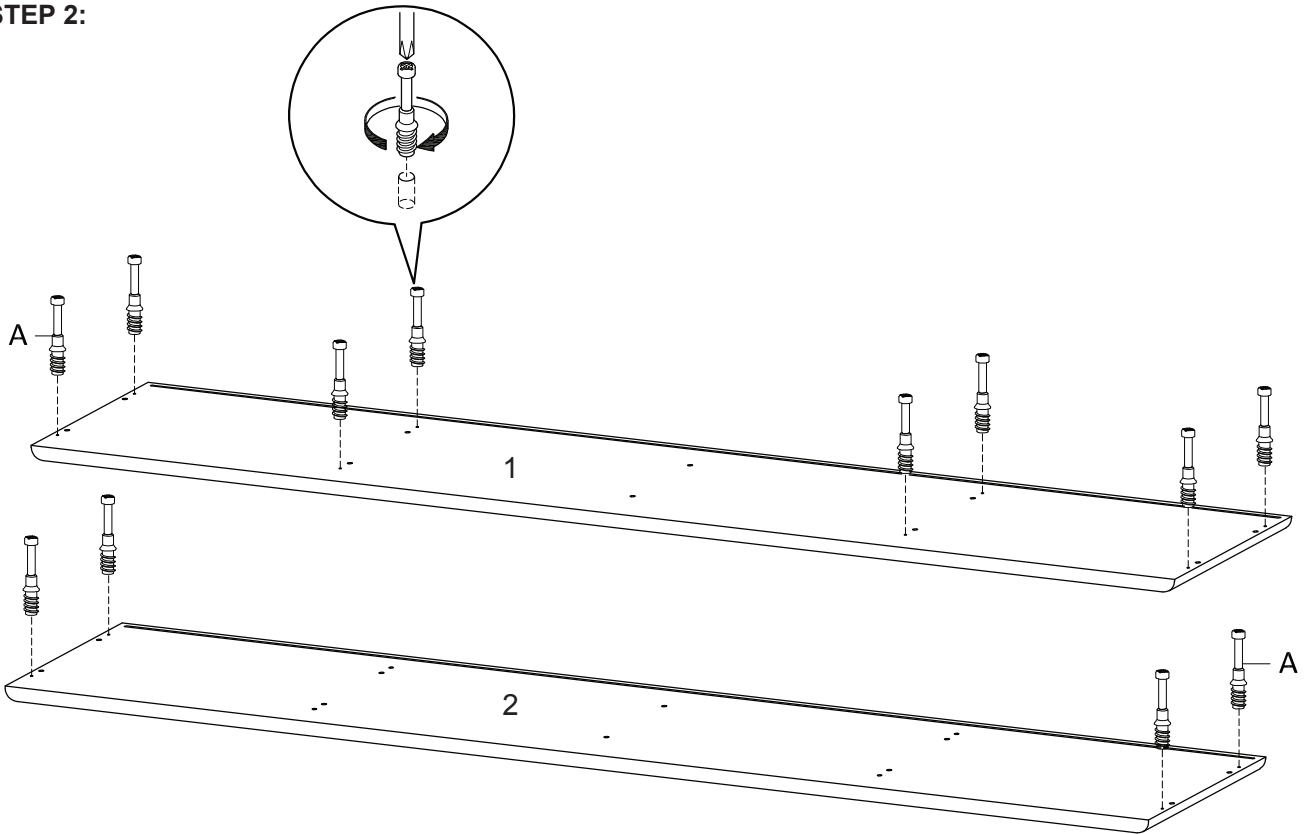
## STEP 1:

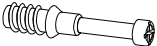
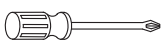


			
Fx20	Hx2	Ix8	Tx1

Hardware required.  
Screwdriver not included

## STEP 2:

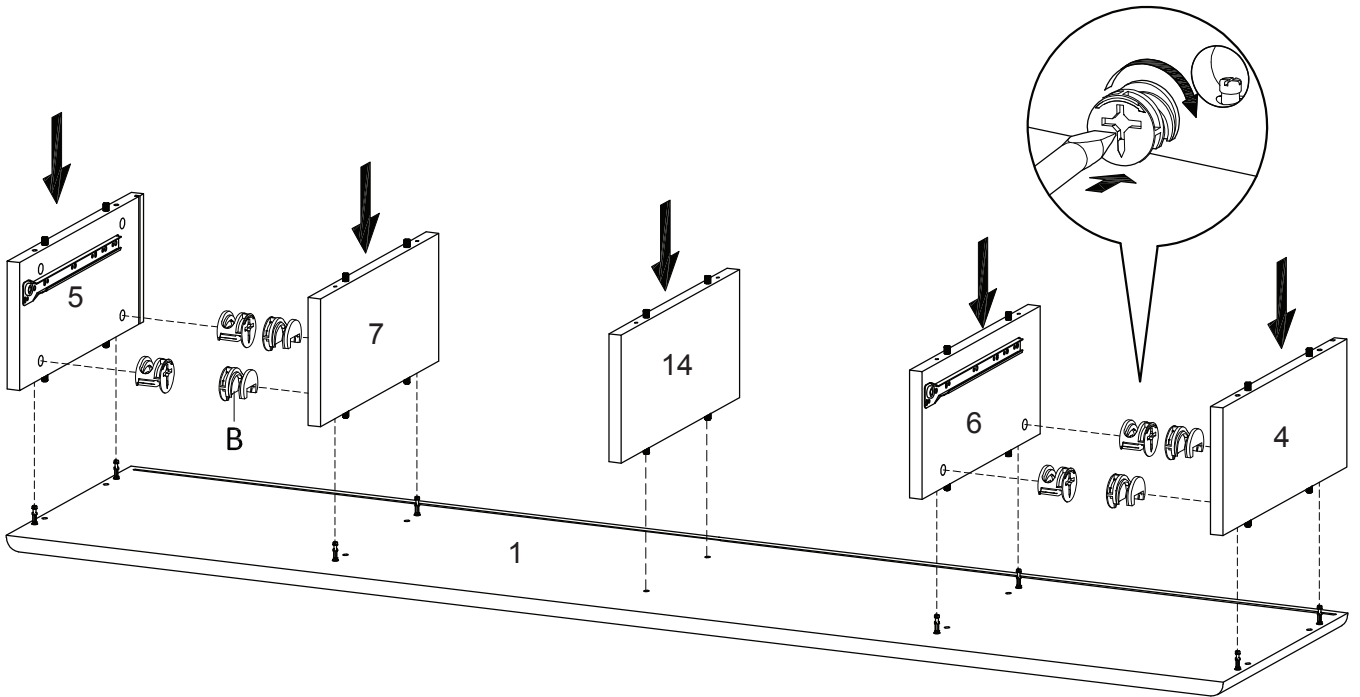




	
Ax12	Tx1

Hardware required. Screwdriver not included

# TV STAND

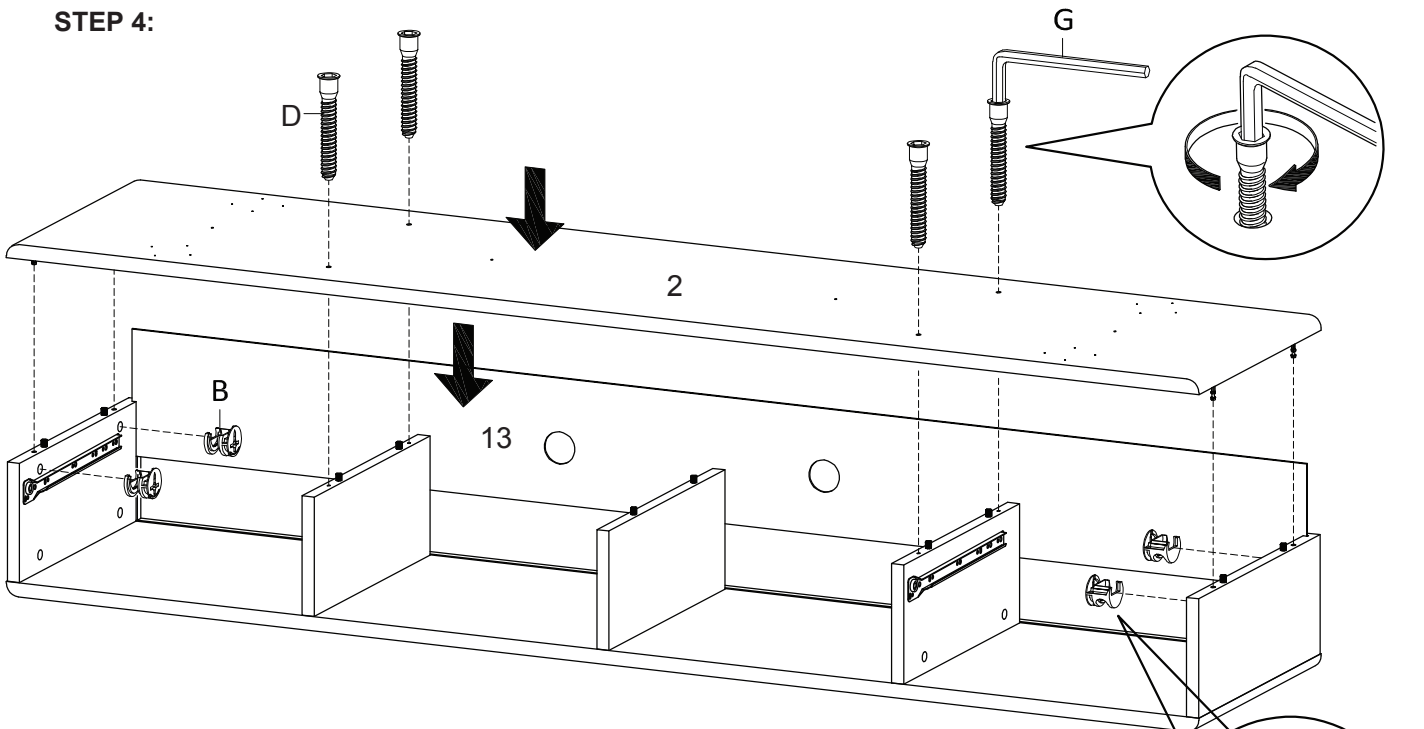
## STEP 3:




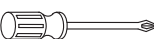


	
Bx8	Tx1

Hardware required. Screwdriver not included

## STEP 4:

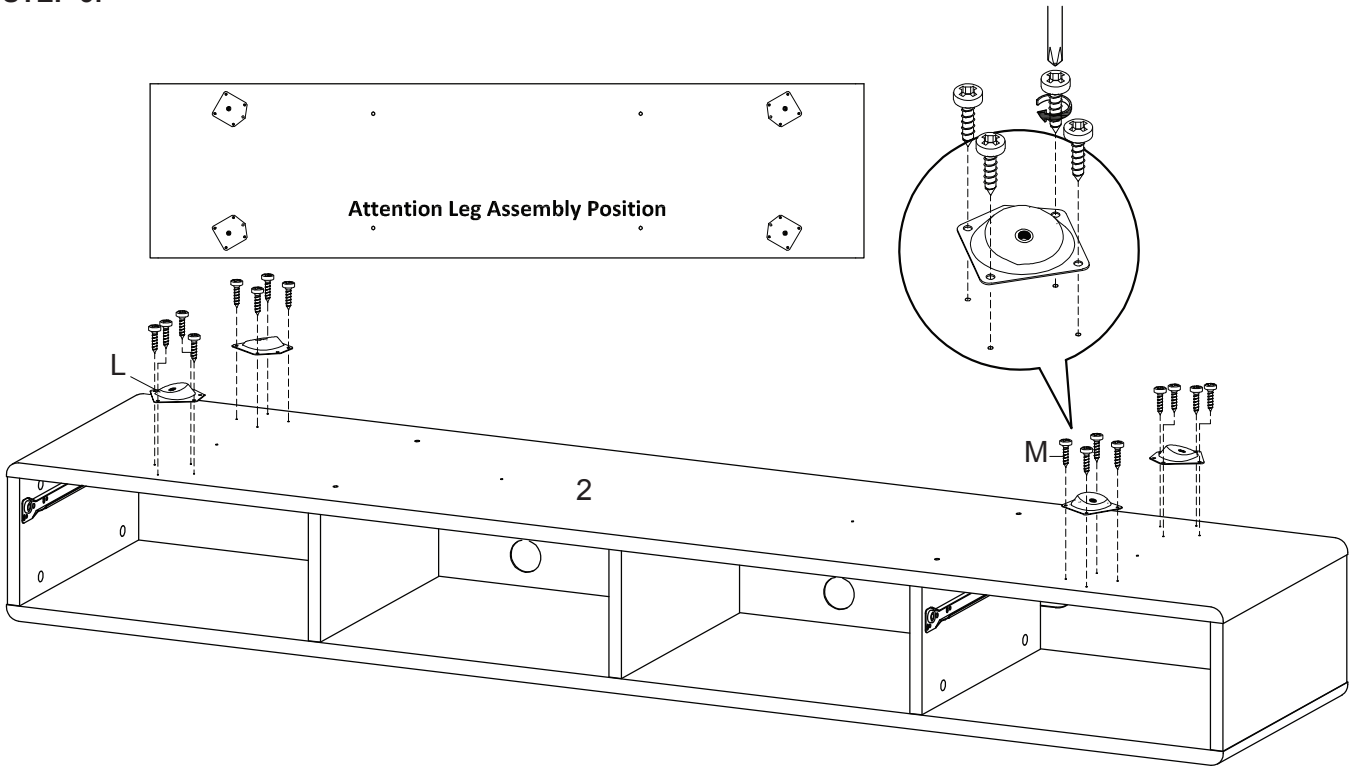



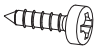
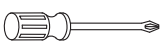
			
Bx4	Dx4	Gx1	Tx1

Hardware required.  
Screwdriver not included

# TV STAND

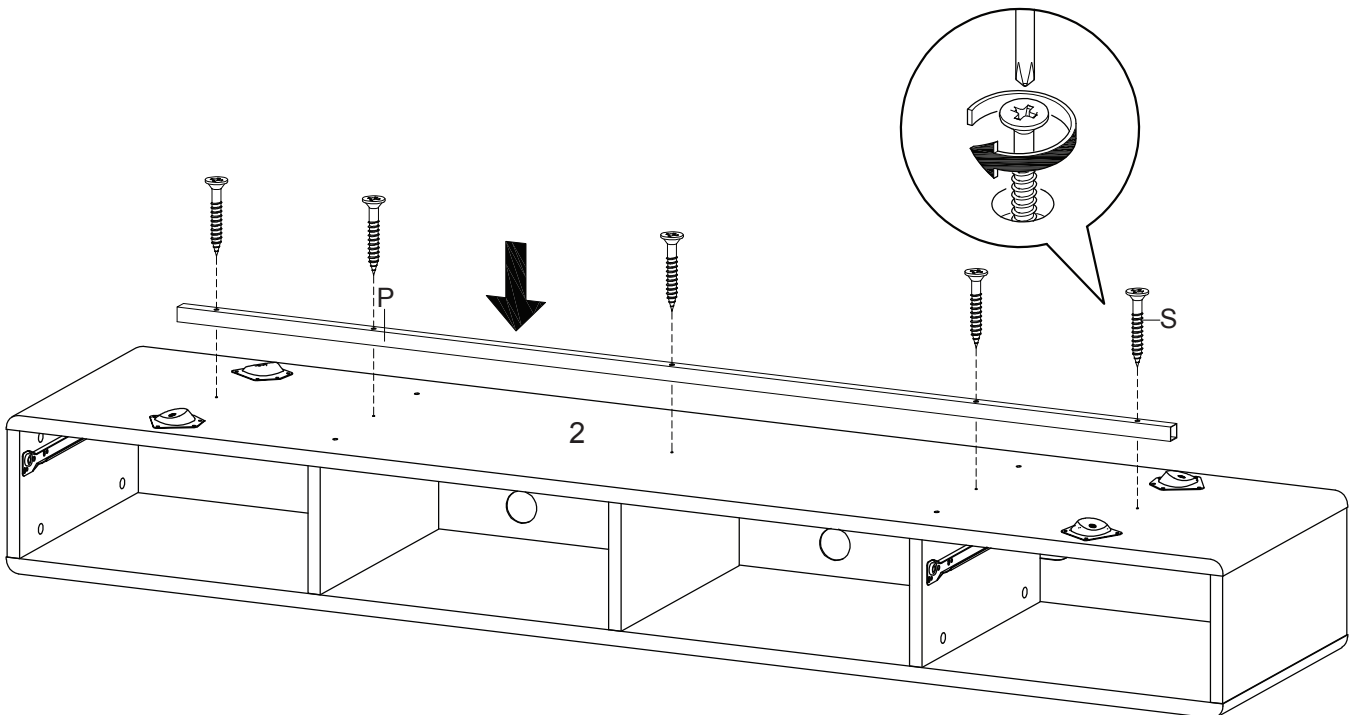
## STEP 5:


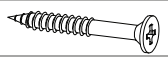
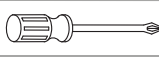


		
Lx4	Mx16	Tx1

Hardware required. Screwdriver not included

## STEP 6:

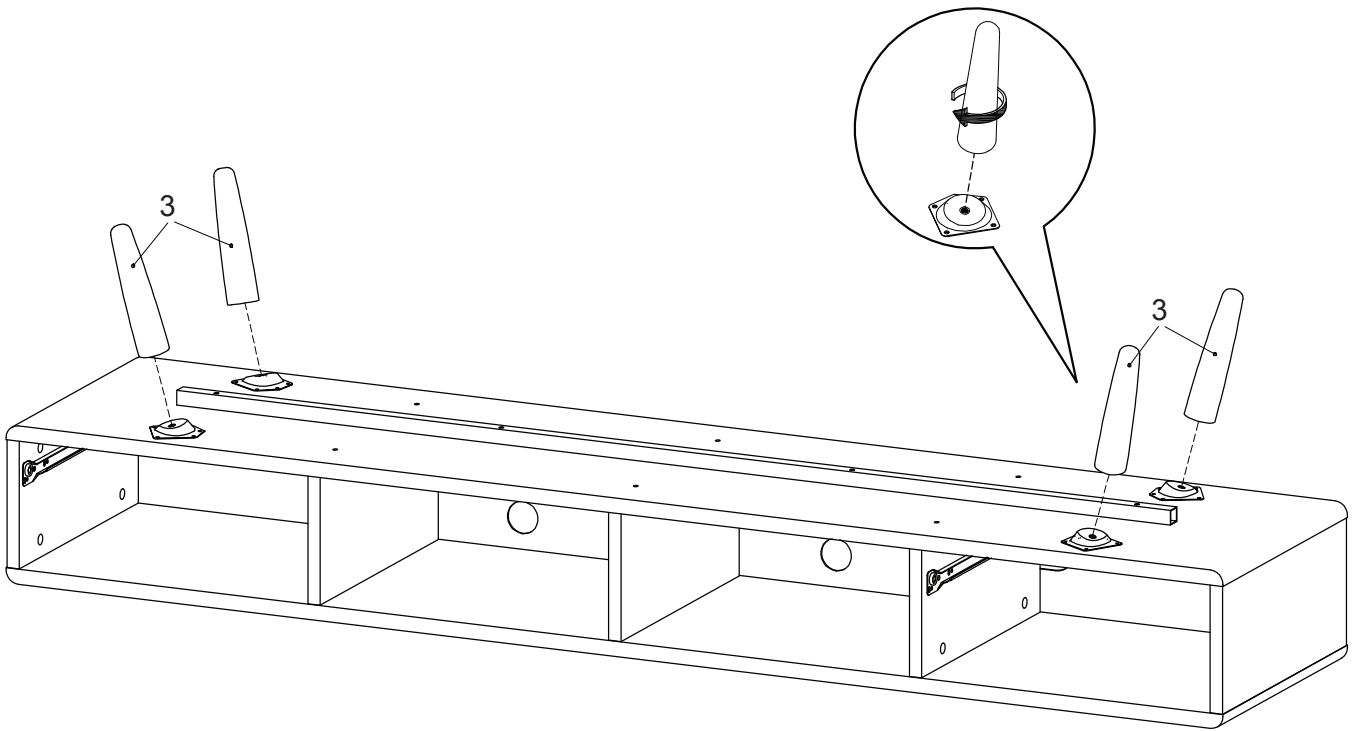


		
Px1	Sx5	Tx1

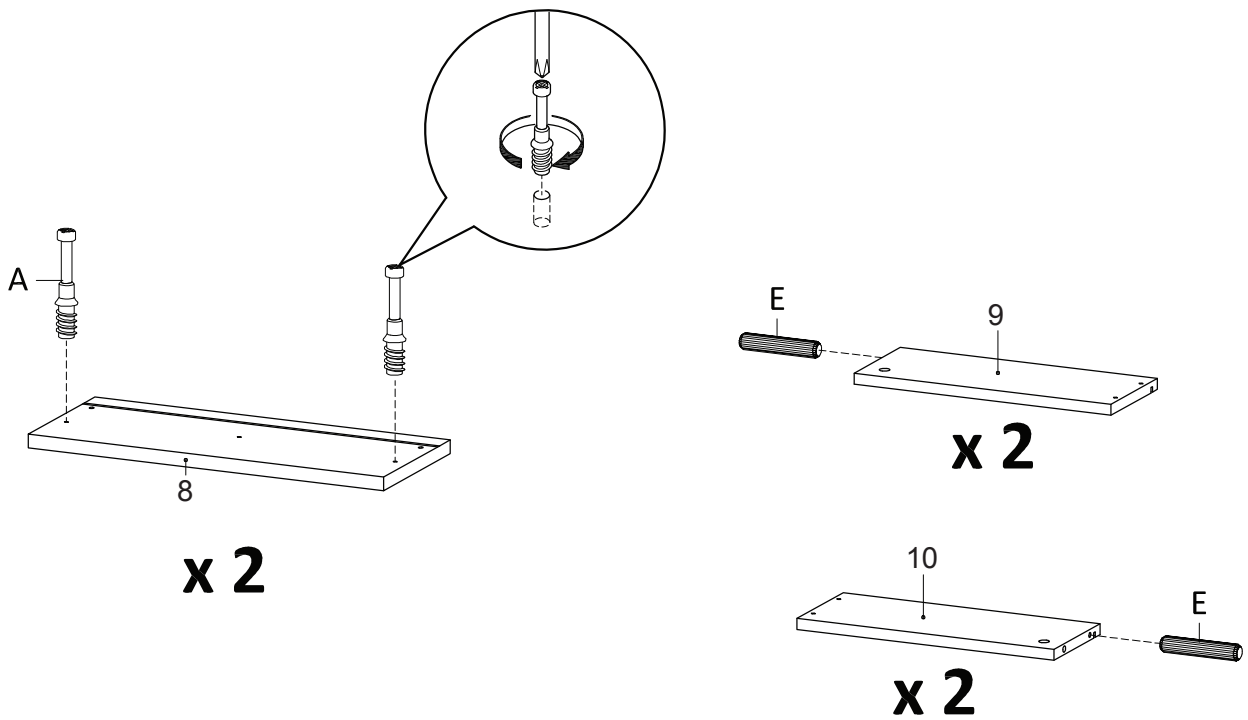
Hardware required. Screwdriver not included

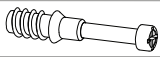

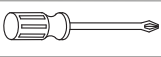
# TV STAND

## STEP 7:



## STEP 8:

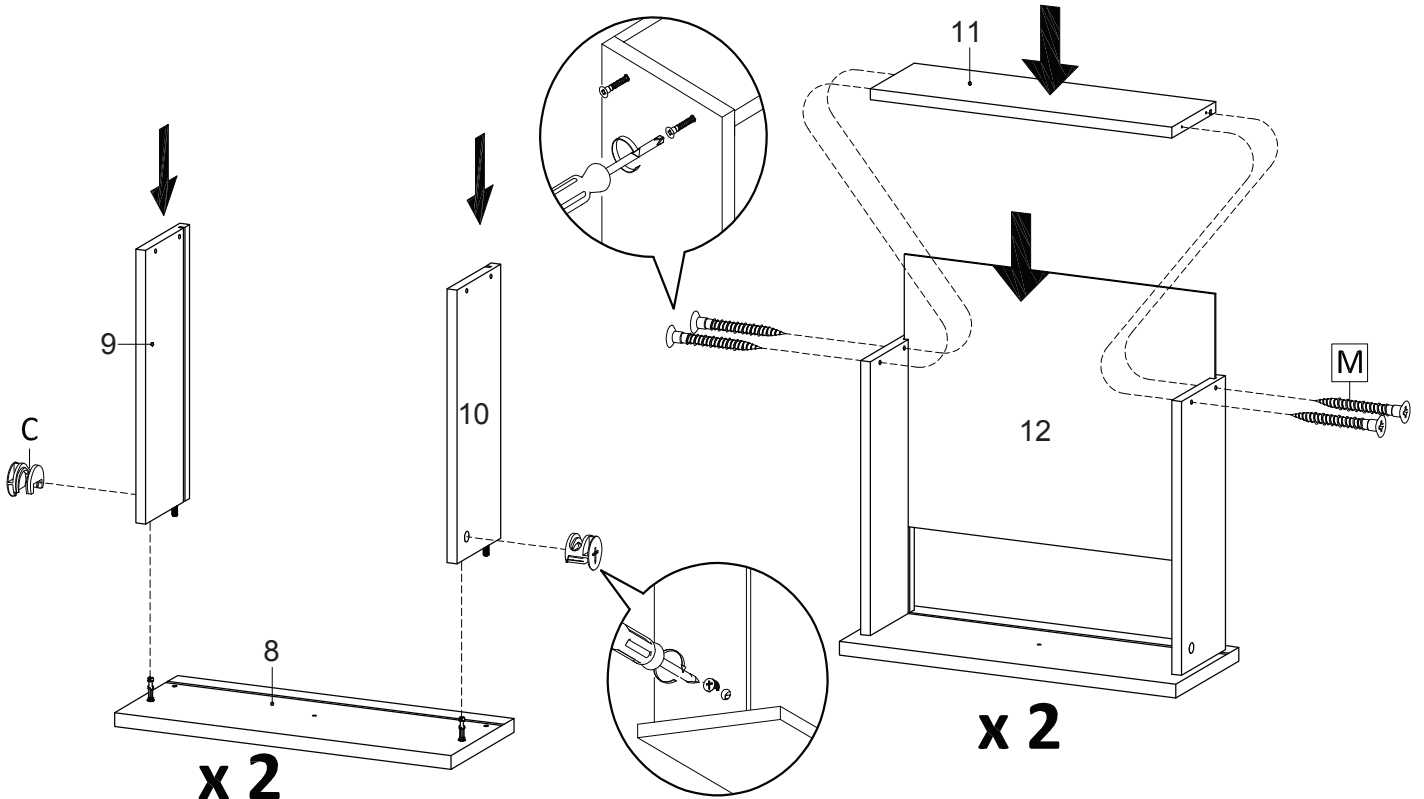



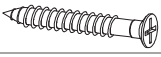
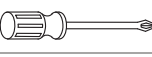
		
Ax4	Ex4	Tx1

Hardware required. Screwdriver not included

**TV STAND**

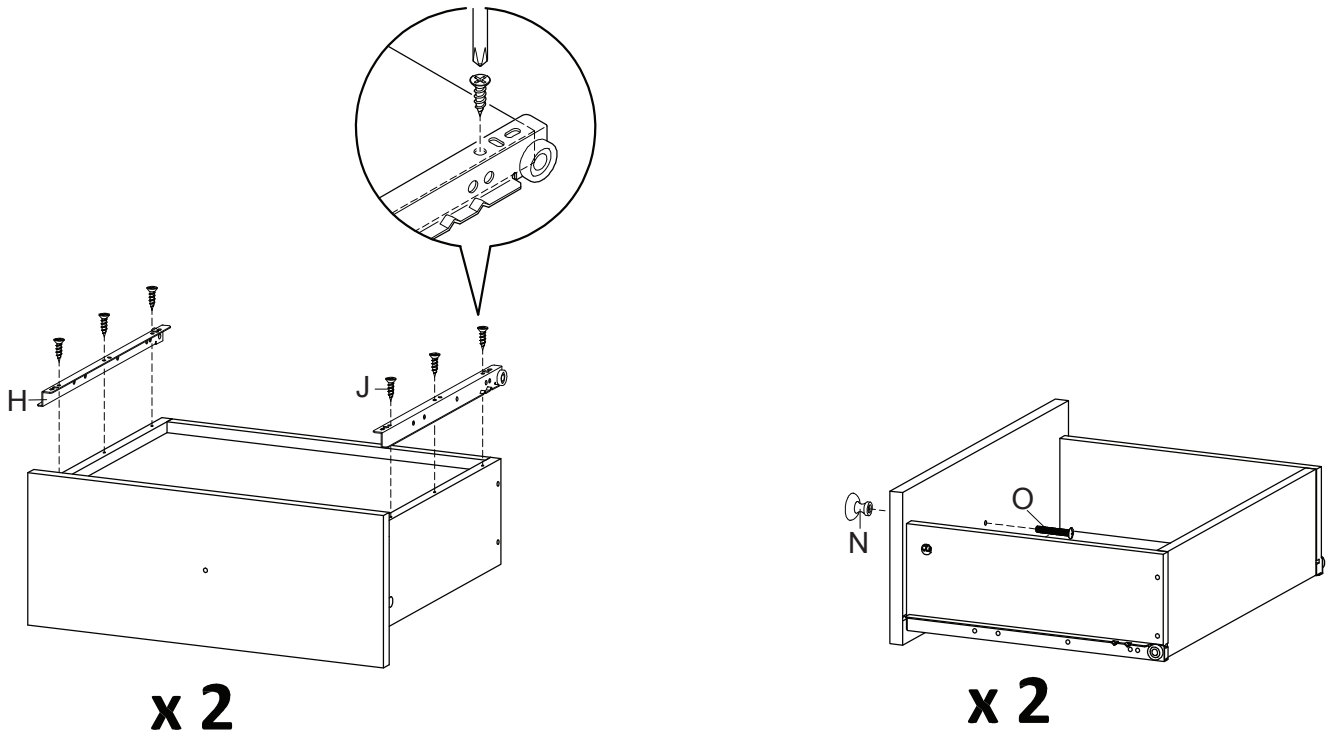
**STEP 9:**

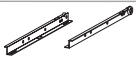



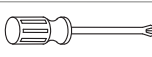


		
Cx4	Kx8	Tx1

Hardware required. Screwdriver not included

**STEP 10:**

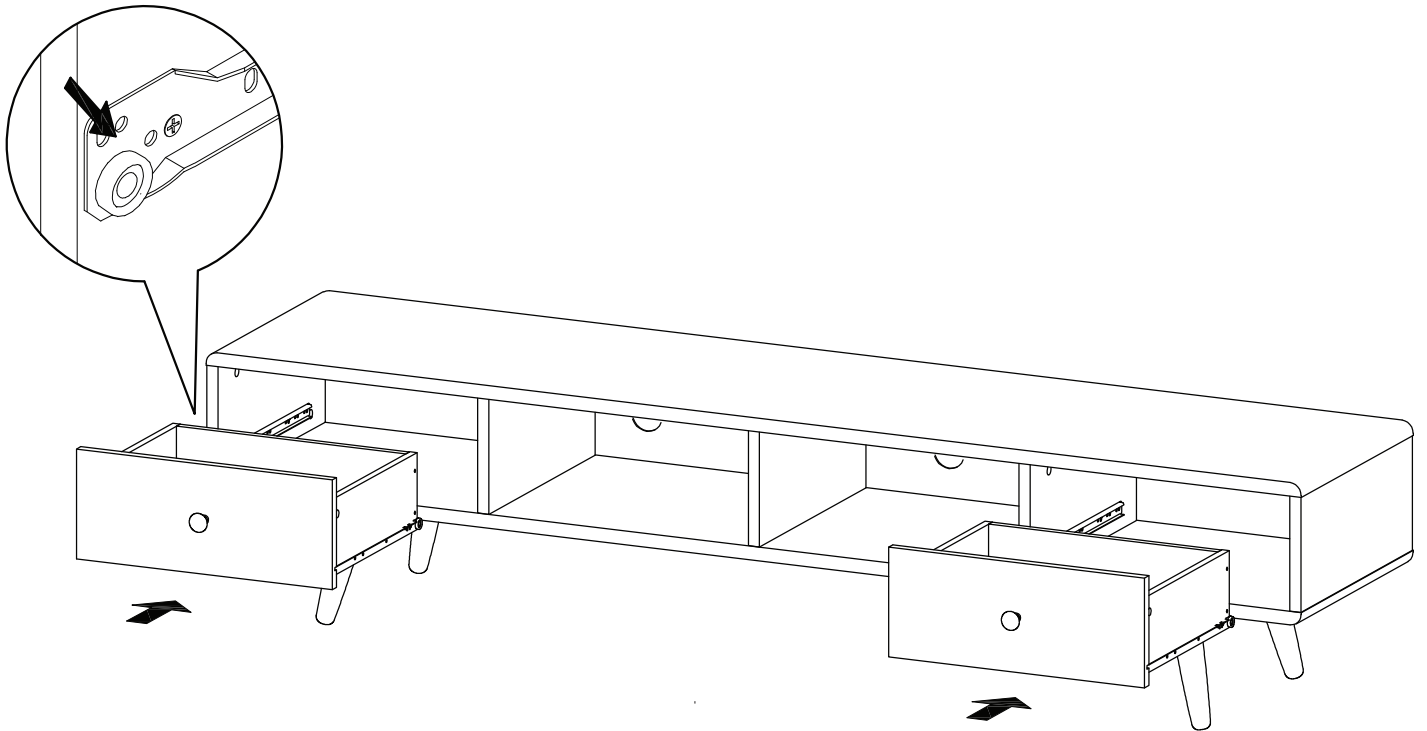


				
Hx2	Jx12	Ox2	Nx2	Tx1

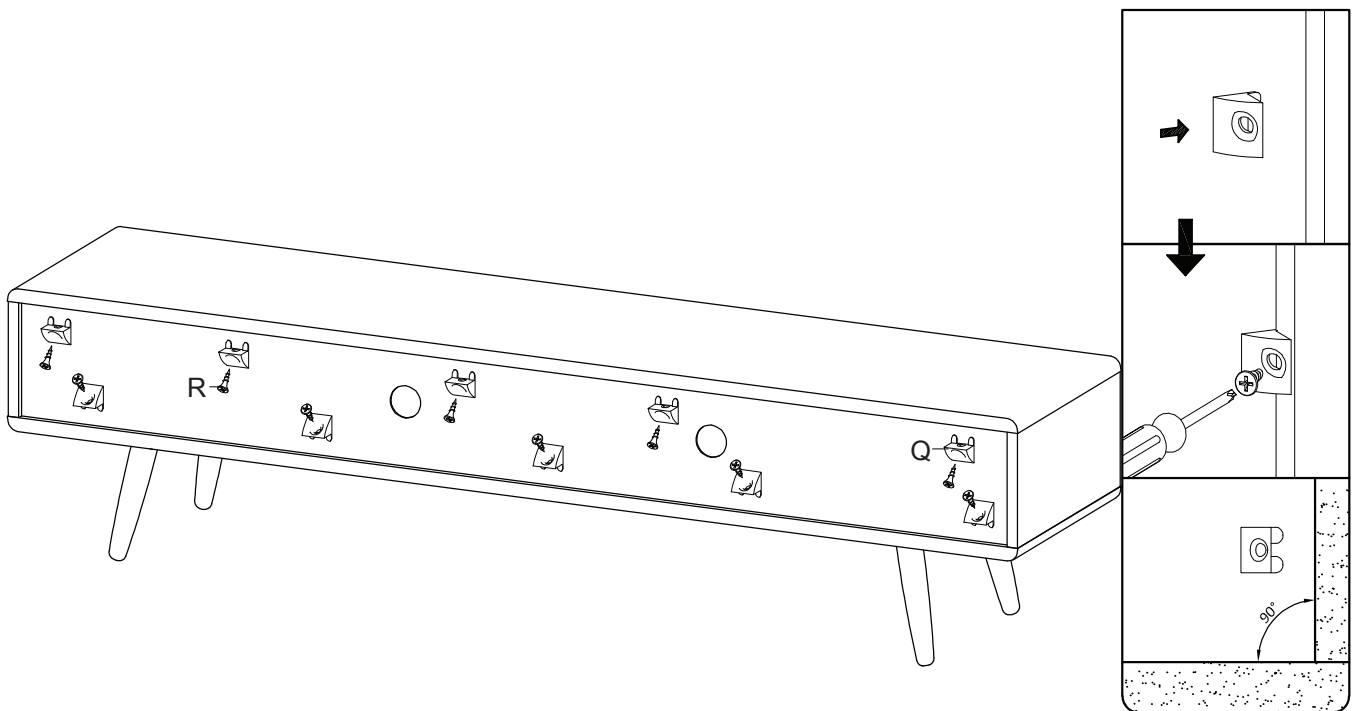
Hardware required.  
Screwdriver not included



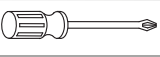
# TV STAND

## STEP 11:



## STEP 12:



		
Qx10	Rx10	Tx1

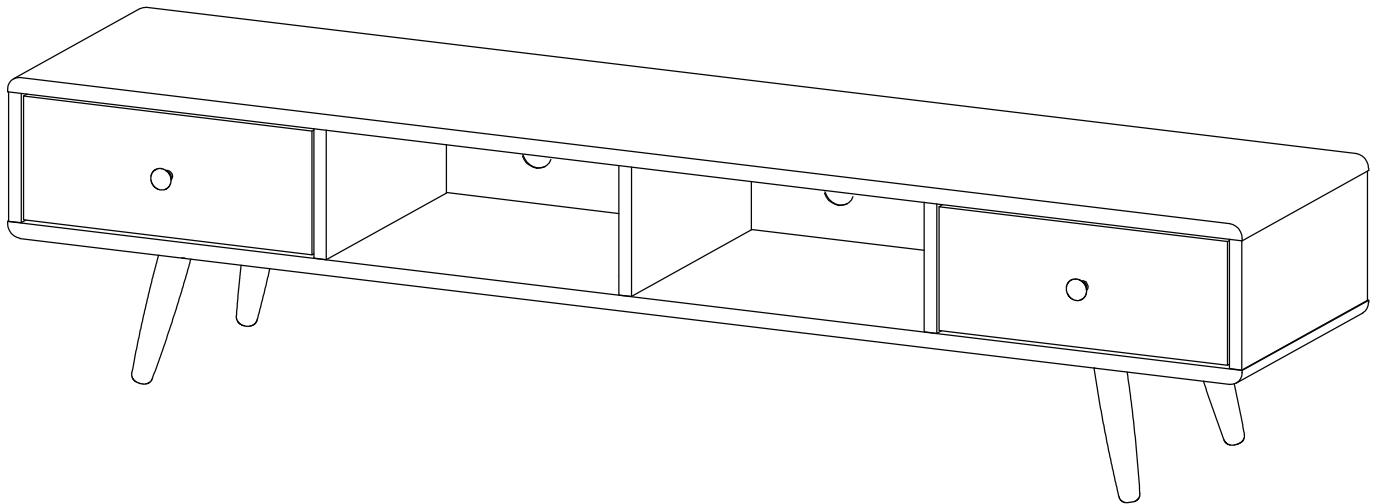
Hardware required. Screwdriver not included



## TV STAND

---

STEP 13:



**Assembly is complete. The TV Stand is ready to enjoy now !**