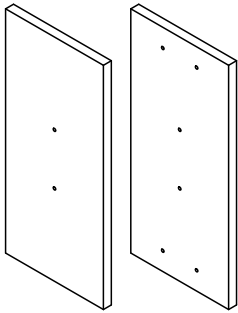


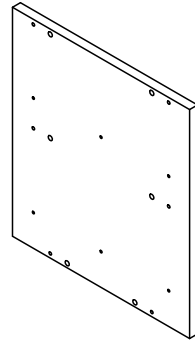
Installation & Assembly



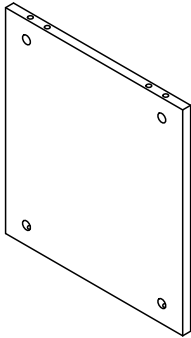
Ax2



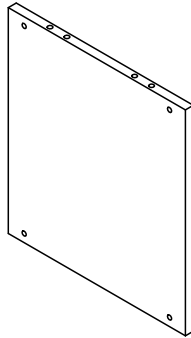
$\frac{398 \times 185}{15.7 \times 7.3}$
Bx2



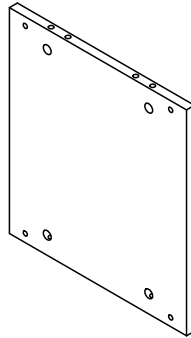
Cx2



Dx1



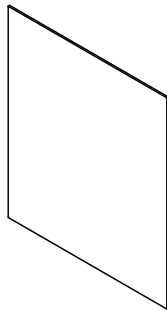
Ex1



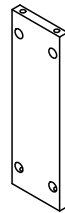
Fx1



Gx2



$\frac{344 \times 300}{13.5 \times 11.8}$
Hx2



lx4



300
11.8
CRx2



300
11.8
CLx2



300
11.8
DRx2



300
11.8
DLx2



Jx26



Kx10



Lx26



Mx40



Nx32



Ox8



Px2



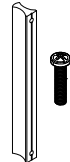
Qx2



Rx4



Sx4



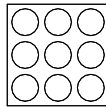
Tx2



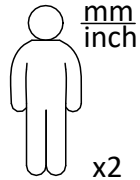
Ux4

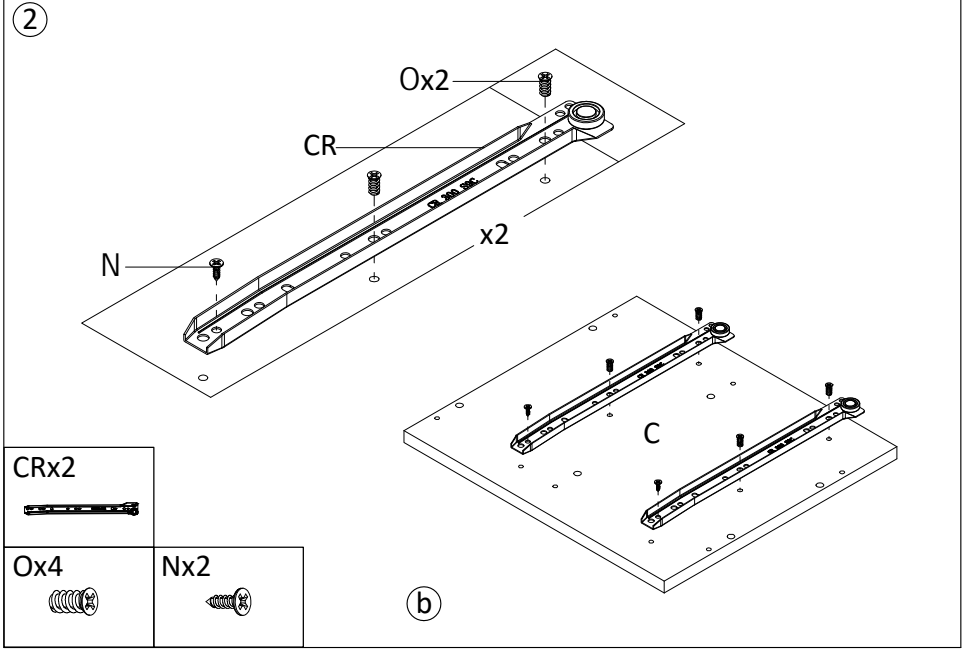
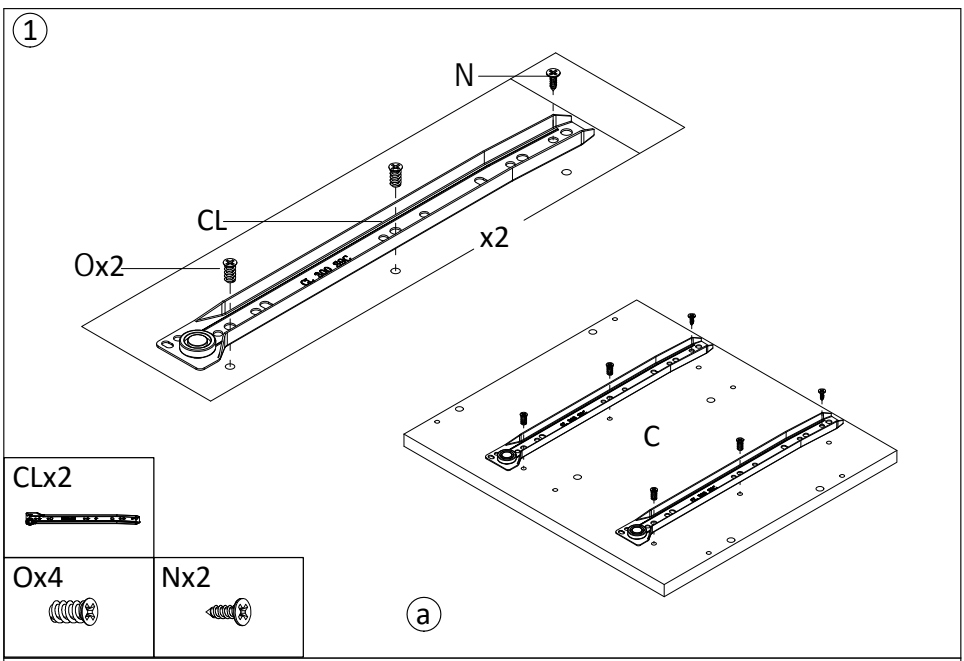


Vx1

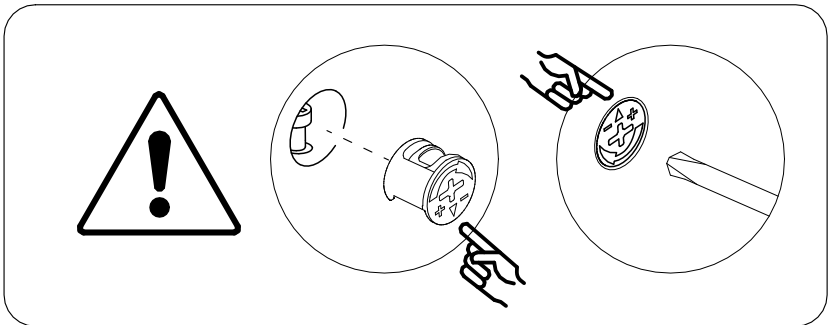
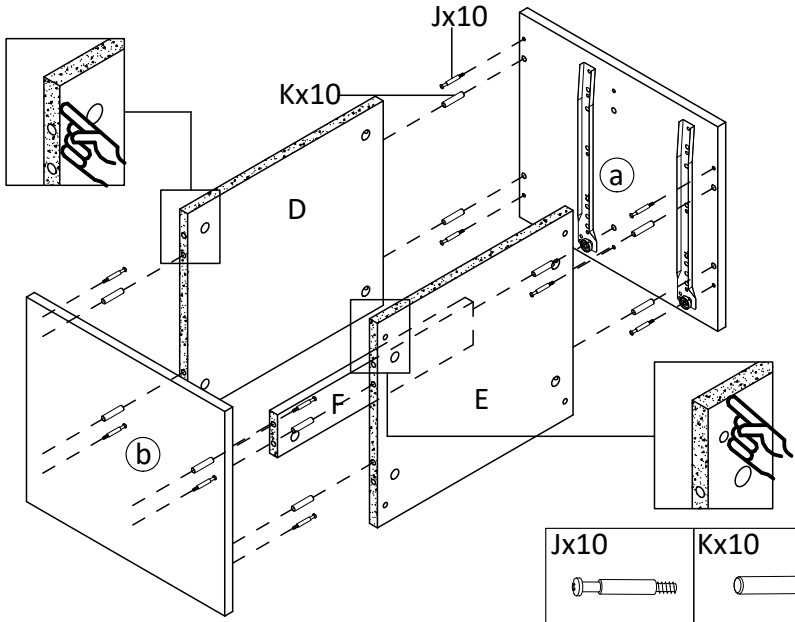


Wx4

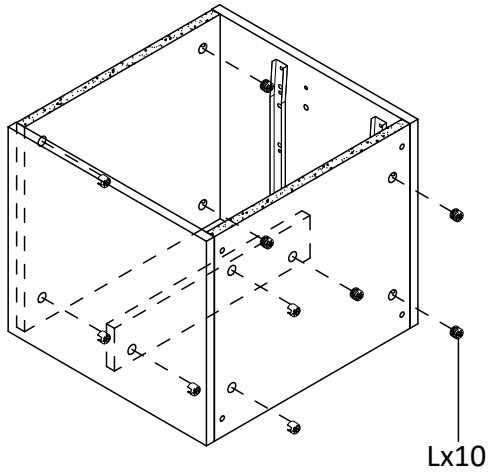




3



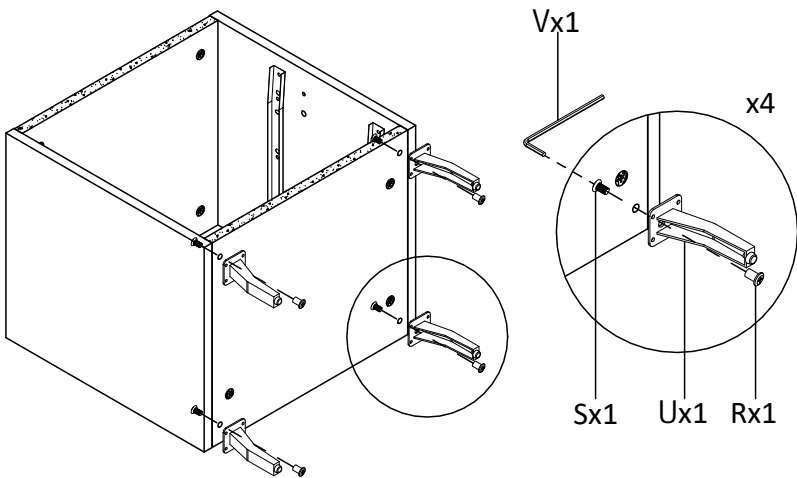
4



Lx10



5



Vx1



Ux4



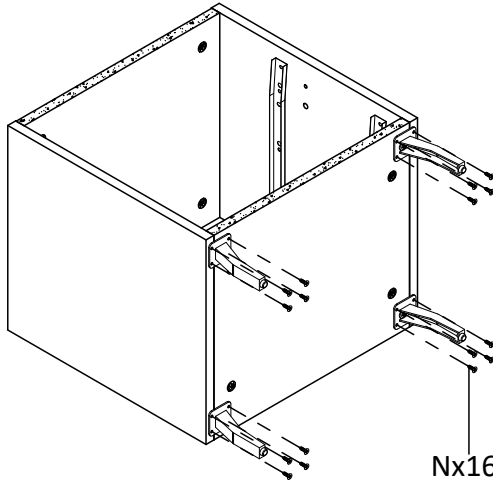
Sx4



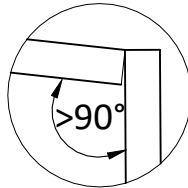
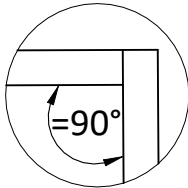
Rx4



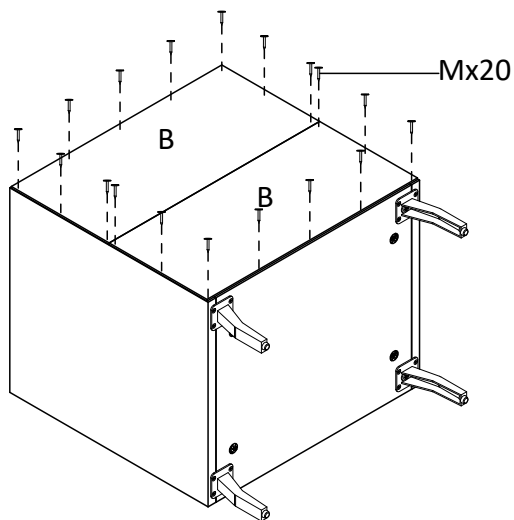
6



Nx16



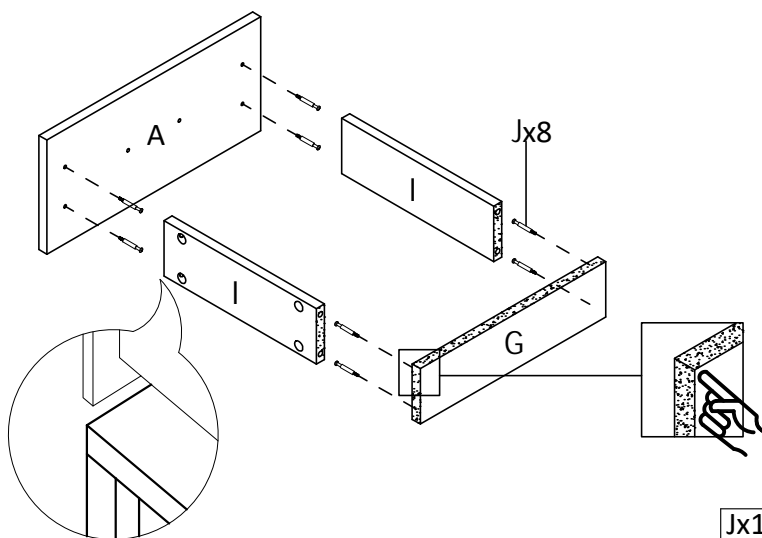
7



Mx20



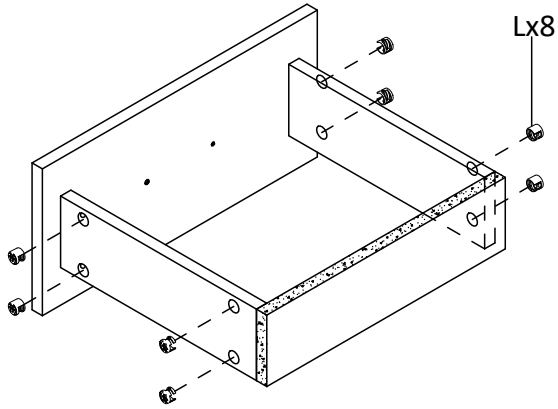
8 x2



Jx16



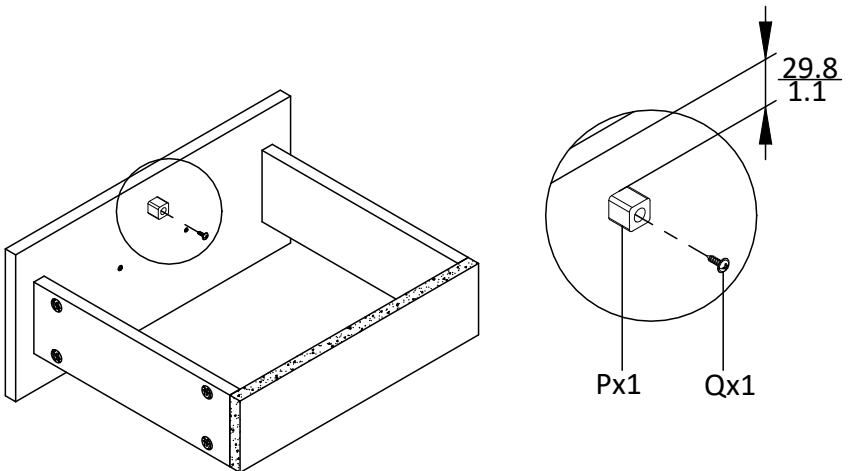
9 x2



Lx16



10 x2

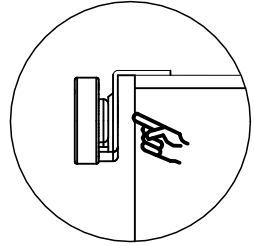
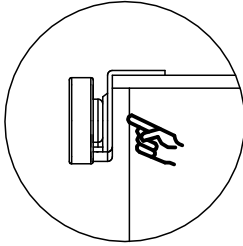
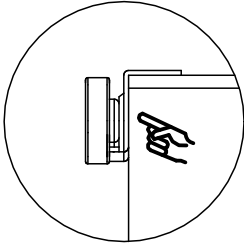


Px2

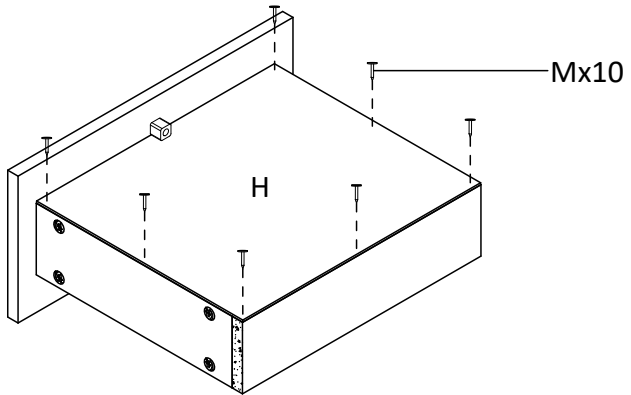


Qx2





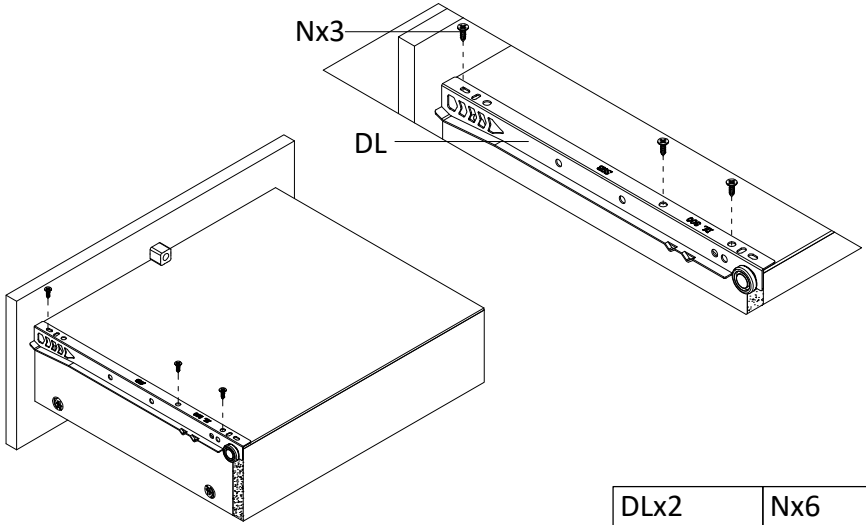
11 x2





Mx20

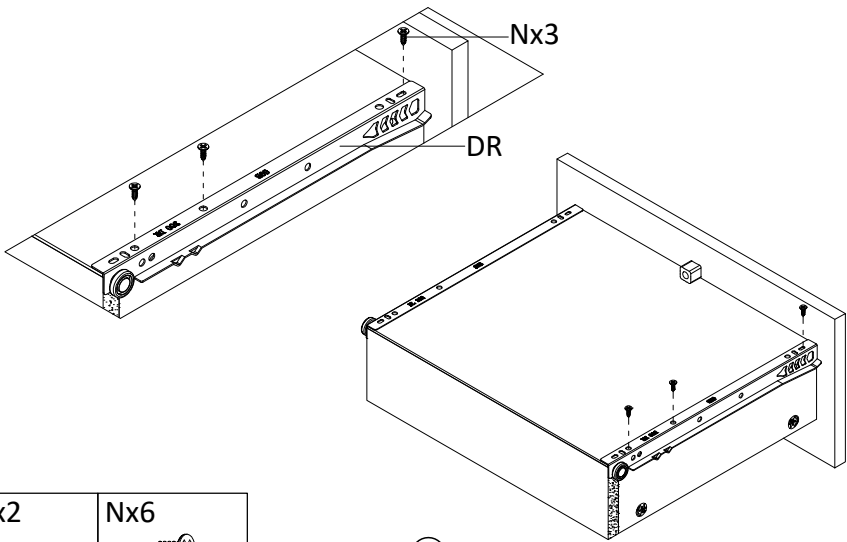




12 x2



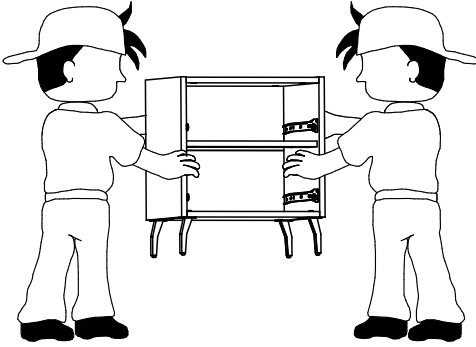
DLx2	Nx6
	

13 x2

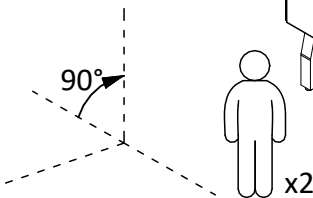
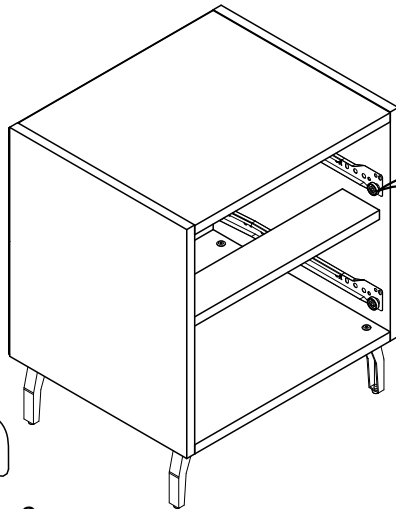
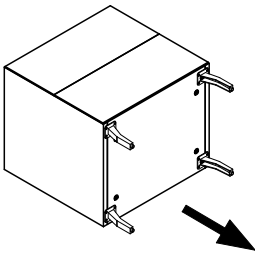


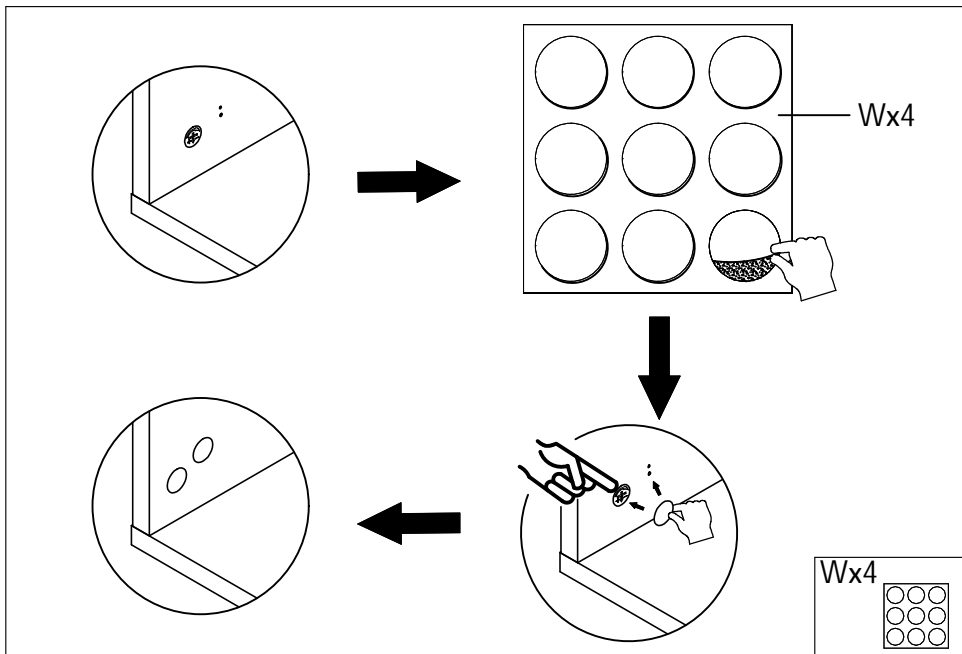
DRx2	Nx6
	

(C)

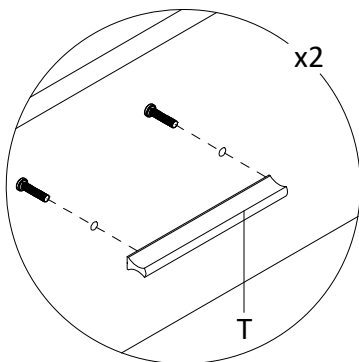
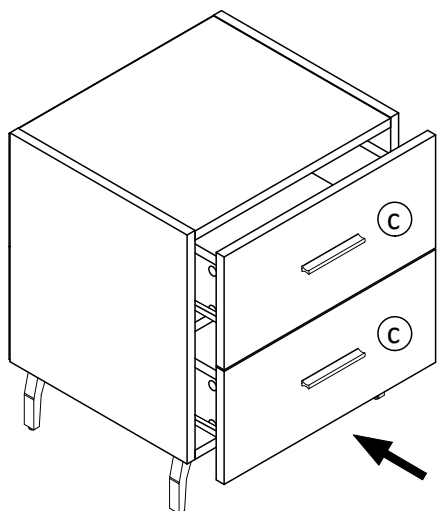


14

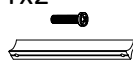




15



Tx2



16

