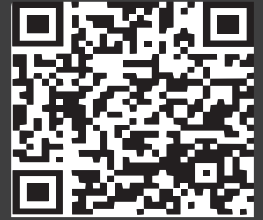
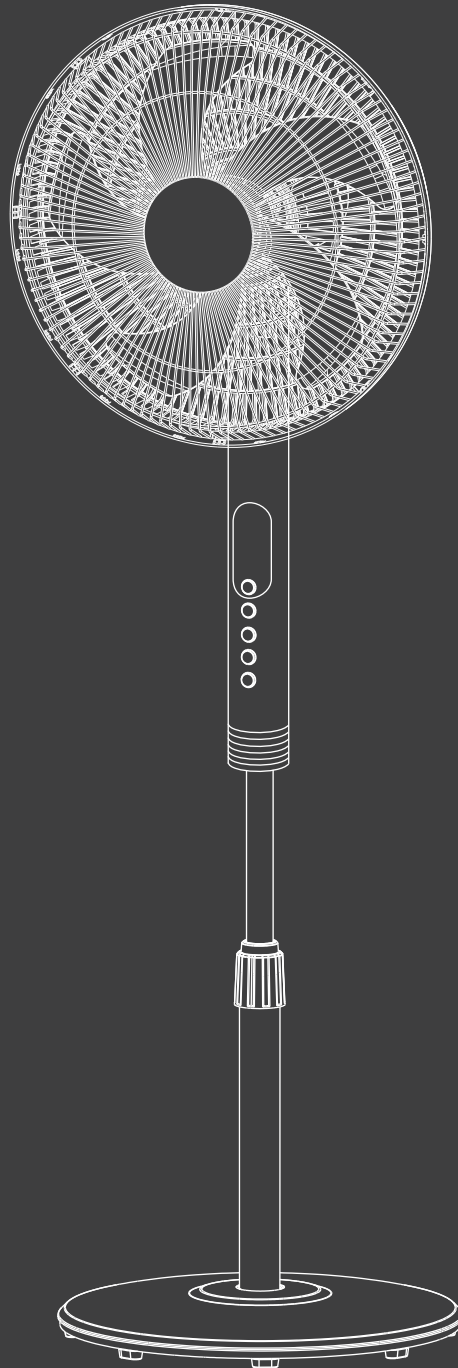


Pedestal Fan

Instruction Manual

AC-DSV6ALD-16



 EST 9:00AM--17:00PM

 HJ-Customer-Service@outlook.com

 6269443420 | 6267435564

Contents

- Specifications 1
- Safety Instructions..... 1-2
- Product Overview..... 2
- Assembly Instructions..... 3-4
- Functions and Operation..... 5
- Replacing the Fuse.....6
- Replacing the Battery.....6
- Maintenance..... 7
- Troubleshooting..... 7
- Warranty Information..... 8

Specifications

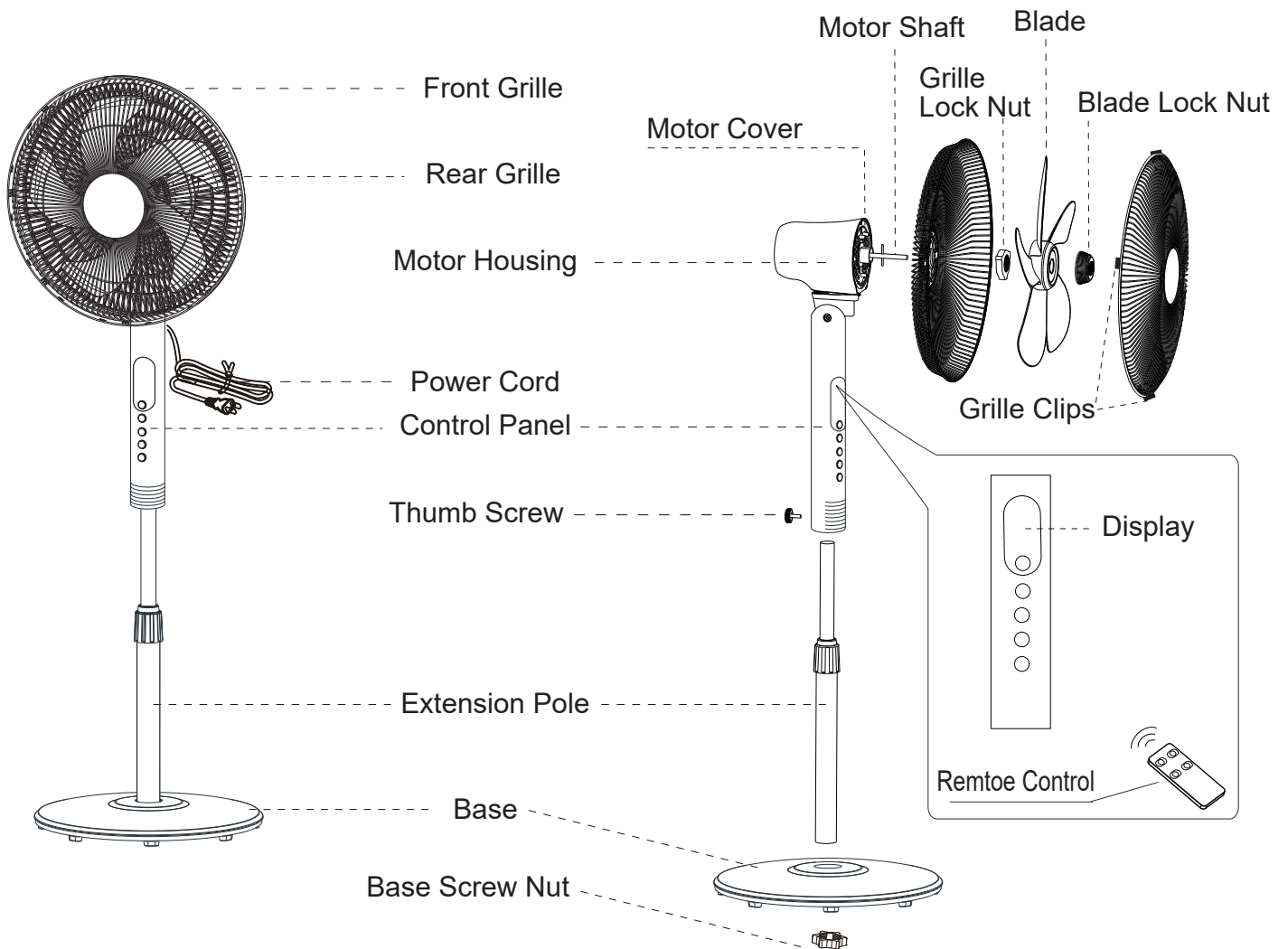
SKU	Rated Voltage	Rated Power	Rated Frequency	Noise	Speed
AC-DSV6ALD-16	120V~	60W	60Hz	≤55dB	3 levels (F1–F3)

Safety Instructions

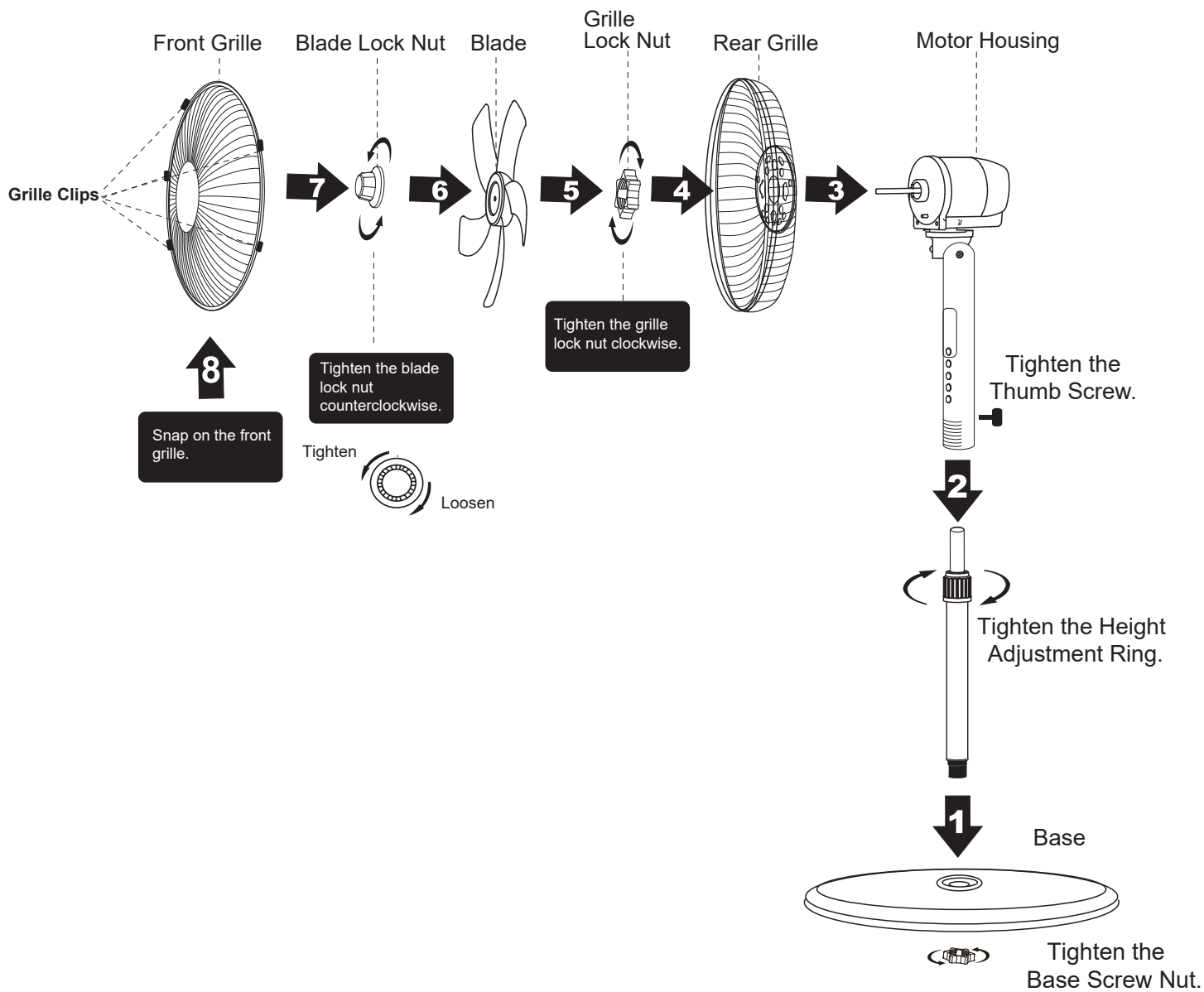
1. Please read this manual carefully before using the product and keep it for future reference.
2. Check that all accessories are included as listed in this manual, and ensure the product is intact and matches the description.
3. Place the product on a level surface and do not turn it upside down.
4. If you have any questions or suggestions, please contact us.
5. Do not use this product in the following situations:
 - a. Wet areas;
 - b. Places exposed to direct sunlight or rain;
 - c. Corrosive or explosive environments;
 - d. Extremely high or low temperatures;
 - e. Near curtains, obstacles, or unstable surfaces.
6. Do not plug in the product before it is properly assembled.
7. Ensure the power supply matches the voltage indicated on the product label.
8. Never insert pointed objects into the fan grilles.
9. This product should not be operated by children or persons with physical or mental disabilities unless supervised and properly instructed.
10. Protect the product from impacts and excessive force.
11. Do not place the product directly under a power outlet.
12. Do not unplug the product with wet hands.
13. Regularly check the power cord and plug for damage.
14. Power cord replacement must be performed by a qualified professional.
15. Always unplug the product when moving it or if the power supply is interrupted.
16. Infants and the elderly should avoid prolonged use at the highest fan speed.
17. Children must be supervised to ensure they do not play with the fan.

18. Disconnect the plug from the power outlet when the product is not in use.
19. Do not touch the product with wet hands.
20. This product is for home use only and is not intended for commercial use.
21. Do not expose the product to outdoor conditions (rain or direct sunlight).
22. Do not disassemble the product yourself.
23. Never connect the product to a power source before proper assembly.

Product Overview



Assembly Instructions

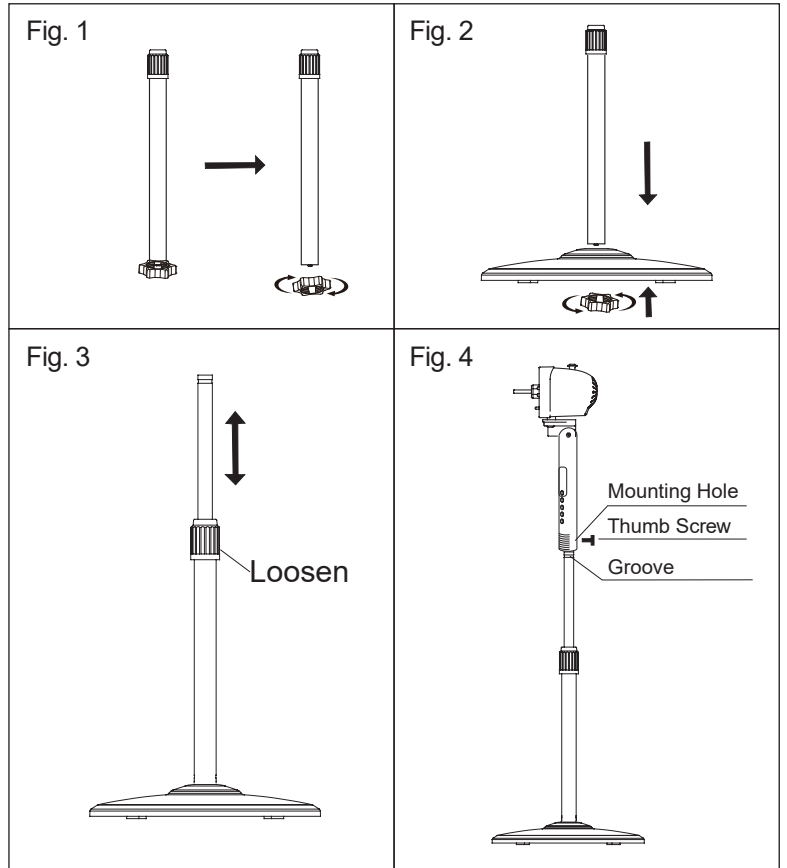


① Assembly of Base & Extension Pole

1. Unscrew the base screw nut from the extension pole (see Fig. 1).
2. Insert the extension pole into the base and tighten the base screw nut securely (see Fig. 2).
3. Loosen the height adjustment ring on the extension pole. Adjust the inner tube to the desired height, **then tighten the height adjustment ring**.

NOTE: If the inner tube is not visible, it may have slid inside the extension pole. Pull it out gently from the extension pole (see Fig. 3).

4. To attach the upper fan assembly, slightly loosen the thumb screw located at the bottom of the motor housing. Place the motor housing onto the extension pole, align the thumb screw with the groove on the inner tube, and then tighten the thumb screw securely (see Fig. 4).

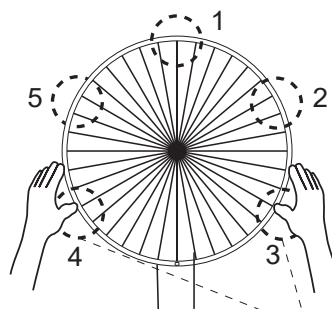
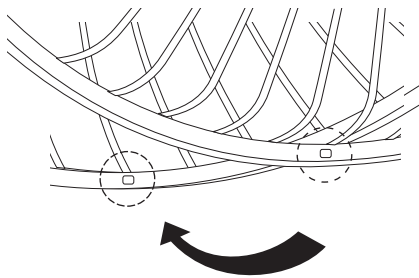


⚠ CAUTION: Ensure the height adjustment ring is fully tightened before installing the motor housing onto the extension pole.

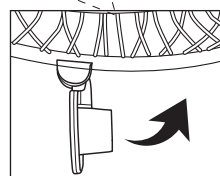
② Grille Assembly

Front and Rear Grille Installation

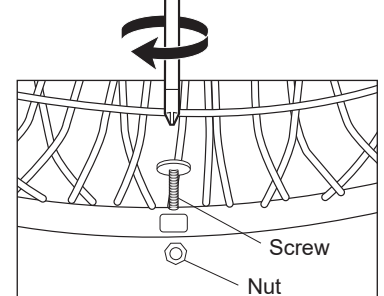
Align the holes in the front and rear grilles.



Snap the five clips into place by hand.

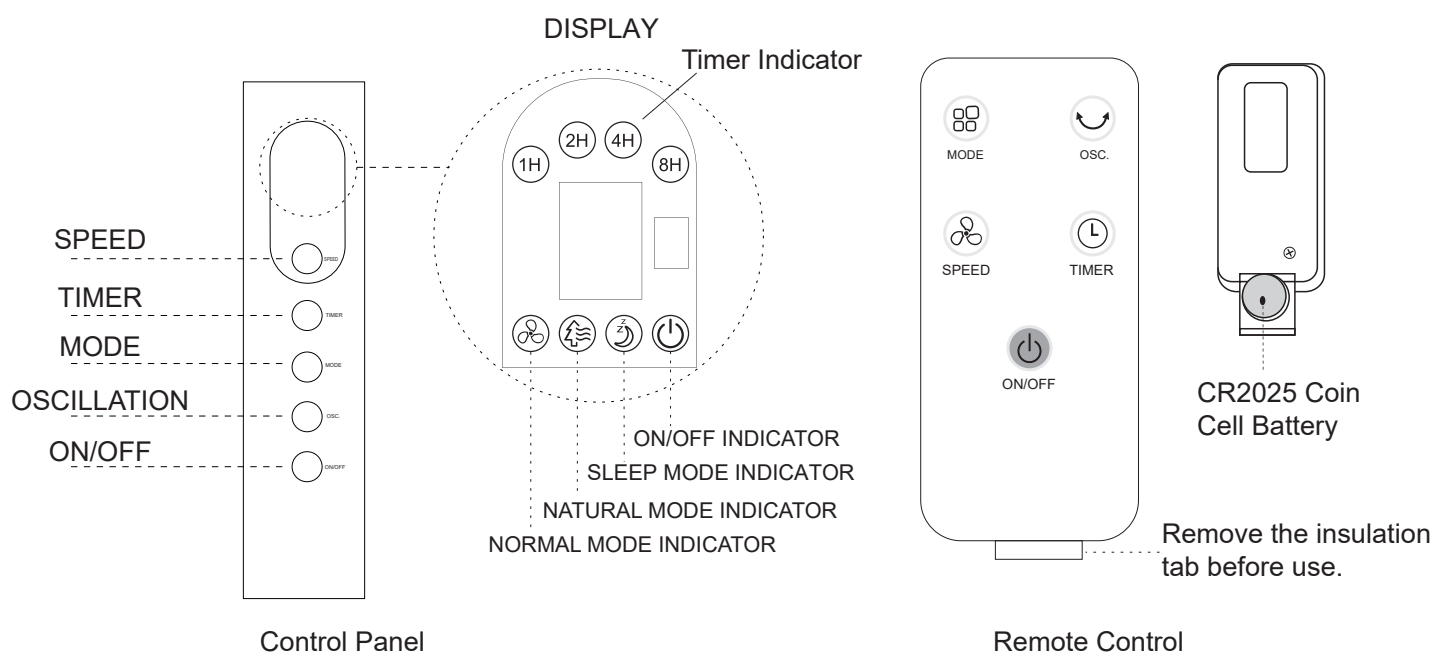


Insert the screw through the aligned holes and fasten it with the nut.



⚠ WARNING: Never operate the fan without the grilles properly installed and secured. Operating the fan without the grilles in place may result in serious injury.

Functions and Operation



ON/OFF: Press this button to turn the fan on or off. The fan beeps when turned on, all buttons flash once, and the fan enters standby mode.

Oscillation (OSC.): Press this button to start or stop the left-right oscillation.

Speed: The fan starts at F1. Press this button to increase the speed one level at a time, up to F3. Press it once more to go back to F1.

Timer: Press this button to set the timer. Each press adds 1 hour, up to 15 hours. The display shows the total time in separate numbers that add up—for example, a 10-hour timer appears as "2H" and "8H".

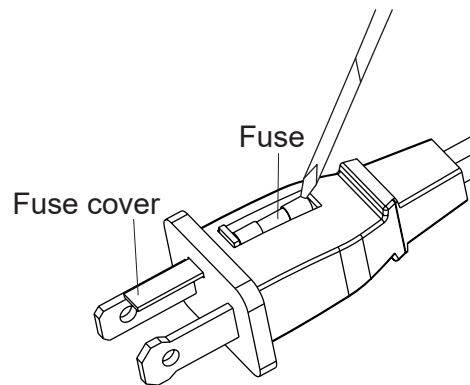
Mode: There are three modes: Normal Wind, Natural Wind, and Sleep Wind. Press this mode button to cycle through the modes. The default mode is Normal Wind, and the corresponding indicator lights up for each mode.

Display: The display shows the current fan speed and timer settings. When the fan is first turned on, it displays "___". If no buttons are pressed for 3 minutes, the display turns off automatically and will reactivate when any button is pressed.

Replacing the Fuse

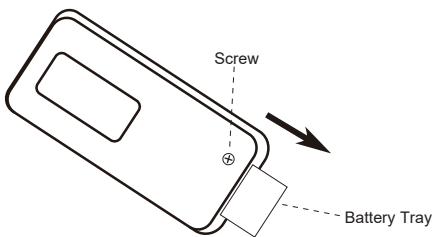
1. Unplug the fan from the power outlet by holding the plug. Do not pull the cord.
2. Open the fuse cover on the side of the plug by sliding it toward the plug blades.
3. Remove the fuse carefully using a small tool. Pry out one end first, then gently remove the other end.
4. Replace the fuse only with a 5 A, 125 V fuse of the same type to avoid fire risk.
5. Close the fuse cover by sliding it back into place.

CAUTION: Do not attempt to replace the plug itself. If the plug is damaged, discontinue use and discard the product.

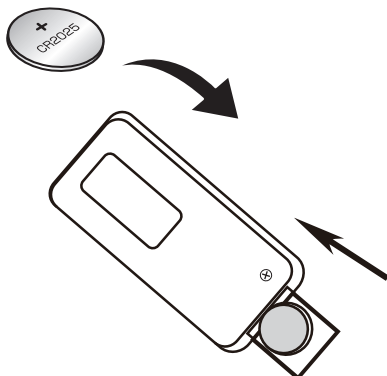


Replacing the Battery

- ① Loosen the screw on the back of the remote control, then slide out the battery tray.



- ② Insert a CR2025 coin cell battery into the battery tray, following the polarity markings.



- ③ Replace the battery tray and secure the back cover by turning the screw clockwise.

Attention

1. Do not charge the battery.
2. Keep the remote control and battery out of reach of children. If a battery is swallowed, seek medical attention immediately.
3. When operating the fan with the remote control, point it at the fan's display.
4. Avoid interference from other electrical appliances. Remote control signals may overlap, which can cause misoperation. Note that using the fan's buttons or the remote control to turn off the fan does not completely cut off power.
5. If the fan or remote control will not be used for a long time:
 - Unplug the fan from the power outlet.
 - Remove the battery from the remote control.

! WARNING

- **Ingestion Hazard:** This product contains a button cell (coin) battery. **Death or serious injury can occur if swallowed.**
- A swallowed battery can cause internal chemical burns in as little as 2 hours.
- **Keep new and used batteries out of reach of children.**
- If a battery is suspected to have been swallowed or inserted into any part of the body, **seek immediate medical attention.**

Battery type: CR2025, DC 3V (included).



Maintenance

Before Cleaning:

1. Turn the fan off using the ON/OFF button.
2. Unplug the fan from the power outlet.

Important: Do not disassemble the fan to clean the interior.

Cleaning the Exterior:

1. Wipe the exterior with a soft, clean cloth or a cloth slightly dampened with a mild detergent.
2. Do not use corrosive or alkaline cleaners.
3. Do not clean the interior (circuit board, motor, etc.) or allow water to reach the control circuit.
4. Always dry the exterior after cleaning.
5. Never submerge the fan, power cord, or plug in water.
6. It is recommended to clean the fan every 2 months.

Seasonal Maintenance:

1. Clean the exterior following the instructions above before storing the fan at the end of the season.
2. Cover the fan and store it upright in a cool, dry location.

Notice:

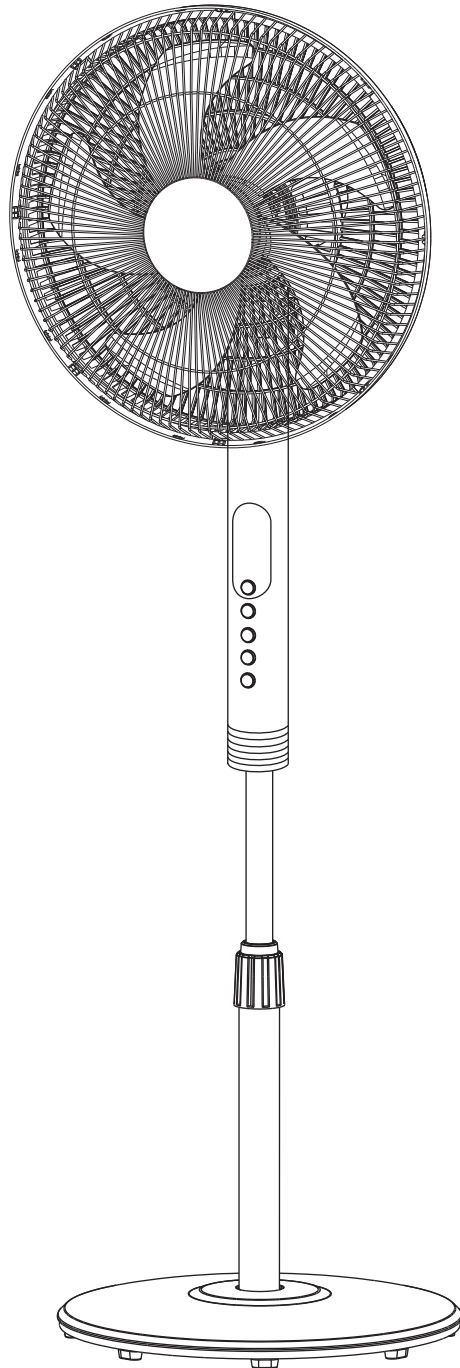
If the fan does not operate properly or produces unusual smells, unplug it immediately and contact our after-sales service.

Troubleshooting

Fan will not start	Check that the power plug is fully inserted into the outlet.
	Check that the power button is turned on.
	Check that the power supply is on.
Noise during operation	Check that the fan blade is installed correctly.
	Check that the front and rear grilles are properly aligned and secured.
	Check for any burrs on the fan blade.
	Check that the grilles are not deformed and do not contact the fan blade.
Fan vibrates during operation	Check that the fan blade is properly aligned with the motor shaft. If misaligned, remove the fan blade, rotate it 180°, and reinstall.

Warranty Information

1. This product is covered by a **one (1) -year** limited warranty against defects in materials and workmanship, valid only for the original purchaser. The warranty period begins on the date of retail purchase and is non-transferable.
2. This warranty does not cover normal wear and tear, or any damage resulting from misuse, negligent use, use with improper voltage or current, failure to follow the operating instructions, or any disassembly, repair, or modification not authorized by our after-sales service.
3. Additionally, this warranty does not cover damages caused by Acts of God (such as fire, flood, hurricanes, or tornadoes) or force majeure events (such as arson, power outages, riots, or vandalism).
4. This warranty gives you specific legal rights, and you may also have other rights which vary from state to state (or province to province). Some states (or provinces) do not allow limitations on how long an implied warranty lasts, or the exclusion or limitation of incidental or consequential damages, so the above limitations or exclusions may not apply to you.



Technical Support

6269443420 | 6267435564

Other Info

HJ-Customer-Service@outlook.com

Thank you for choosing this product. We strive to provide you with the best quality products and service in the industry. Should you have any issues, please don't hesitate to contact us.