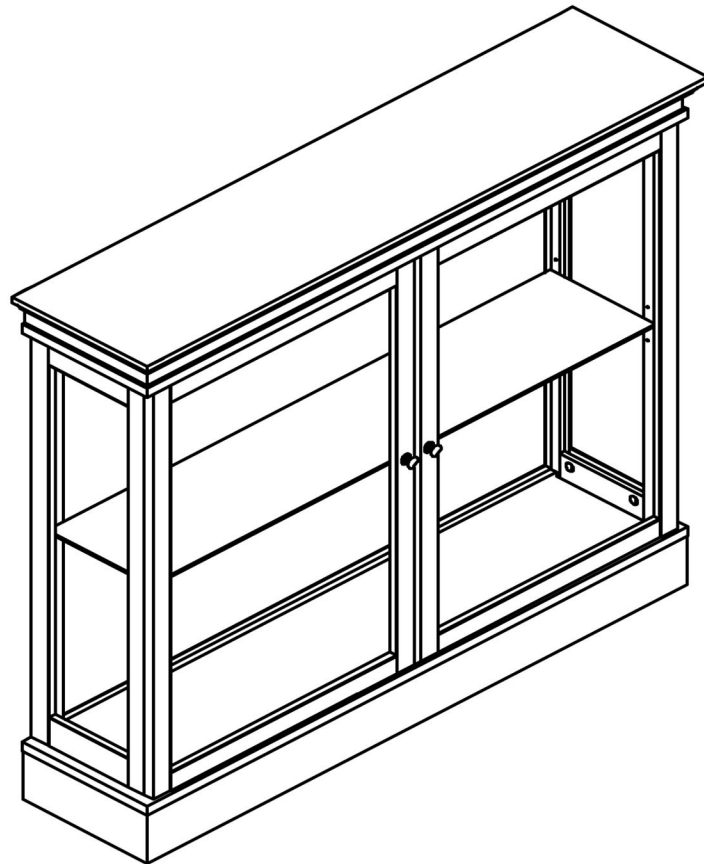


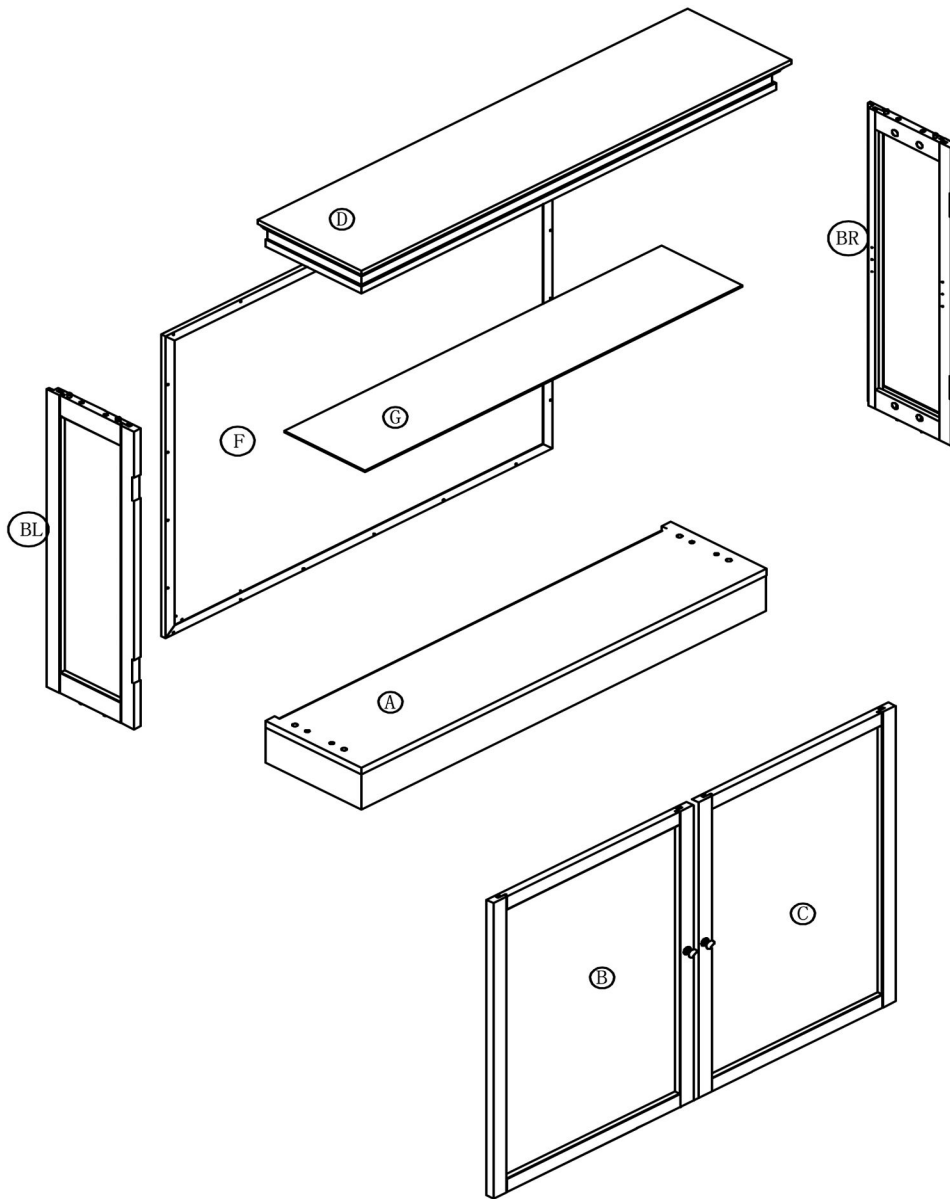
ASSEMBLY GUIDE



Note: This instruction booklet contains important safety information, please read and keep for future reference.

PARTS IDENTIFICATION

- Ensure that all parts and components are located before beginning assembly. Parts are labeled to help distinguish similar parts from each other. Use this PARTS IDENTIFICATION to help identify similar parts.
- Assemble on a soft surface to prevent damage to the product finish.
- Two people are needed for assembly.
- Estimated assembly time is approximately 1.5 hours.

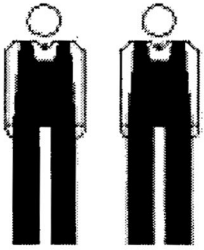


(A)BASE UNIT-1PC
(B)LEFT DOOR-1PC
(F)BACK PANEL-1PC

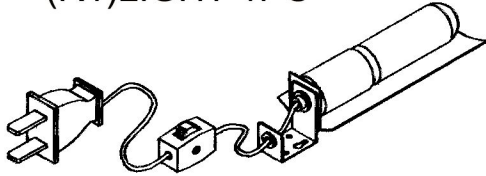
(BL)LEFT PANEL-1PC
(C)RIGHT DOOR-1PC
(G)SHELF-1PC

(BR)RIGHT PANEL-1PC
(D)COVER BOARD-1PC

HARDWARE IDENTIFICATION



(R1)LIGHT-1PC



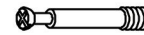
(R2)FLAT HEAD SCREW
ST2.9X12-14PCS



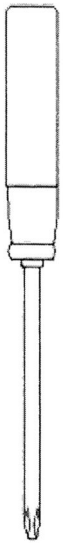
(R3)FLAT HEAD SCREW
ST2.9X25-18PCS



(R4)CAM BOLT-8PCS



TOOL REQUIRED



PHILLIPS HEAD
SCREWDRIVER

(R5)CAM LOCK-8PCS



(R6)SHELF SUPPORT-4PCS



(R7)DOOR KNOB-2PCS

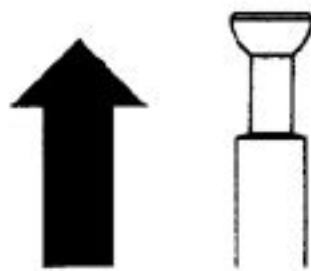
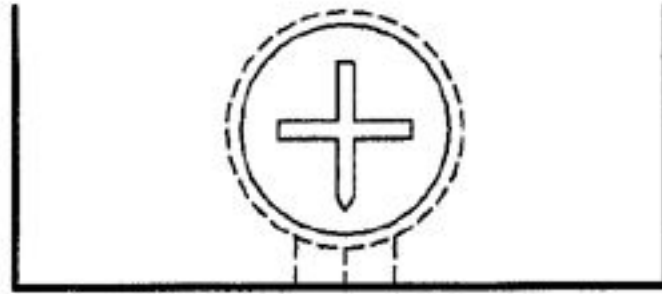


(R8)ADJUSTABLE FOOT-4PCS



SHORT FLAT
SCREWDRIVER

CAM LOCK SYSTEM



(1)

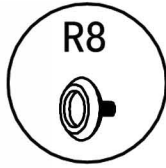
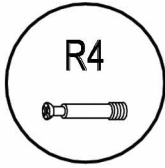
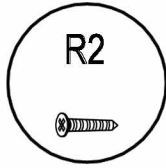
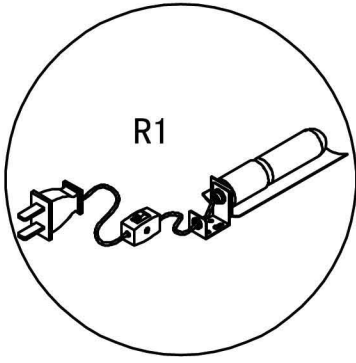
CORRECT



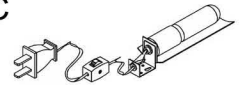
(2)

WRONG

Ensure starting position is correct, adjust cam bolt by pushing or pulling during assembly. Turn clockwise until secure.



(R1)LIGHT-1PC



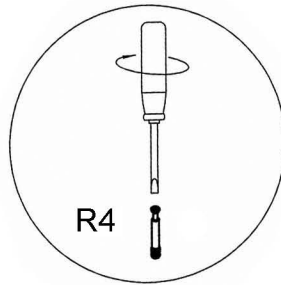
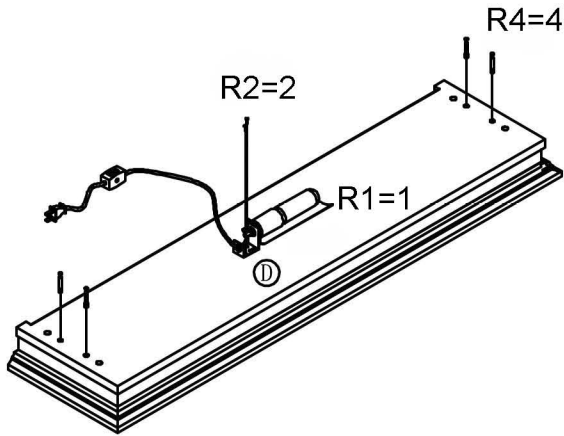
(R2)FLAT HEAD SCREW
(ST2.9X12)-2PCS



(R4)CAM BOLT-8PCS

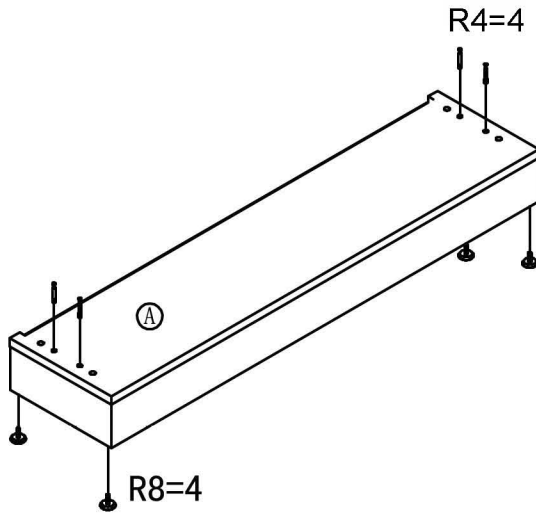


(R8)ADJUSTABLE FOOT-4PCS

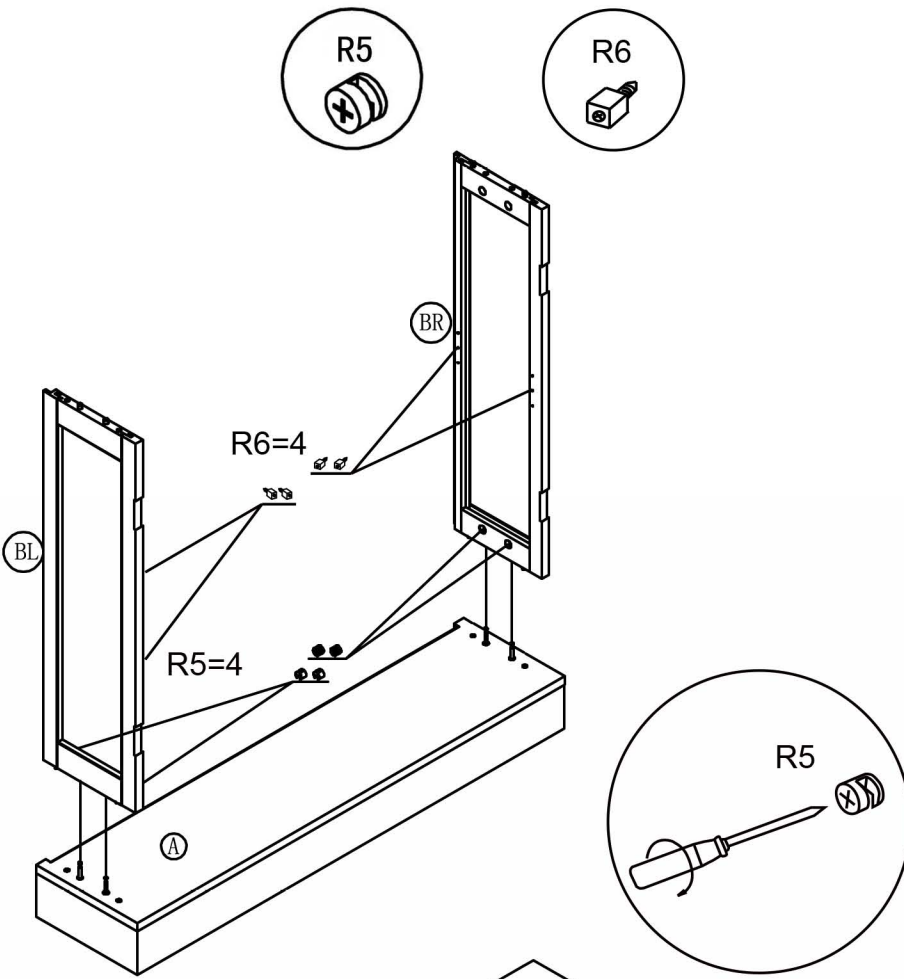


1. a)Fasten light R1 to cover board D using 2 flat head screw R2 (ST2.9X12).

b)Fasten 8 cam bolt R4 to cover board D,base A.



c)Fasten 4 adjustable foot R8 to base A.



(R5)CAM LOCK-8PCS



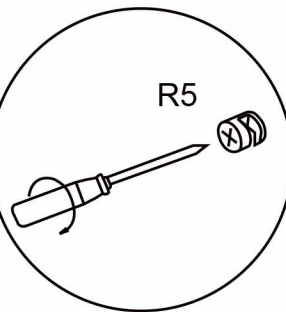
(R6)SHELF SUPPORT-4PCS



2.a)Fasten 4 shelf support R6 to left panel BL and right panel BR.

b)Fasten left panel BL, right panel BR to base A using 4 cam lock R5.

c)Fasten left panel BL, right panel BR to cover board D using 4 cam lock R5.



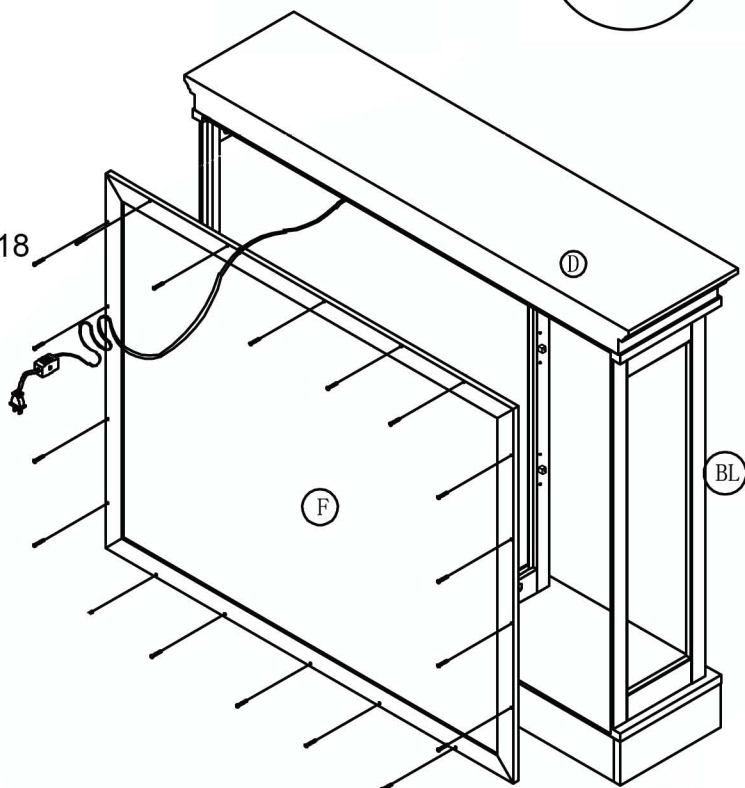
R3



(R3)FLAT HEAD SCREW
(ST2.9X25)-18PCS



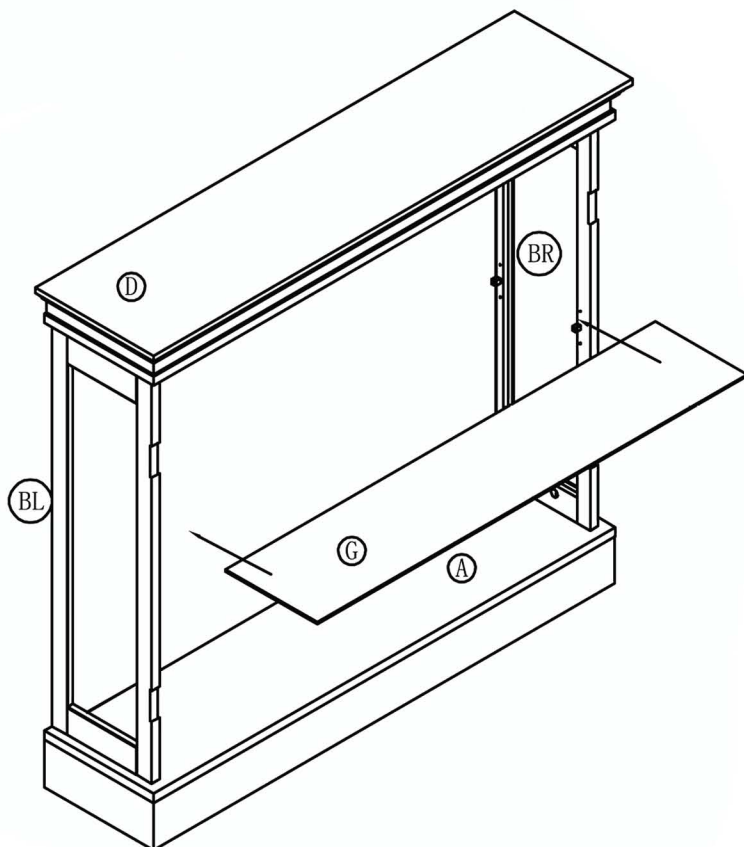
R3=18



3. a)Fasten back panel F to left panel BL,right panel BR, base A and cover board D, using 18 flat head screw R3(ST2.9X25).

b)Put shelf G on shelf support.

NOTE: the wire of light R1 should get through from the hole on back panel F.

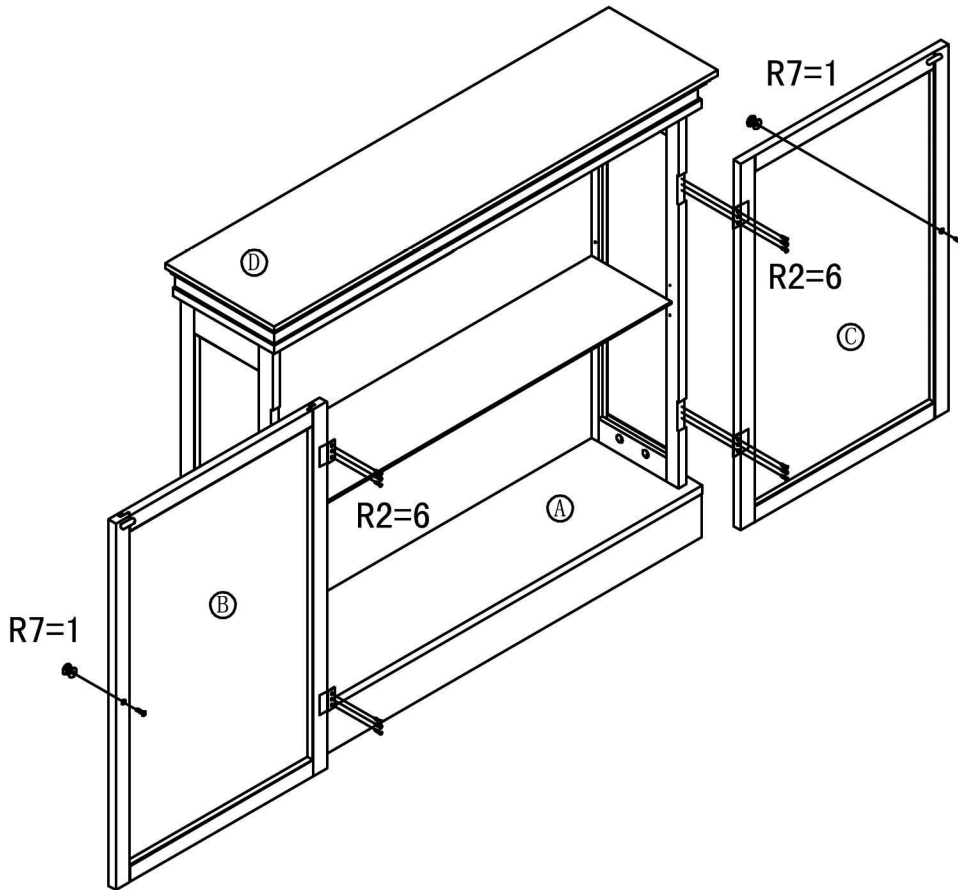




(R2)FLAT HEAD SCREW
ST2.9X12-12PCS



(R7)DOOR KNOB-2PCS



4. a)Fasten left door B to left panel BL, right door C to right panel BR using 12 flat head screw R2 (ST2.9X12).

b)Fasten door knob R7 to left and right door B&C.

Note:Pls loosen all screws and move the door slightly if you think the doors don't locate perfectly, then fasten all screws again.