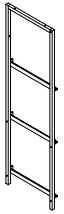
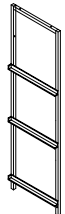
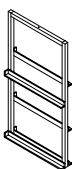
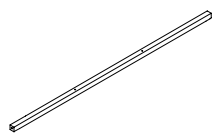
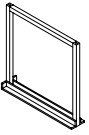
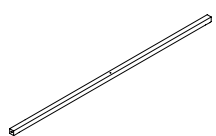
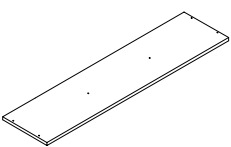
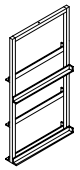
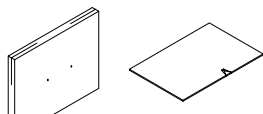
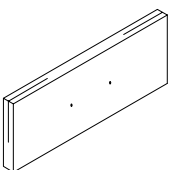
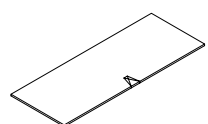
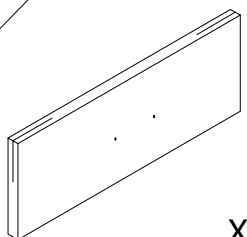
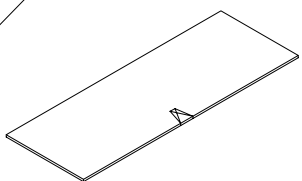

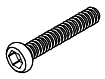

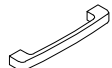





# ASSEMBLY INSTRUCTION

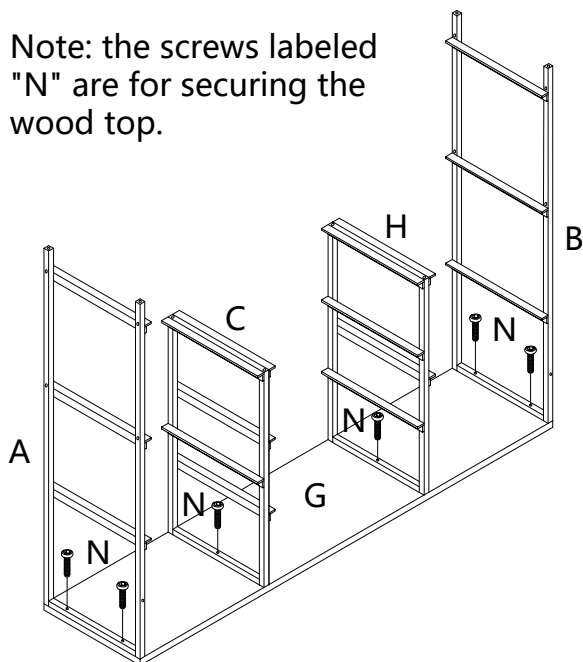
- ①. Check out our Youtube channel (YILQPER LIFE) for step-by-step installation video.
- ②. It would be best if you set aside and organize all pieces & corresponding "nuts/ bolts" first.
- ③. Please follow the instruction to assemble the item correctly.
- ④. Could be assembled by one person, but would recommend two.
- ⑤. Do not tighten the screws until all of them are in right positions.

**SAFETY INFORMATION**  
The accessory bag contains some small accessories, which should be kept away from children.

<b>A</b>  X1	<b>B</b>  X1	<b>C</b>  X1	<b>D</b>  X2	<b>E</b>  X1
<b>F</b>  X2	<b>G</b>  X1	<b>H</b>  X1	<b>I</b>  X4	<b>J</b>  X3
<b>K</b>  X3	<b>L</b>  X2	<b>M</b>  X2	<b>N</b>  M6x25mm X6	<b>O</b>  M6x28mm X16
<b>P</b>  M4x6mm X18	<b>Q</b>  X9	<b>R</b>  X4	<b>S</b>  X2	<b>T</b>  X1

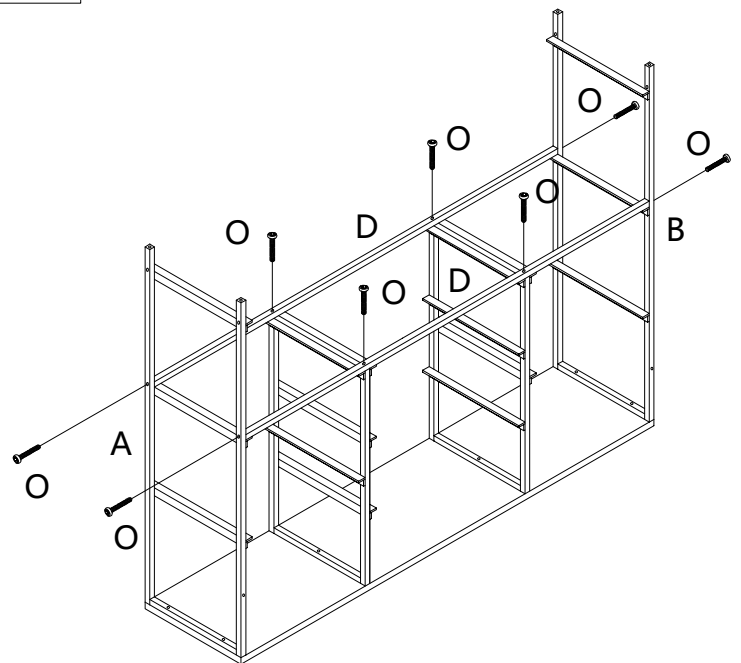
1

Note: the screws labeled "N" are for securing the wood top.



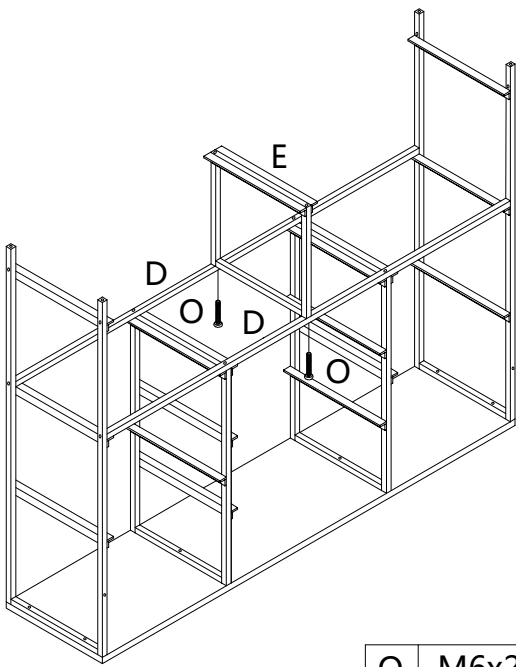
N M6x25 x6

2



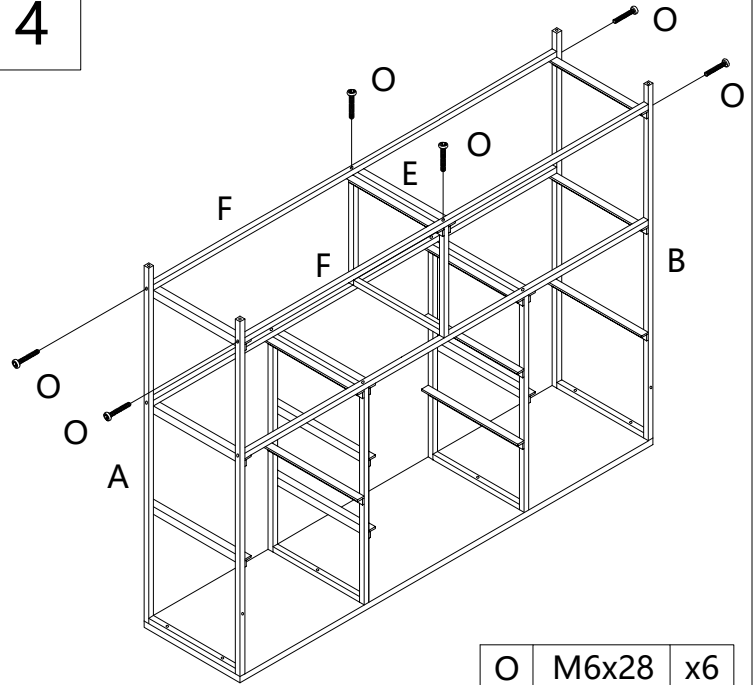
O M6x28 x8

3



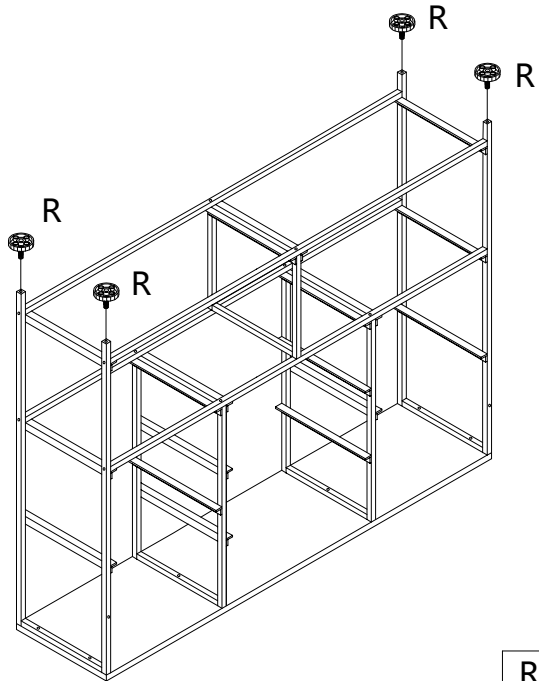
O	M6x28	x2
---	-------	----

4



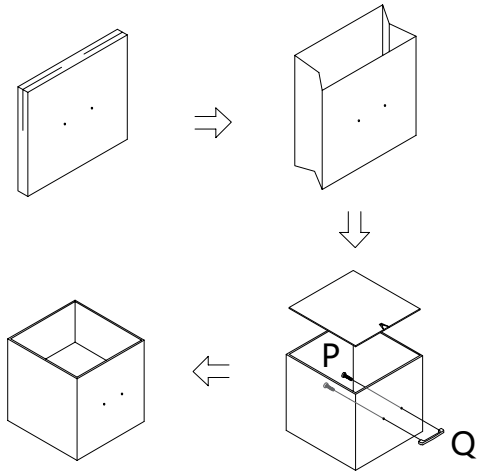
O	M6x28	x6
---	-------	----

5



R	x4
---	----

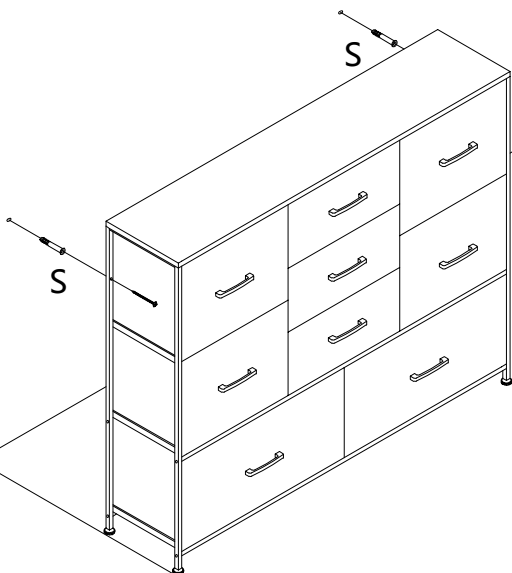
6



P	M4x6	x18
---	------	-----

Q	x9
---	----

7



S	x2
---	----