

ASSEMBLY INSTRUCTIONS

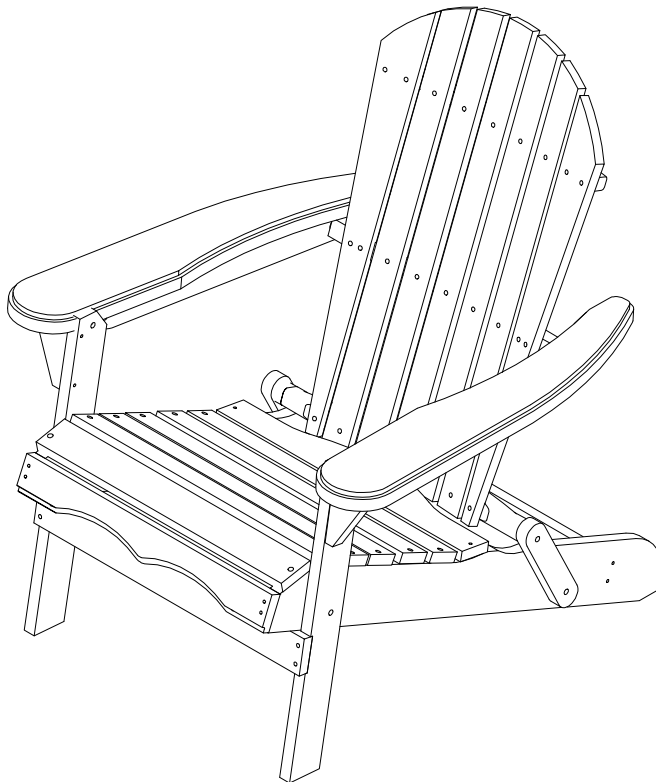
Please read this before beginning assembly and follow instructions carefully

Important Safety Instructions:

- Please read this instruction carefully prior to assembly
- Please ensure all parts and hardware are available in the package prior to assembly
- Use the parts and hardware lists to identify each component included
- Save all packaging material until the completion to avoid any accidental discarding of smaller parts or hardware
- It is recommended to install the product by two people

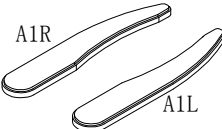
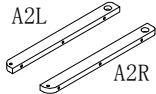
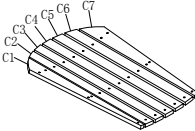
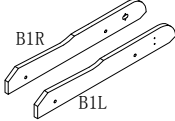
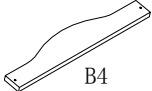
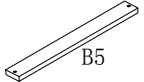

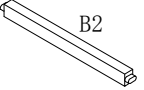



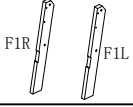

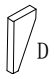

Assembly tips:

- Please align pre-drilled holes accurately during installation
- Please insert screws in the right angle (90 degrees)
- This product can be damaged if parts are not correctly assembled




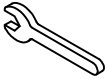


THANK YOU FOR PURCHASING

PARTS LIST

ARM REST	2PCS	
ARM REST SUPPORT	2PCS	
BACK REST PANELS	7PCS	
BASE LEG	2PCS	
BASE BOTTOM SUPPORT	1PC	
SEAT SLATS	5PCS	
FRONT SEAT SLAT	1PC	
BASE LEGS CROSS BEAM	1PC	
TOP BACK REST CROSS BEAM	1PC	
MIDDLE BACK REST CROSS BEAM	1PC	
BOTTOM BACK REST CROSS BEAM	1PC	
FRONT LEG	2PCS	
FRONT LEG CROSS BEAM	1PC	
ARM REST CONNECTION	2PCS	
FOLDING BRACKET	2PCS	

HARDWARE LIST

Ⓐ		BOLT (3.5*40 mm)	59PCS+3
Ⓑ		BOLT (8*55 mm)	4PCS+1
Ⓒ		BOLT (8*55 mm)	6PCS+1
Ⓔ		WRENCH	1PC

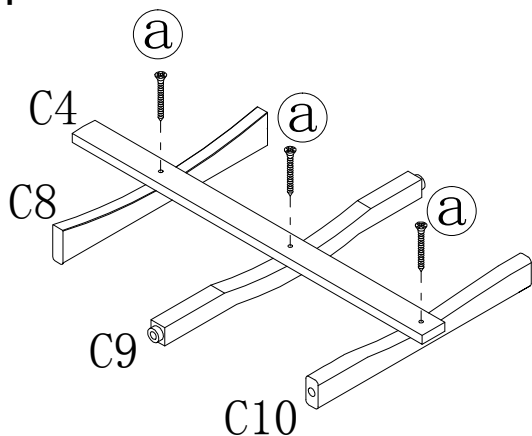
TOOLS REQUIRED (not included):

- > Driller with Cross Head Bit
or Philips screwdriver
- > Adjustable Wrench

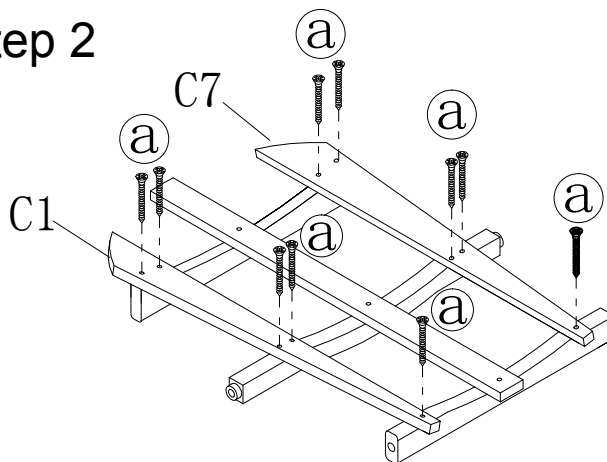
ASSEMBLY INSTRUCTION STEPS

Please make sure that there is no space between the top parts and the bottom parts before turning the screws.

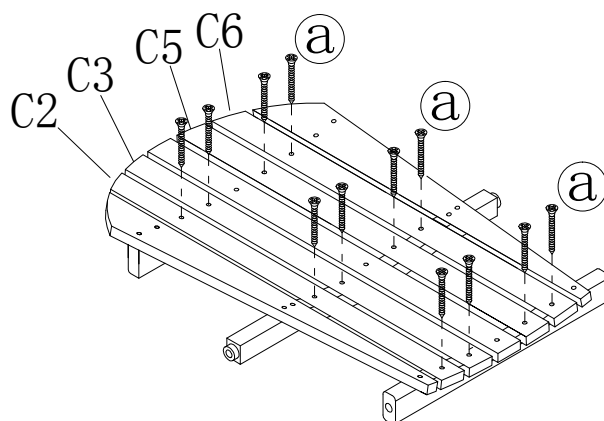
Step 1



Step 2

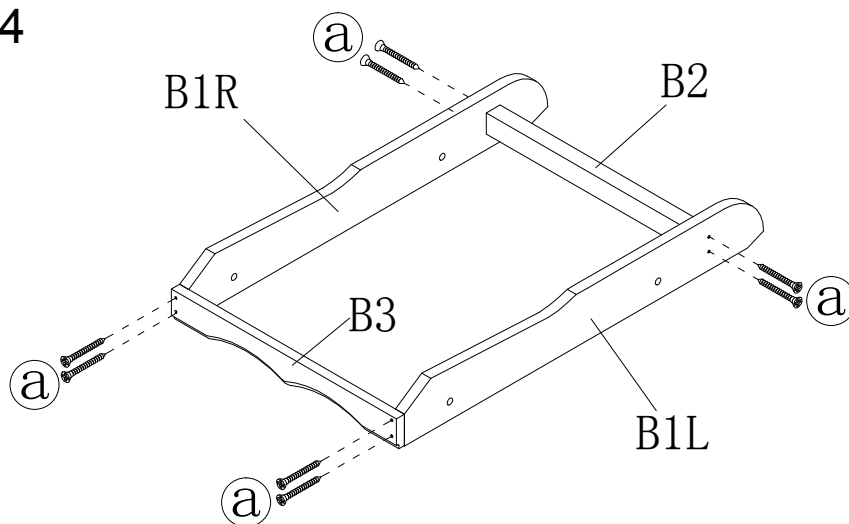


Step 3

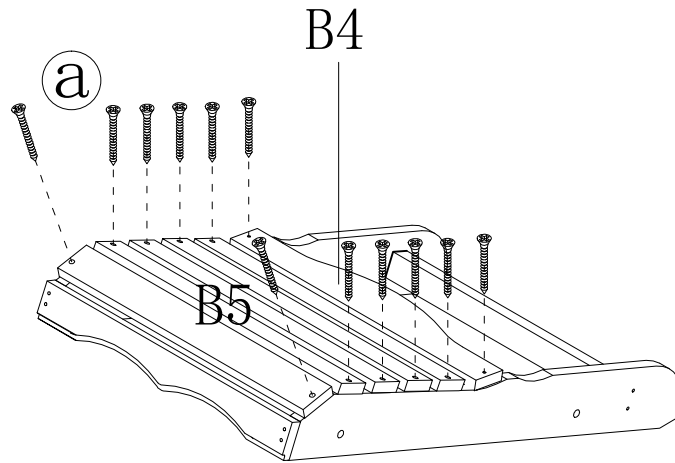


Do not tighten bolts until all parts are connected and aligned.

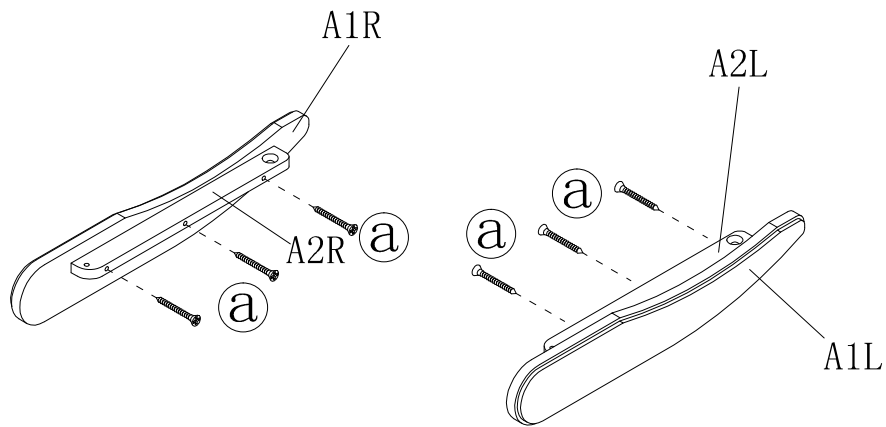
Step 4



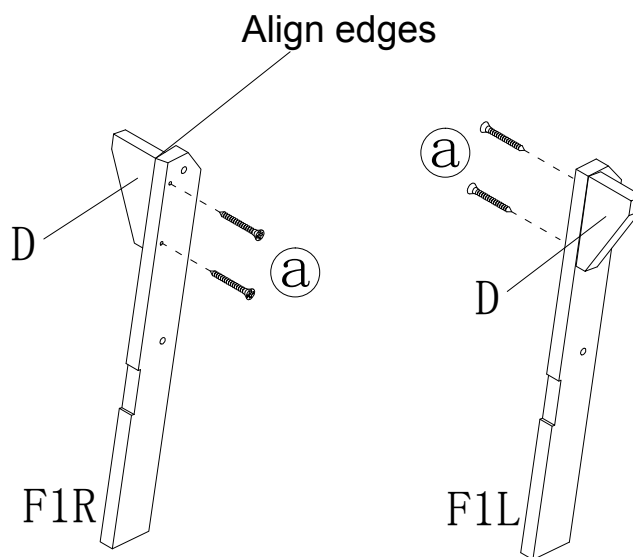
Step 5



Step 6

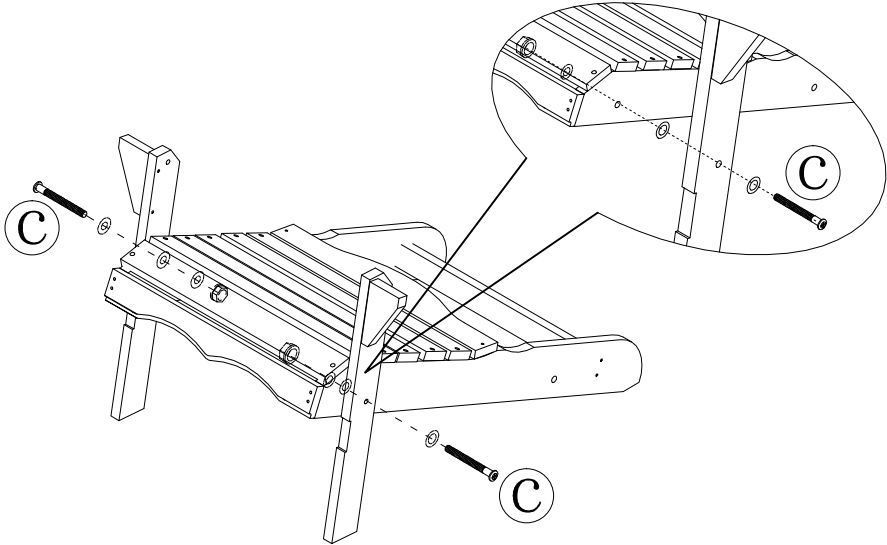


Step 7

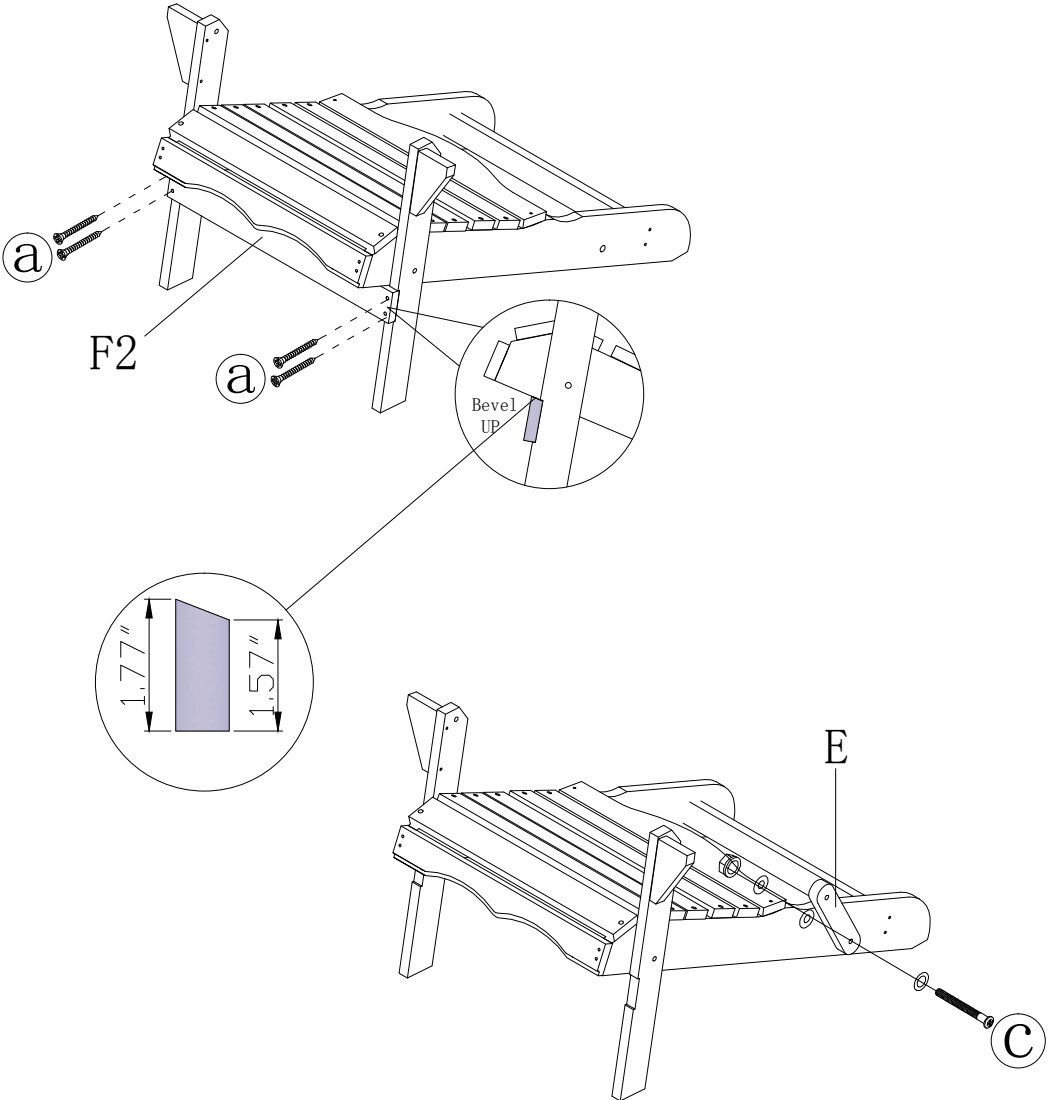


The top plane of part D should be aligned with the top edge of F1R and F1L to avoid the wood damage caused by misaligned position when turning the screws.

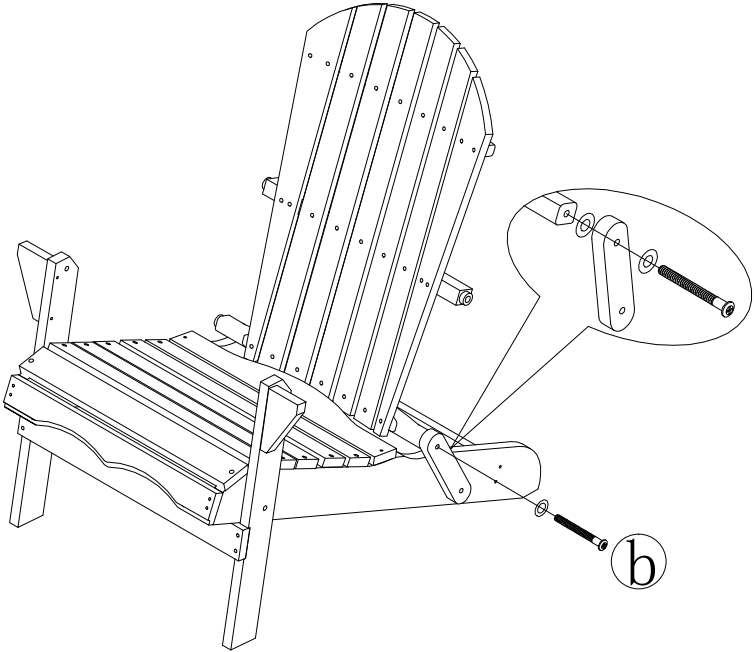
Step8



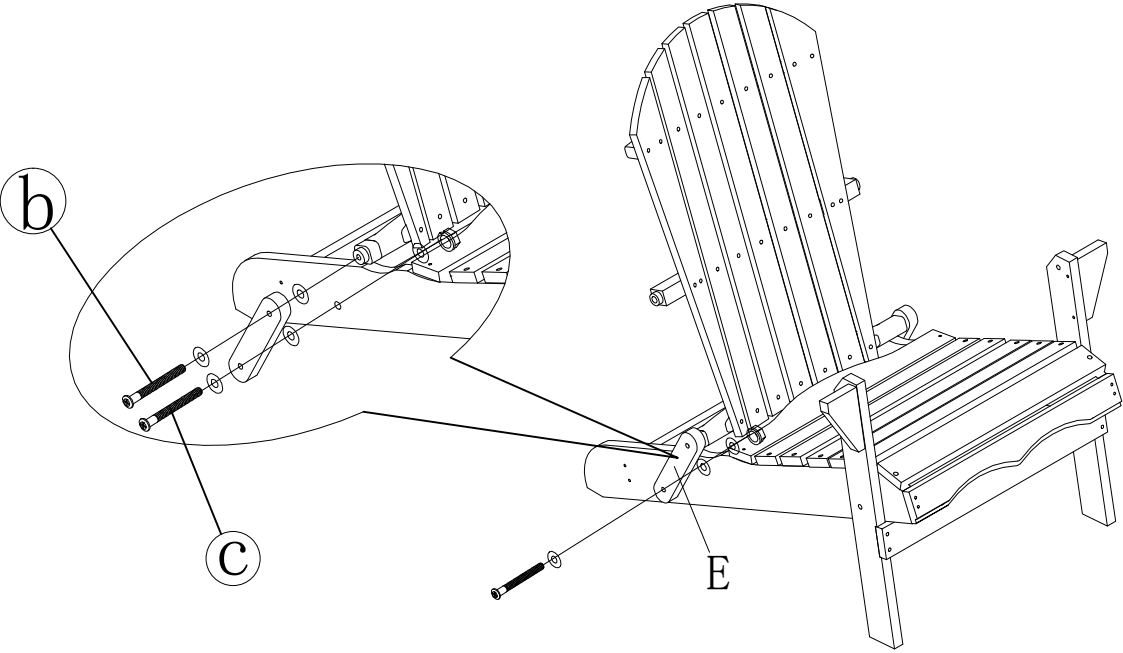
Step9



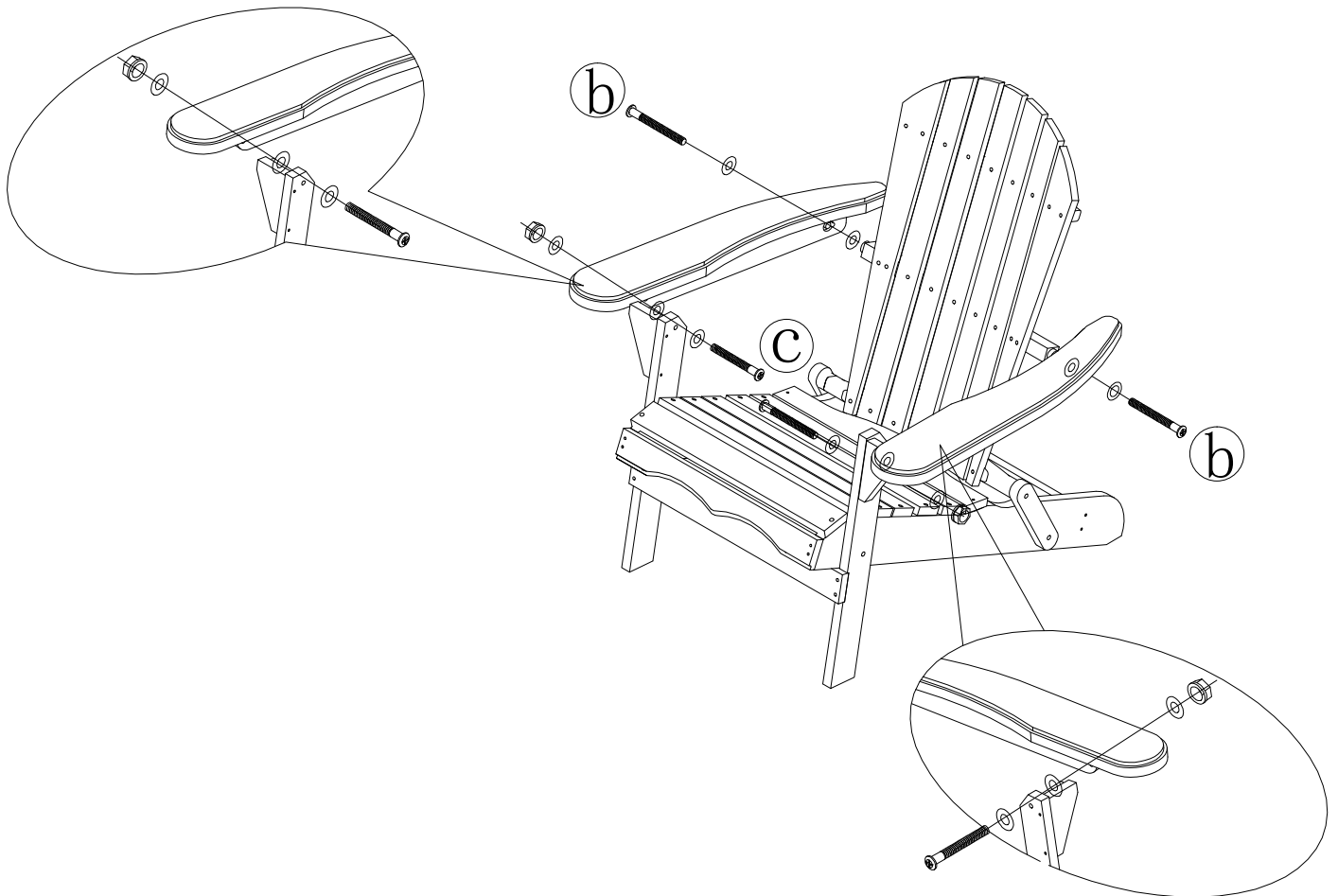
Step10



Step11



Step 12



Final Assembly

