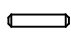

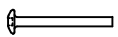
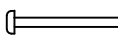



- A x2
- B x2
- C x1

1*		8
2*		4
3*	 6x63	4
4*	 6x70	4
5*		1