

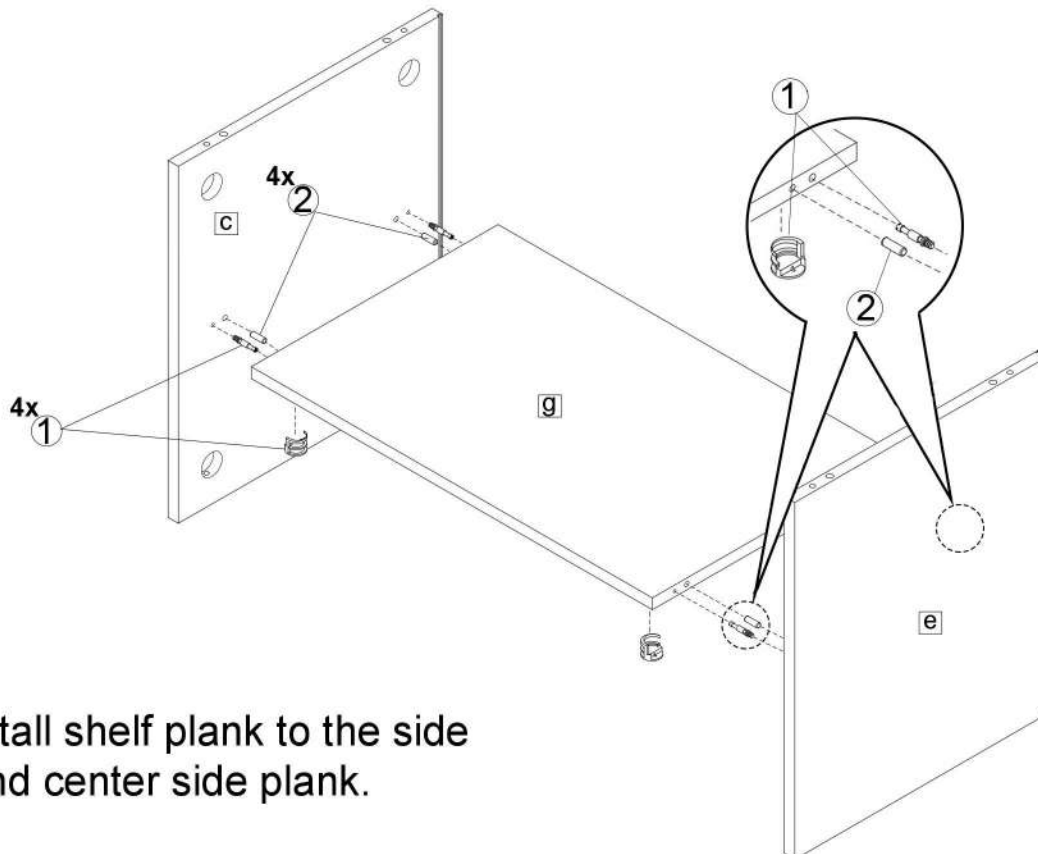
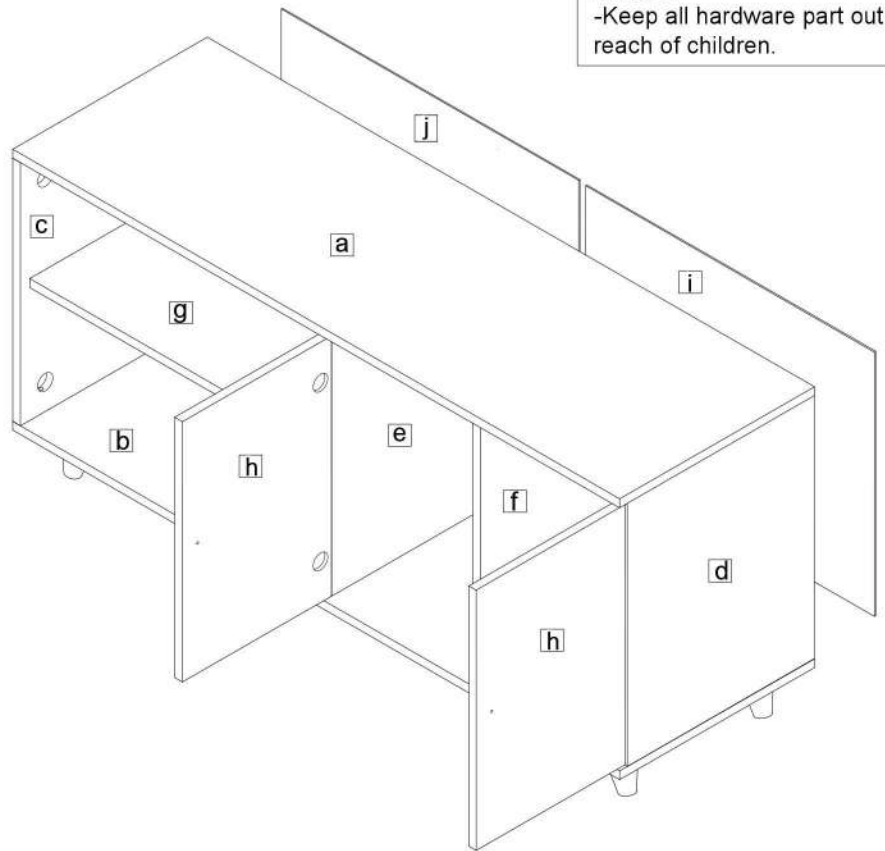
TV 1828

ASSEMBLY INSTRUCTIONS

Important note : -
 -Place all wooden part on a clean and smooth surface to avoid the part from being scratch.
 -Keep all hardware part out reach of children.

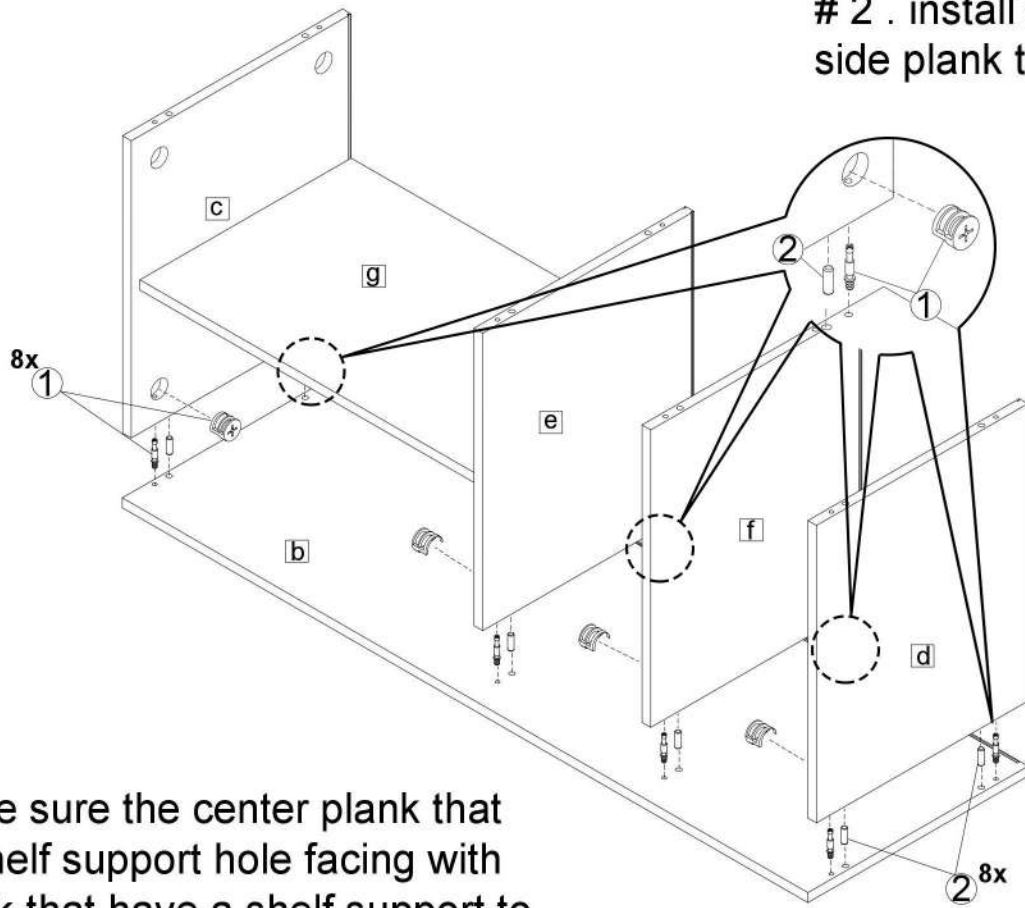
No	Hardware List	Qty
1	15mm Titus Mini fix 	20
2	Wood dowel 6 x 30mm 	20
3	Hingges 	4
4	M4 x 16mm Screw 	20
5	M4 x 20mm Screw 	16
6	Leg 	4
7	Center leg 	1
8	Power Nail 	24
9	Handle 	2
10	Handle Screw 	2

No	Part	Quantity
a	top plank	1
b	bottom plank	1
c	side plank (L)	1
d	side plank (R)	1
e	center plank (i)	1
f	center plank (ii)	1
g	shelf	1
h	door	2
i	back (i)	1
j	back (ii)	1

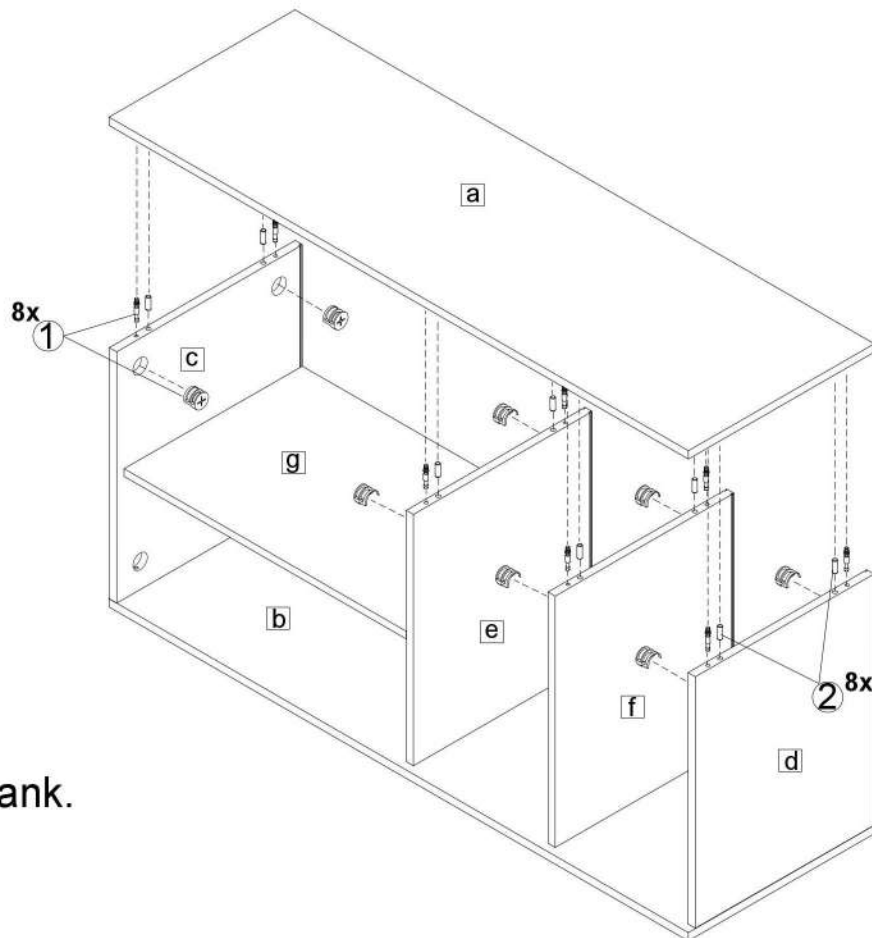


1 . install shelf plank to the side plank and center side plank.

2 . install s/p and center side plank to the bottom.

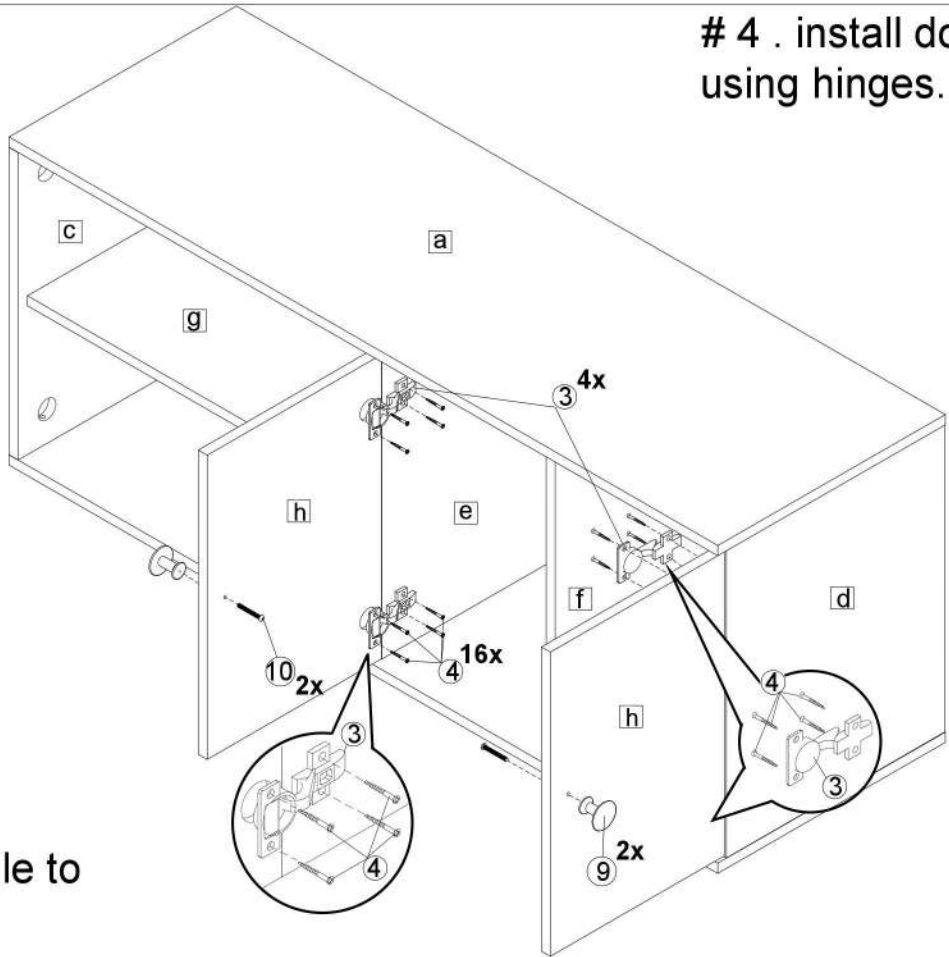


p/s : make sure the center plank that have a shelf support hole facing with side plank that have a shelf support to.



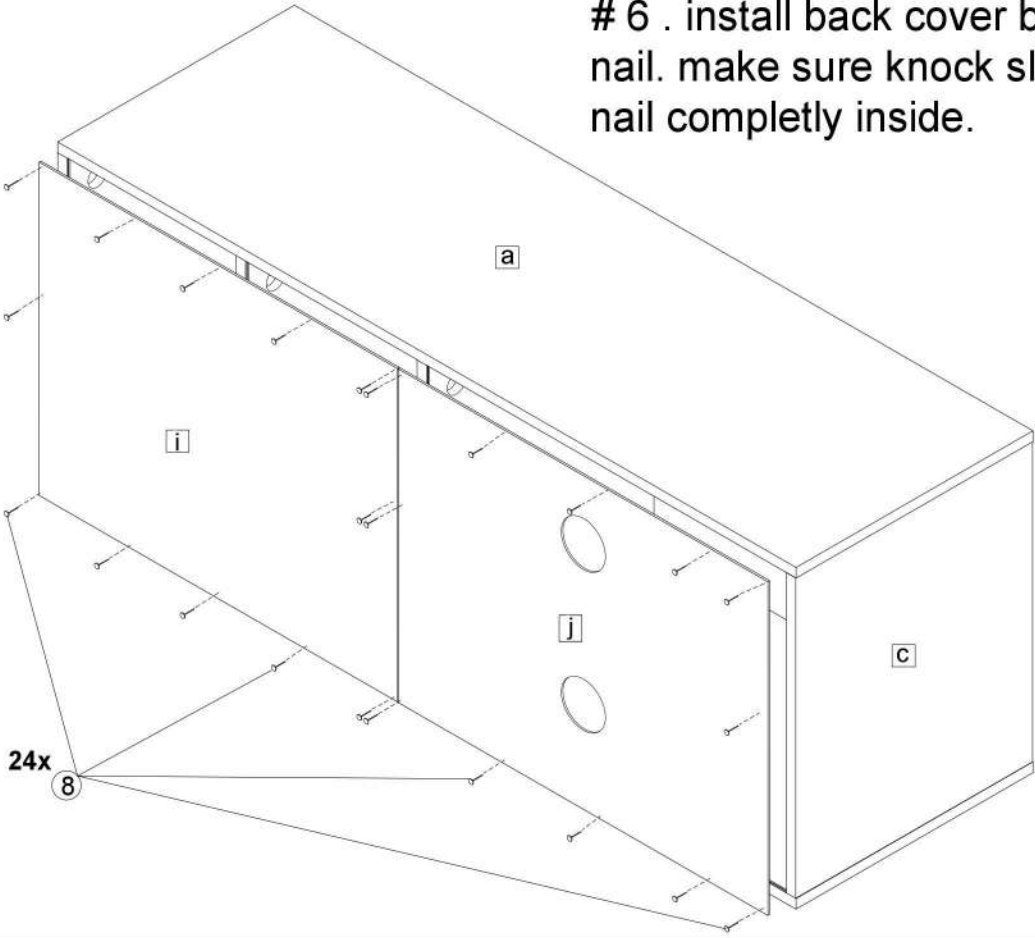
3 . install top plank.

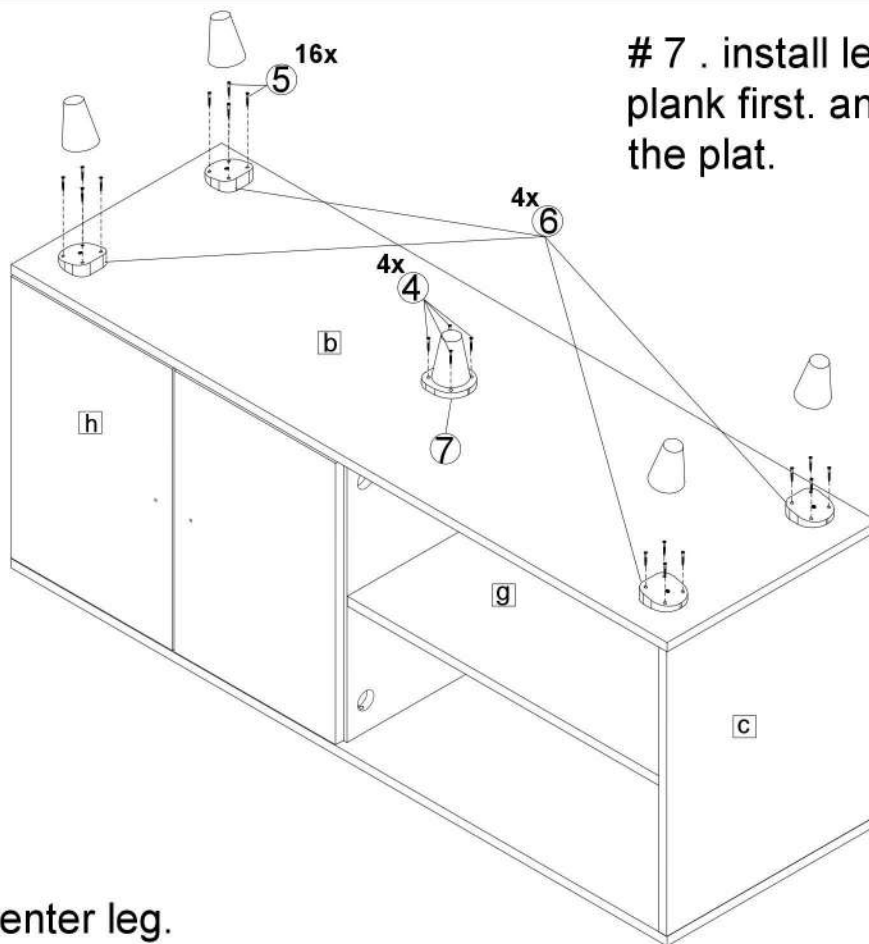
4 . install door plank by using hinges.



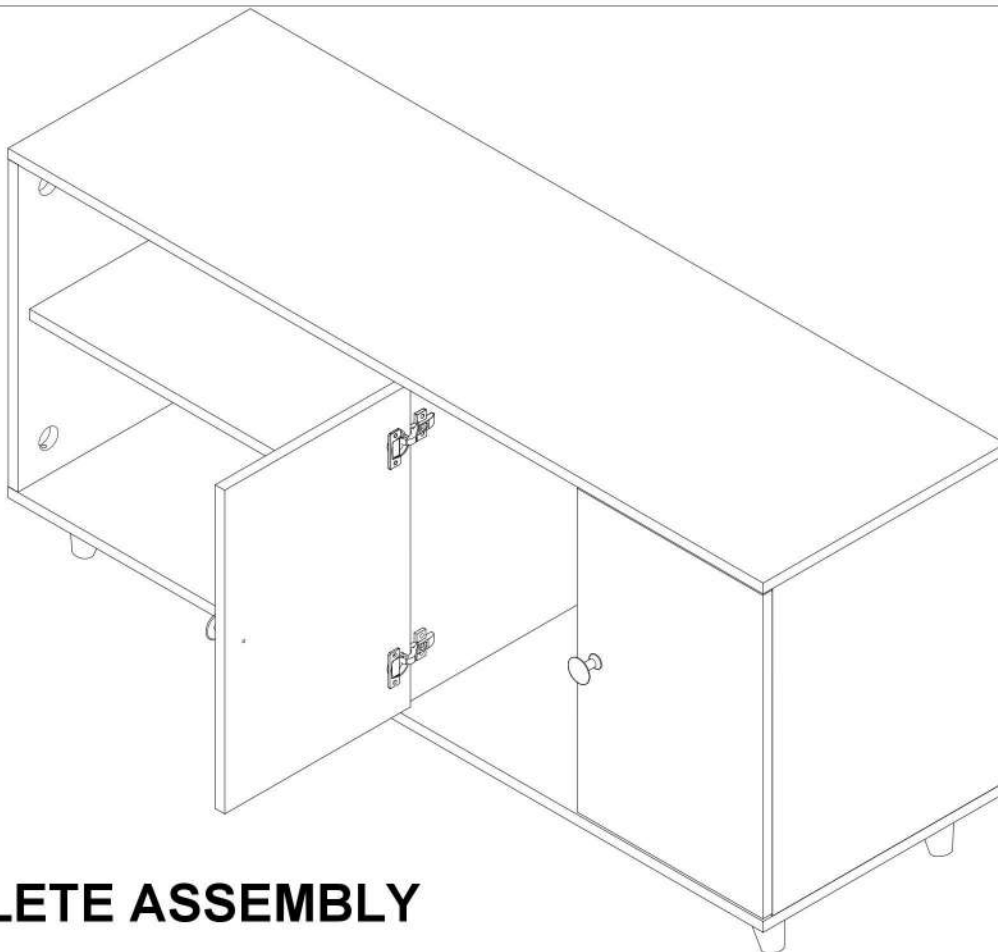
5 . apply handle to the door plank.

6 . install back cover by using the nail. make sure knock slowly until the nail completely inside.





8 . install center leg.



COMPLETE ASSEMBLY