

Hammocks & Swing

Contents

Before Use

General Guidelines.....	03
Warning.....	03
Material Properties.....	03

Installation Guide

Assembly Instructions.....	03
Parts List	04
Accessories List	04
Exploded Views	05
Installation Steps	06
Swing Hanging Instruction	08

Operation

Use & Maintenance.....	12
------------------------	----

General Guidelines

- Please read the following instructions carefully and use the product accordingly.
- Please keep this manual and hand it over when you transfer the product.
- It must be assembled and used according to the instructions. The seller does not accept any responsibility for damage or injury resulting from improper assembly or use.
- This summary may not include every detail of all variations and considered steps.
- Please contact us when further information and helps are needed.

Warning

- Children are not allowed to assemble the product.
- During assembly, keep any small part out of reach of children as they may be fatal if swallowed or inhaled.
- Children are not allowed to stand, climb or play on the product to avoid serious bodily injury by the toppling.
- Keep plastic packing bags out of reach of children to avoid any potential danger, such as suffocation.
- Avoid sharp objects and corrosive chemicals to prevent damage to the product or bodily injury.

Assembly Instructions

· Read these instructions carefully and keep for future reference. Refer to parts inventory for guidance, and ensure you have all pieces before starting.

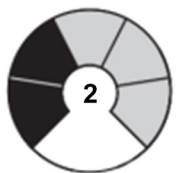
- **When assembling place all parts on a soft, clean, and flat surface such as a carpet to prevent scratches.**
- **During assembly, align all screws with the corresponding pre-drilled holes first and then tighten them one by one.**



TIME



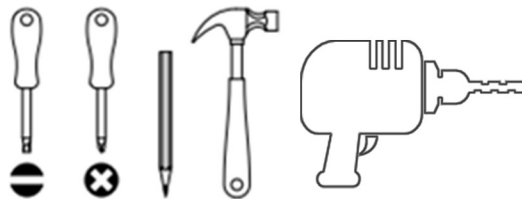
2 People



DIFFICULTY

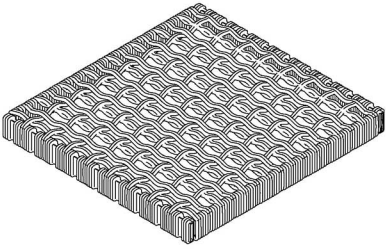
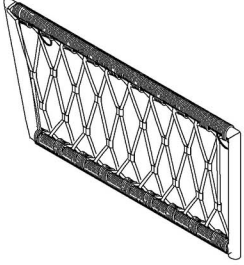
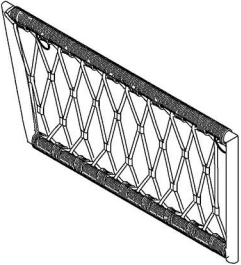
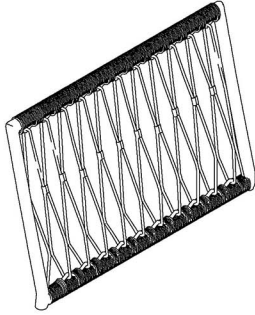
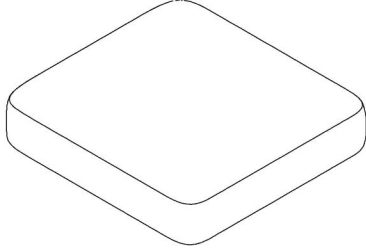
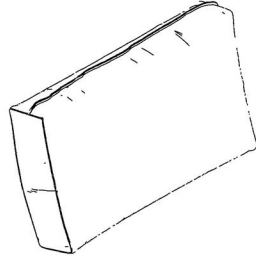





Do not discard any contents until after assembly is complete to avoid accidentally discarding small parts or hardware.

TOOLS YOU MAY NEED



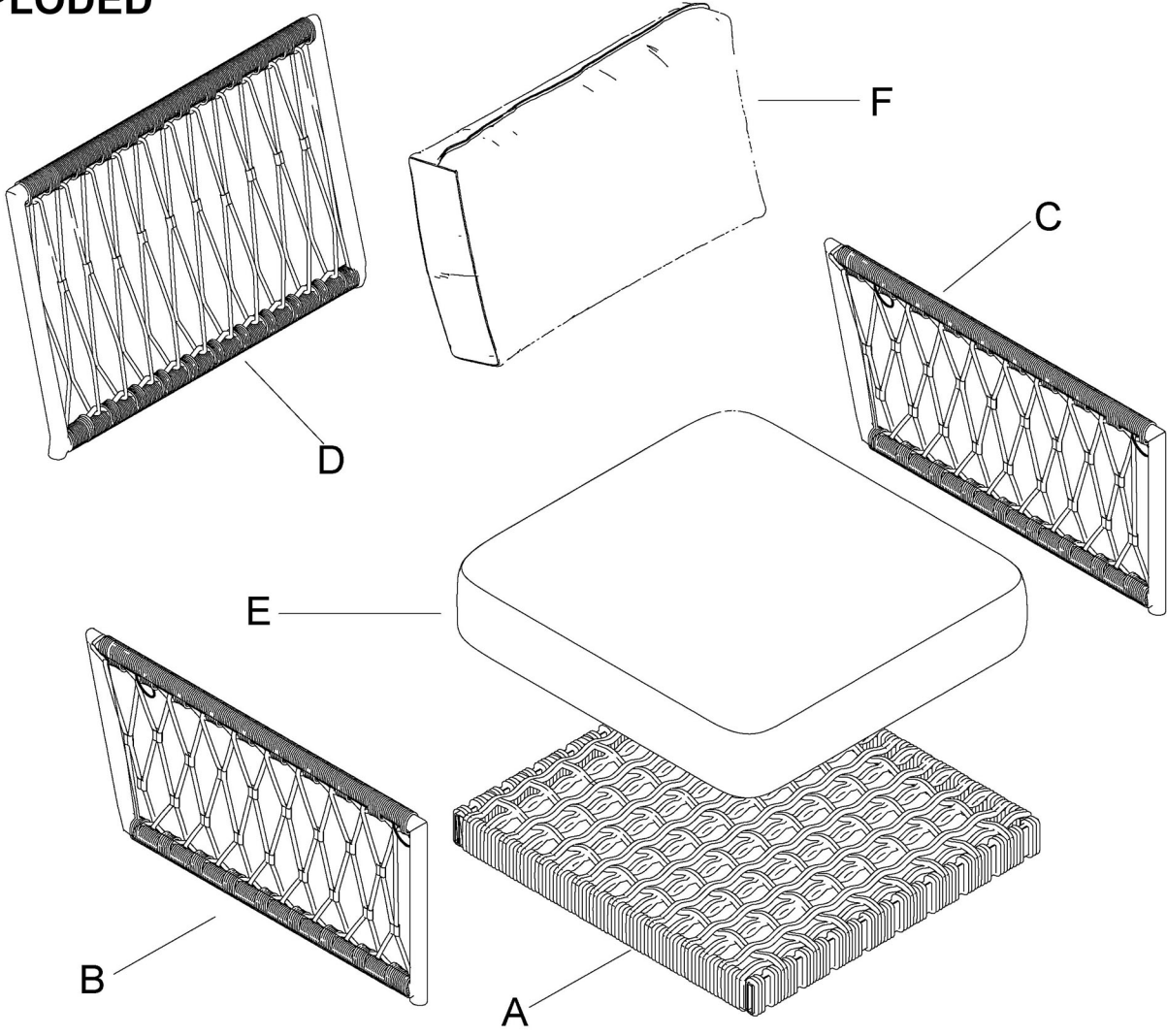
Note: It is recommended that installation of the product be done by a qualified licensed furniture assembler.

Parts List & Accessories List

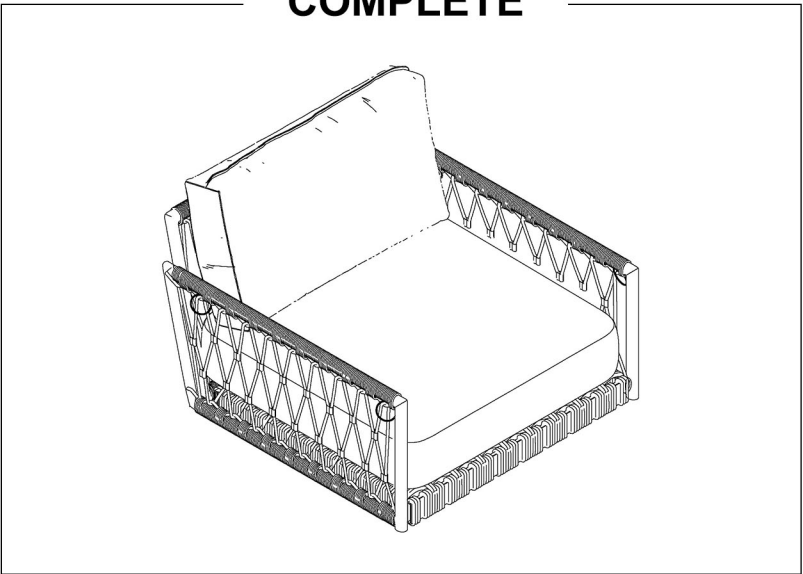
<p>Ax1</p> 	<p>Bx1</p> 
<p>Cx1</p> 	<p>Dx1</p> 
<p>Ex1</p> 	<p>Fx1</p> 
<p>Gx7</p>  <p>M6*55mm</p>	<p>Hx1</p> 
<p>Ix2</p> 	<p>Mx4</p>  <p>M6*35mm</p>
<p>Nx6</p> 	

Exploded Views

EXPLODED



COMPLETE



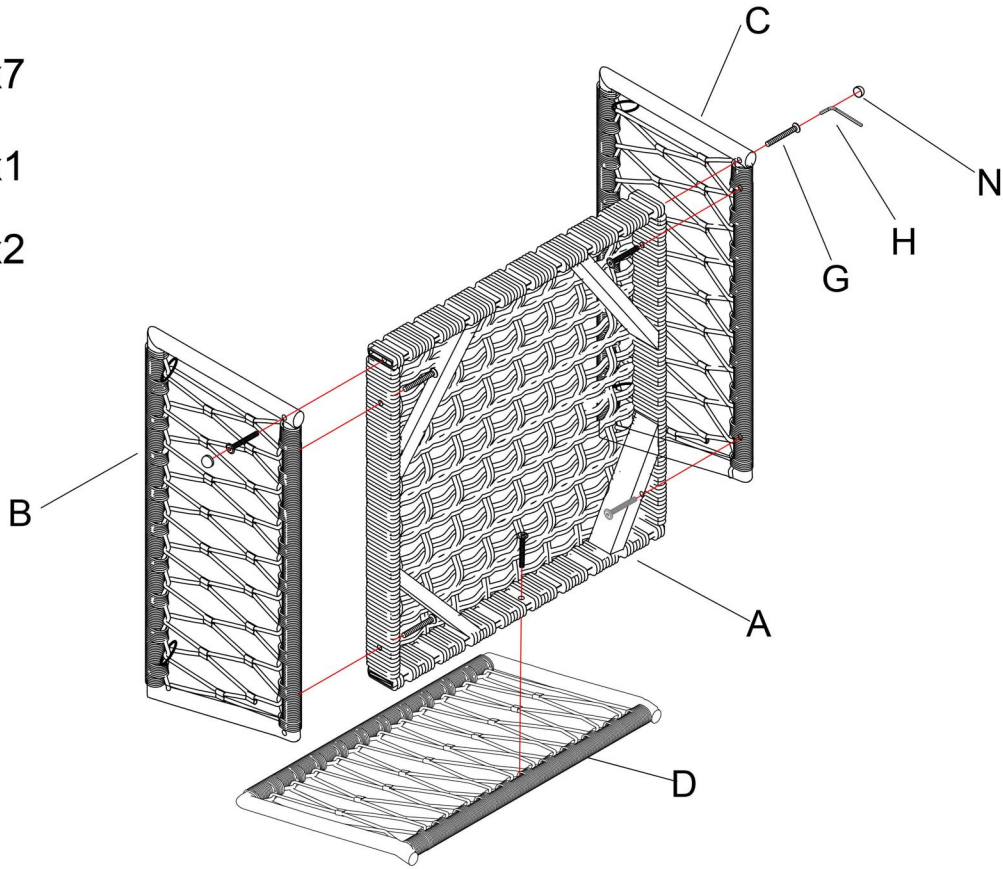
Installation Steps

Step 1

G  x7

H  x1

N  x2

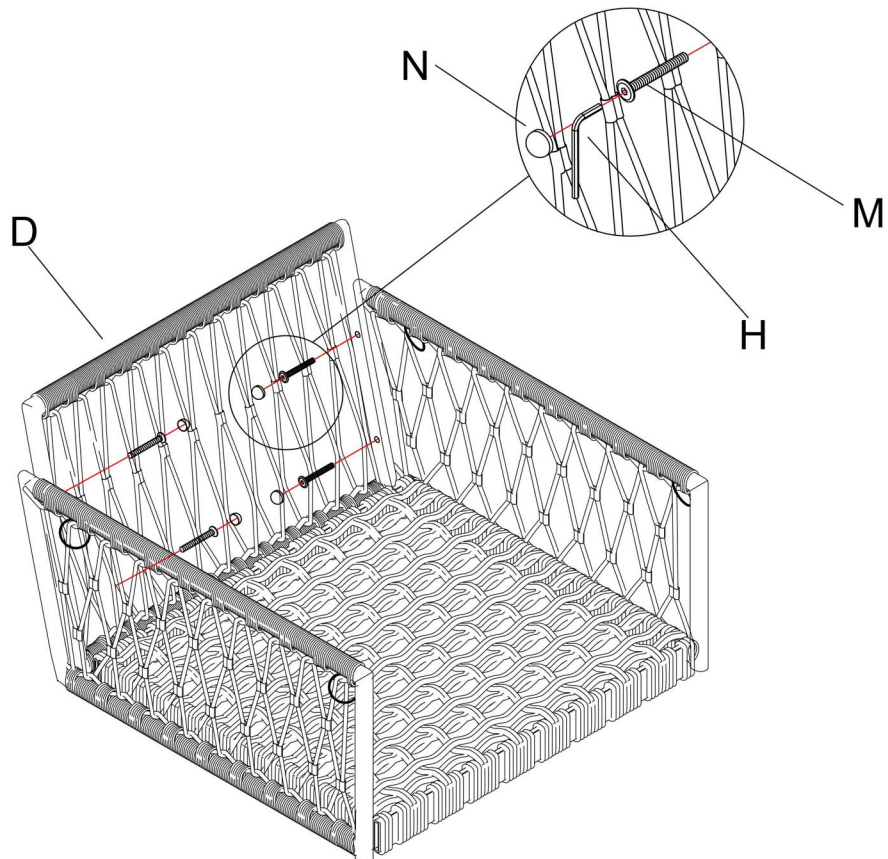


Step 2

M  x4

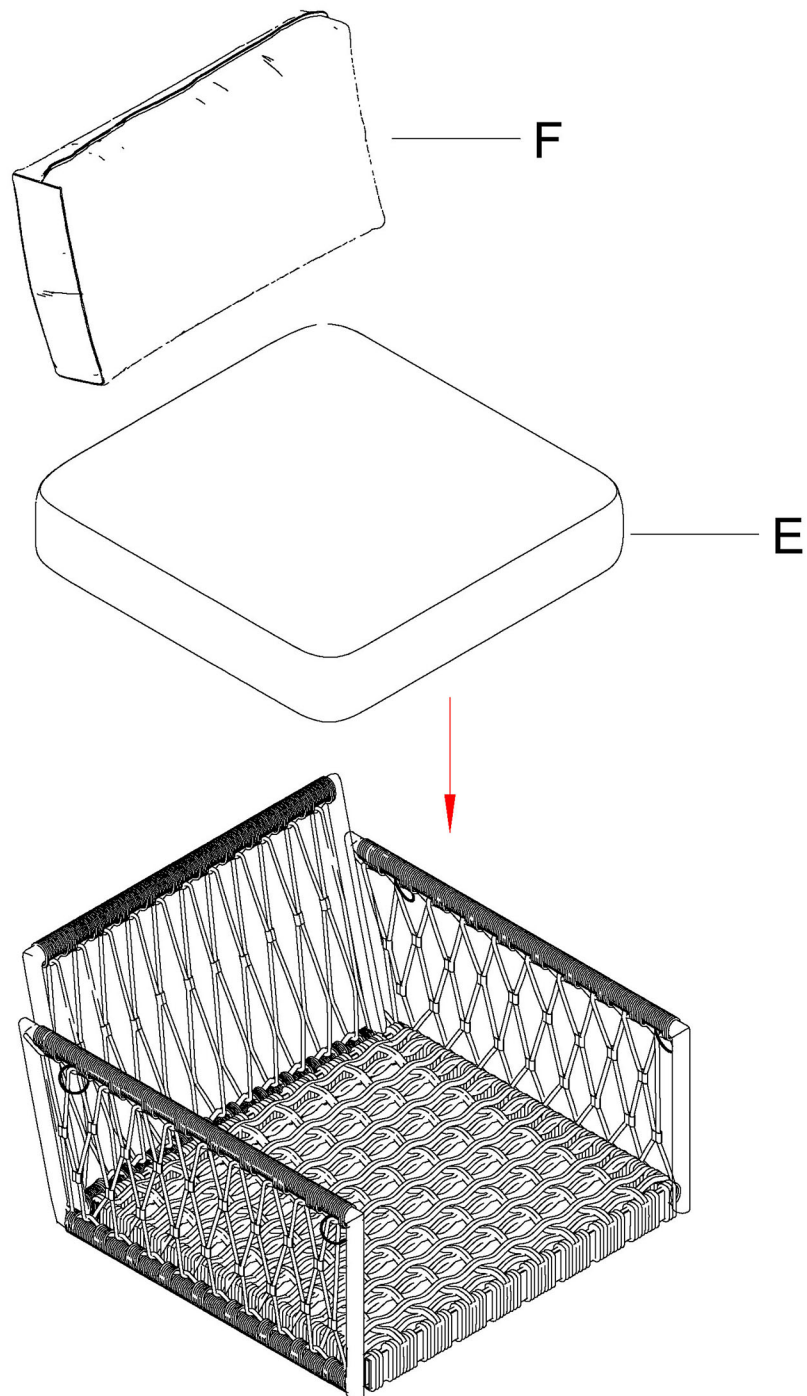
H  x1

N  x4



Installation Steps

Step 3



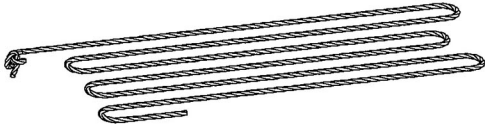

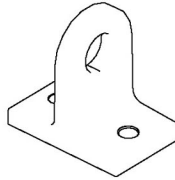
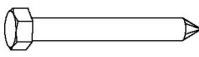
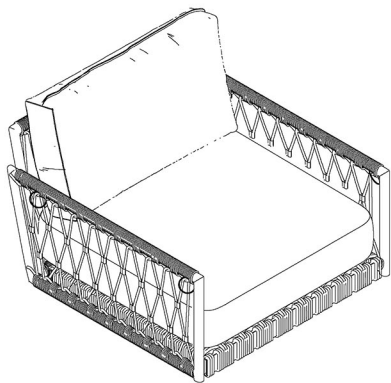
Swing Hanging Instruction

READ BEFORE INSTALLING:

Homary strongly recommends the swing be installed by a professional.

The following instructions document Homary's recommended installation configuration. Any other installation configuration is assumed at the users own risk, and may void the warranty.

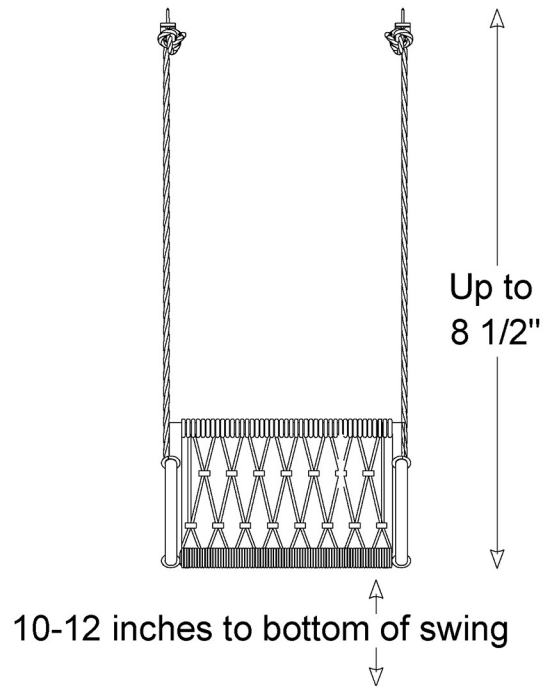
PARTS

<p>Ix2</p>  <p>Hanging Ropes</p>	<p>Jx8</p>  <p>Washer(not included)</p>
<p>Kx4</p>  <p>Hanging Brackets(not included)</p>	<p>Lx8</p>  <p>2.5" HexLag Bolt(not included)</p>
<p>x1</p>  <p>Swing(Fully Assembled)</p>	

Installation Steps

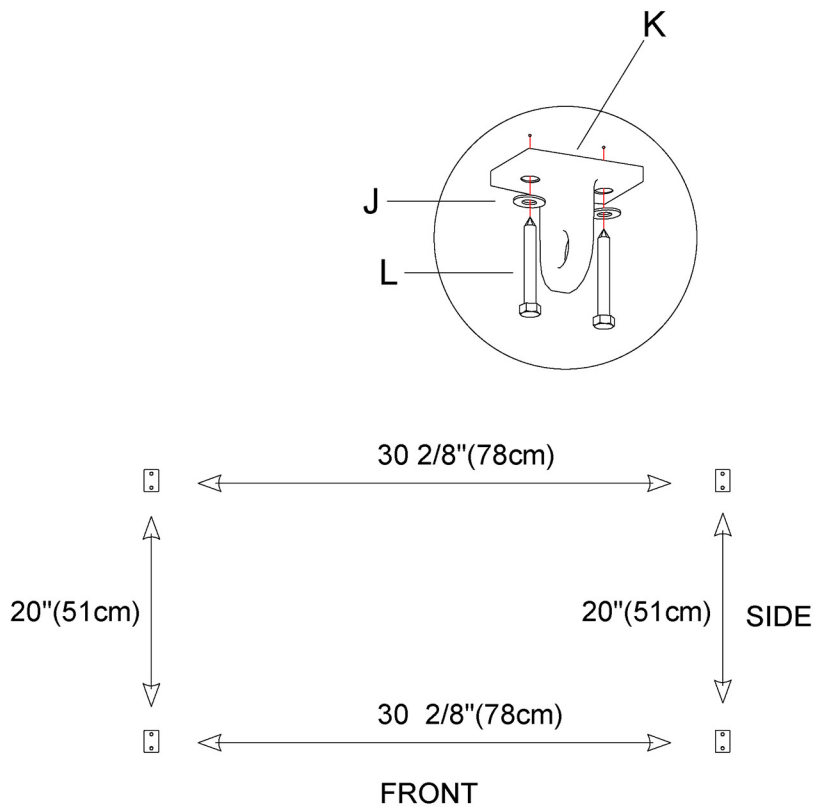
Step 1

Proper Hanging Dimensions



NOTE: Seat height will lower 1-2 inches as rope and knots stabilize.

Step 2

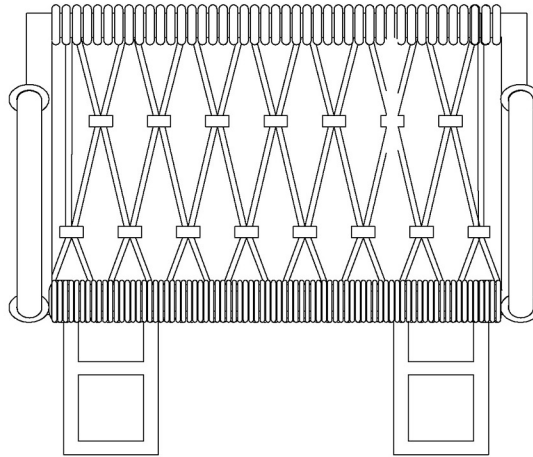


NOTE: Dimensions of the hanging brackets are to the center of the brackets.

Installation Steps

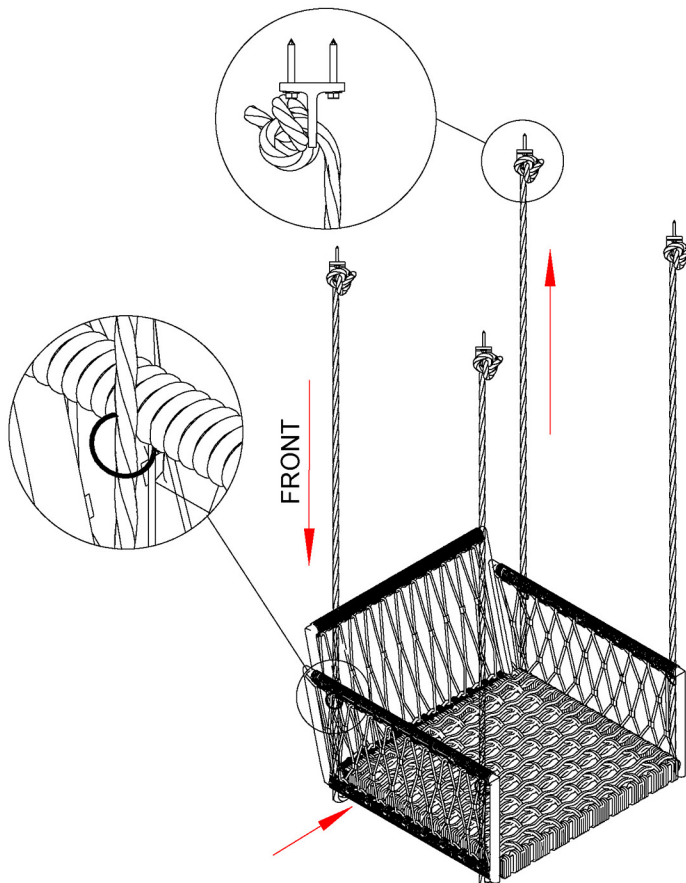
Step 3

Prop up swing under hanging brackets, using cinder blocks or similar supports.



Ensure swing is level throughout the installation process. Do not put the seat and back cushions on the frame until installation is complete.

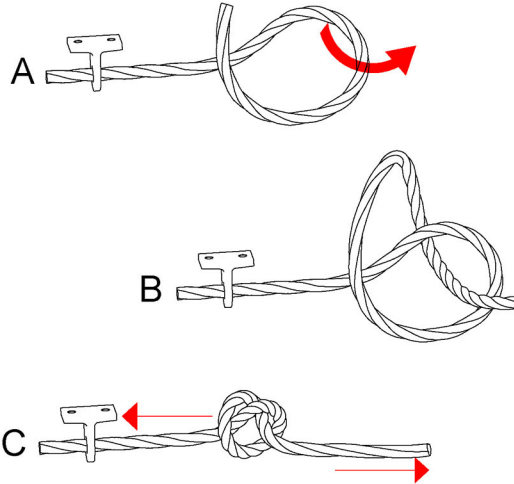
Step 4



Installation Steps

Step 5

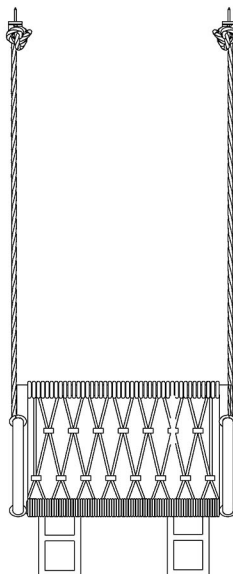
Route unknotted rope ends through back hanging brackets and tie knots as shown. Ensure swing is still level before tying knots.



CAUTION: Do not put any weight on swing until after knots are tied.

Step 6

Carefully cut off excess rope using a sharp knife or blade. Leave 2"-3" of rope past the knot, to prevent untying (match length of pre-tied knot). It is recommended to heat seal the cut ends to prevent fraying.



Remove supports from under daybed swing and place cushions in the frame.

Use & Maintenance

1. Clean your outdoor furniture regularly to remove dirt, dust, and debris. Use a mild detergent and warm water to wash the furniture, and rinse thoroughly. Avoid using abrasive cleaners or materials that may damage the furniture's surface;
2. Teak furniture naturally weathers to a silver or gray patina over time. If you want to prevent your teak furniture from aging to a gray color, use a teak sealer/protector on an annual or bi-annual basis. Ensure that the furniture is clean and dry before applying the sealer.
3. Screws may become loose during long-term use. If necessary, re-tighten them to ensure stability and security.
4. A moist environment creates ideal conditions for mold and mildew growth. If possible, keep cushions or pillows under an umbrella, awning, or pergola. If possible, it's a good idea to store your furniture at the end of the season. If you're unable to store your furniture, make sure you buy covers that are designed to stand up to the rigors of the elements, which is especially vital if you live in a geographic location that receives harsh winters. During rainy days, bring all your cushions inside, they aren't built to weather storms. In case the cushion gets wet, make sure you let it fully dry before using it again.
5. Fluff vacuum-sealed cushions & pillows
Take the pillow out of its vacuum-sealed packaging carefully. Give the cushion/pillow a good shake to distribute the filling evenly. You can push in and out on all four sides of the pillow and massage the pillow to loosen up the filling and break up clumps. You can also put the pillow outside, the sunlight and fresh air can help fluff up the fillings.