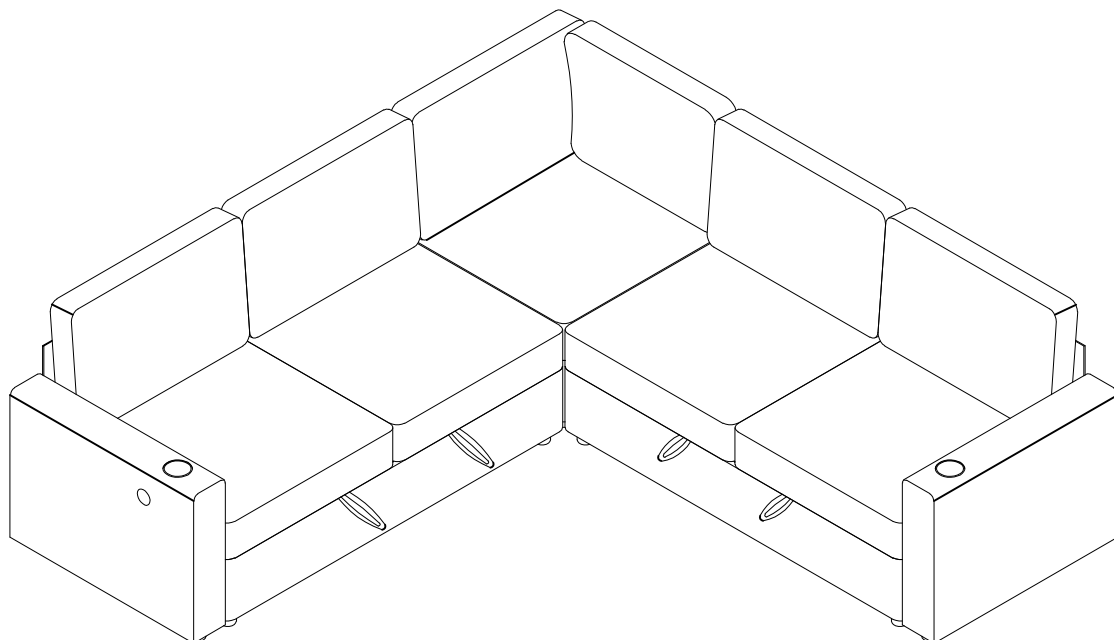


ASSEMBLY INSTRUCTION

Friendly Reminder:

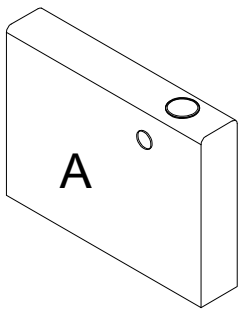
- 1.This sofa is packed in 4 boxes. Please assemble it After all boxes are received.
- 2.As the cushions are all vacuum compressed, there will be some wrinkles. Please give your
- 3.cushions up to 72 hours to reach its original size and the wrinkles will basically disappear.
- 4.Please do not open the compressed packages until your sofa frame is completely assembled.



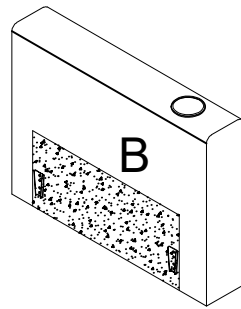
Return & Warranty policy:

- We strive to offer the highest quality products, and we also try our best to satisfy each and every customer that orders from us with replacement parts or service as needed.
- If the item is damaged or defective, please take photos as evidence for replacements and refunds.
- Please do not return to store; contact the seller if you have any troubles with this product.

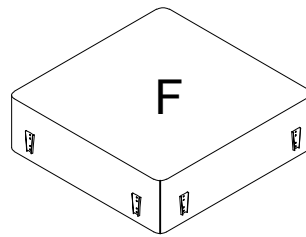
All parts and hardwares



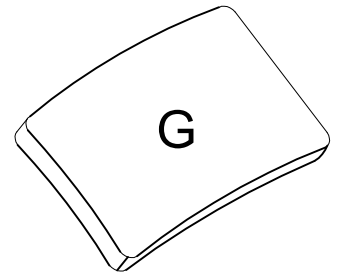
Left Armrest *1



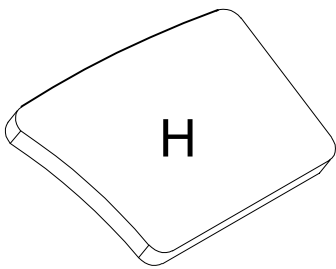
Right Armrest *1



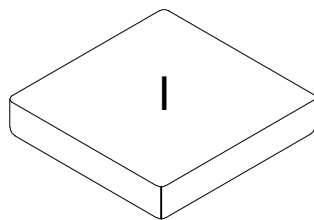
Corner Base Frame *1



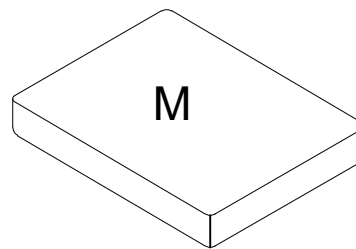
Back Cushion *5



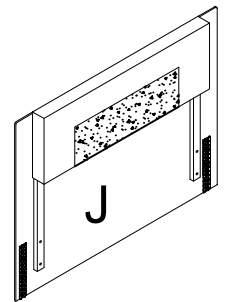
Special-Shaped Back Cushion *1



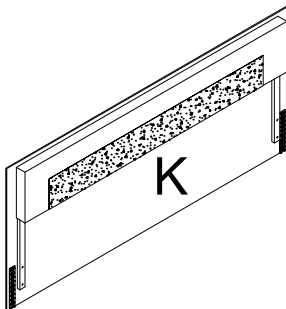
Corner Seat Cushion *1



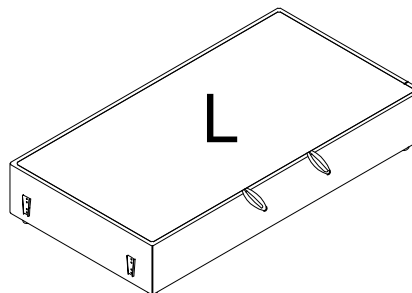
Rectangular Seat Cushion*4



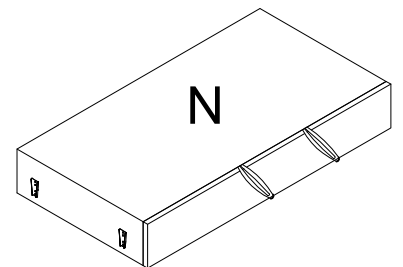
Corner Back Panel*2



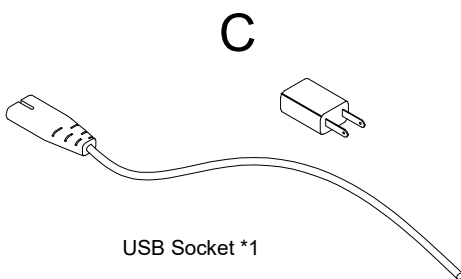
2-Seat Back Panel *2



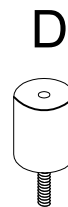
2-Seat Storage Base Frame *1



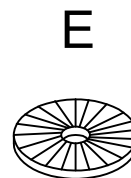
2-Seat Sliding Bed Base Frame*1



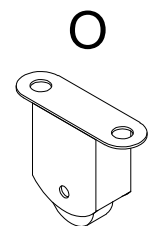
USB Socket *1



Sofa Leg
φ50*H60MM*16



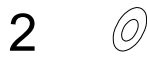
Non-Slip Gasket *16



Caster *4



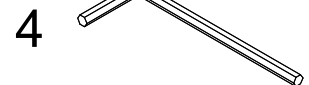
Bolt M8*50MM *16



Washer M8*22MM*16



Screw M6*20MM *8

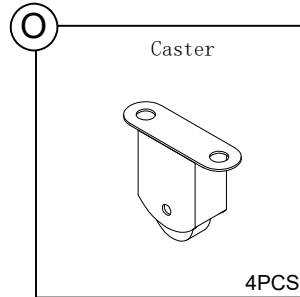
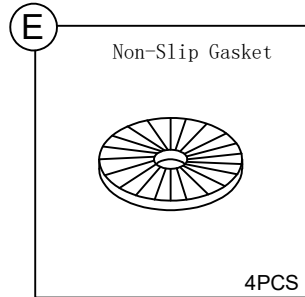
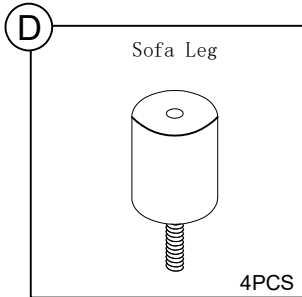
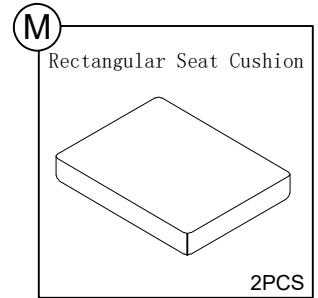
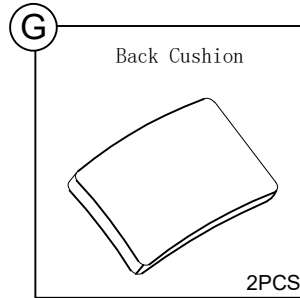
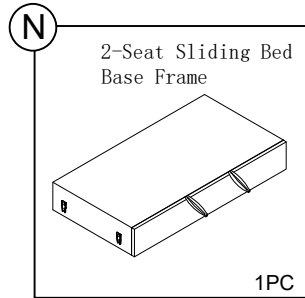
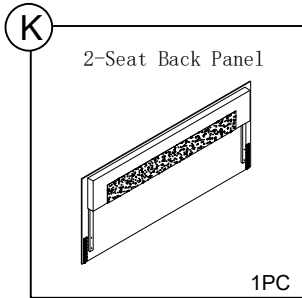


Hexagon Socket Wrench *3

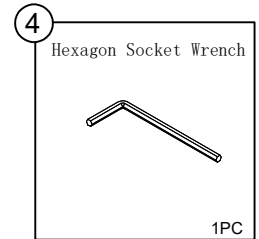
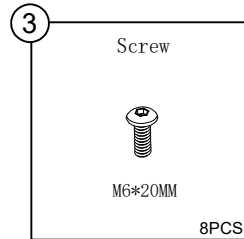
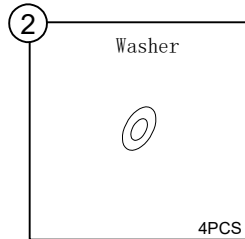
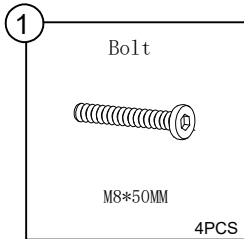
NPTE:Take out of all parts from 4 boxes, make sure all parts you have received before assembled.

COMPONENTS

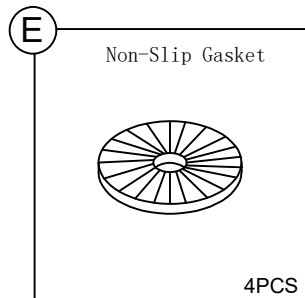
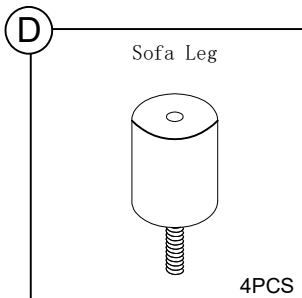
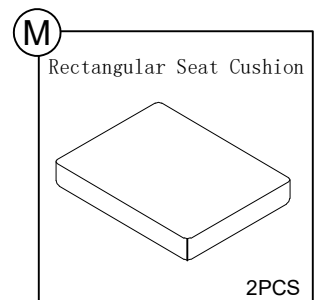
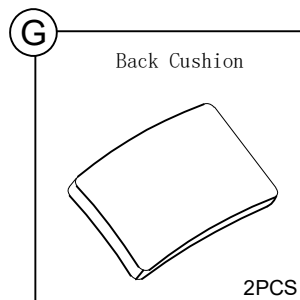
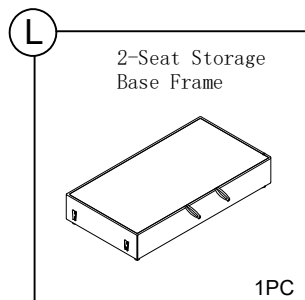
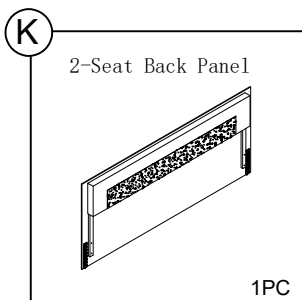
BOX1



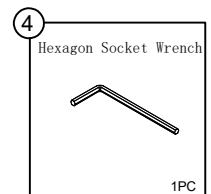
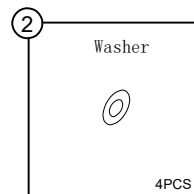
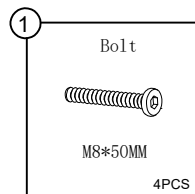
Hardware Package



BOX2



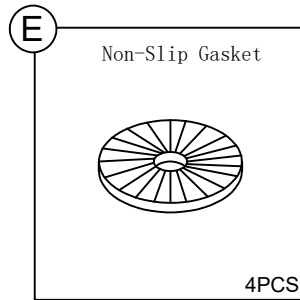
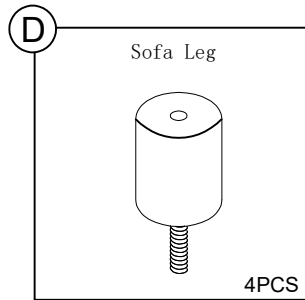
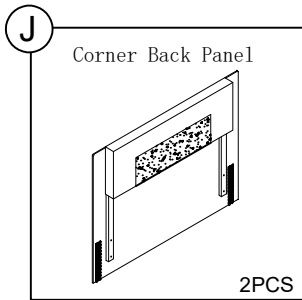
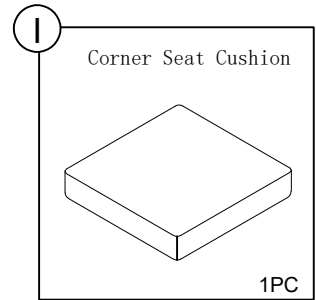
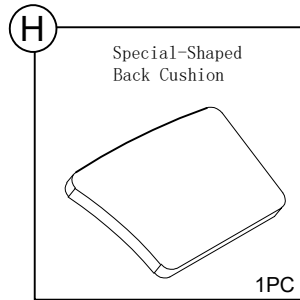
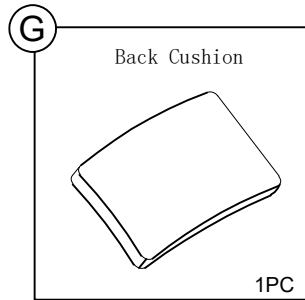
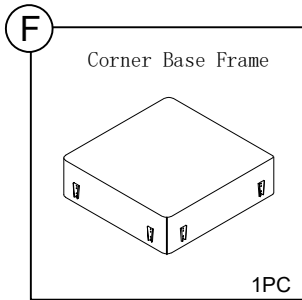
Hardware Package



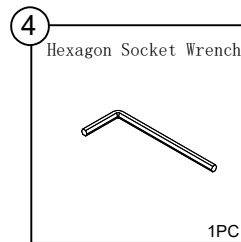
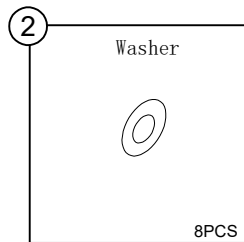
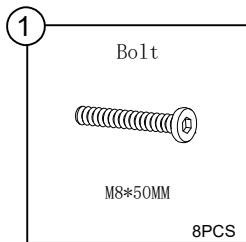
NPTE: Take out of all parts from 4 boxes, make sure all parts you have received before assembled.

COMPONENTS

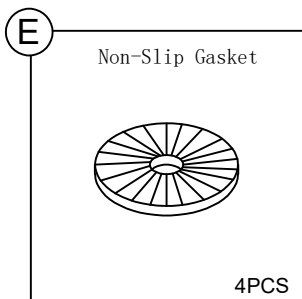
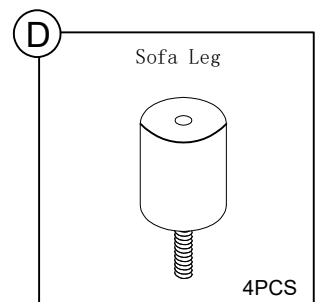
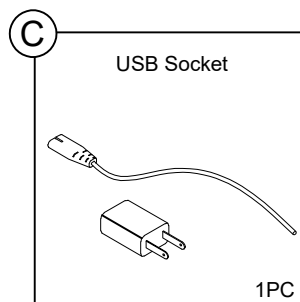
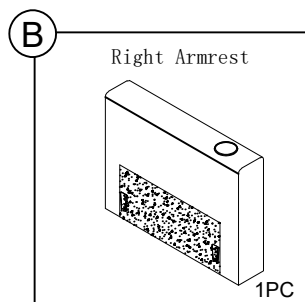
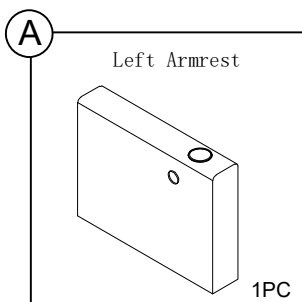
BOX3



Hardware Package





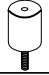


BOX4

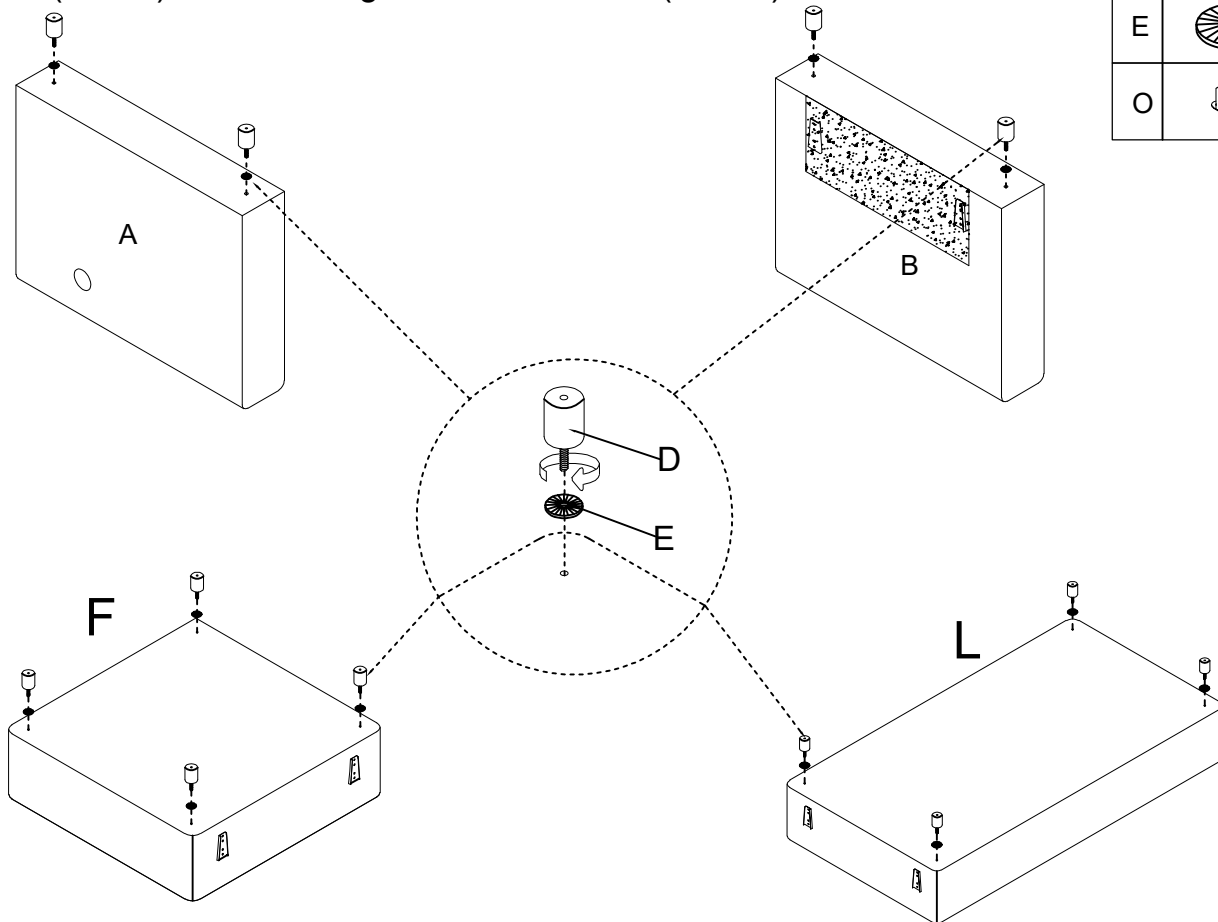


NPTE:Take out of all parts from 4 boxes, make sure all parts you have received before assembled.

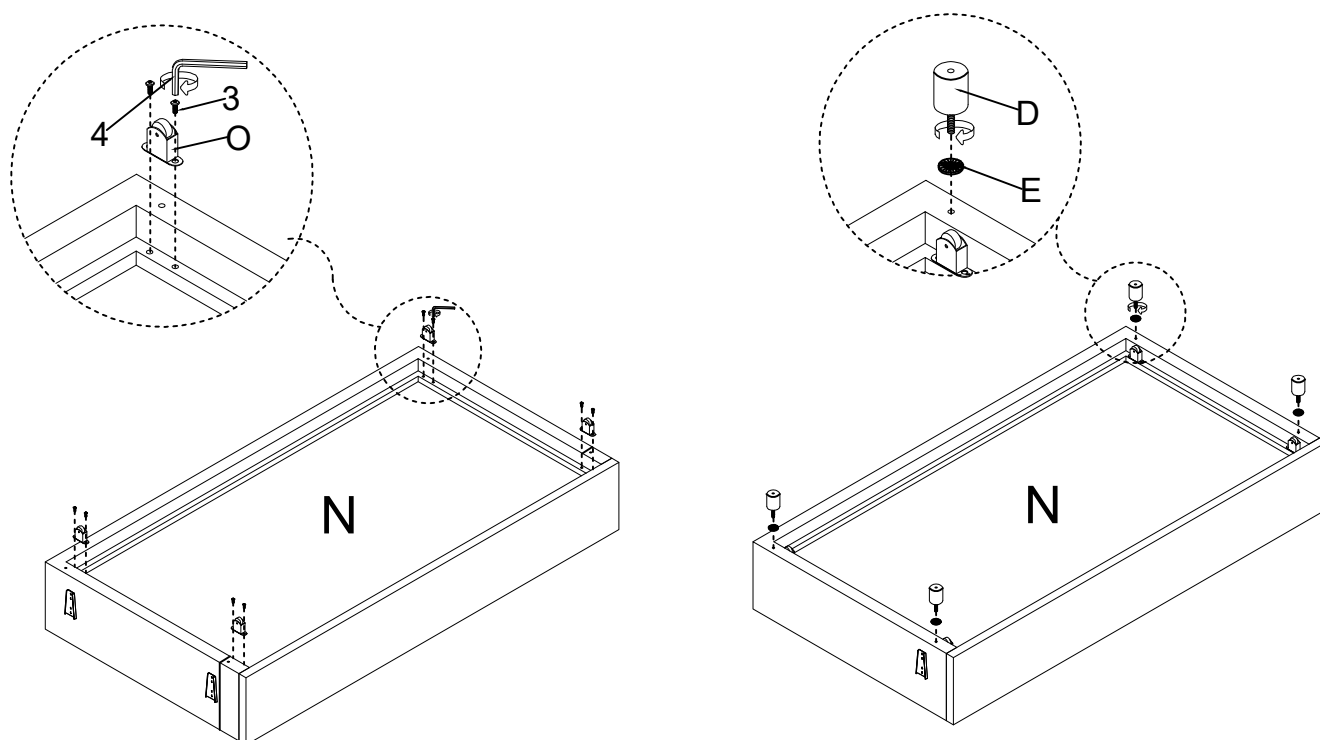
1 Diagram 1 (Assemble the Feet)

As shown in the diagram: Screw the Sofa Leg (Part D) and the Non-slip Gasket (Part E) into the screw holes at the bottom of the Armrests (Part A & Part B), the 2-Seat Storage Base Frame (Part L) and 2 Sliding Bed Base Frame (Part N).

3		8PCS
4		1PC
D		16PCS
E		16PCS
O		4PCS






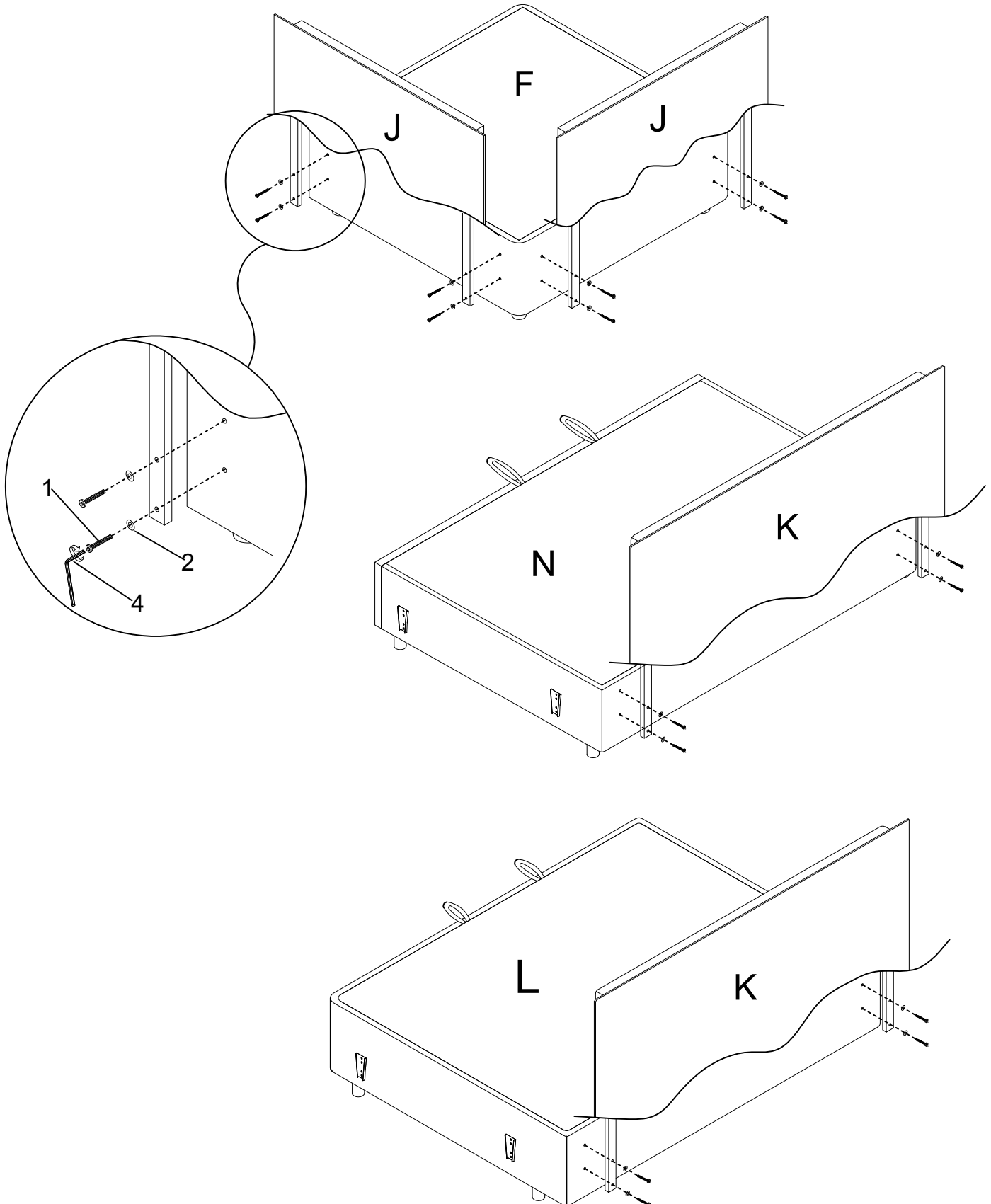
As shown in the diagram: Use the Hexagon Socket Wrench (Accessory 4) to screw the Casters (Part O) into the corresponding holes on the bottom frame of the 2-Seat Sliding Bed Base Frame (Part N) with the screws (Accessory 3).



2 Diagram 2 (Assemble the Back Frame)

Connect the Corner Back Panel (Part J) to the Corner Base Frame (Part F), the 2-Seat Back Panel (Part K) to the 2-Seat Sliding Bed Base Frame (Part N), and the 2-Seat Back Panel (Part K) to the 2-Seat Storage Base Frame (Part L) using M8x50mm bolts (Accessory 1) and Washers (Accessory 2) with The Hexagon Socket Wrench (Accessory 4), as illustrated in the diagram. Then neatly attach the hook-and-loop fasteners of the fabric curtain together.

1		16PCS
2		16PCS
4		1PC



3 Diagram 3 (Sofa Component Assembly)

As shown in the figure: Install the sofa from left to right in sequence; the accessories can be snapped together directly.

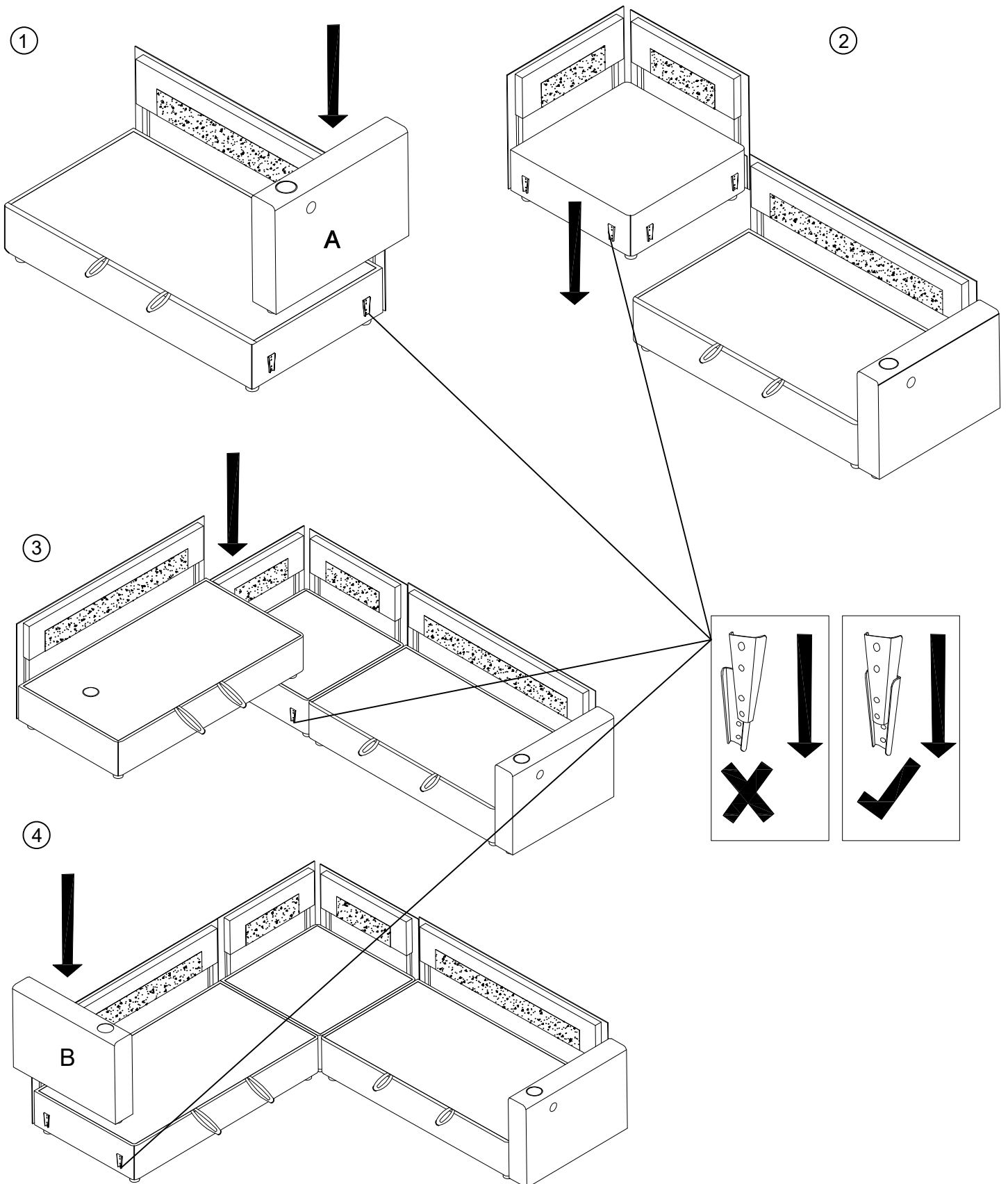
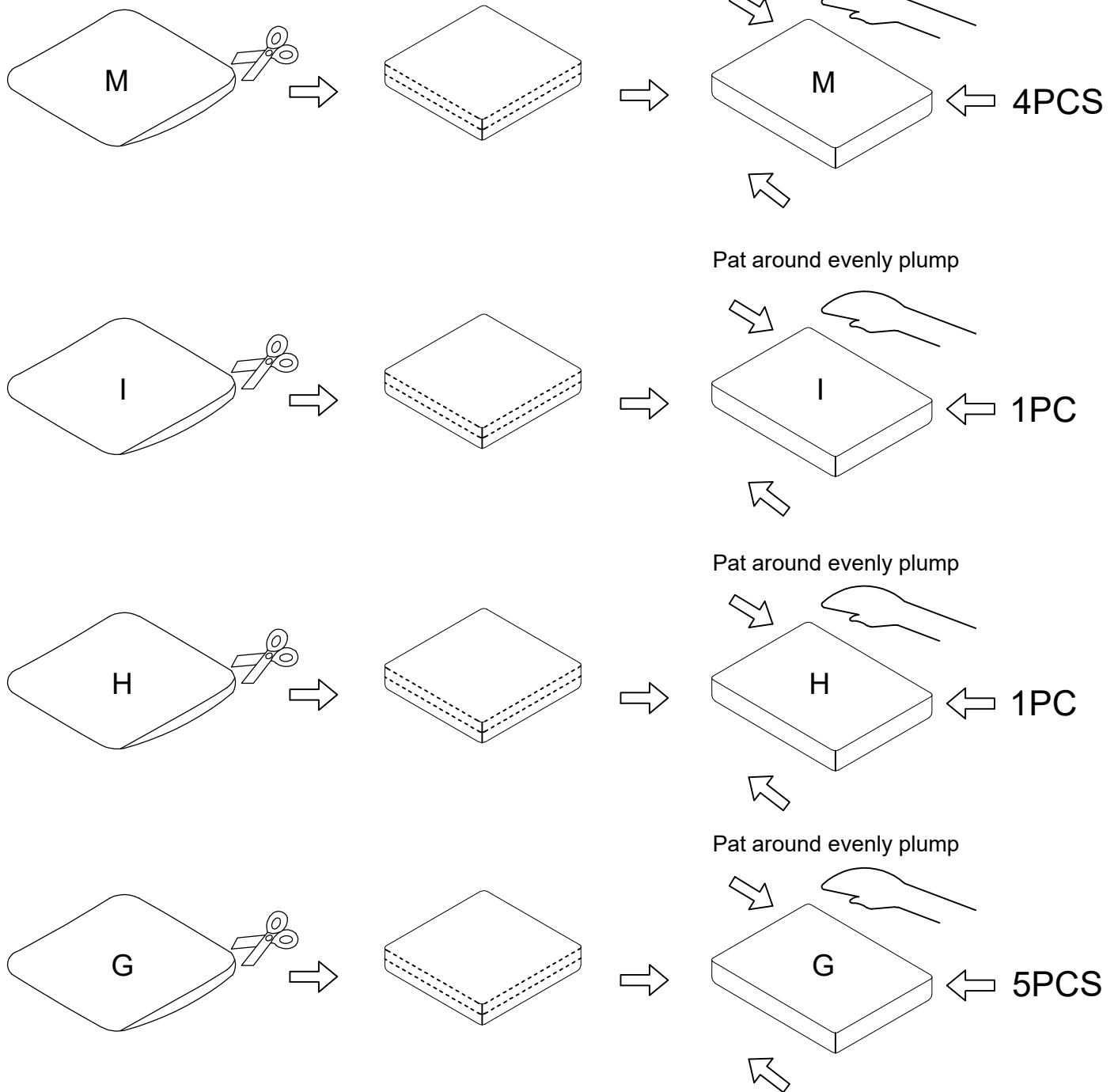


DIAGRAM4 (Removal of compressed bags)and Waiting for 72H

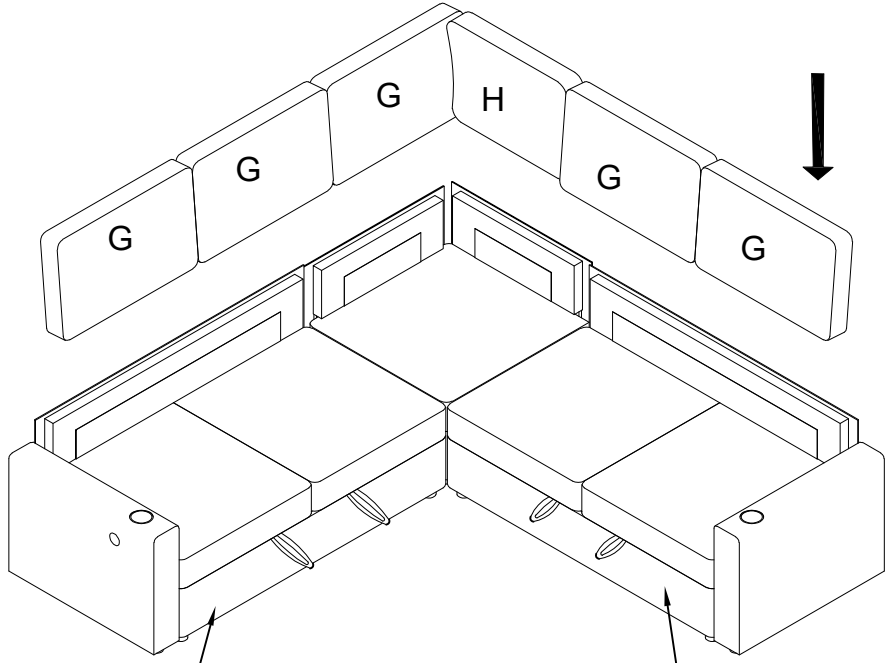
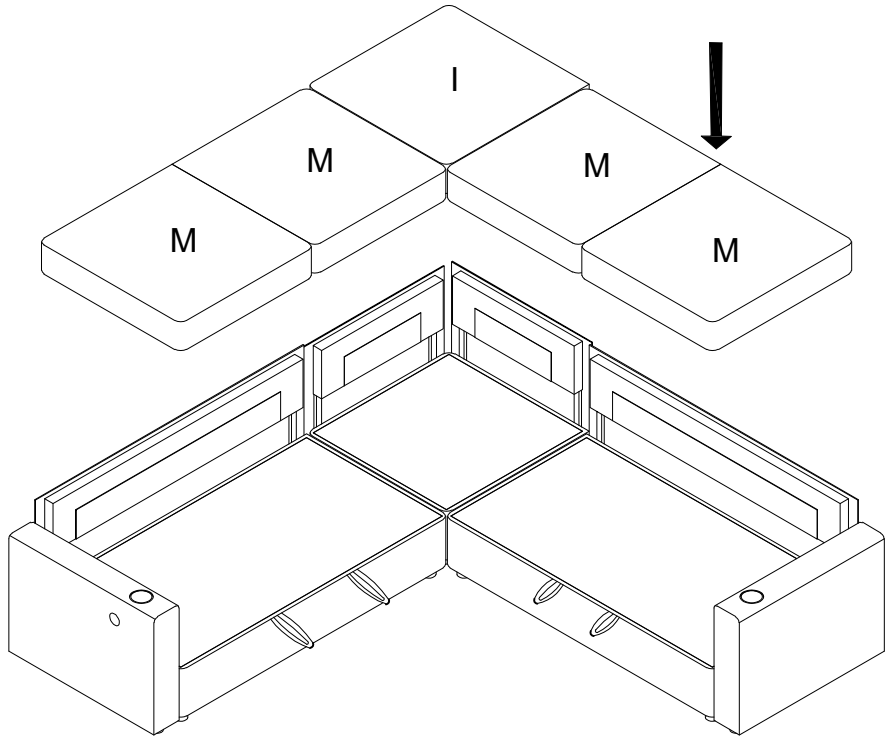


TIPS :

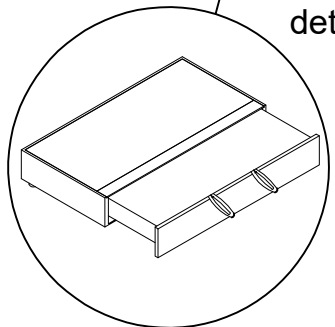
- 1.Please do not open the compressed packages until your sofa frame is completely assembled.
- 2.Compressed Back cushions and Seat cushions need to be fully fulfilled within 72 hours for your perfect use.
- 3.Please keep children away from plastic bags or any small pieces of stuff.

5

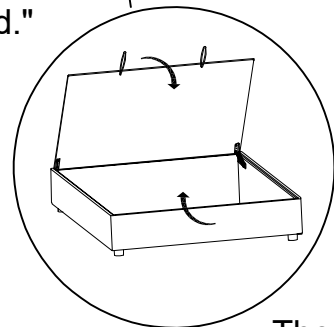
Diagram 5 (Placement of Back Cushions and Seat Cushions)



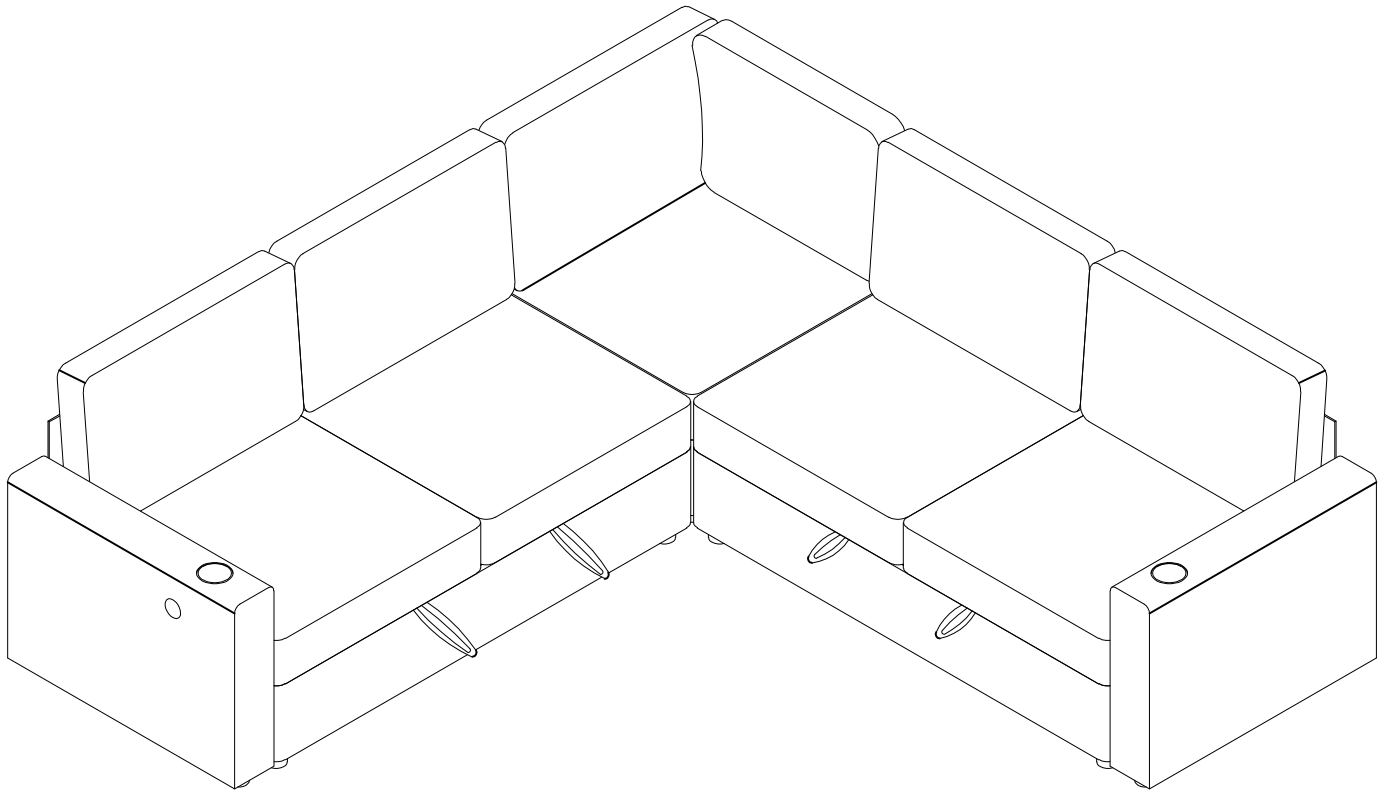
"The under-seat storage box and the pull-out bed of the two-seater sofa can be detached and swapped."



Can be pulled out to use as a bed.



The cover can be flipped open for storage.



COMPLETE