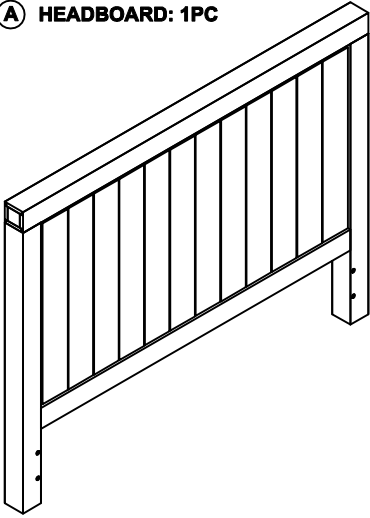


FULL/QUEEN/E.KING STORAGE BED ASSEMBLY INSTRUCTIONS

BOX #1

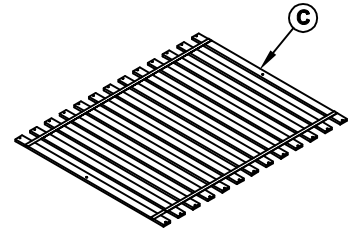
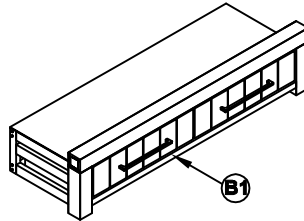
(A) HEADBOARD: 1PC



BOX #2

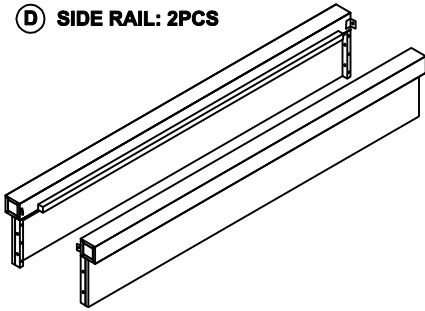
**B1. FOOTBOARD
C. SLAT ROL**

**1 PC
1PC(13 SLATS)**

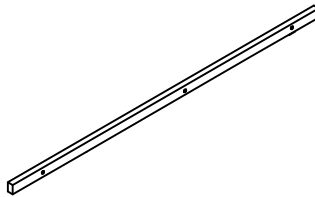


BOX #3

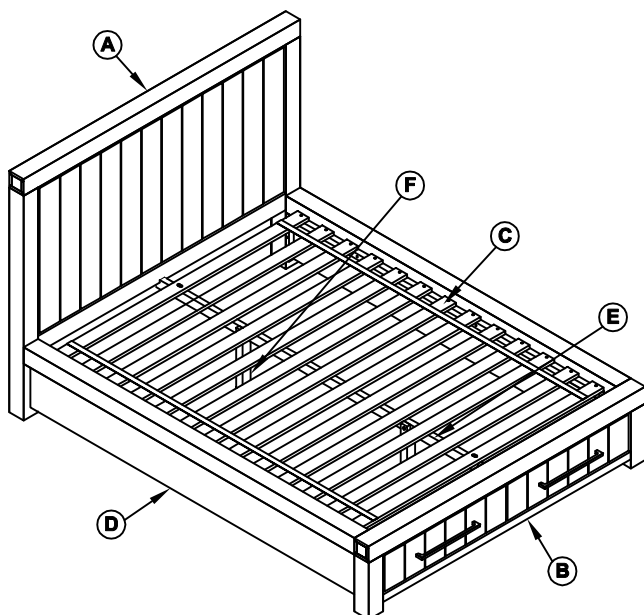
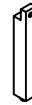
(D) SIDE RAIL: 2PCS



(E) CENTER RAIL: 1PC

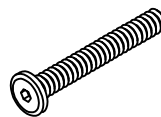


(F) CENTER LEGS: 2PCS

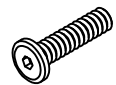


HARDWARE PACKED IN BOX #3

(1) ALLEN BOLT (M8x60): 8PCS



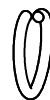
(2) ALLEN BOLT (M6x30): 4PCS



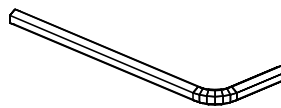
(3) FLAT WASHER (M8): 12PCS



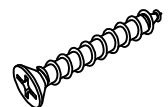
(4) LOCK WASHER (M8): 12PCS



(5) ALLEN KEY: 1PC



(6) WOOD SCREW (M4x30): 28PCS

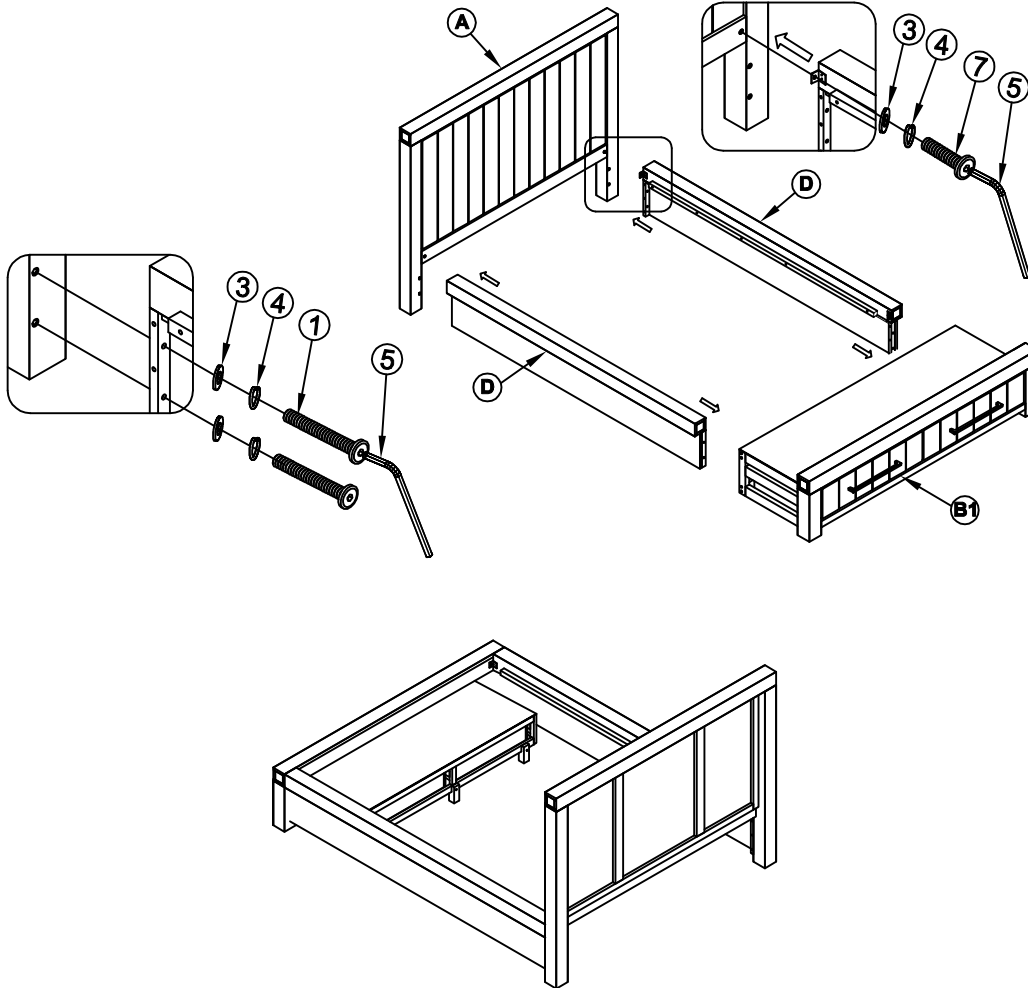


(7) ALLEN BOLT (M8x25): 4PCS

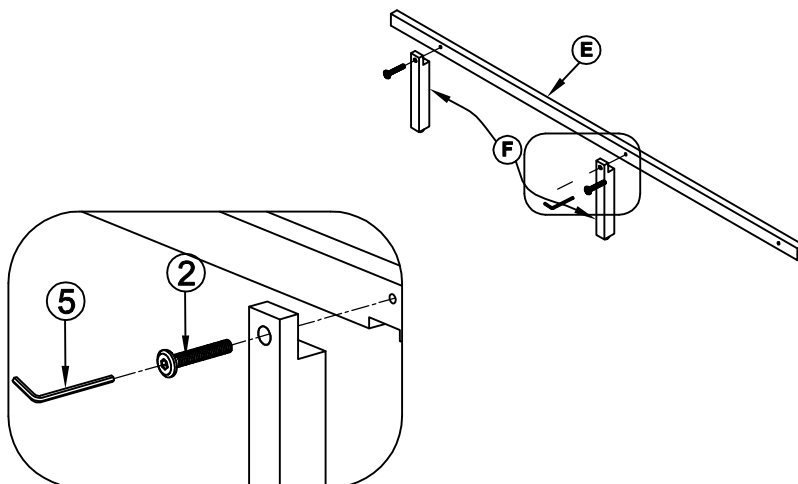


FULL/QUEEN/E.KING STORAGE BED ASSEMBLY INSTRUCTIONS

STEP 1

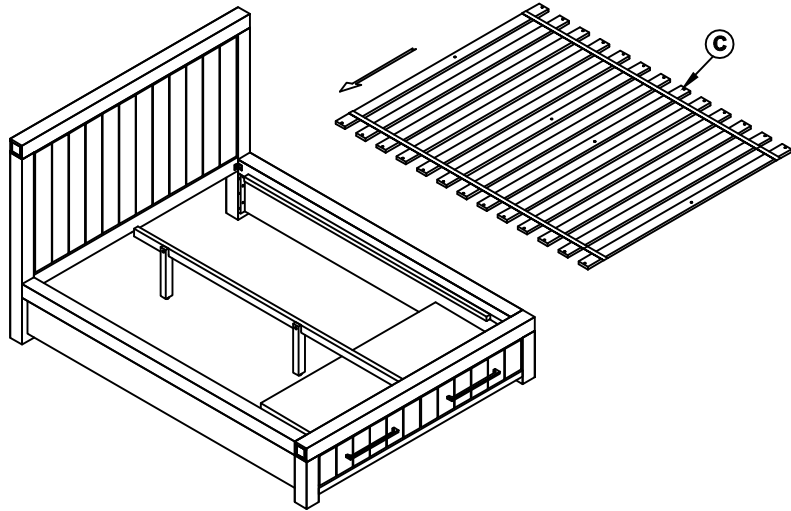


STEP 2



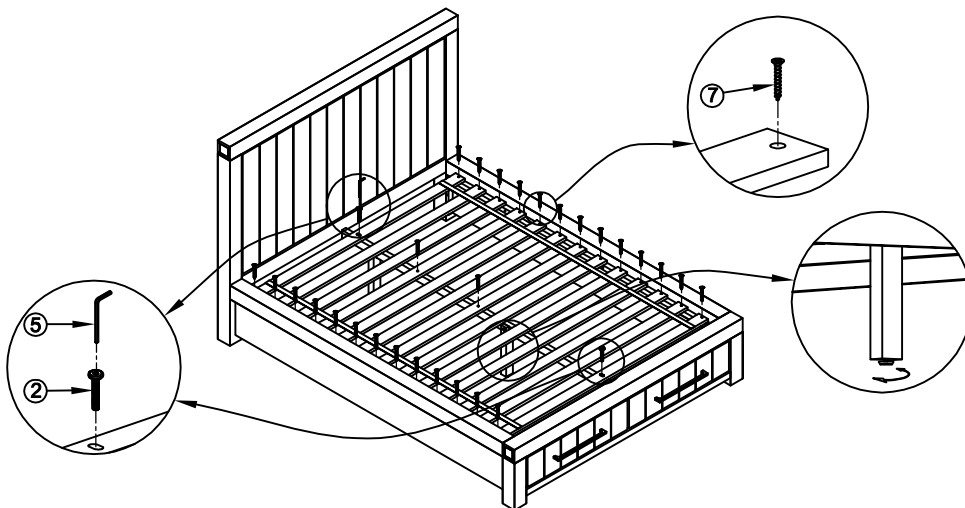
FULL/QUEEN/E.KING STORAGE BED ASSEMBLY INSTRUCTIONS

STEP 3



STEP 4

NOTE!: Phillips head screw driver for wood screws is not included in hardware.

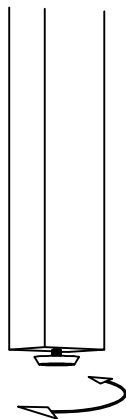


INSTRUCTIONS FOR ADJUSTING LEVELER :

Position the bed in your room
locate levelers under each leg
support.

Turn counter-clock wise to
extend clockwise to contract.

Adjust levelers until each leg
support is applying equal
upward pressure on the bed
slat.



MAINTENANCE INTRUCTIONS :

- Remove box spring and mattress before moving your bed.
- Lift your bed when moving it. Dragging can damage leg support.
- Readjust levelers after moving your bed