

**ASSEMBLY  
INSTRUCTION**



# HELPFUL HINTS

## ! BEFORE YOU START

- Inspect product packaging to ensure the appearance is good.
- Read the assembly instruction carefully and follow it step by step.
- To avoid any scratching, putting a soft blanket on the floor is suggested.
- Identify, sort and count all the parts with tags.
- Find out installation position according to the drawing and install it in correct steps.

## ! OTHER

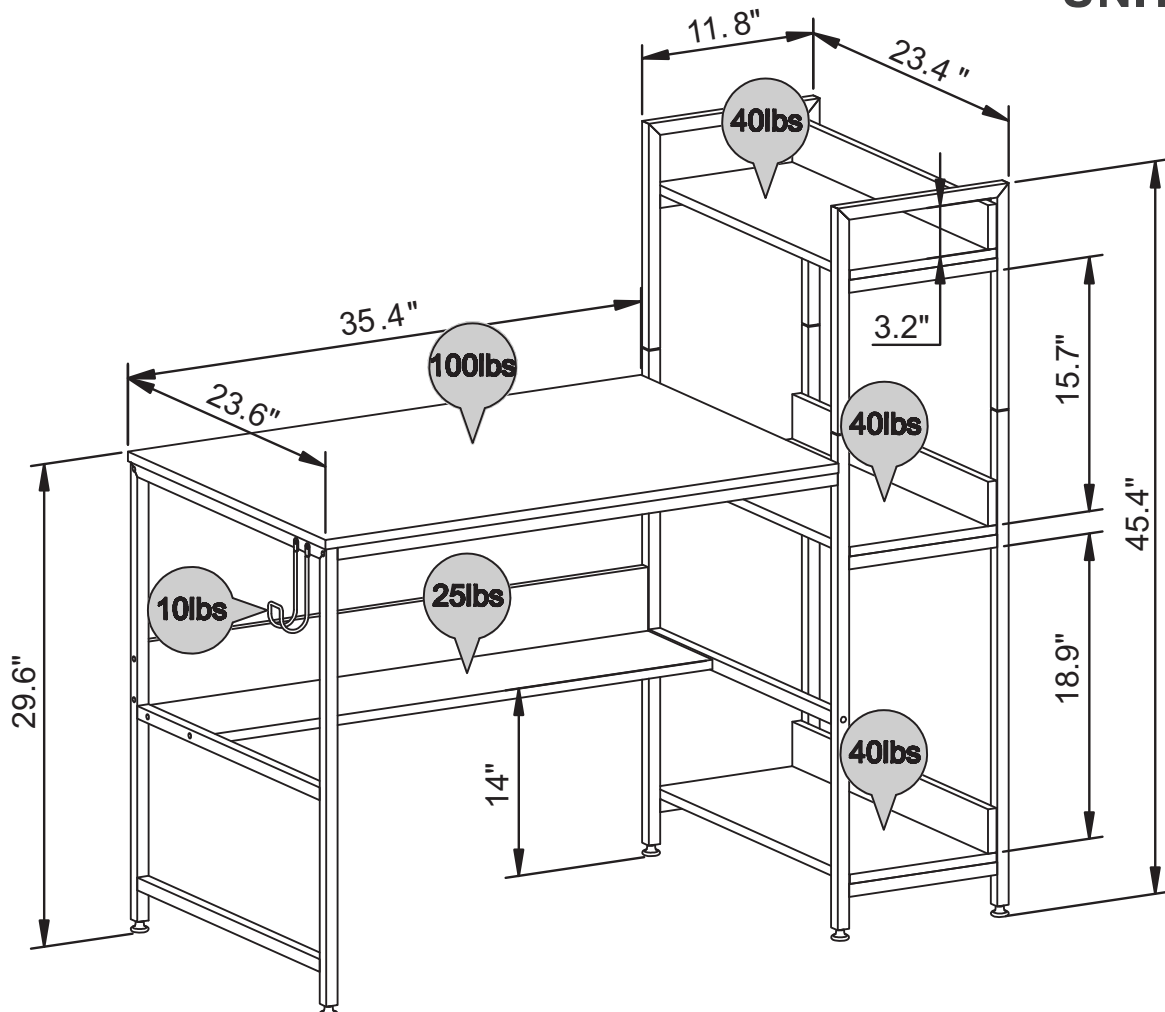
- People needed for assembly: 1-2
- Estimated assembly time: 0.5-1 hour

## ! CAUTION

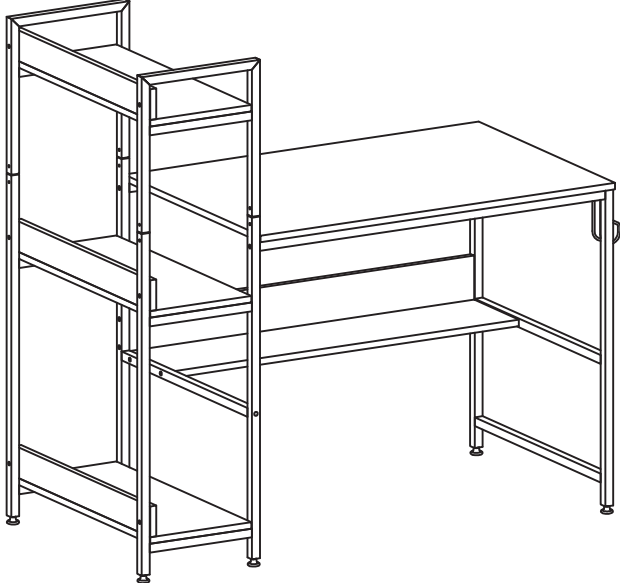
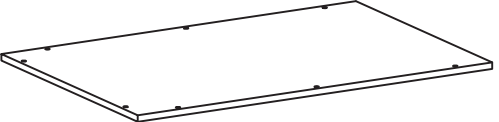
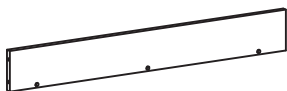



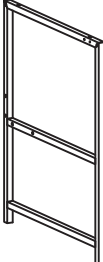
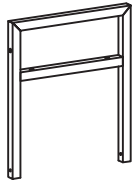
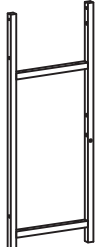
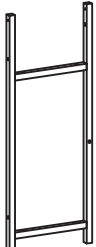

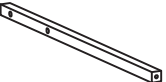


- Be cautious when using a power drill or power screwdriver.
- Please be aware to slow down and stop when screw is nearly tight.
- Do Not use any harsh chemicals or abrasive cleaners for this item.
- Push, pull or drag this item carefully.

## DETAILS

UNIT: INCH



# PARTS LIST

	<div style="display: flex; justify-content: space-between; align-items: center;"> <div style="text-align: center;">  <p><b>1</b></p> </div> <div style="text-align: right;"> <p><b>X1</b></p> </div> </div>		
	<div style="display: flex; justify-content: space-between; align-items: center;"> <div style="text-align: center;">  <p><b>2</b></p> </div> <div style="text-align: right;"> <p><b>X1</b></p> </div> </div>	<div style="display: flex; justify-content: space-between; align-items: center;"> <div style="text-align: center;">  <p><b>3</b></p> </div> <div style="text-align: right;"> <p><b>X1</b></p> </div> </div>	
<div style="display: flex; justify-content: space-between; align-items: center;"> <div style="text-align: center;">  <p><b>4</b></p> </div> <div style="text-align: right;"> <p><b>X3</b></p> </div> </div>	<div style="display: flex; justify-content: space-between; align-items: center;"> <div style="text-align: center;">  <p><b>5</b></p> </div> <div style="text-align: right;"> <p><b>X3</b></p> </div> </div>	<div style="display: flex; justify-content: space-between; align-items: center;"> <div style="text-align: center;">  <p><b>6</b></p> </div> <div style="text-align: right;"> <p><b>X1</b></p> </div> </div>	<div style="display: flex; justify-content: space-between; align-items: center;"> <div style="text-align: center;">  <p><b>7</b></p> </div> <div style="text-align: right;"> <p><b>X2</b></p> </div> </div>
<div style="display: flex; justify-content: space-between; align-items: center;"> <div style="text-align: center;">  <p><b>8</b></p> </div> <div style="text-align: right;"> <p><b>X1</b></p> </div> </div>	<div style="display: flex; justify-content: space-between; align-items: center;"> <div style="text-align: center;">  <p><b>9</b></p> </div> <div style="text-align: right;"> <p><b>X1</b></p> </div> </div>	<div style="display: flex; justify-content: space-between; align-items: center;"> <div style="text-align: center;">  <p><b>10</b></p> </div> <div style="text-align: right;"> <p><b>X2</b></p> </div> </div>	<div style="display: flex; justify-content: space-between; align-items: center;"> <div style="text-align: center;">  <p><b>11</b></p> </div> <div style="text-align: right;"> <p><b>X1</b></p> </div> </div>
<div style="display: flex; justify-content: space-between; align-items: center;"> <div style="text-align: center;">  <p><b>12</b></p> </div> <div style="text-align: right;"> <p><b>X1</b></p> </div> </div>	<div style="display: flex; justify-content: space-between; align-items: center;"> <div style="text-align: center;">  <p><b>13</b></p> </div> <div style="text-align: right;"> <p><b>X6</b></p> </div> </div>		

# ACCESSORIES LIST

No.	PICTURE	SIZE	QTY
<b>A</b>		M4	2
<b>B</b>		M6x35	6
<b>C</b>			4
<b>D</b>		M6x30	26
<b>E</b>		M4x25	2

No.	PICTURE	SIZE	QTY
<b>F</b>		ST5x50	8
<b>G</b>		ST5x40	9
<b>H</b>		ST4x14	8

**STEP1**

※ Note: Tighten the screws as much as possible

**H** ST4x14 4

**C** 4

**STEP2**

※ Note: Tighten the screws as much as possible

**H** ST4x14 4

**STEP3**

※ Note: Tighten the screws as much as possible

**G** ST5x40 3

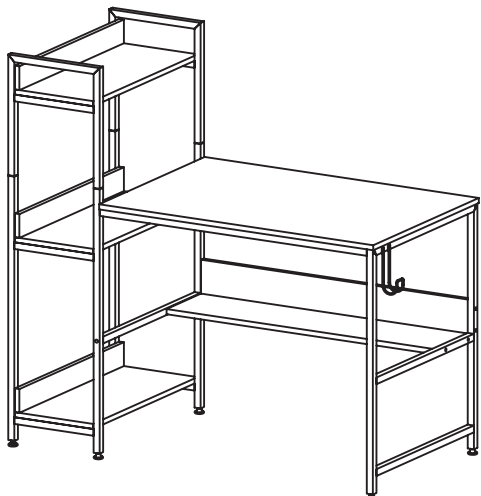
**STEP4**

※ Note: Tighten the screws as much as possible

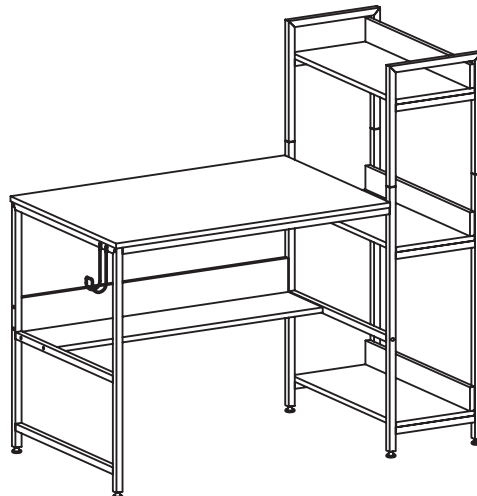
**G** ST5x40 6

ACCORDING TO THE STYLE YOU WANT AS SHOWN BELOW , CHOOSE THE STEPS PART **(A)** OR **(B)** TO INSTALL YOUR DESK

**(A)**



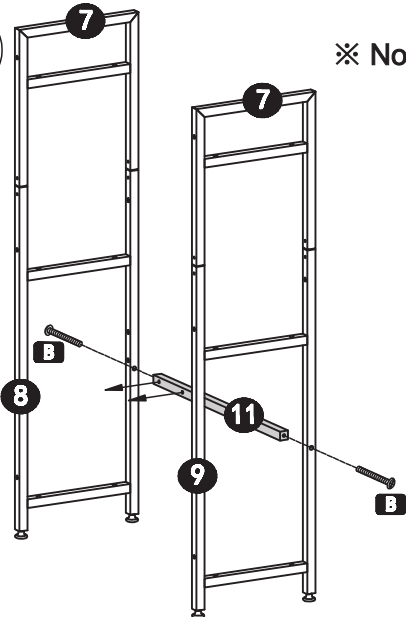
**(B)**



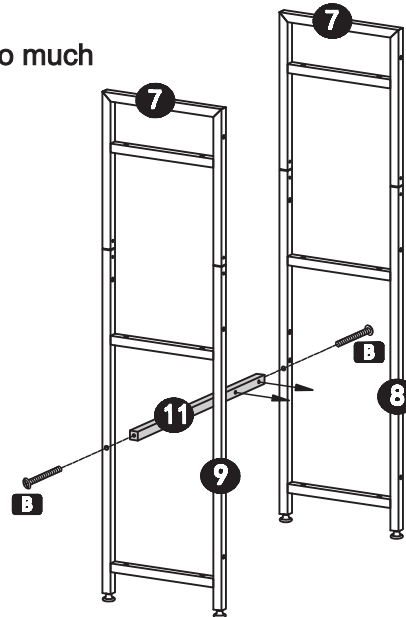
**STEP5**

※ Note: Do not tighten the screws too much

**(A)**



**(B)**

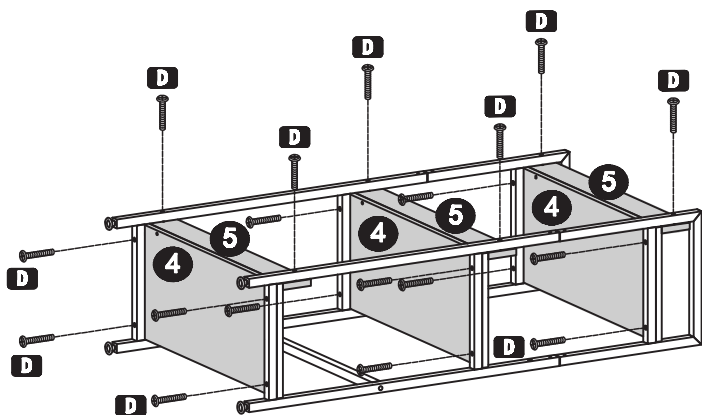


**(B)** M6x35 2

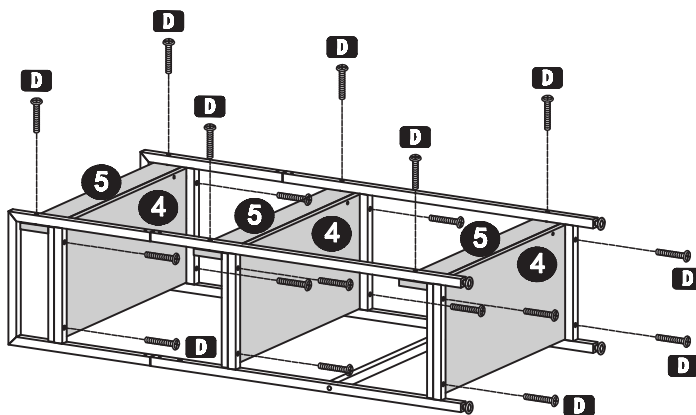
**STEP6**

※ Note: The assembly can be easier when you lay down the shelf on the ground

**(A)**



**(B)**



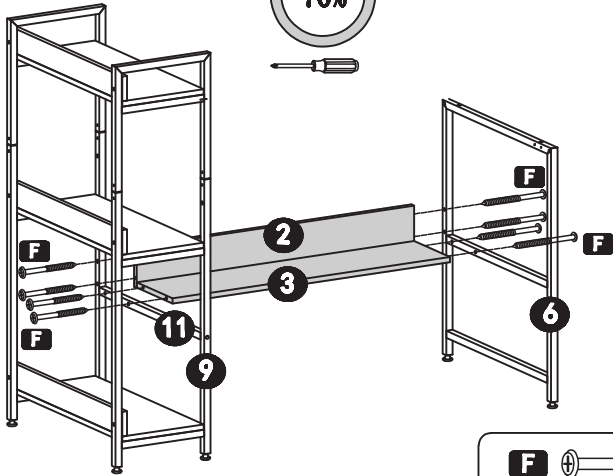
**(D)** M6x30 18

## STEP 7

A

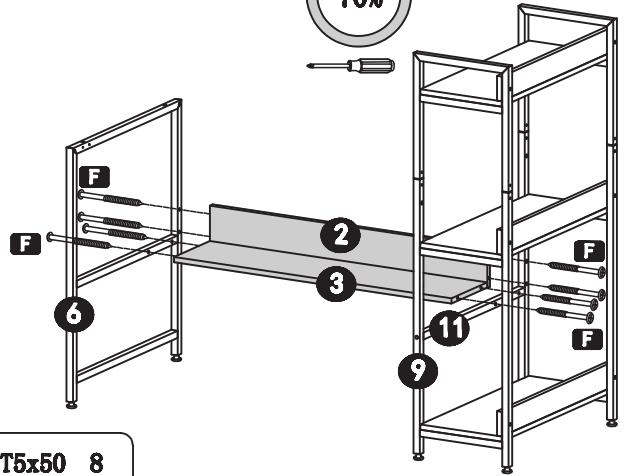


※Note: Do not tighten the screws too much



**F** ST5x50 8

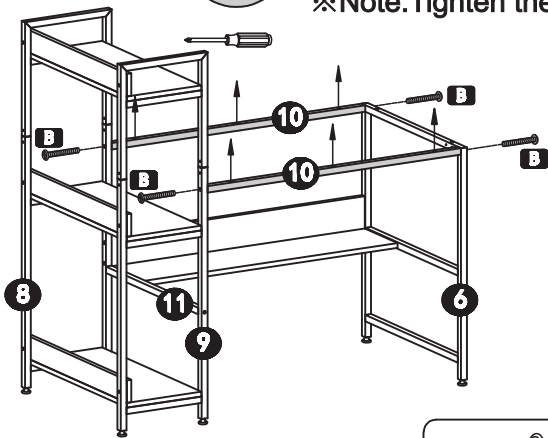
B



A

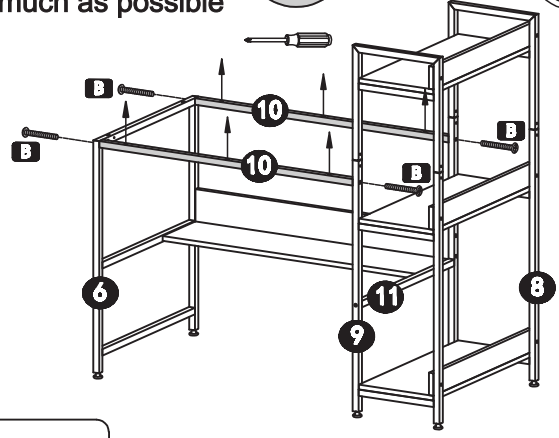


※Note: Tighten the screws as much as possible



**B** M6x35 4

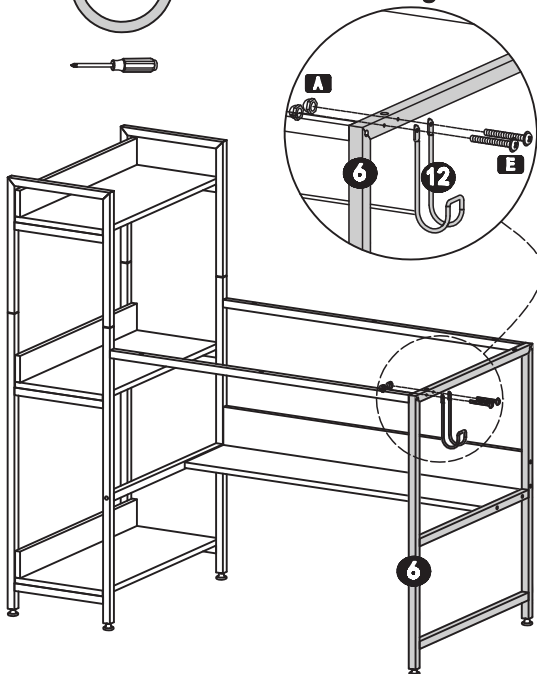
B



A



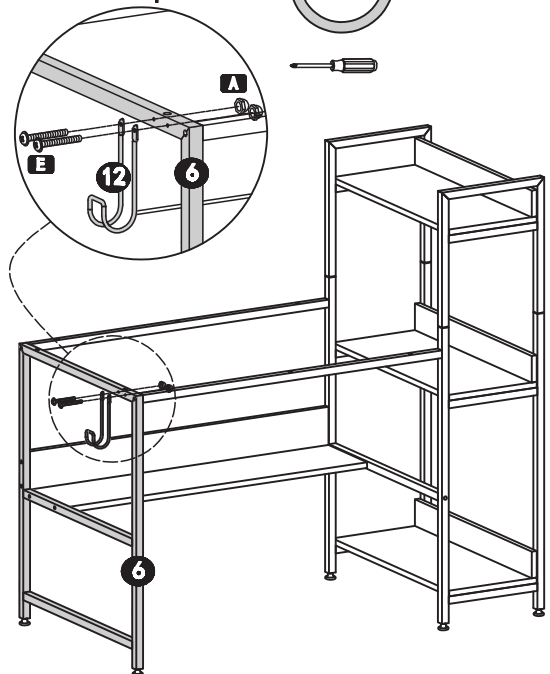
※Note: Tighten the screws as much as possible



**E** M4x25 2

**A** M4 2

B

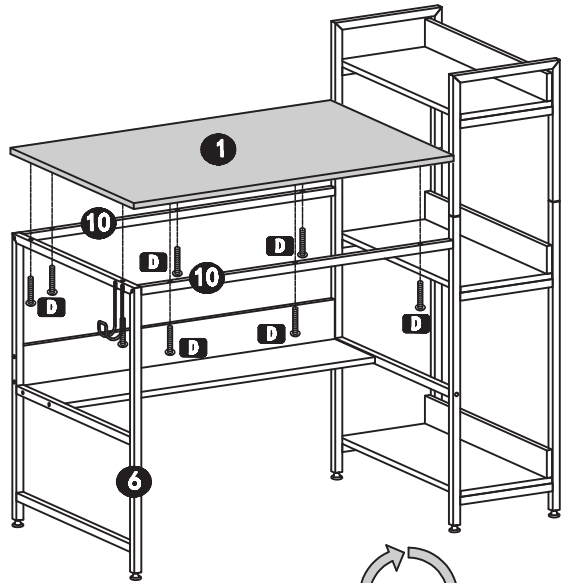
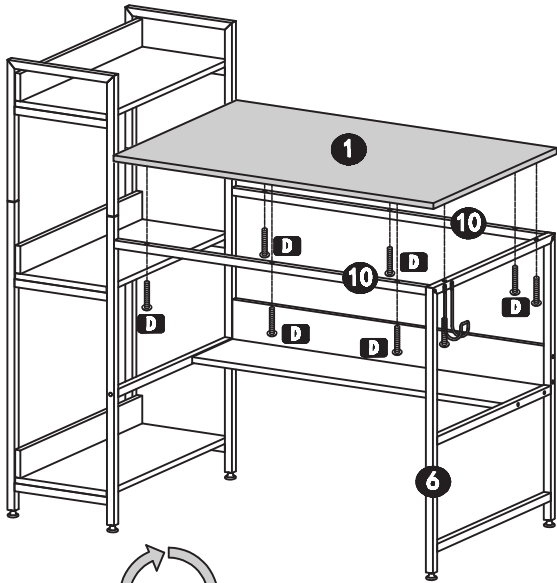


# STEP 10

※Note: Tighten the screws as much as possible

A

B



D



M6x30 8

