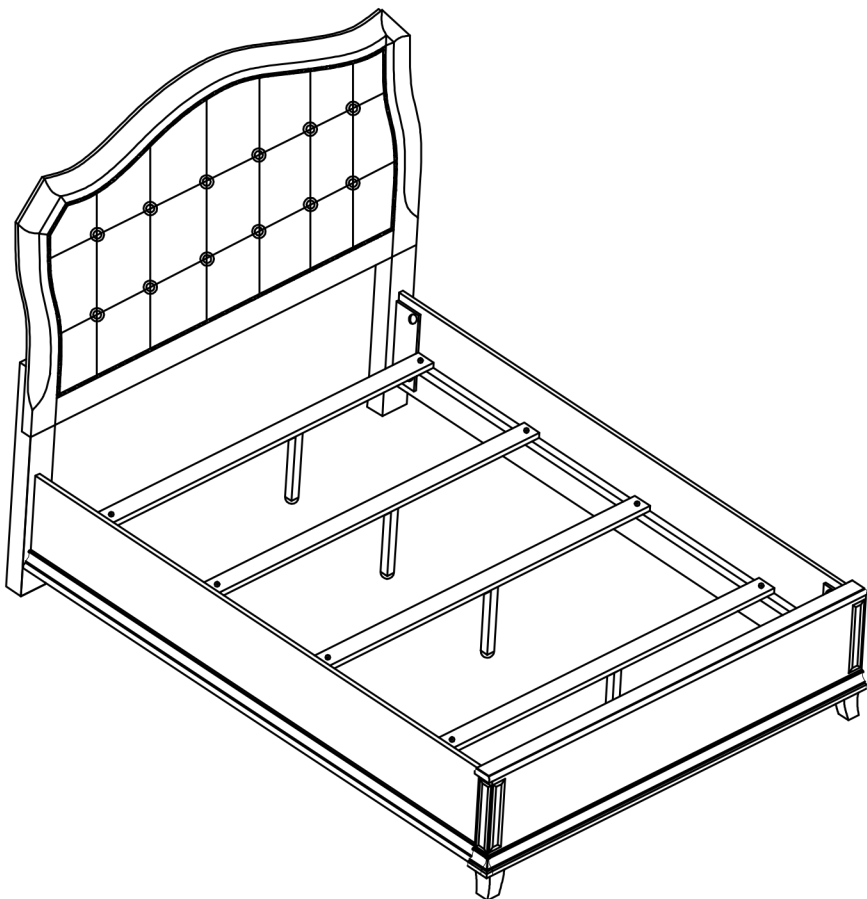


# ASSEMBLY INSTRUCTIONS



## TOOLS REQUIRED



Allen Wrench

(Included)



Phillips  
Screwdriver

(Not Included)



Wrench 10mm

(Included)



2 - People  
Recommended

## ASSEMBLY RATING



EASY —————> DIFFICULT

The Assembly Rating is a 5-point system showing the level of effort needed to assemble a specific product.



## **CHECK BEFORE STARTING**

### **Are you missing anything?**

Double-check all parts, hardware and accessories listed on Page 6 are accounted for.

### **Check out our Quick Tips!**

We recommend reviewing the pre-assembly handouts. Even experts need a refresher now and then!

### **Should we send any replacements?**

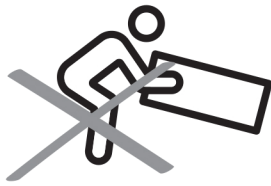
Are there any irregularities or flaws in the parts? We can send replacements!

### **Prep Time!**

Please review the assembly instructions and all diagrams prior to assembling. Arrange parts as recommended on Page 7 and group identical hardware together to make assembling easier.

# PRE ASSEMBLY INTRODUCTION

We understand building ready-to-assemble furniture can be a challenging experience for some. To help avoid confusion, we have provided some helpful tips that may speed up the process.



## Teamwork

ALWAYS have at least two people to help with transporting and assembling the product to avoid potential injury and/or damage.



## Suitable Location

Assembling near the area of the intended location is highly recommended.



## Sufficient Space

Make sure you have enough space to move around during the assembly.



## Avoid Scratches

Use cardboard, blankets or a carpeted area while assembling furniture to prevent scratches.



## Flat Surface

Make sure the furniture rests on a flat and level surface with each leg evenly touching the floor.

# ASSEMBLY AND CARE ADVICE



**FAILURE TO FOLLOW THE GUIDELINES BELOW MAY RESULT IN INJURY AND/OR PROPERTY DAMAGE.**



Position each part correctly and insert screws or bolts into their respective holes.



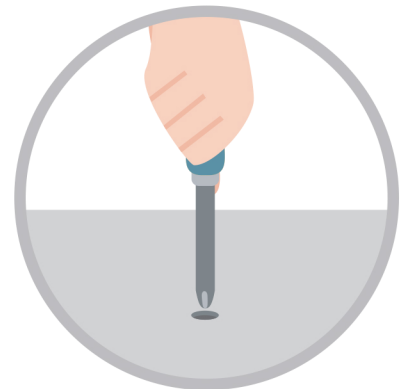
Turn clockwise to tighten and only tighten when step is completed or when instructed to do so.



Use the appropriate hand tools or power tools for assembly. Select steps, such as tightening screws and/or bolts, may require hand tools to avoid causing damage during assembly.



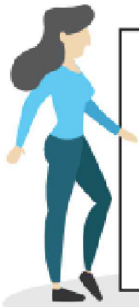
Save the instructions and store any supplied tools for later maintenance.



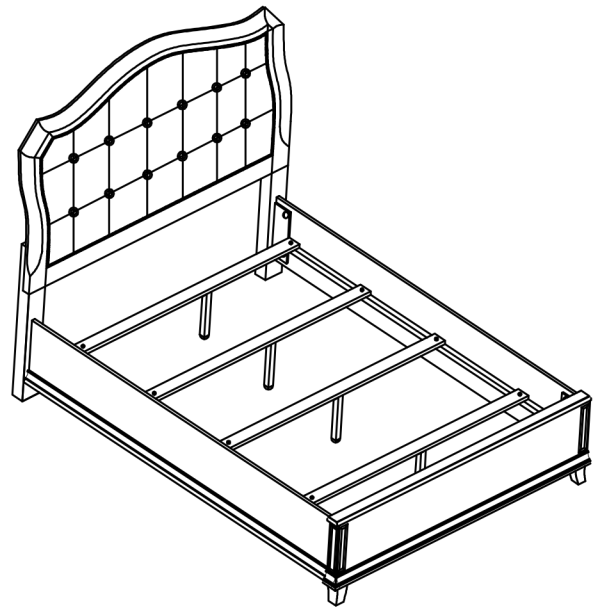
After two weeks, check and tighten any loose hardware and repeat again every six months thereafter.

**IT IS THE USER'S RESPONSIBILITY TO MAINTAIN THE FURNITURE. THE HARDWARE MAY LOOSEN OVER TIME AND MAY CAUSE THE FURNITURE TO BE WOBBLY AND UNABLE TO SUPPORT ITS INTENDED WEIGHT CAPACITY. THIS MAY LEAD TO COLLAPSE AND MAY CAUSE SERIOUS INJURY.**

# BED

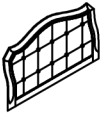


- Please keep instructions for future reference.
- Check the quantity and irregularity of parts and hardware before you start.



## PARTS

#1 1pc



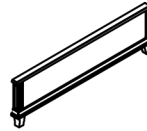
Headboard

#2 2pcs



HB Leg(L&R)

#3 1pc



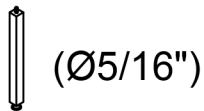
Footboard

#4 2pcs



Siderail

#5 4pcs



Slat support leg  
(245x30x30mm)

#6 4pcs



Slat

## HARDWARE

#A 6pcs



Bolt  
Ø5/16" x 1-3/8"

#B 6pcs



Lock Washer  
Ø5/16"

#C 6pcs



Flat Washer  
Ø5/16"

#D 1pc



Allen key 4mm

#E 8pcs



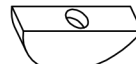
Screw #4 x 30mm

#F 8pcs



Thread rod  
Ø1/4" x 4"

#G 8pcs



Half moon washer

#H 8pcs



Flat Washer  
Ø1/4"

## HARDWARE

#I 8pcs



Lock Washer  
Ø1/4"

#J 8pcs



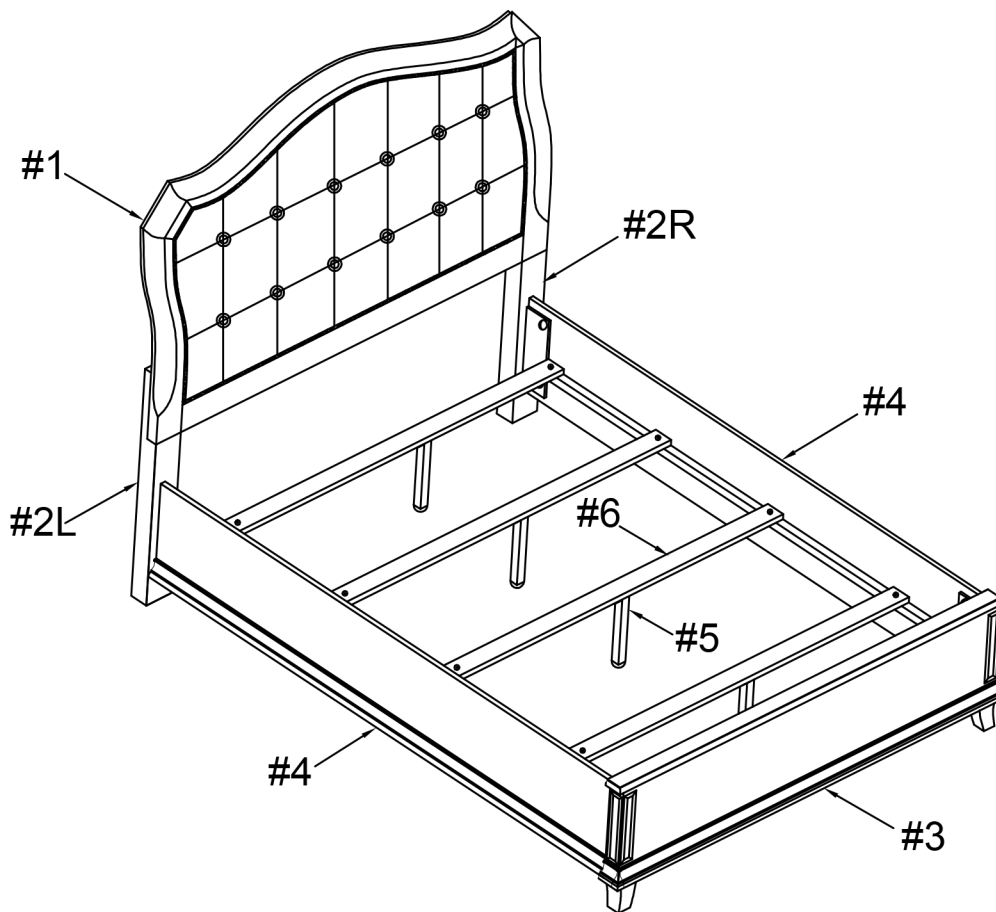
Hex nut Ø1/4"

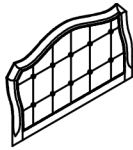


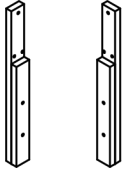


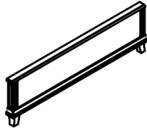
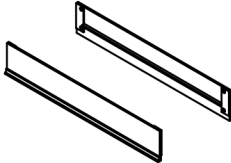


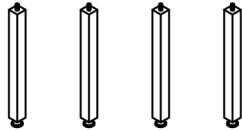



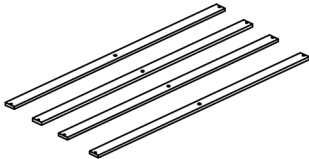


#K 1pc



Wrench 10mm

## Exploded View



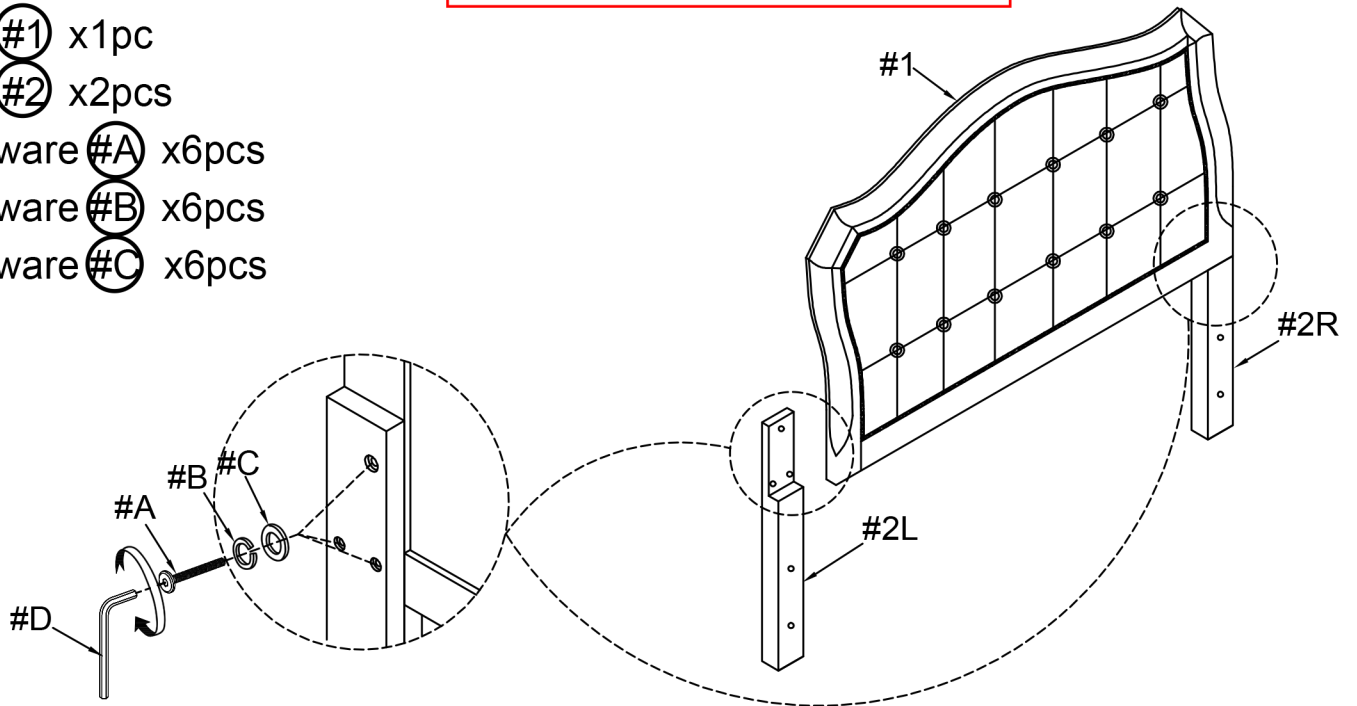
Carton	Disignation	Part		Hardware
	Headboard	#1		 #A x 6pcs  #B x 6pcs
	HB Leg(L&R)	#2		 #C x 6pcs  #D x 1pc
	Footboard	#3		
	Siderail	#4		 #E x 8pcs  #F x 8pcs
	Slat support leg (245x30x30mm)	#5		 #G x 8pcs  #H x 8pcs  #I x 8pcs
	Slat	#6		 #J x 8pcs  #K x 1pc

# ASSEMBLY INSTRUCTIONS

## 1

Align HB legs (#2R/L) to the headboard (#1), then secure by using bolts (#A) with washers (#B,C).

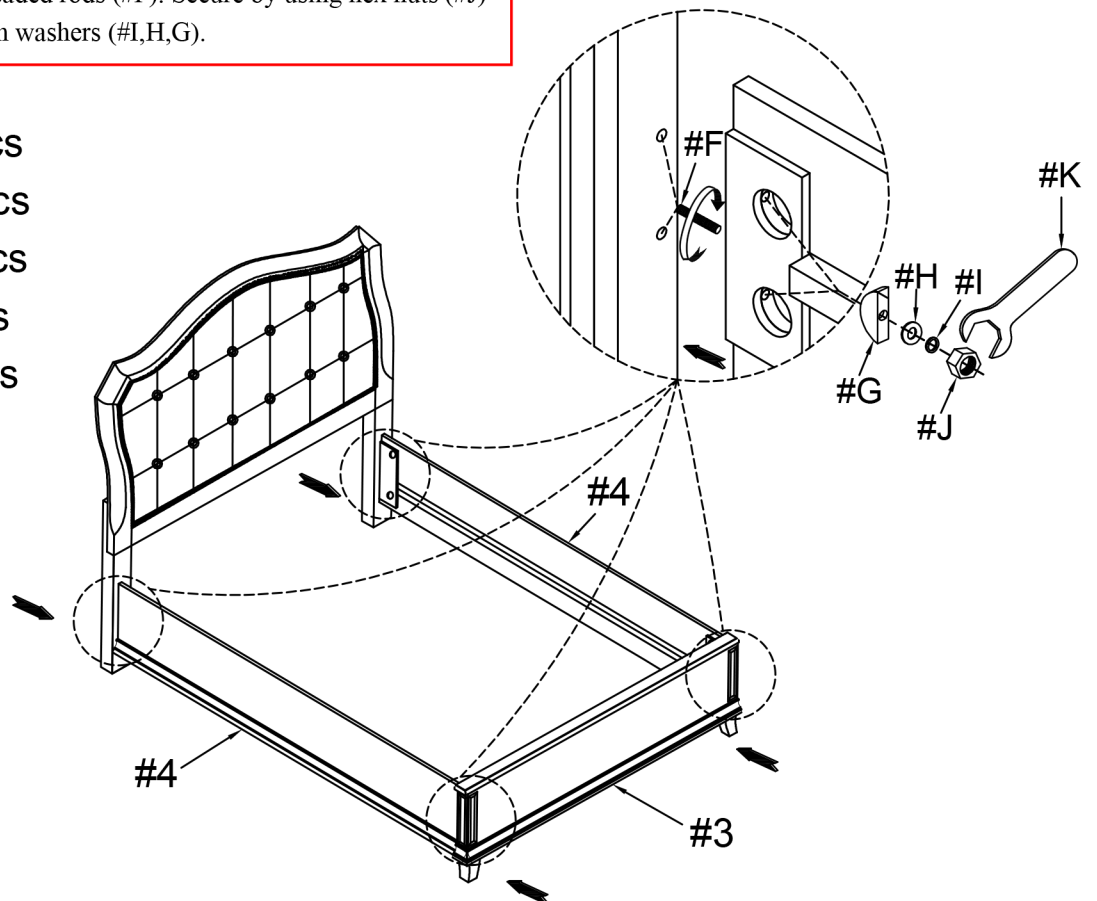
- Part #1 x1pc
- Part #2 x2pcs
- Hardware #A x6pcs
- Hardware #B x6pcs
- Hardware #C x6pcs



## 2

Attach threaded rods (#F) to the headboard and footboard (#3), then align side rails (#4) to the threaded rods (#F). Secure by using hex nuts (#J) with washers (#I,H,G).

- Part #3 x1pc
- Part #4 x2pcs
- Hardware #F x8pcs
- Hardware #G x8pcs
- Hardware #H x8pcs
- Hardware #I x8pcs
- Hardware #J x8pcs

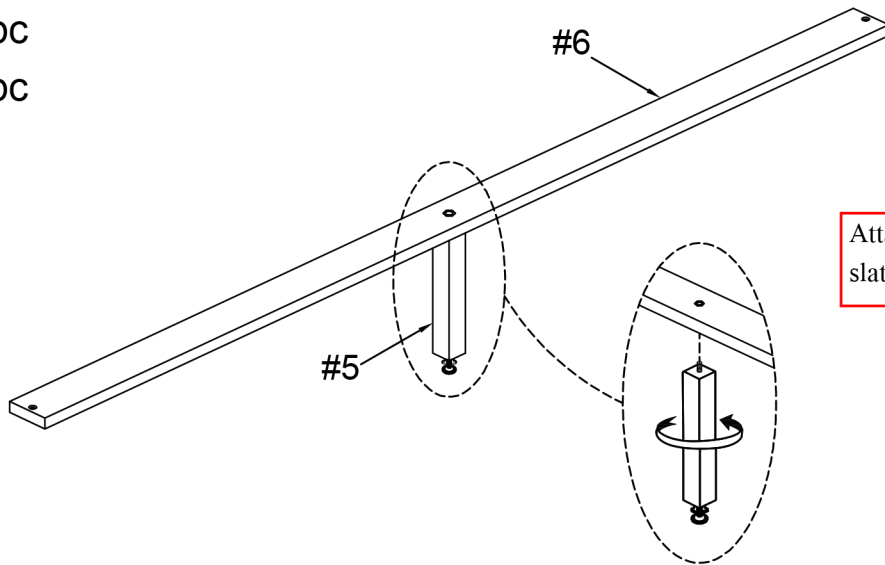


# ASSEMBLY INSTRUCTIONS

## 3

Part #5 x1pc

Part #6 x1pc



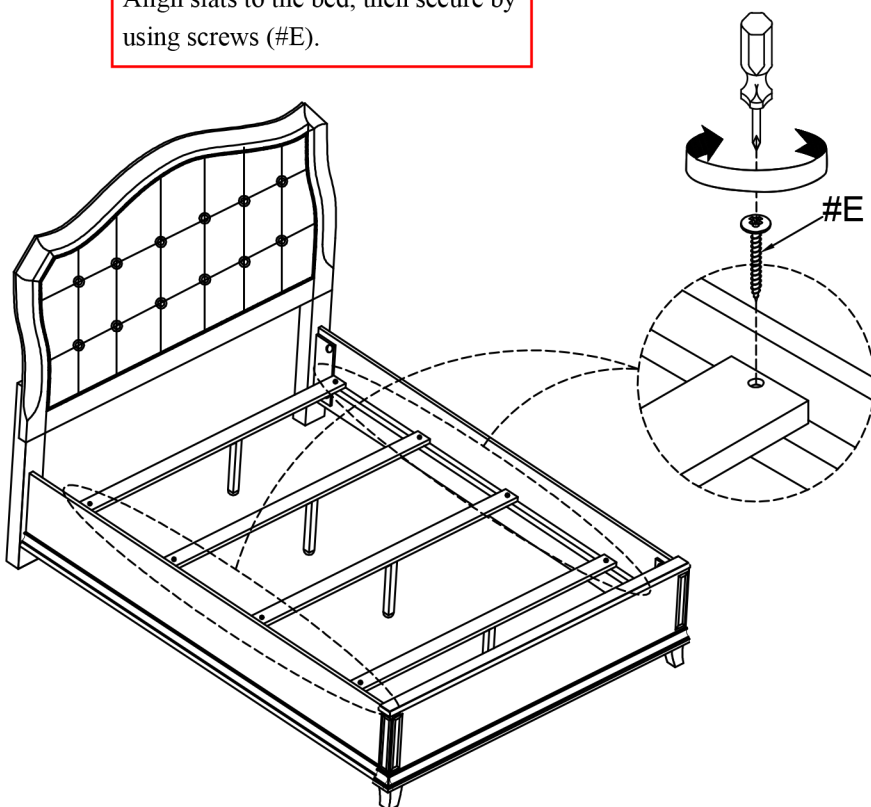
Attach support legs (#5) to the slats (#6).

x4

## 4


Hardware #E x8pcs


Align slats to the bed, then secure by using screws (#E).



**ASSEMBLY COMPLETED**

 Please ensure the furniture rests on an even and flat surface. If the product wobbles or feels loose, double-check all bolts and/or screws are properly tightened and secured.

 **Keep this handy!**  
Please retain this instruction manual and any order-related information for future reference.

 **Lift, don't drag!**  
To avoid damage to product please always LIFT the product when transporting or adjusting the placement.