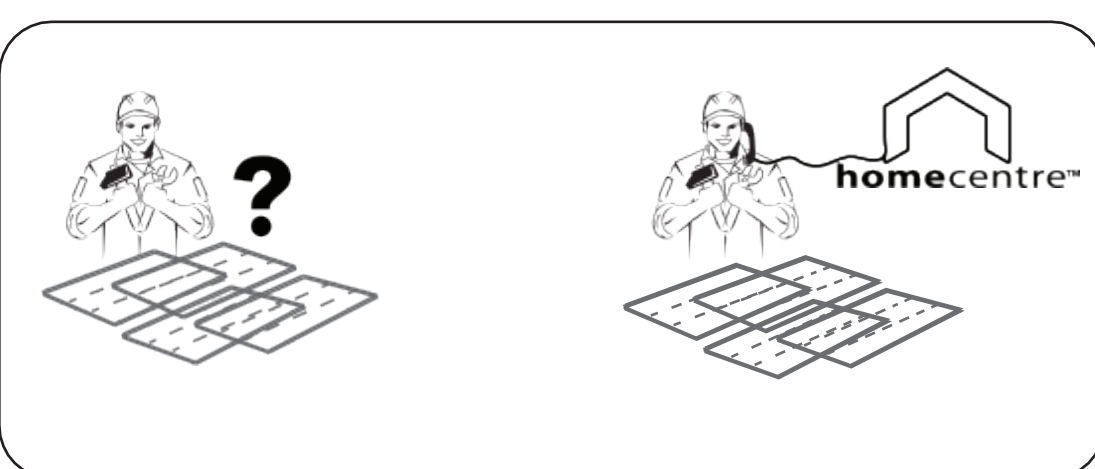
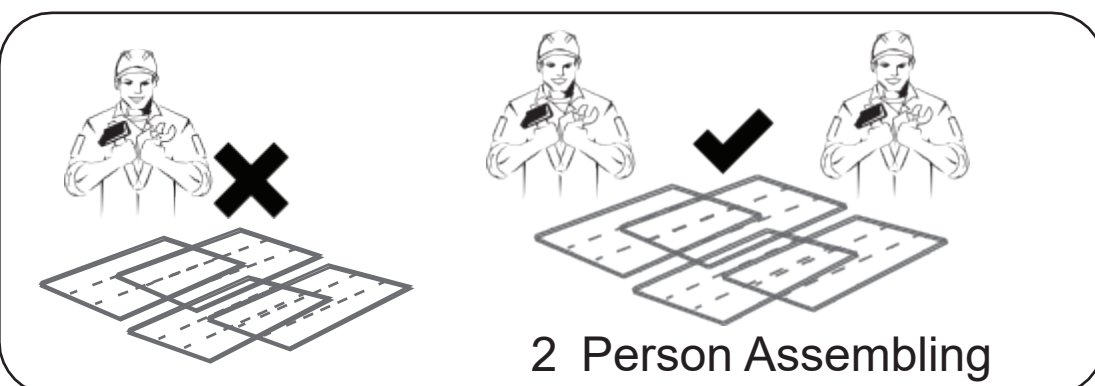
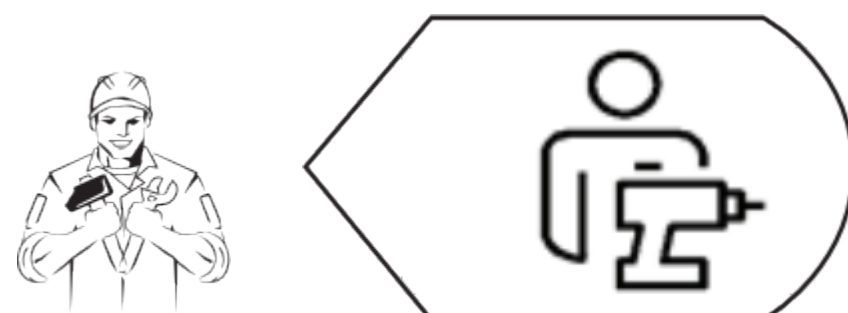


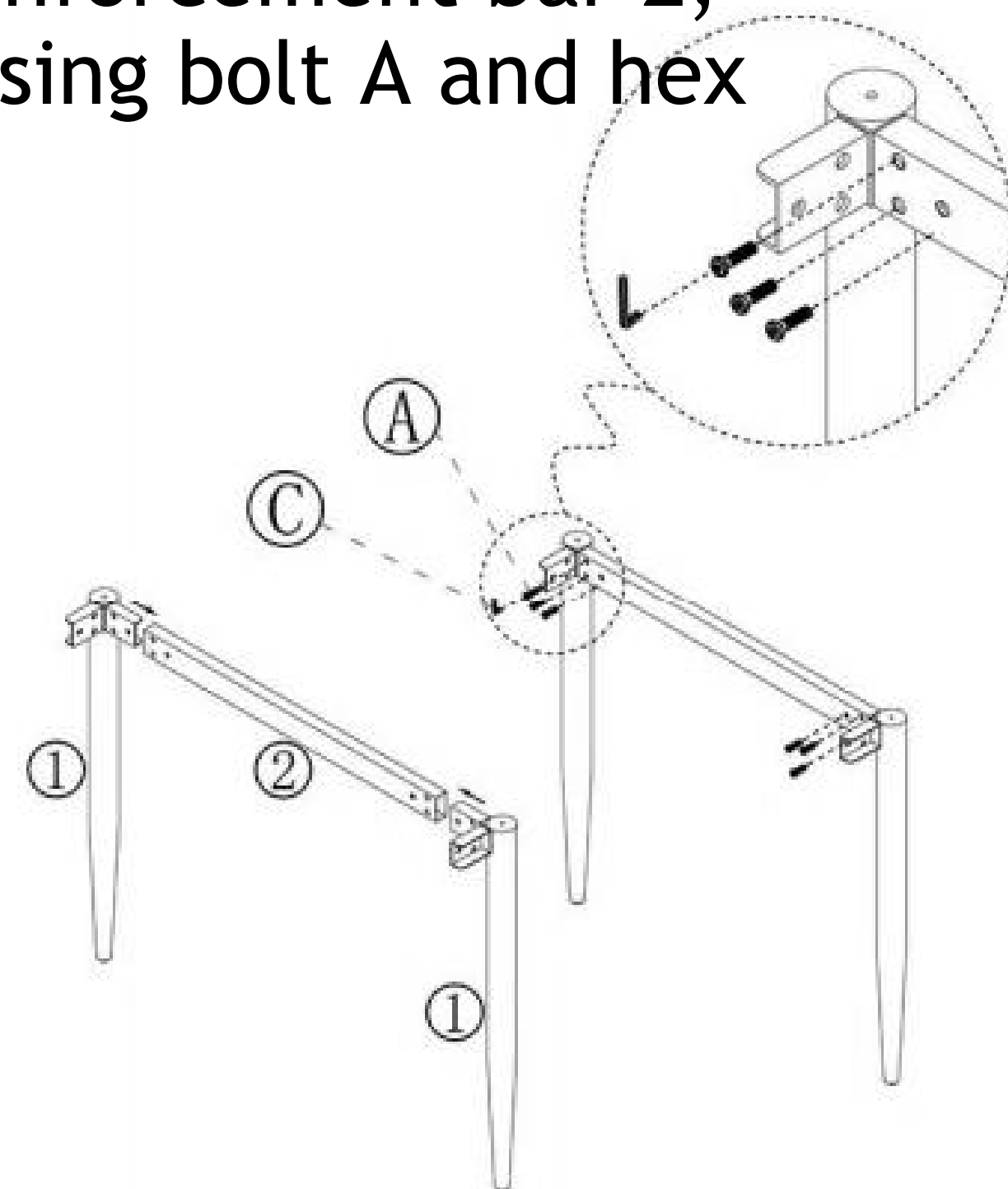
ASSEMBLY INSTRUCTION

PRODUCT NAME Table

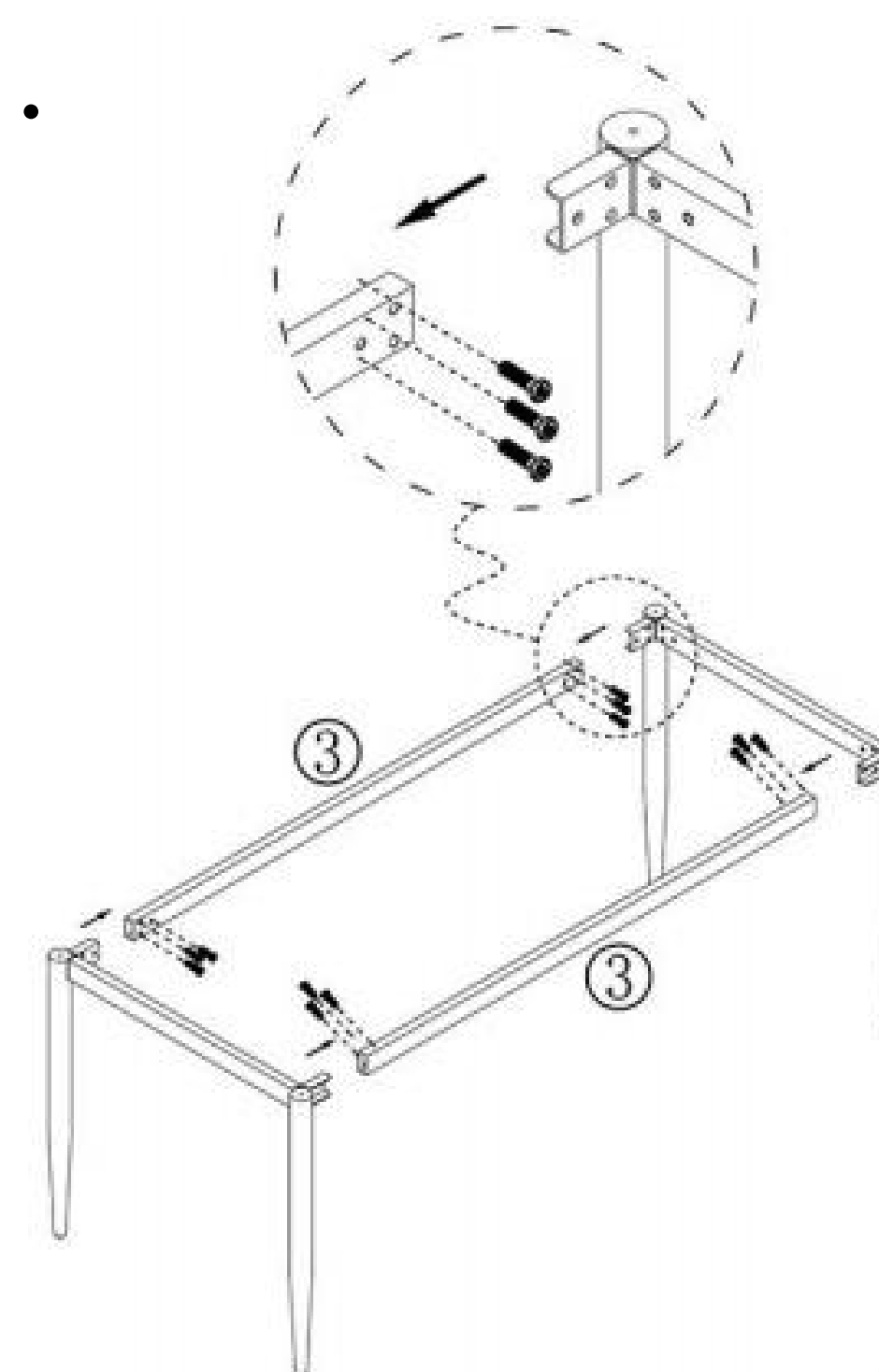
Thank you for purchasing this product. Please take time to read and follow the instructions below. Check that you have all parts and hardware before assembly. Parts apparently missing are often found in the packing materials. If you do not have all the parts listed, please contact customer service and they will assist you.



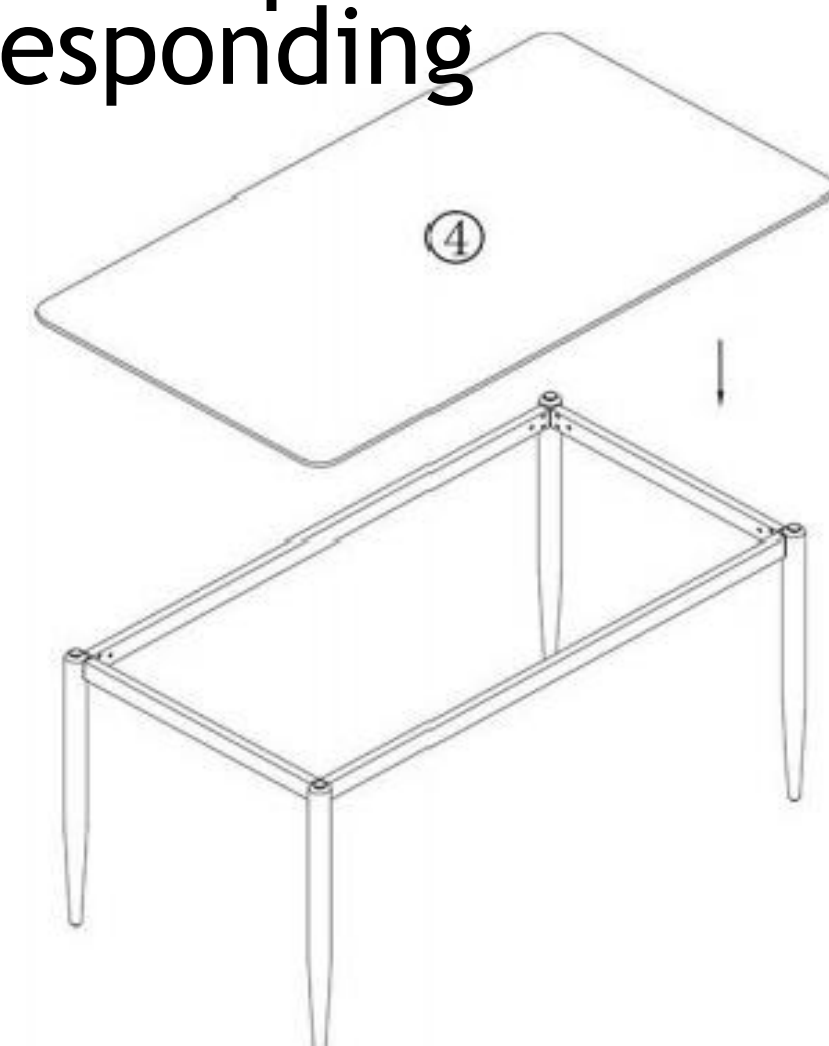
STEP - 1
Align one leg on each side with the short reinforcement bar 2, and install using bolt A and hex wrench C



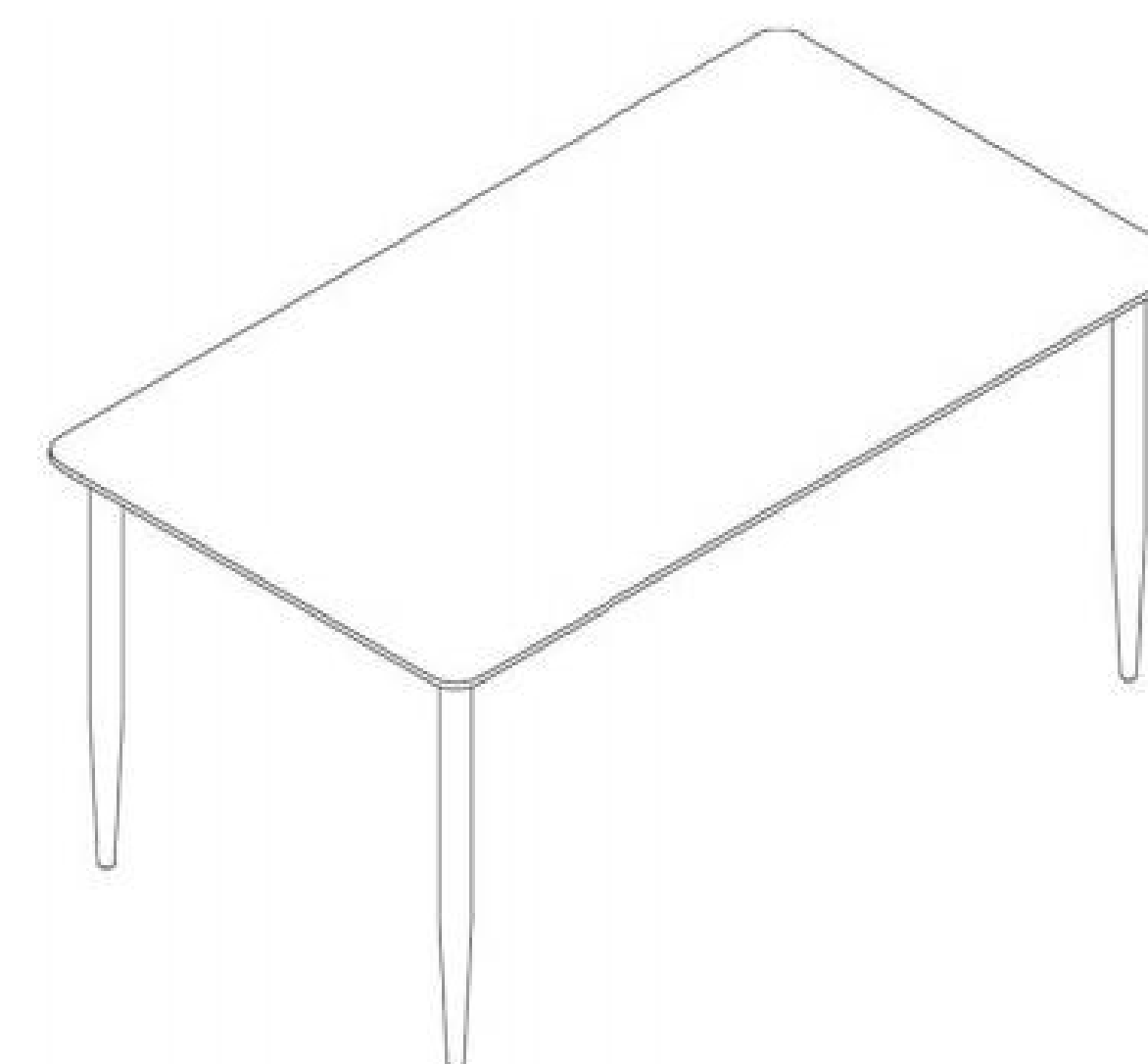
STEP - 2
Perform step 2 on the opposite leg as described in step 1.



STEP - 3
Align the completed leg frame with reinforcement bar (long) 3, and install using fastener bolt A and hex wrench C. The suction cup B is mounted on the corresponding hole position



STEP - 4
OK



PART LIST

PART NO.	PART PHOTOGRAPH	PART NAME
A		x4 Legs & x2 Reinforcement Strips (Short)
B		Reinforcement Rods (Long)
C		x1 Top Panel
D		A x 24 Mounting Bolts
E		B. x 4 Suction Cups
F		C. x 1 Hex Key

Care Instruction:

Please refer the user Manual and Care Instruction Document.