



ASSEMBLY INSTRUCTIONS



A

X 1PC

front leg



B

X 1PC

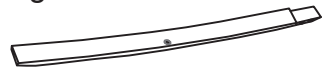
front leg



C

X 1PC

rear leg



D

X 1PC

rear leg



E

X 1PC

F

X 1PC



G

X 1PC



H

X 1PC



I

X 1PC

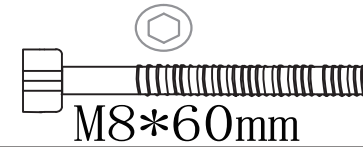


J



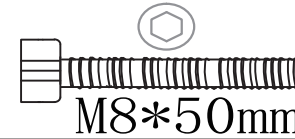
X 2PCS

K



X 4PCS

L



X 4PCS

M



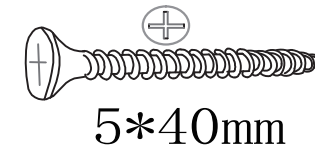
X 8PCS

N



X 8PCS

O



X 4PCS

P



X 4PCS

Q



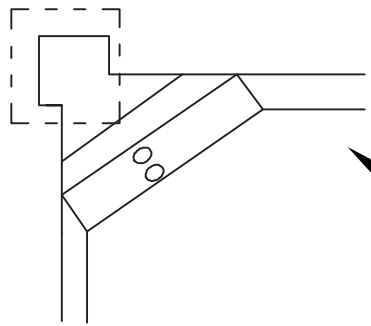
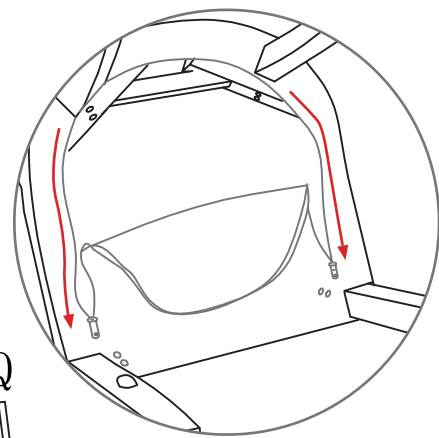
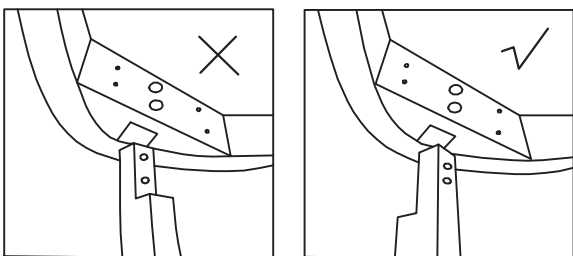
X 1PC

R

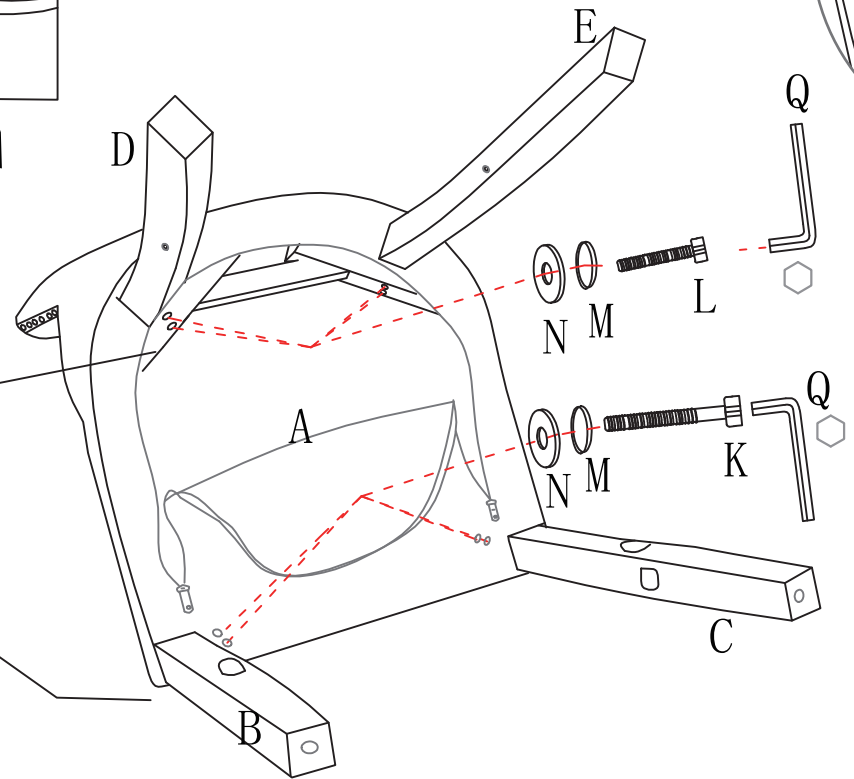


X 1PC

① 1.The legs are hidden under the seat frame.

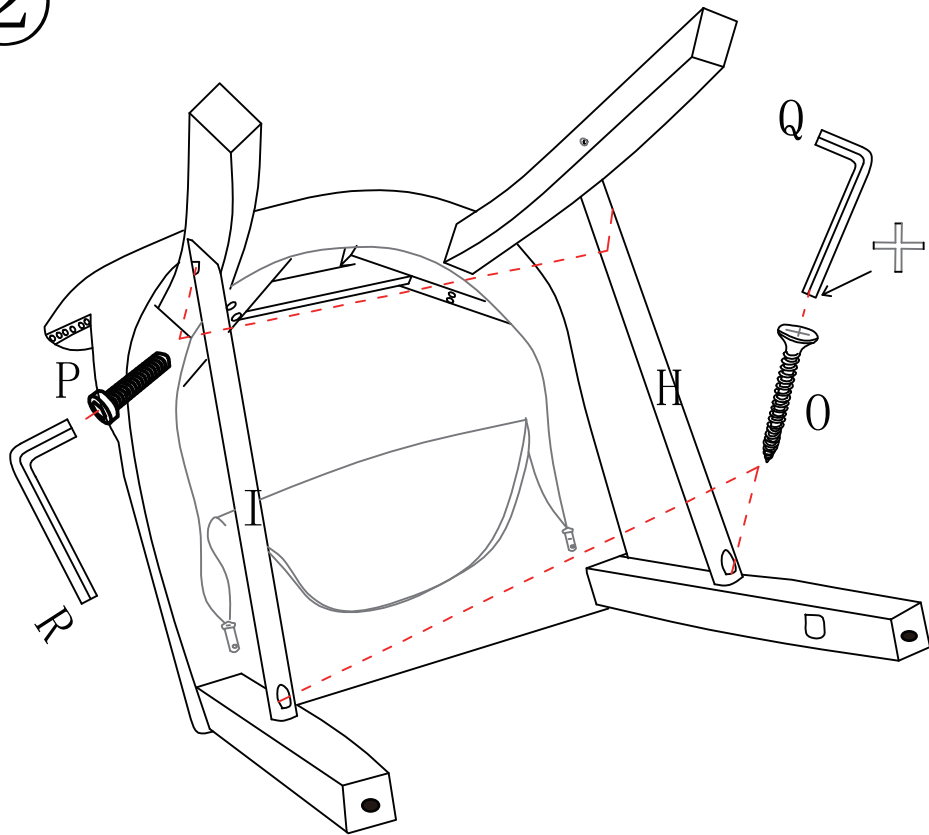


2. Put the front leg in the dotted box place; There are two holes on one front leg, and the one hole facing the back leg is higher up.



3.Tighten all the screws to 80% of maximum tightness.

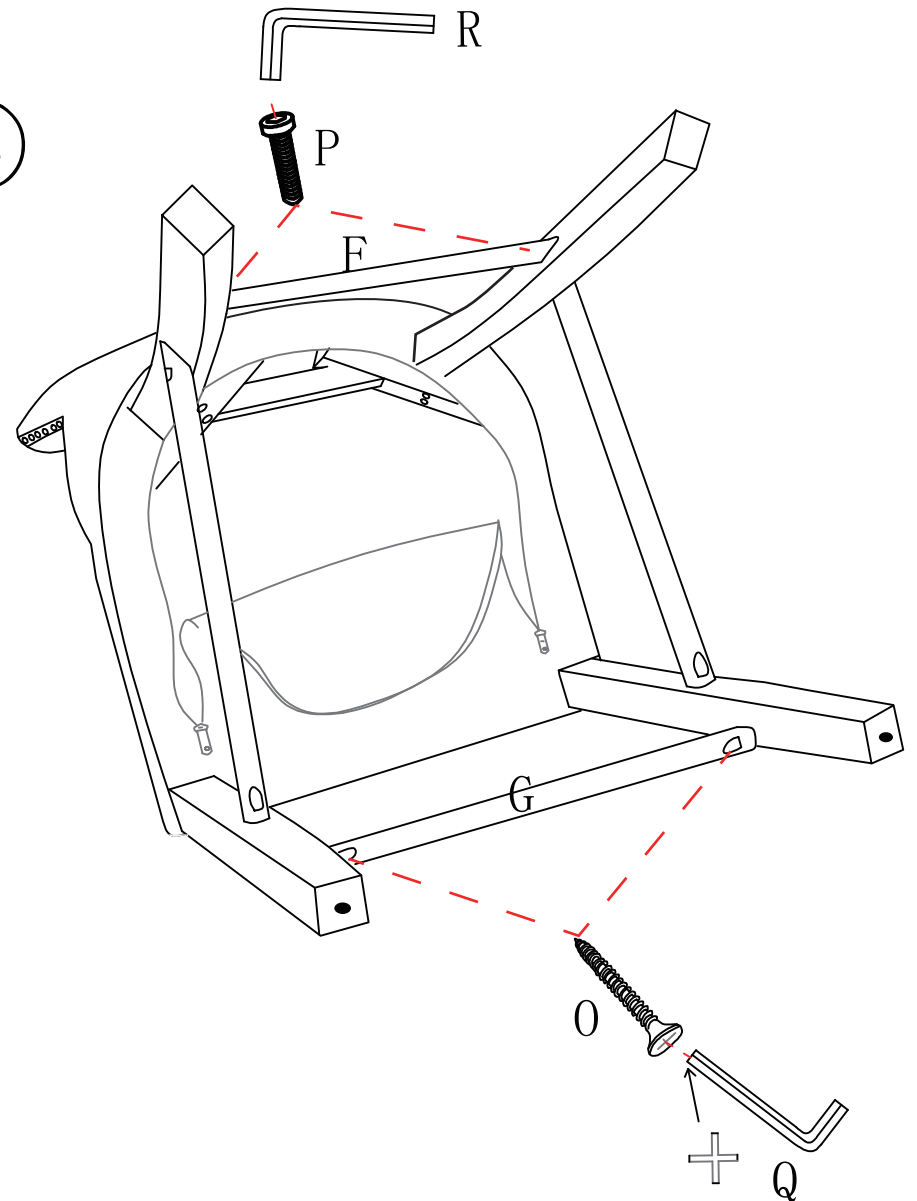
②



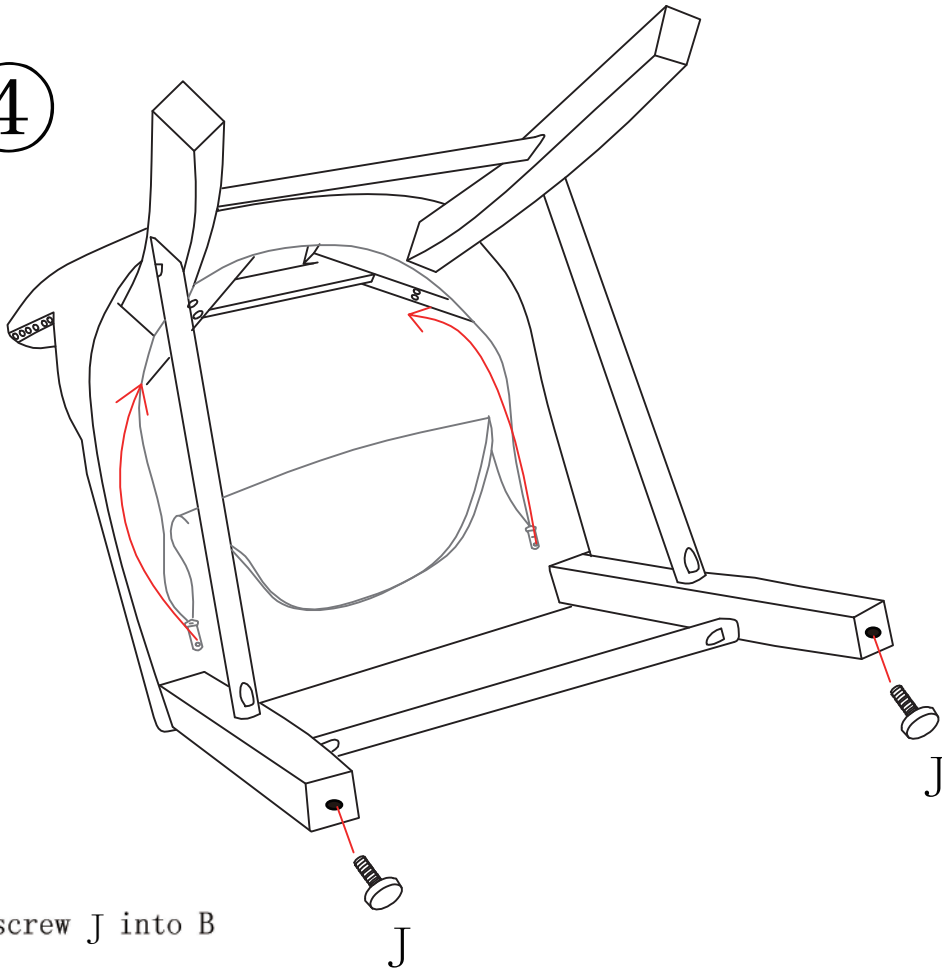
Caution: The bars H and I should be in horizontal position after installation. If not, the most possible reason is the rear feet were not installed correctly. Please check and swap the left and right rear feet.

Tighten all the screws to 80% of maximum tightness.

③



4



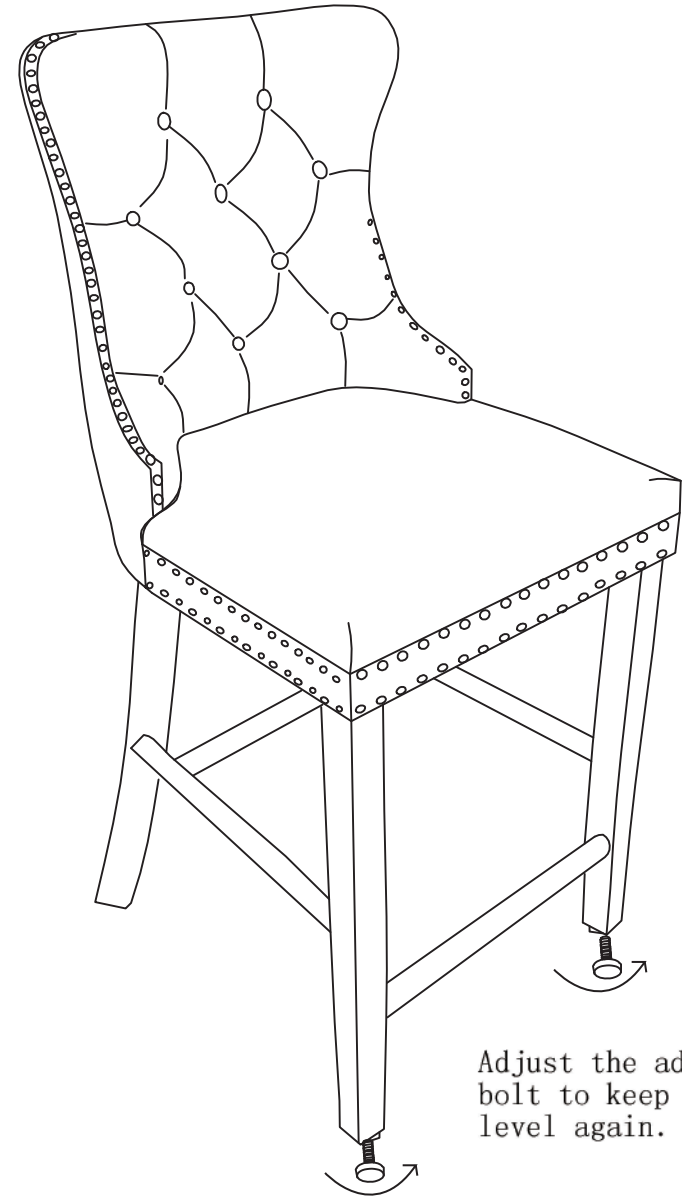
1. screw J into B

2. Carefully sit on the chair and make adjustments to ensure the legs are flat even on the floor.

3. Tighten all the screws to 100% of maximum tightness

4. Close the zipper of bottom Non-Woven fabric.

5



Adjust the adjuster bolt to keep the chair level again.

WARNING:

DO NOT STAND ON THE PRODUCT, DO NOT USE THIS PRODUCT AS A STEP LADDER.
DO NOT USE THIS PRODUCT UNLESS ALL BOLTS, SCREWS AND KNOBS ARE FIRMLY SECURED.
PLEASE DO NOT USE KNIFE TO OPEN ANY PARTS OF THE BOX OR PRODUCT.