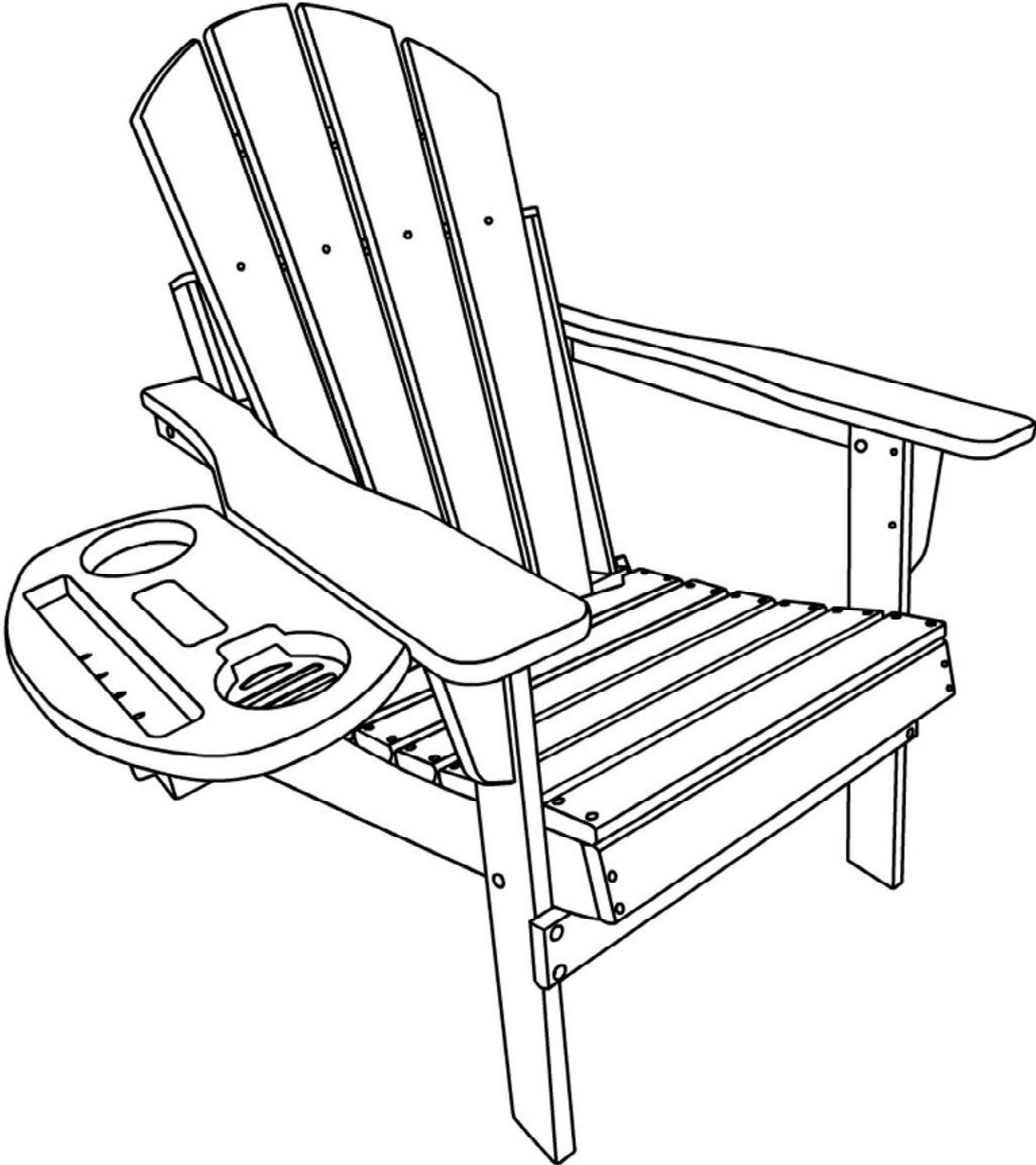


Outdoor Folding

Chair

Instruction Manual



Thank you

Thank you for choosing us.

We hope your new furniture helps create a gathering place for you and your loved ones to enjoy for many years to come!

Contact Us

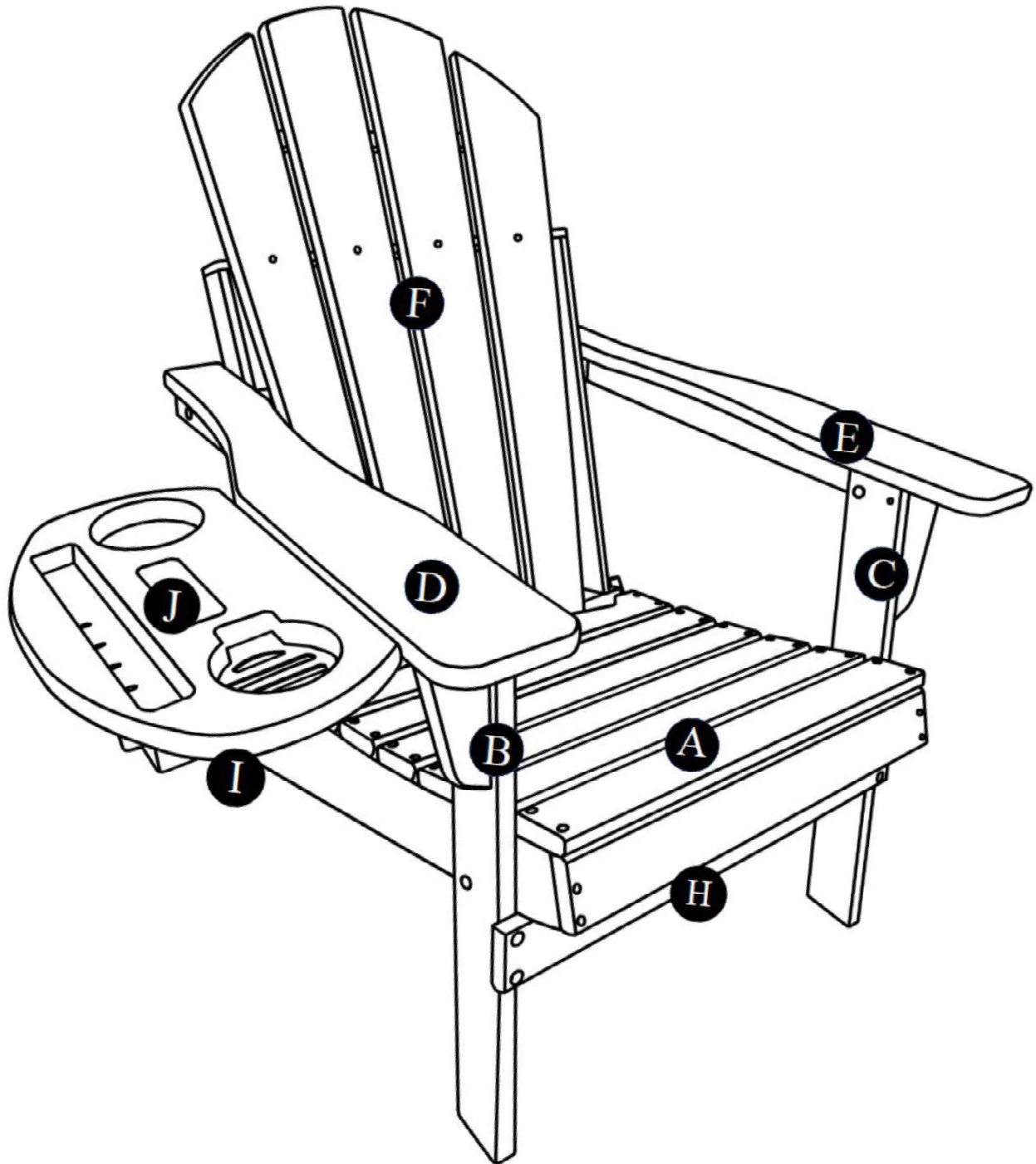
If you have any problem, please give us a chance to make it right for you!

Contact our friendly customer service department for help first. Replacements for missing or damaged parts will be shipped ASAP!

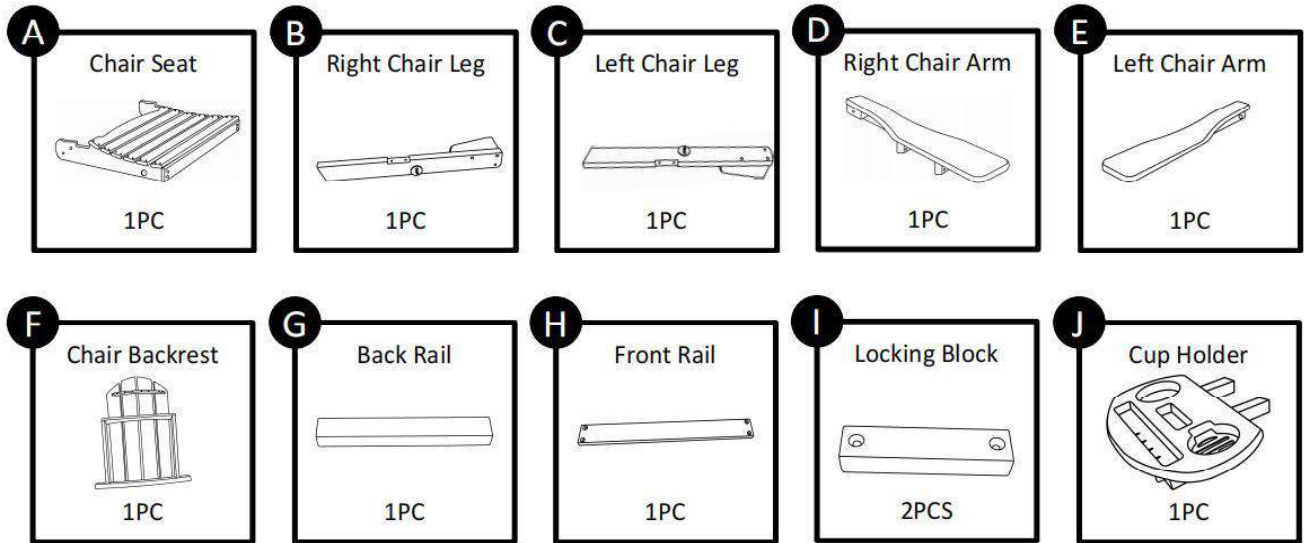
Before You Start

- Please read all instructions carefully.
- Retain instructions for future reference.
- Separate and count all parts and hardware.
- Read through each step carefully and follow the proper order.
- We recommend that, where possible, all items are assembled near to the area in which they will be placed in use, to avoid moving the product unnecessarily once assembled.
- Always place the product on a flat, steady and stable surface.
- Keep all small parts and packaging materials for this product away from babies and children.

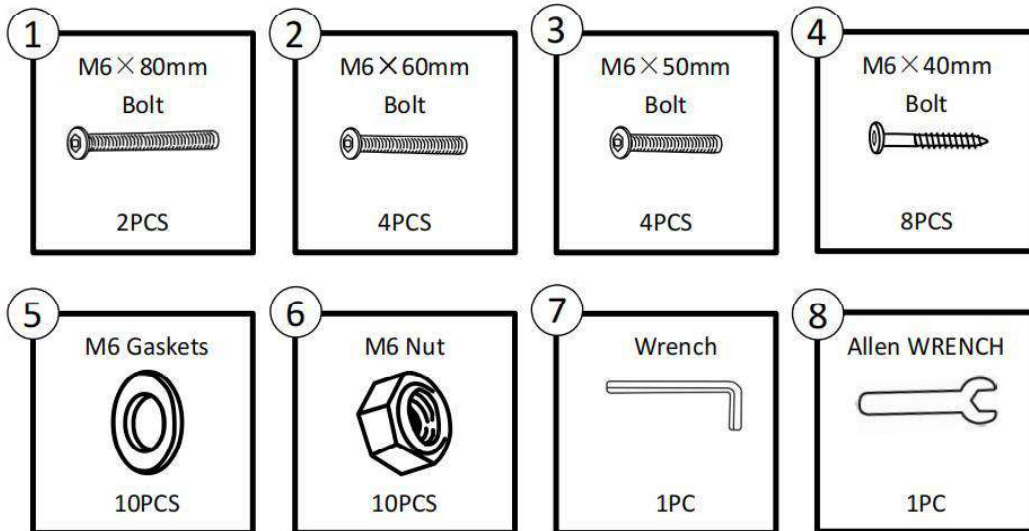
Assembly Procedure



PARTS LISTS



PARTS LISTS

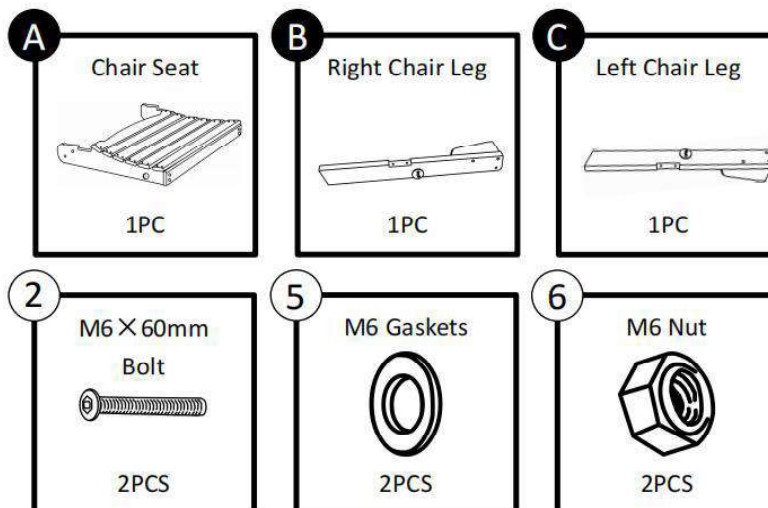
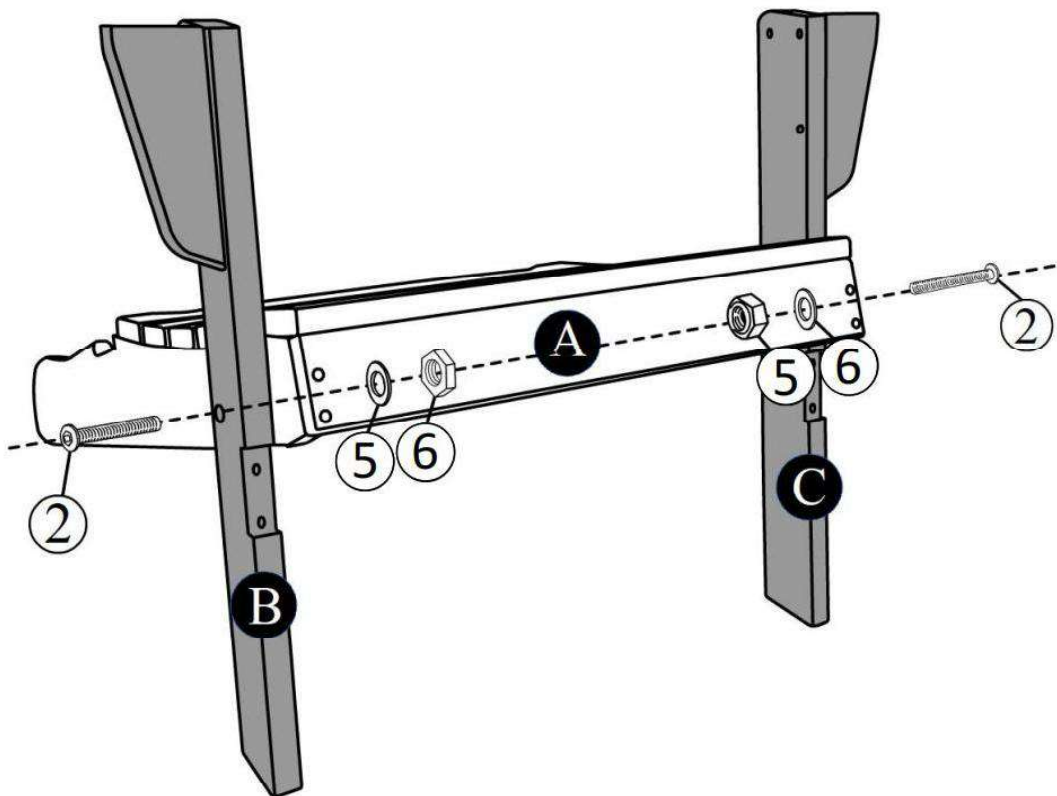


Step 1:

Assemble Part B&C to the PartA (seat panel)

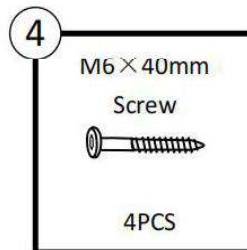
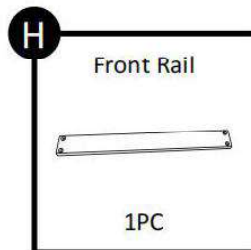
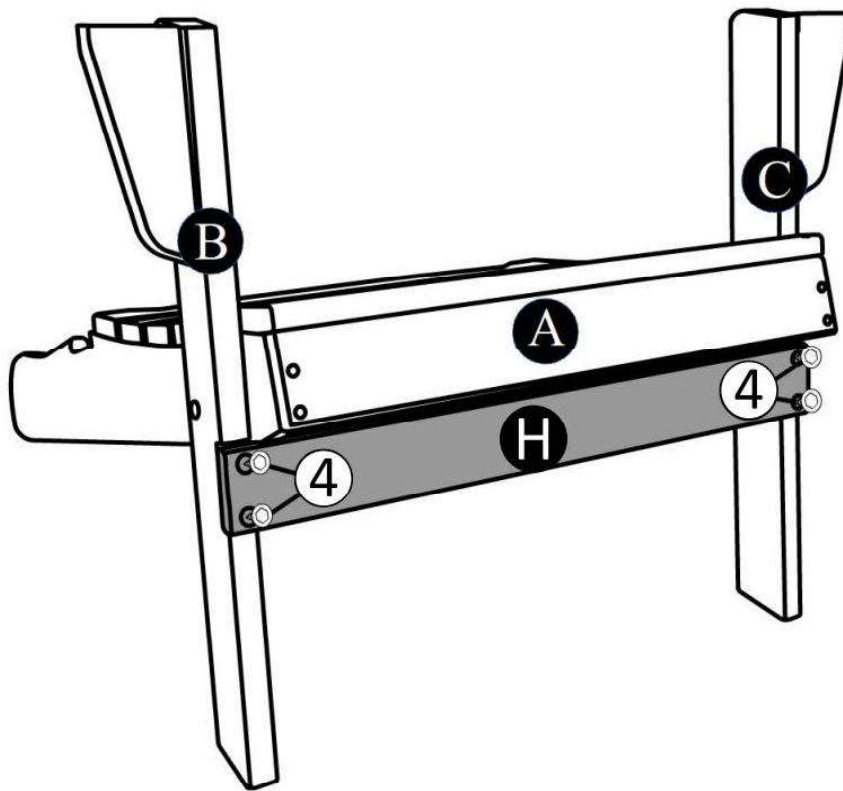
using Hardware#2,Washer#6,Nuts#5

Tighten the chain Bolts on both legs.



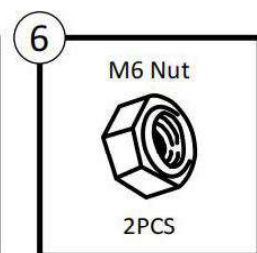
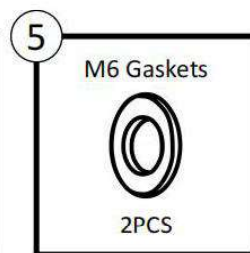
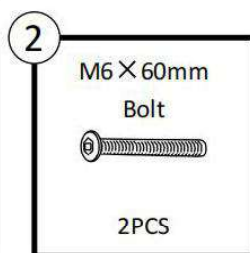
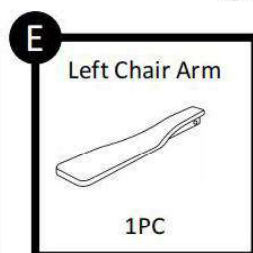
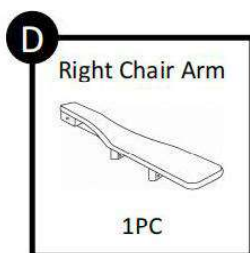
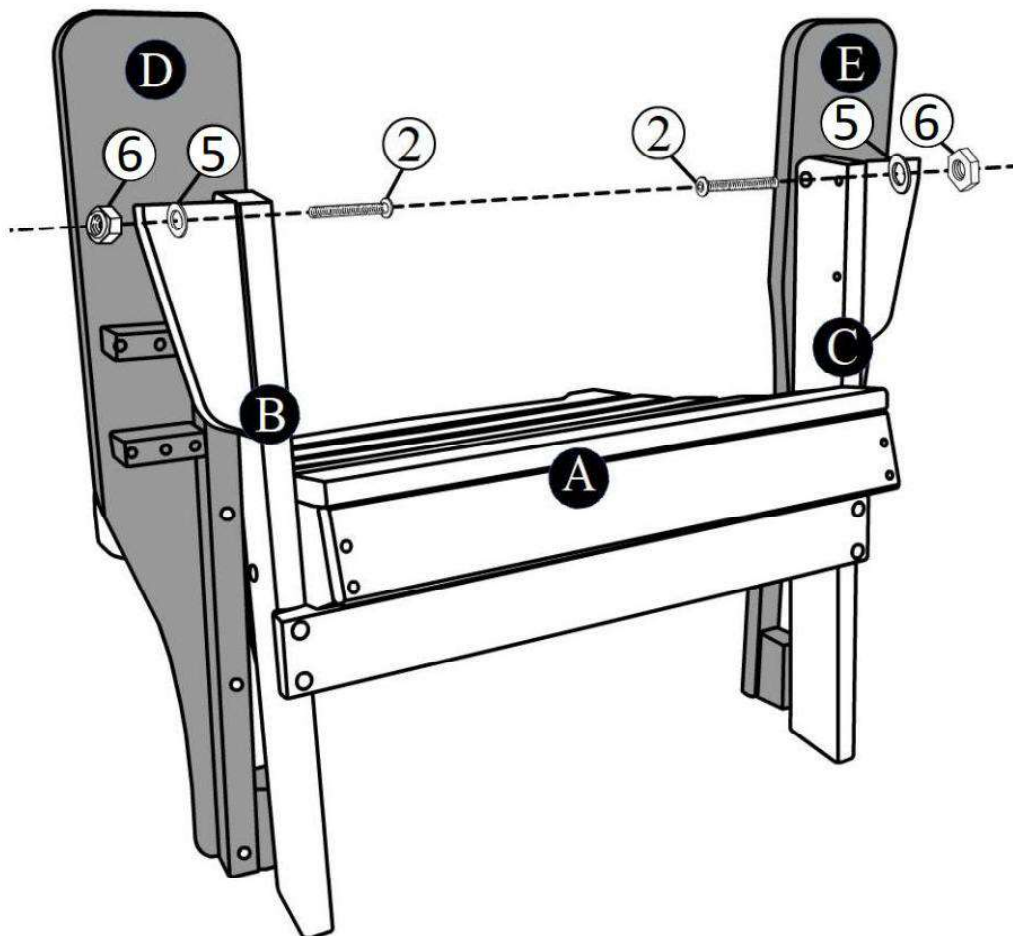
Step 2:

Secure Part H to Part B & C using Hardware#4



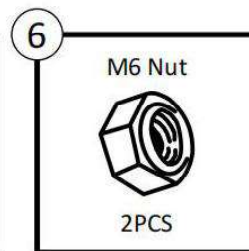
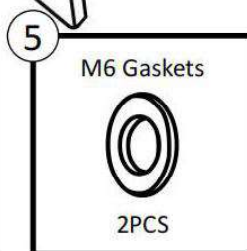
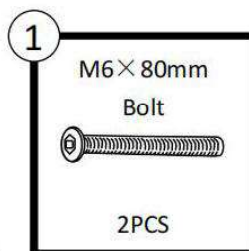
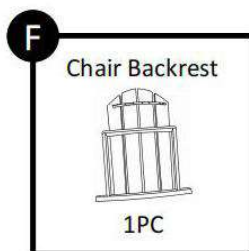
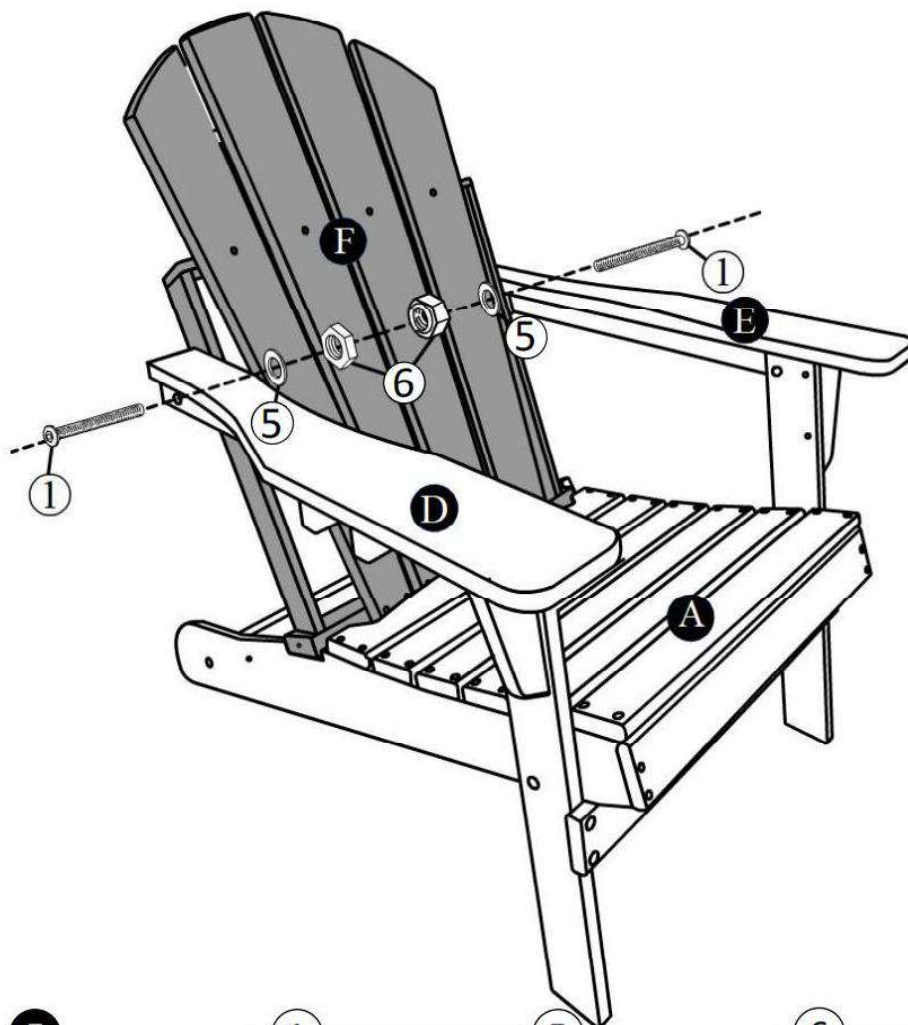
Step 3:

Assemble Part D(Right Arm) to the Right Leg,
Assemble Part E(Left Arm) to the Left Leg,
using Hardware#2,Washer#6,Nut#5



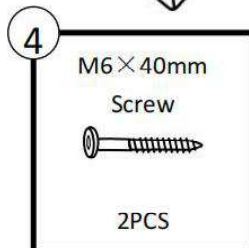
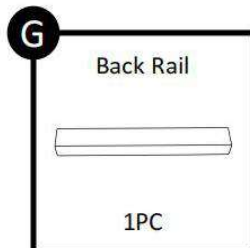
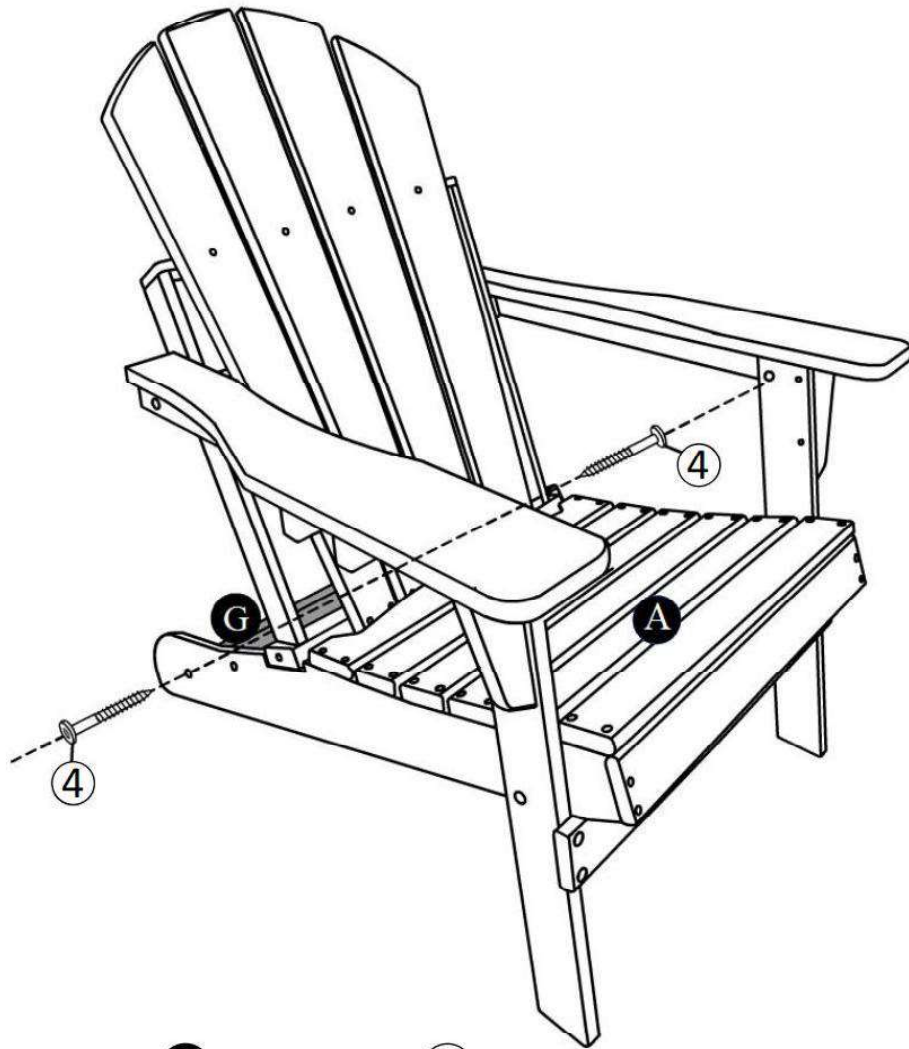
Step 4:

Assemble Part F(Back Panel) to the Armrests
using Hardware#1,Washer#6,Nuts#5



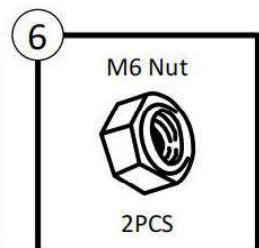
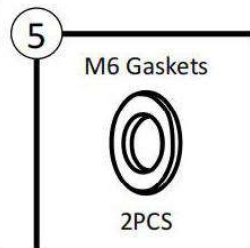
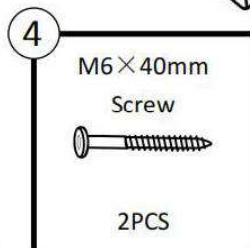
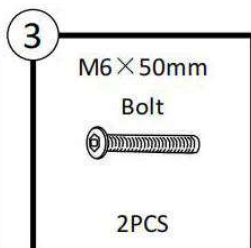
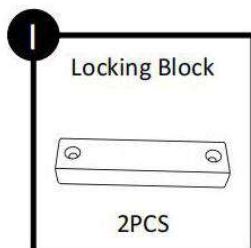
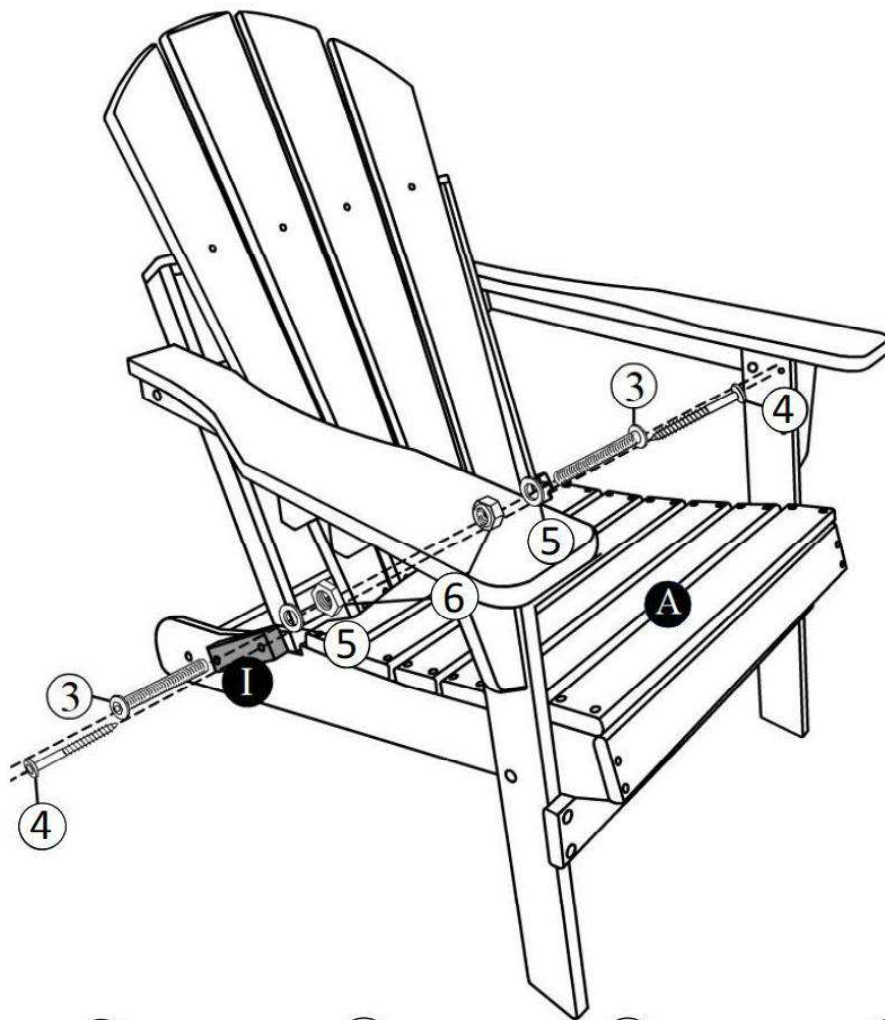
Step 5:

Connect Part G to the Seat Panel by using Hardware#4



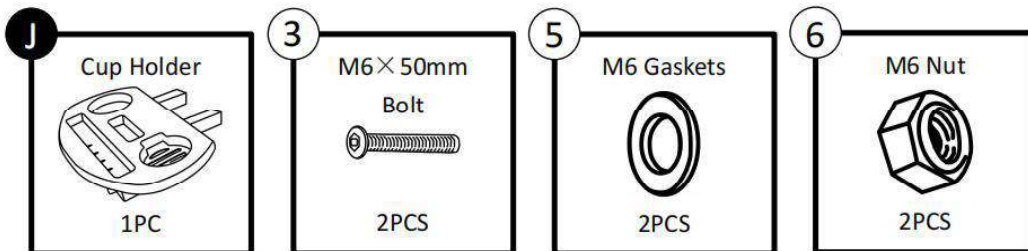
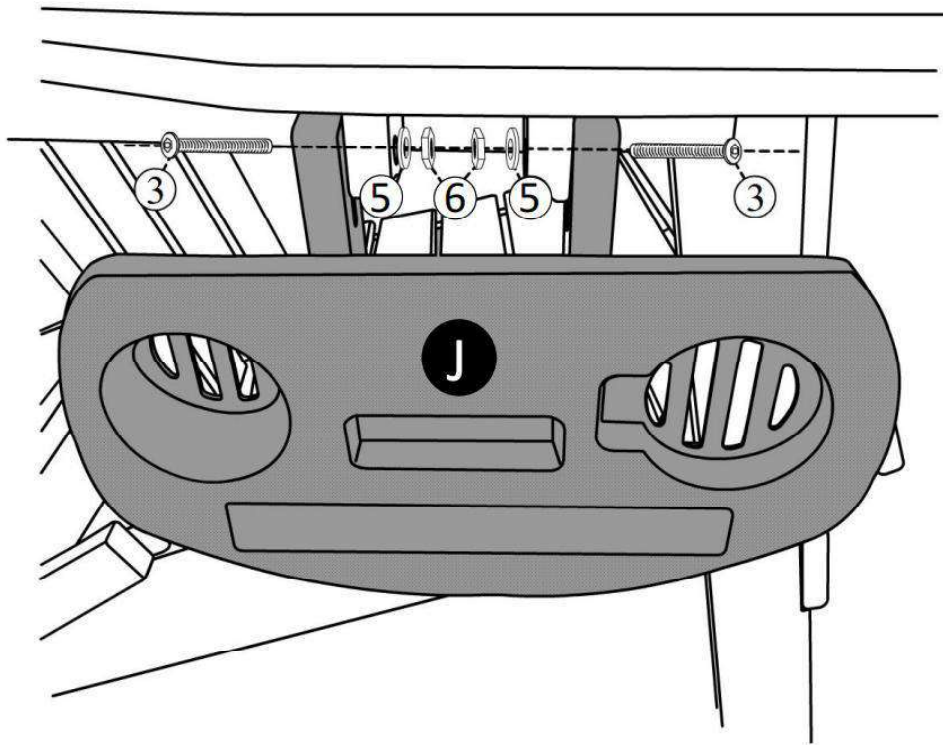
Step 6:

Secure the Upper-hole of Part I to the Back Panel using Hardware#4
Secure the Lower-hole of Part I to the Seat Panel using Hardware#3, Washer#5, Nuts#6



Step 7:

Secure Part J (4 in 1 Cup Holder Tray) to the Right Armrest, by using Hardware#3, Washer#5, Nuts#6



Step 8:

Fold and Unfold This Chair

