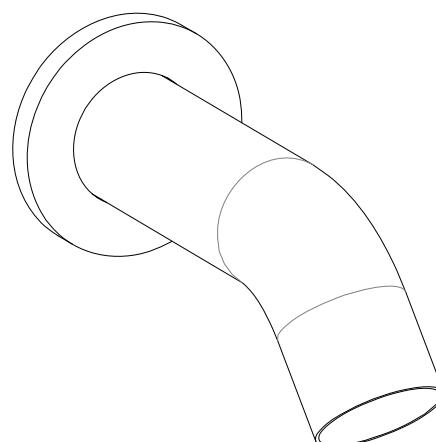
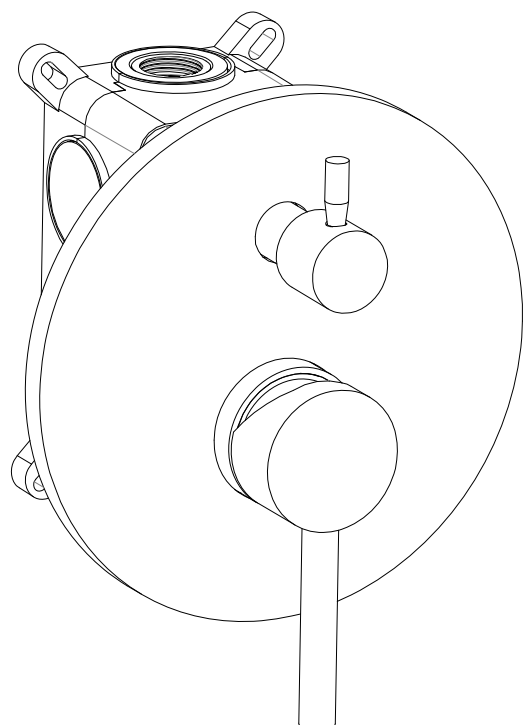


INSTALLATION GUIDE**TUB AND SHOWER FAUCET**

| MODEL | FINISH |
|---------|-------------------|
| S2132CI | CHROME |
| S2132NI | BRUSHED NICKEL |
| S2132OI | OIL RUBBER BRONZE |
| S2132GI | GOLD |
| S2132DI | MATTE BLACK |

HOT LINE: +1-866-203 0866

THANK YOU

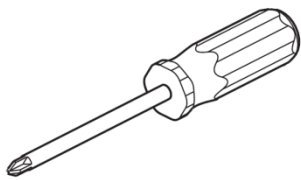
Dear Valued Customer,
SUMERAIN would like to take this opportunity to thank you for purchasing SUMERAIN products. It is our sincere hope that you are completely satisfied with your new purchase. All SUMERAIN products are carefully engineered, and factory tested to provide long trouble-free use under normal conditions. This product is easy to install using basic tools and our easy to follow illustrated instructions. We welcome any questions or comments you may have and look forward to assisting you in the future. If you have any questions regarding this product, call +1-866-203-0866 or email to [support@sumerain.com](mailto:supports@sumerain.com).

Sincerely,
SUMERAIN customer service department

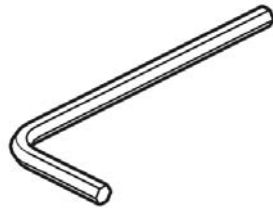
BEFORE PROCEEDING

1. Unpack your new product and ensure that all the parts are contained in the packaging. Keep the product in its original box until you ready to install it.
2. Locate water supply inlets and shut off the water supply valves. These are usually found near the water meter. if you are replacing an existing unit, remove the old unit and clean the mounting surface thoroughly.
3. Observe all plumbing and building codes in your area.
4. It is recommends calling professional if you are uncertain about installing this product.

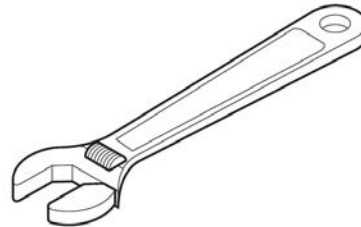
TOOLS RECOMMENDED



Philips screwdriver



Allen wrench



Adjustable wrench



Channel locks



Thread Sealant

LIMITED LIFETIME CONSUMER WARRANTY

VERSION: 140320.15.3

This product has been manufactured and tested to the highest quality standards by SUMERAIN sanitary Inc("SUMERAIN").This warranty is limited to SUMERAIN products which are purchased by a consumer in the China after Jan 1,2010 and installed in China or the state which has SUMERAIN technical support department locally.(visit <http://www.sumerain.com/en/supportcenter.asp> for review the state list of SUMERAIN technical support department).If the faucet should leak or drip during normal use,SUMERAIN will, free of charge, mail to the purchaser the cartridge necessary to put the faucet in good working condition. If a defect is found in normal residential use, SUMERAIN will, at its election, repair, provide a replacement part or product, or make appropriate adjustment.

WHO IS COVERED BY THE WARRANTY

This warranty extends to the original consumer purchaser only (exclusive online retail original customer, online retail original customer cover by the "Online CONSUMER Limited Lifetime WARRANTY & Return policy"), This warranty is not-transferable.

WHAT IS COVERED BY THE WARRANTY

This warranty covers only your SUMERAIN manufactured product. SUMERAIN warrants this product against defects in material or workmanship as follows: SUMERAIN will repair at no charge for parts only or, at its option, replace any product or part of the product that proves defective because of improper workmanship and/or material, under normal installation, use, service and maintenance. If SUMERAIN unable to provide replacement, SUMERAIN may elect to provide similar model upon close value.

FINISH WARRANTY

It is the responsibility of the customer to check for any material finish defects before installation. SUMERAIN doesn't warranty these finishes after the fixture has been installed.

ELECTRONIC FAUCETS WARRANTY

SUMERAIN warrants that its electronic faucets, valves and controls to be free from manufacturing defects in material and workmanship under normal use for three(3) years from the date of purchase and waterflow impeller-dynamo (generate power for LED faucet) for six(6) months from the date of purchase.

LENGTH OF WARRANTY

Replacement or repaired parts of products will be covered for the term of this warranty as stated in the following two sentences, if you are a consumer who purchased the product for use primarily for personal,family,or household purposes, this warranty extends for 5 years since the product originally installed (Extend max 1 month From the date of purchase).if you purchased the product for use primarily for any other purpose,including,without limitation, a commercial purpose or is installed outside of China, or if the finish is gold, non-Vibrant or a painted or powder coated color finish this warranty extends only for one year, with respect to SUMERAIN and commercial products.

THIS WARRANTY DOES NOT COVER, AND SUMERAIN WILL NOT PAY FOR:

- A. Conditions, malfunctions or damage not resulting from defects in material or workmanship.
- B. Conditions, malfunctions or damage resulting from normal wear and tear, improper installation, improper maintenance, misuse, abuse,negligence,accident or alteration or the use of abrasive or caustic cleaning agents or "no-rinse" cleaning products, or the use of the product in any manner contrary to the product instructions. Conditions in the home such as excessive water pressure or corrosion.
- C. Labor or other expenses for the disconnection, deinstallation, or return of the product for warranty service, or for installation or reinstallation of the product.
- D. Accessories, connected materials and products (including but not limited in handshower flexible hose, spray flexible hose, handshower), or related products not manufactured by SUMERAIN

TO OBTAIN WARRANTY PARTS OR INFORMATION

Contact your SUMERAIN retailer or contact technical service at: supports@sumerain.com

In requesting warranty service, you will need to provide

1. The sales receipt or other evidence of the date and the place of purchase.
2. A description of the problem (Download URL: <http://www.sumerain.com/download/servicerequest/sheet.pdf> and fill out the Service Request Sheet).
3. Delivery of the product or the defective part, postage prepaid and carefully packed and insured to :
SUMERAIN FACTORY SUPPORT CENTER ,25 Building,Tangkou industrial park,Shuikou Town,Jiangmen Kaiping city,
Guangdong province,China 529301

When warranty service is completed, any repaired or replacement product or part will be returned to you postage prepaid.

EXCLUSIONS AND LIMITATIONS

Repair or replacement (or, in limited circumstances, refund of the purchase price) as provided under this warranty is the exclusive remedy of the purchaser. SUMERAIN neither assumes nor authorizes any person to create for it any obligation or liability in connection with this product.SUMERAIN shall not be liable to purchaser or any person for any incidental, special, or consequential damages, arising out of breach of this warranty or any implied warranty (including merchantability) Some states do not allow the exclusion or limitation of incidental or consequential damages, so the above limitation or exclusion may not apply to you. This warranty gives you specific legal right, and you may have other rights which vary from state to state. You may be required by law to give us a reasonable opportunity to correct or cure any failure to comply before you can bring any action in court against us under the Magnusson-moss warranty Act.

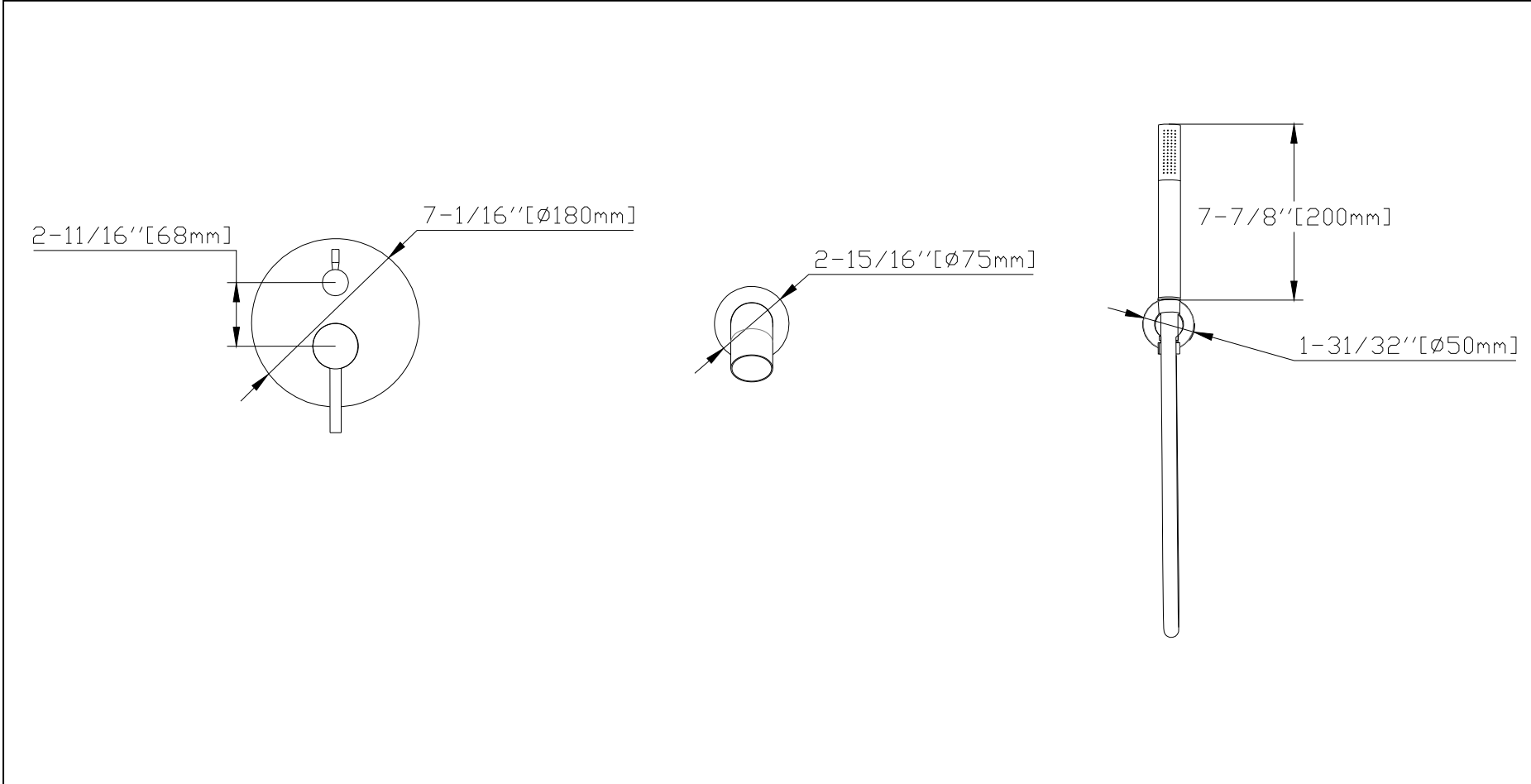
PRODUCT INSTRUCTIONS AND QUESTIONS

Upon purchase or prior to installation, please carefully inspect your SUMERAIN product for any damage or visible defect. Prior to installing, always carefully study the enclosed instructions on the proper installation and the care and maintenance of the product. if you have questions at any time about the use,installation,or performance of your SUMERAIN product, or this warranty, please call or email us at +1-866-2030-0866, supports@sumerain.com

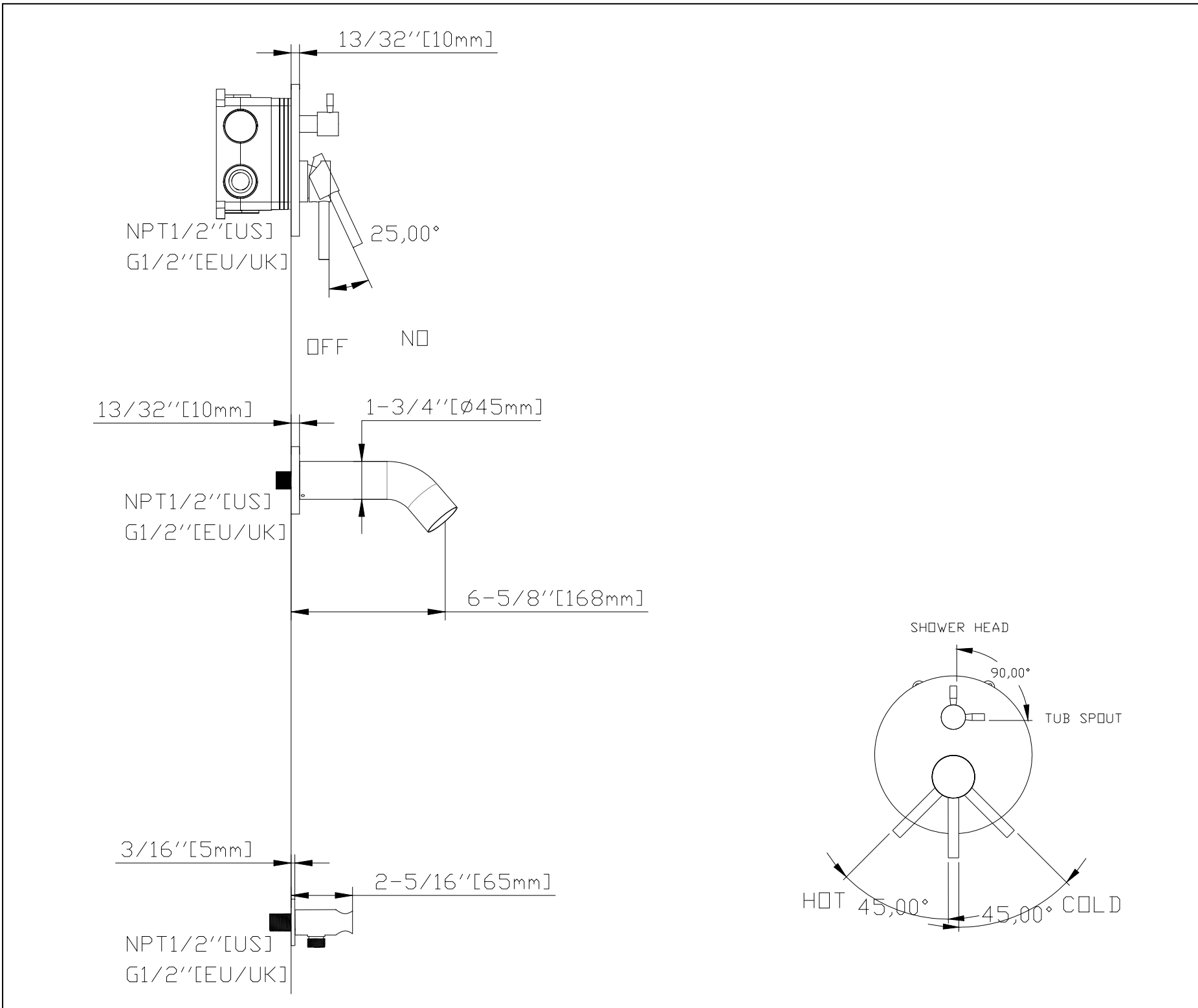
FUNCTIONS AND SPECIFICATION

| | |
|--------------------------------|--|
| Faucet type | Tub and Shower Faucet |
| Feature | Concealed tub and shower faucet |
| Theme | Modern, Contemporary |
| Mounting type | Wall mount |
| Number of Handles | One |
| Handles Material | Metal |
| Handle style | Lever |
| Valve Type | Φ 40 Ceramic Cartridge |
| Faucet Body Material | Brass |
| Escutcheon Material | Brass |
| Diverter included | Yes |
| Diverter location | Rough-in Valve |
| Spout Max Flow rate | 30.0L/M [7.92 GPM] |
| Spout Material | Brass |
| Spout Reach | 6-5/8 Inch [168mm] |
| Spout width | 1-3/4 Inch [45mm] |
| Net Weight | 6,72lbs [3,05KG] |
| Gross Weight | 7,71lbs [3,5KG] |
| Packing box [L x W x H] | 11-1/4"[285mm]x10-13/16"[275mm]x7-7/8" [200mm] |

DIMENSION



FRONT VIEW OF SHOWER



SIDE VIEW OF SHOWER

INSTALLATION STEPS

1. BEFORE PROCEEDING



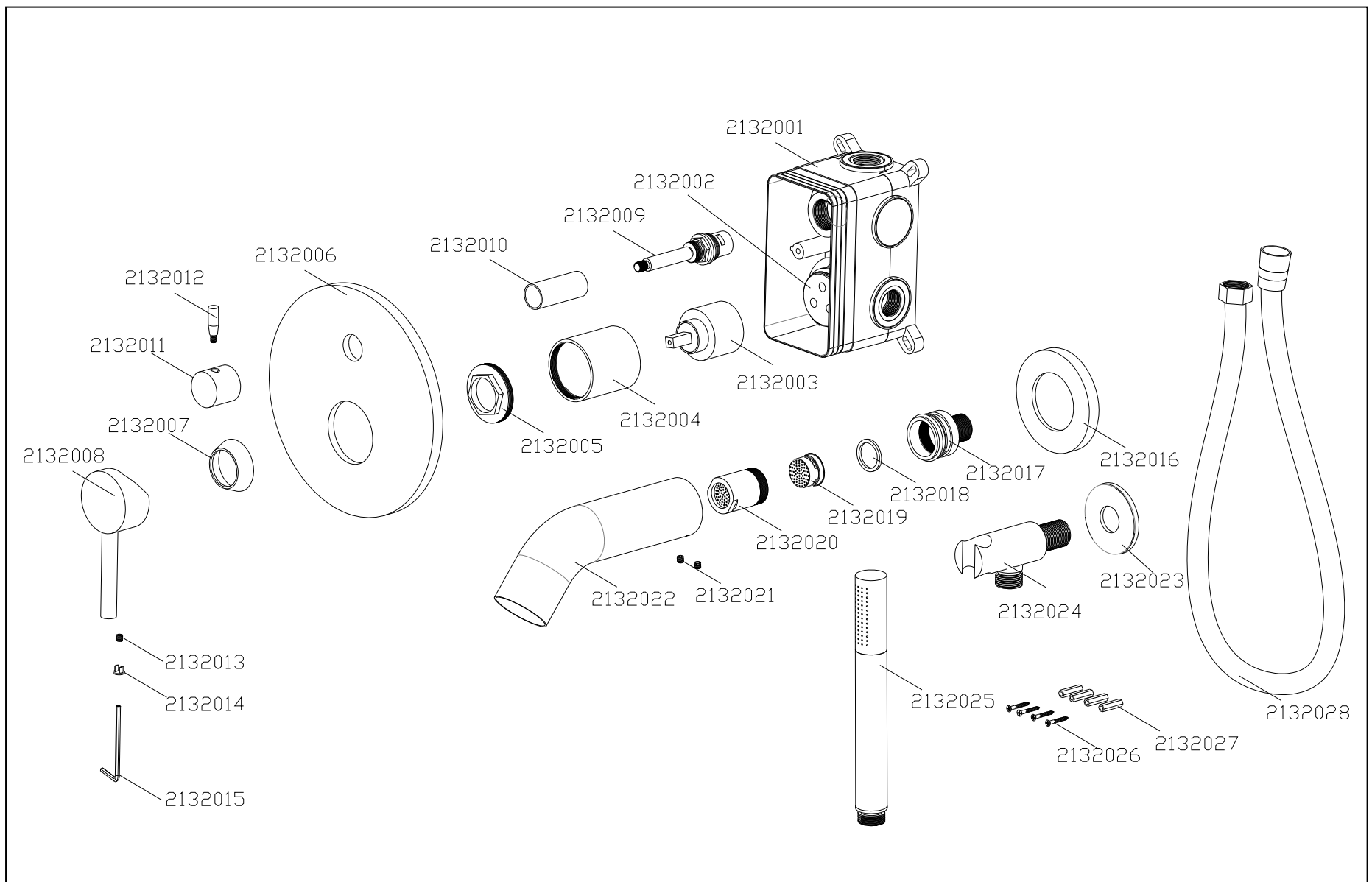
WARNING: Read all the instructions completely before proceeding. SUMERAIN recommends calling a professional if you are uncertain about installing this product!, this product should be installed in accordance with all local and state plumbing and building codes.

2. SHUT OFF WATER SUPPLY

Locate water supply inlets and shut off the water supply valves. These are usually found near the water meter. if you are replacing an existing unit, remove the old unit and clean the mounting surface thoroughly.

3. CHECKING THE CONTENTS OF THE BOX

Upon opening the box, check to ensure that all the following items are included.



| CODE | ITEM NAME | QTY | CODE | ITEM NAME | QTY |
|---------|---------------------|-------|---------|---------------------|-------|
| 2132001 | Concealed Box | 1 PCS | 2132002 | Rough-in valve | 1 PCS |
| 2132003 | Φ40 cartridge | 1 PCS | 2132004 | Sleeve | 1 PCS |
| 2132005 | Bonnet nut | 1 PCS | 2132006 | Escutcheon | 1 PCS |
| 2132007 | Flange | 1 PCS | 2132008 | Handle(lever) | 1 PCS |
| 2132009 | Diverter cartridge | 1 PCS | 2132010 | Diverter sleeve | 1 PCS |
| 2132011 | Diverter knob | 1 PCS | 2132012 | Diverter knob lever | 1 PCS |
| 2132013 | Set screw | 1 PCS | 2132014 | Screw cover | 1 PCS |
| 2132015 | Allen wrench 2.8mm | 1 PCS | 2132016 | Tub spout flange | 1 PCS |
| 2132017 | Spout supply nipple | 1 PCS | 2132018 | Washer | 1 PCS |
| 2132019 | Aerator | 1 PCS | 2132020 | Aerator lock nut | 1 PCS |
| 2132021 | Set screw | 2 PCS | 2132022 | Tub spout | 1 PCS |
| 2132023 | Shower elbow flange | 1 PCS | 2132024 | Shower elbow | 1 PCS |
| 2132025 | Hand shower | 1 PCS | 2132026 | Mounting screw | 4 PCS |
| 2132027 | Anchor | 4 PCS | 2132028 | Hand shower hose | 1 PCS |

If any of these items are missing, please contact SUMERAIN consumer service by email to: supports@sumerain.com

4. PLANNING AND INSTALLATION INSTRUCTIONS



Attentions: The shower has to be installed, rinsed and checked in compliance with the applicable regulations in order to guarantee proper shower function!

The dimensions of the shower set-up must be individually.

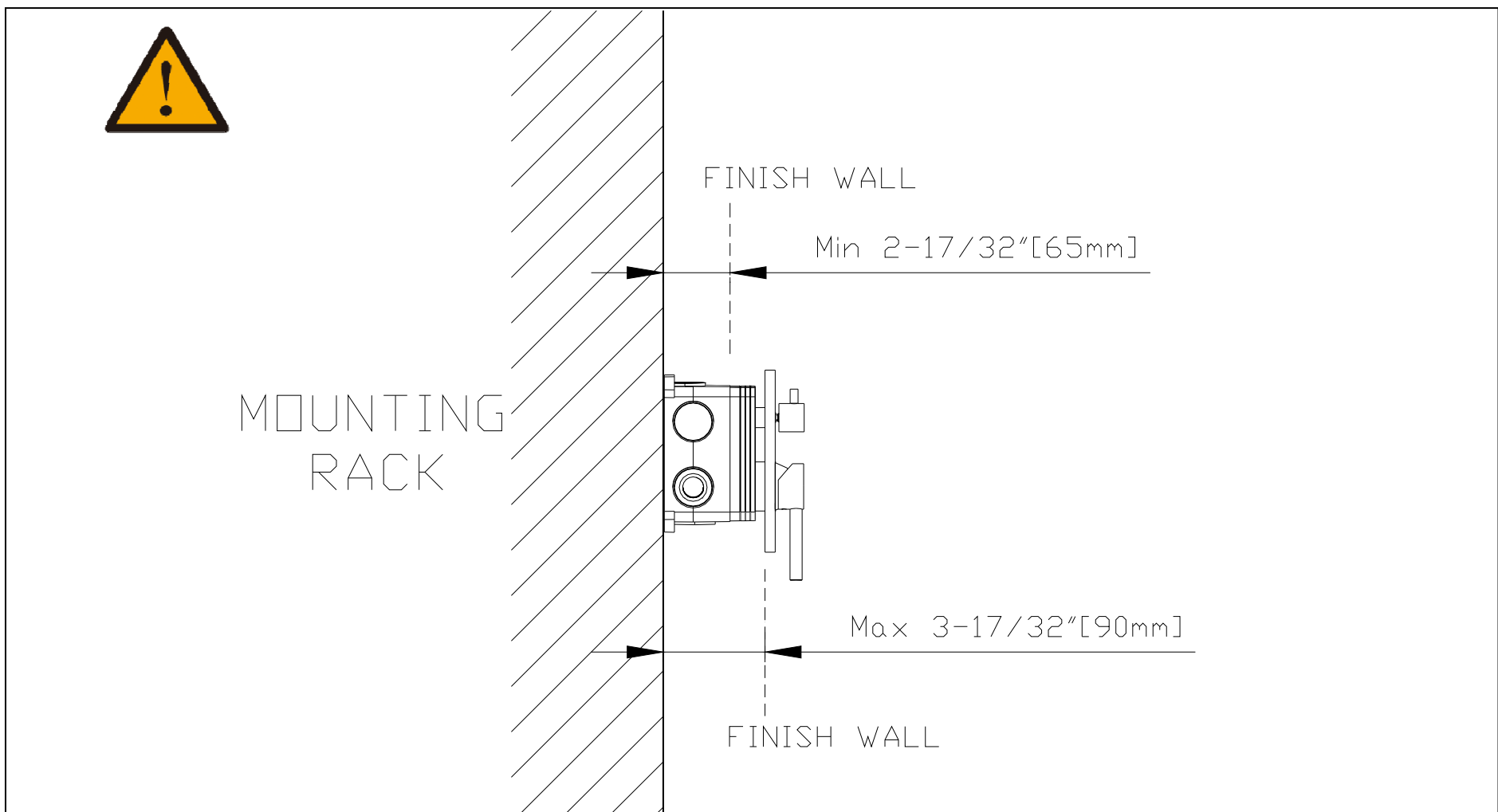
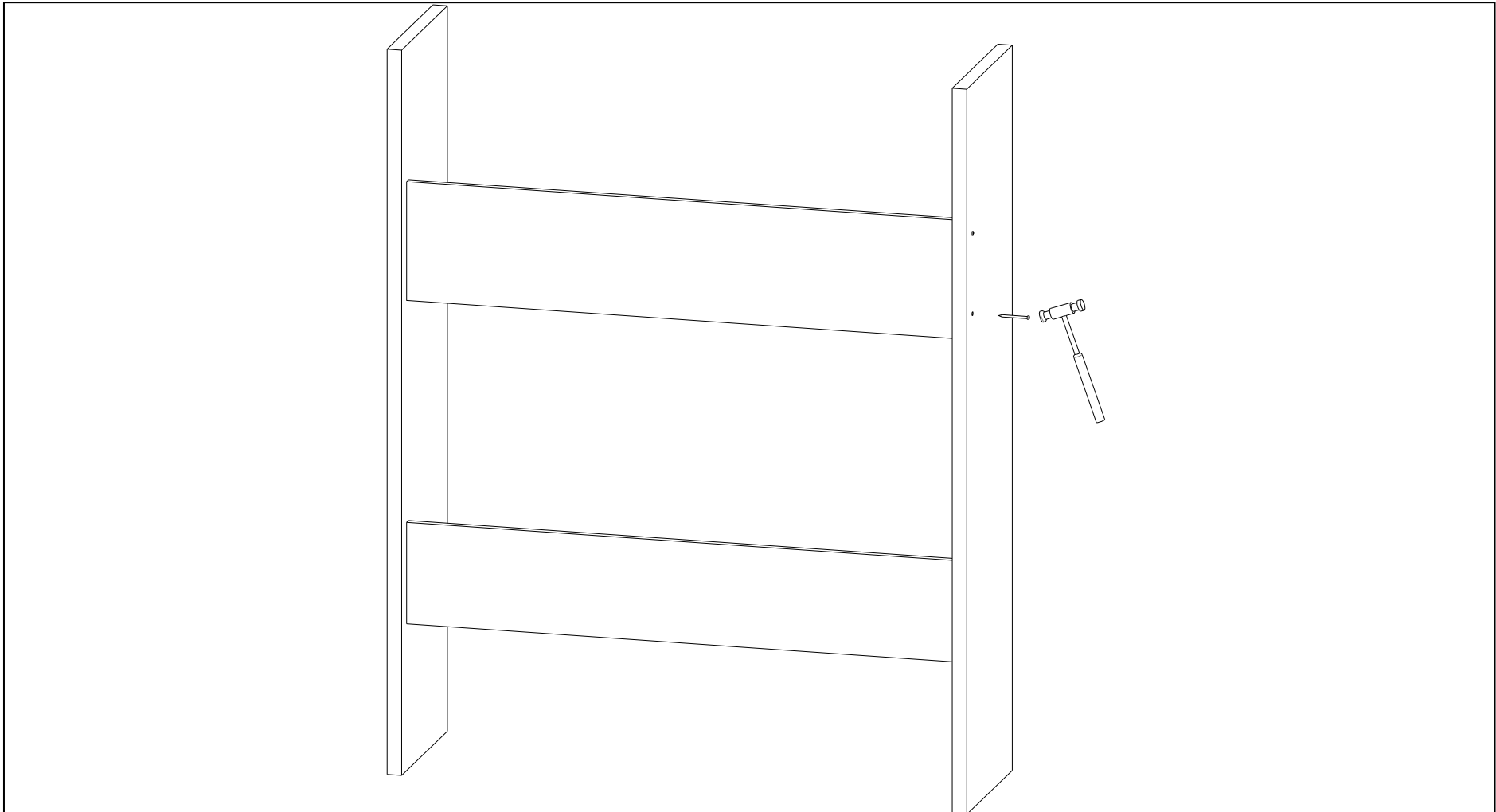
Operating pressure at the control valve:

Max. 1Mpa. Recommended operating pressure: 3 bar pressure.

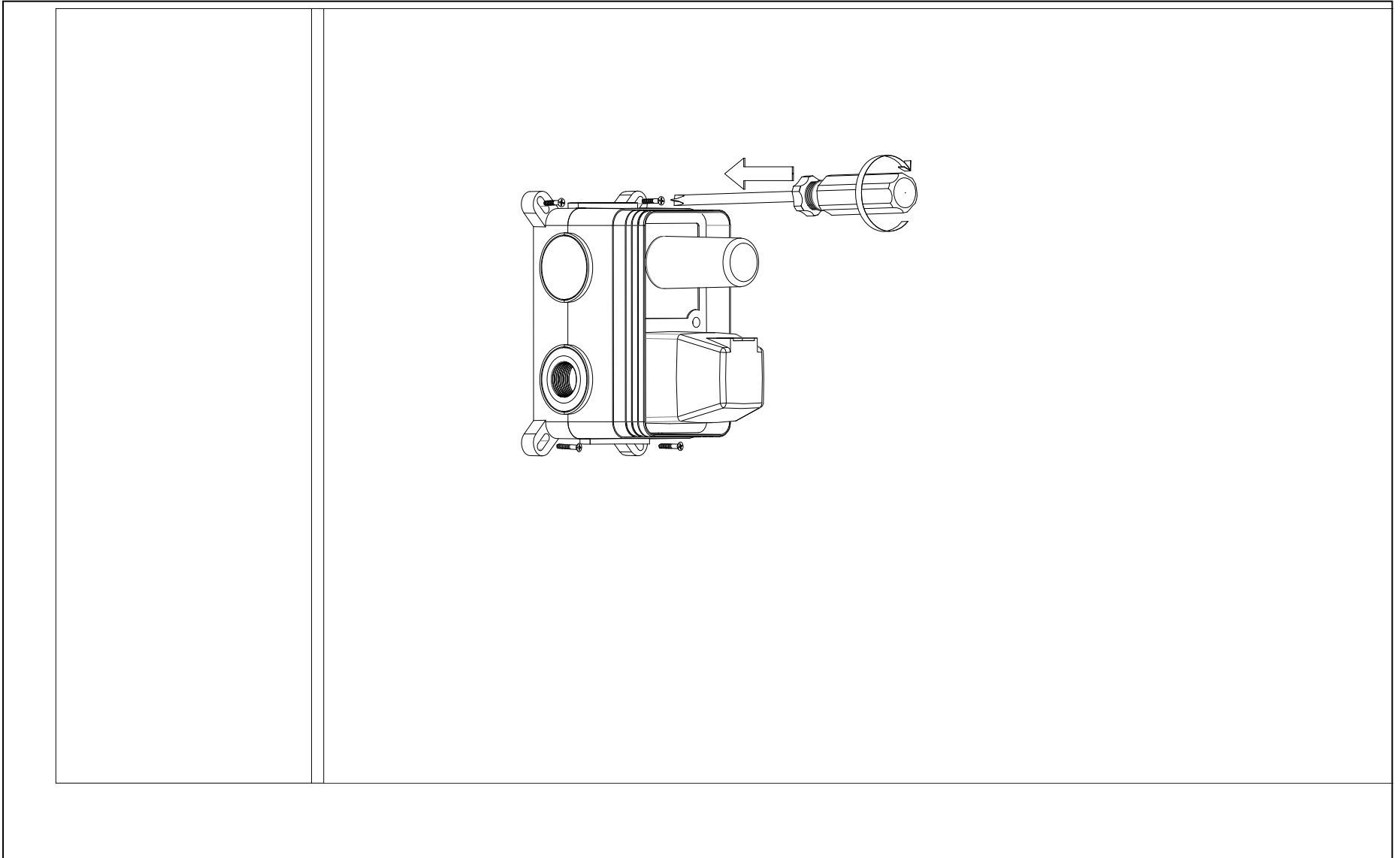
Hot water temperature: Max 60 degree centigrade (140 Fahrenheit).

5. CONCEALED BOX ASSEMBLY INSTALLATION

5.1 Make a mounting rack (normally use woods as materials) for preparing install the concealed box assembly .the mounting board's face should be Min 65mm [2-17/32"] and Max 90mm [3-17/32"] behind the finish wall surface.

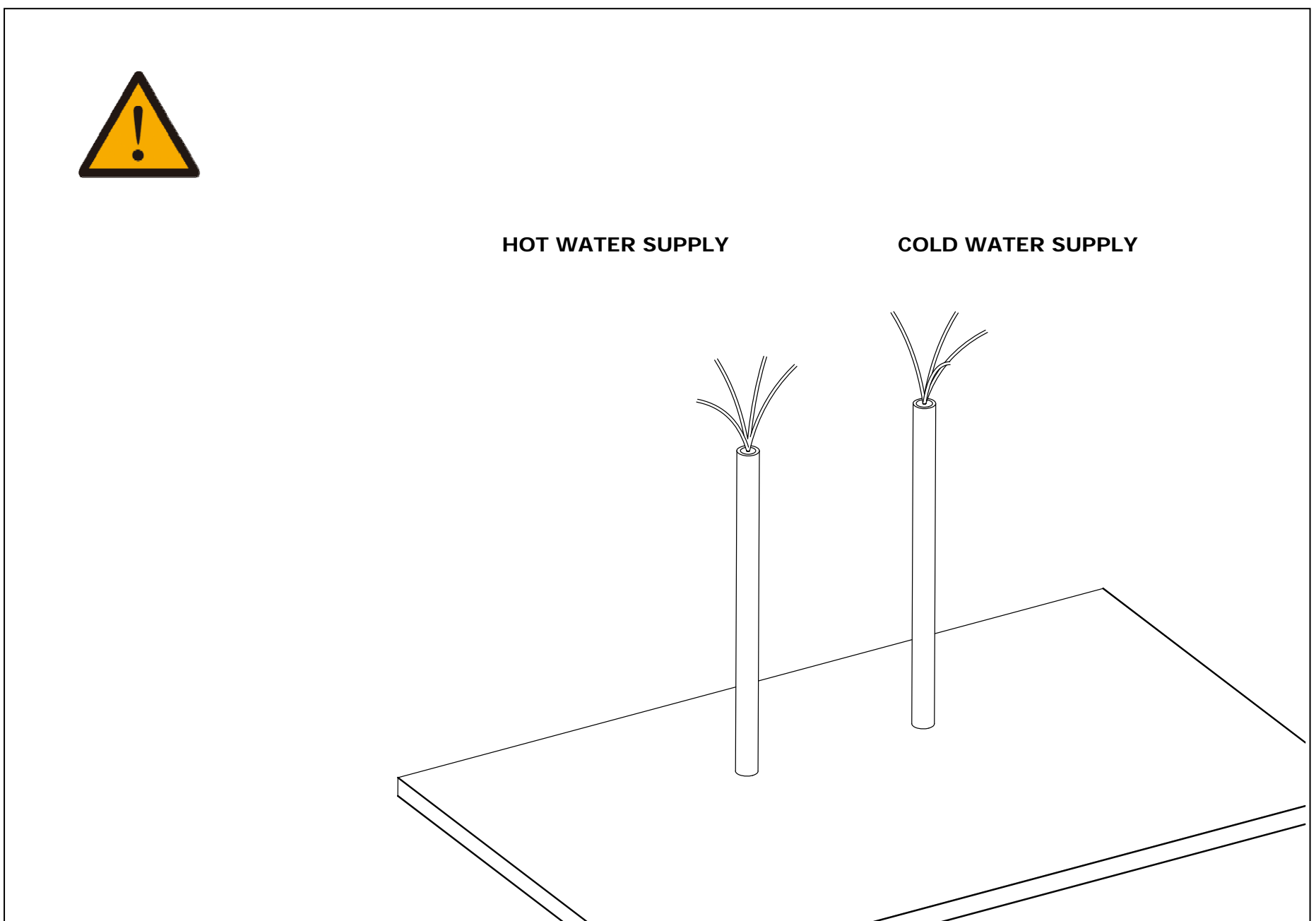


5.2 Secure the concealed box assembly to the mounting rack with screws and anchor.



6. VALVE TRIM INSTALLATION

6.1 Turn on your shut-off valve for cleaning the hot and cold water supply pipe before connect to the valve body, allow the water flush 3~5 minutes to flush out dirt and debris. Shut off the water supply again after finish.

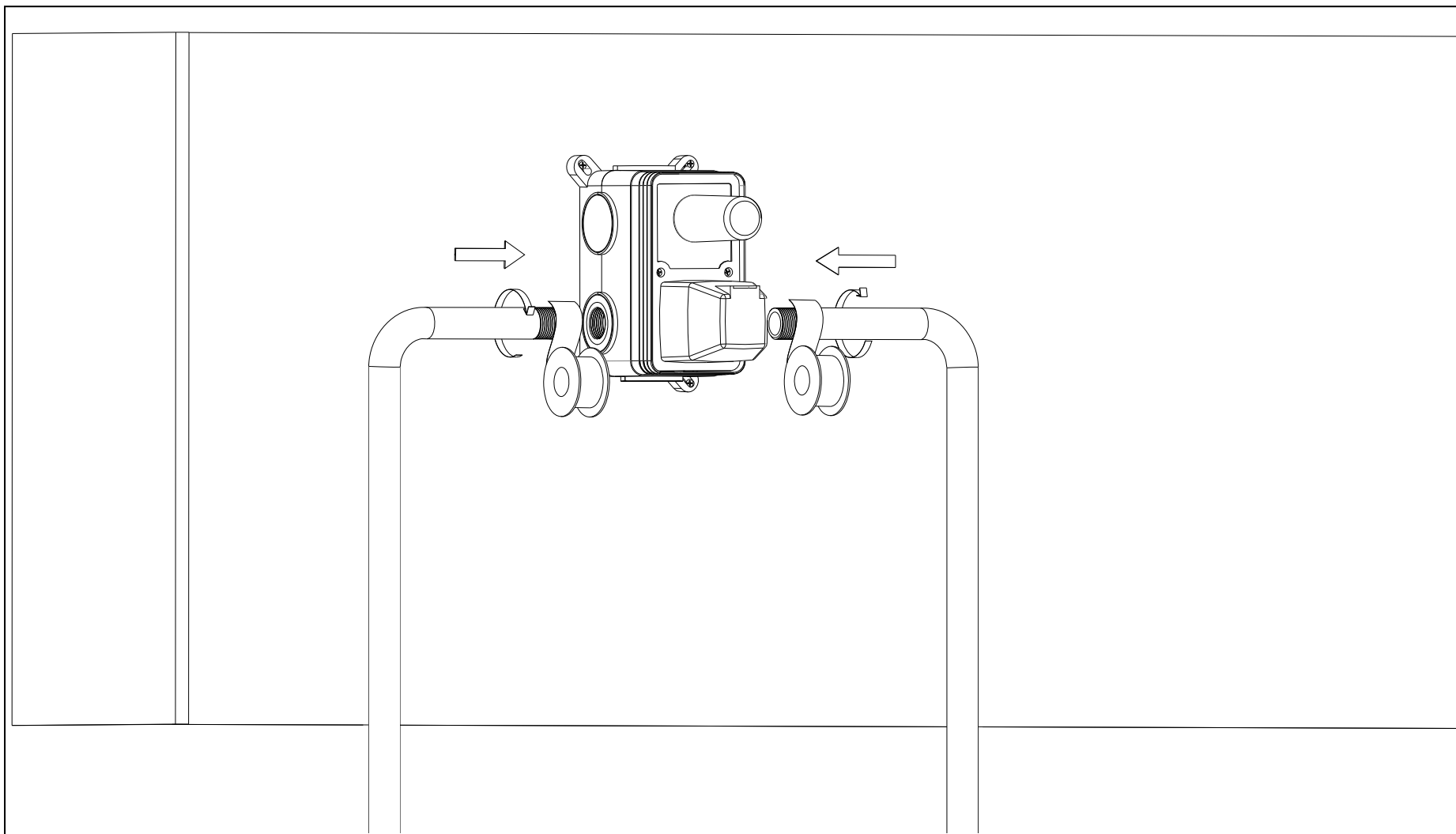


6.2 Apply Teflon tape on the thread of pipe inlet and then connect to valve inlet with elbow [hot left, cold right].

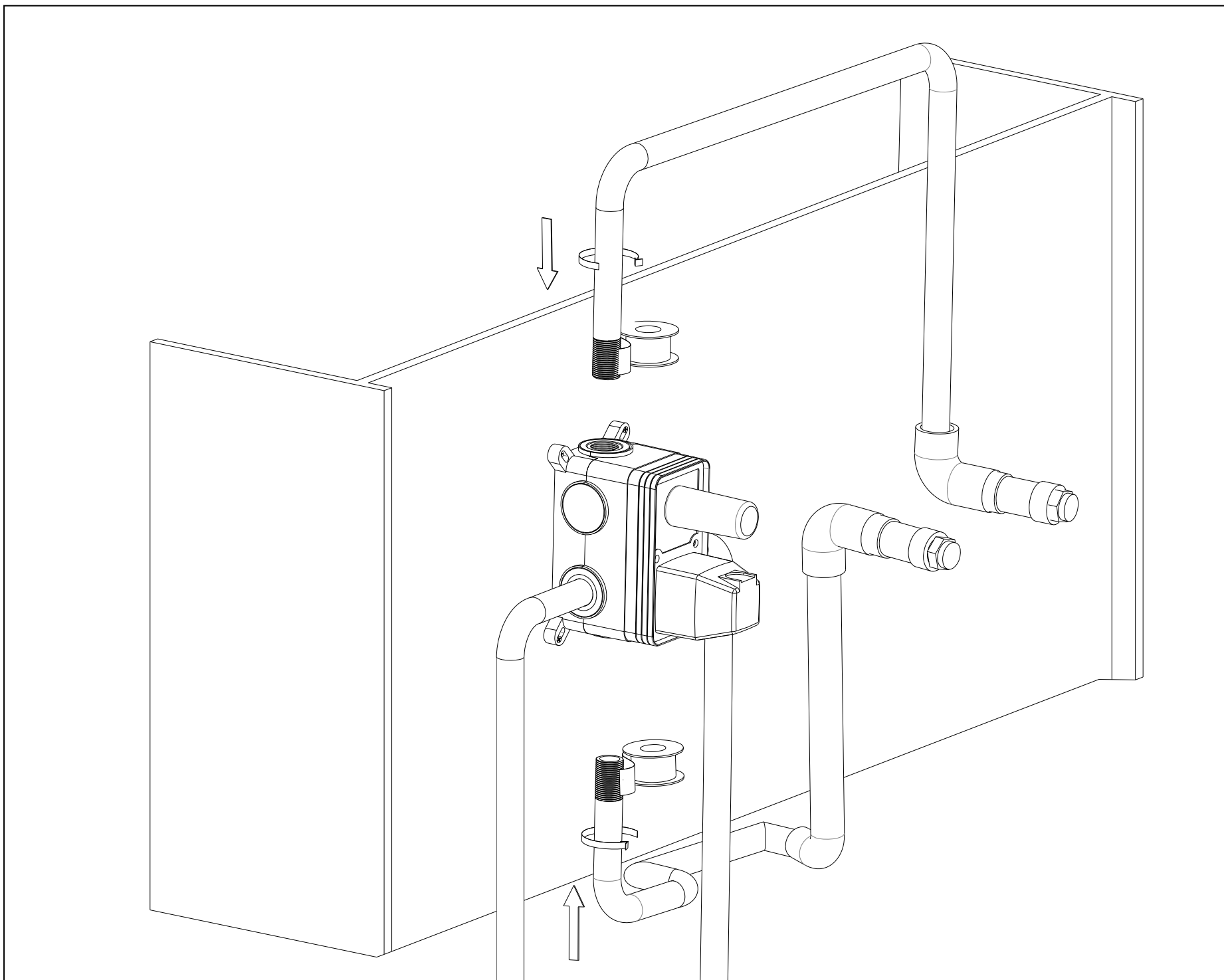
Mixer Valve Connecting thread for Hot&Cold water

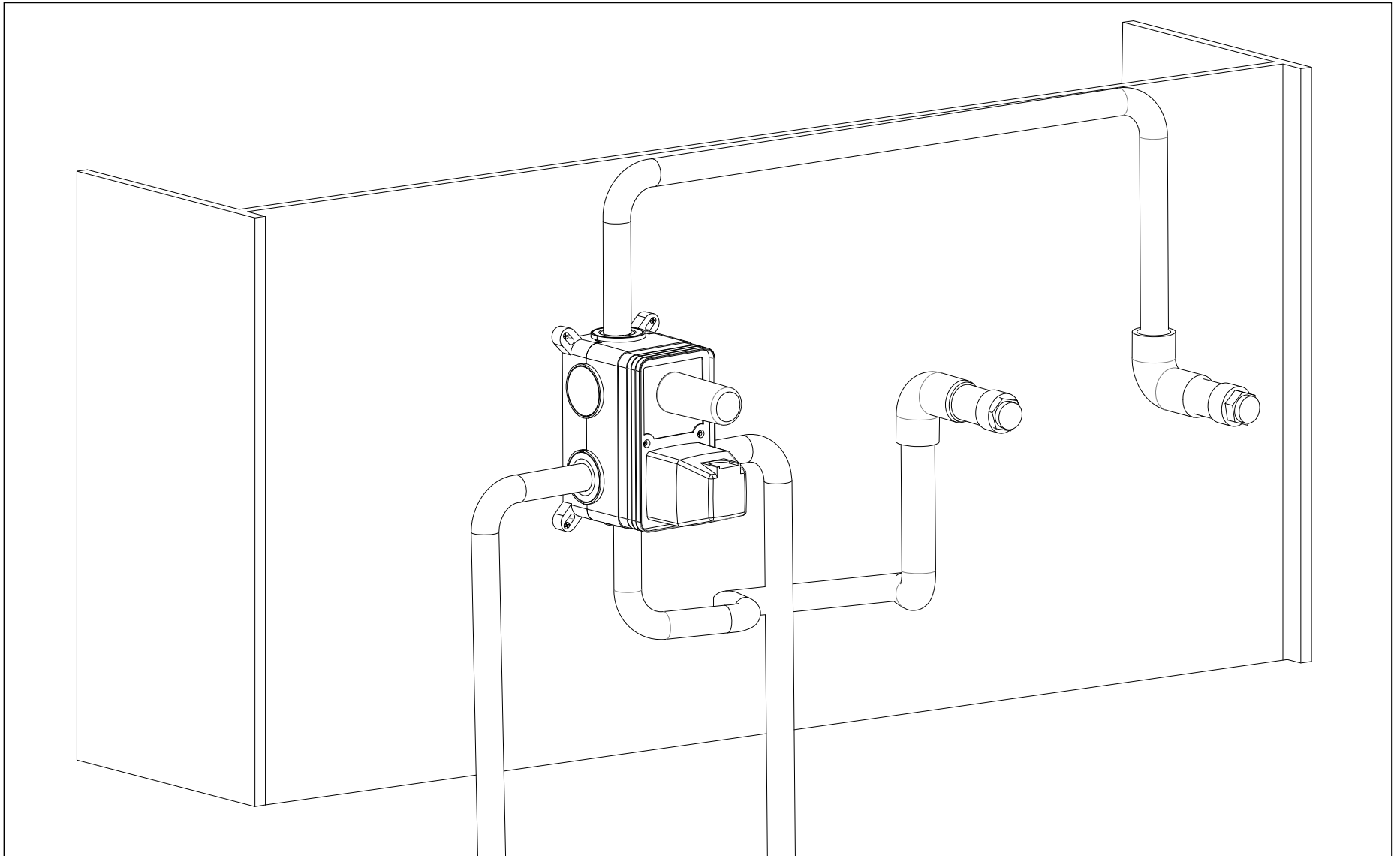
Mixer Valve inlet thread: NPT1/2 (US, CA)

G1/2" [1/2 BSPP] (UK, Europe etc.)

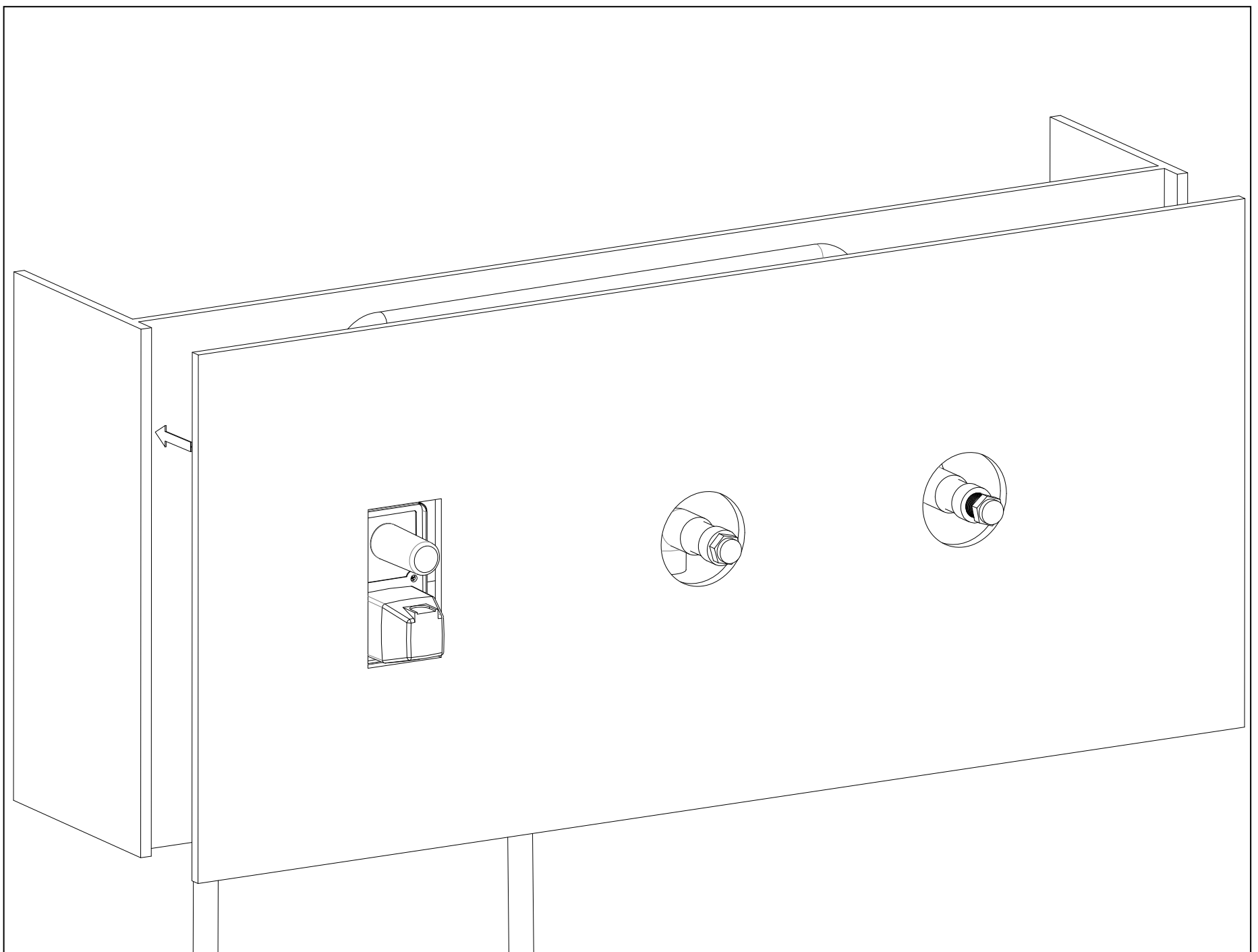


Connect to valve outlet with elbow:





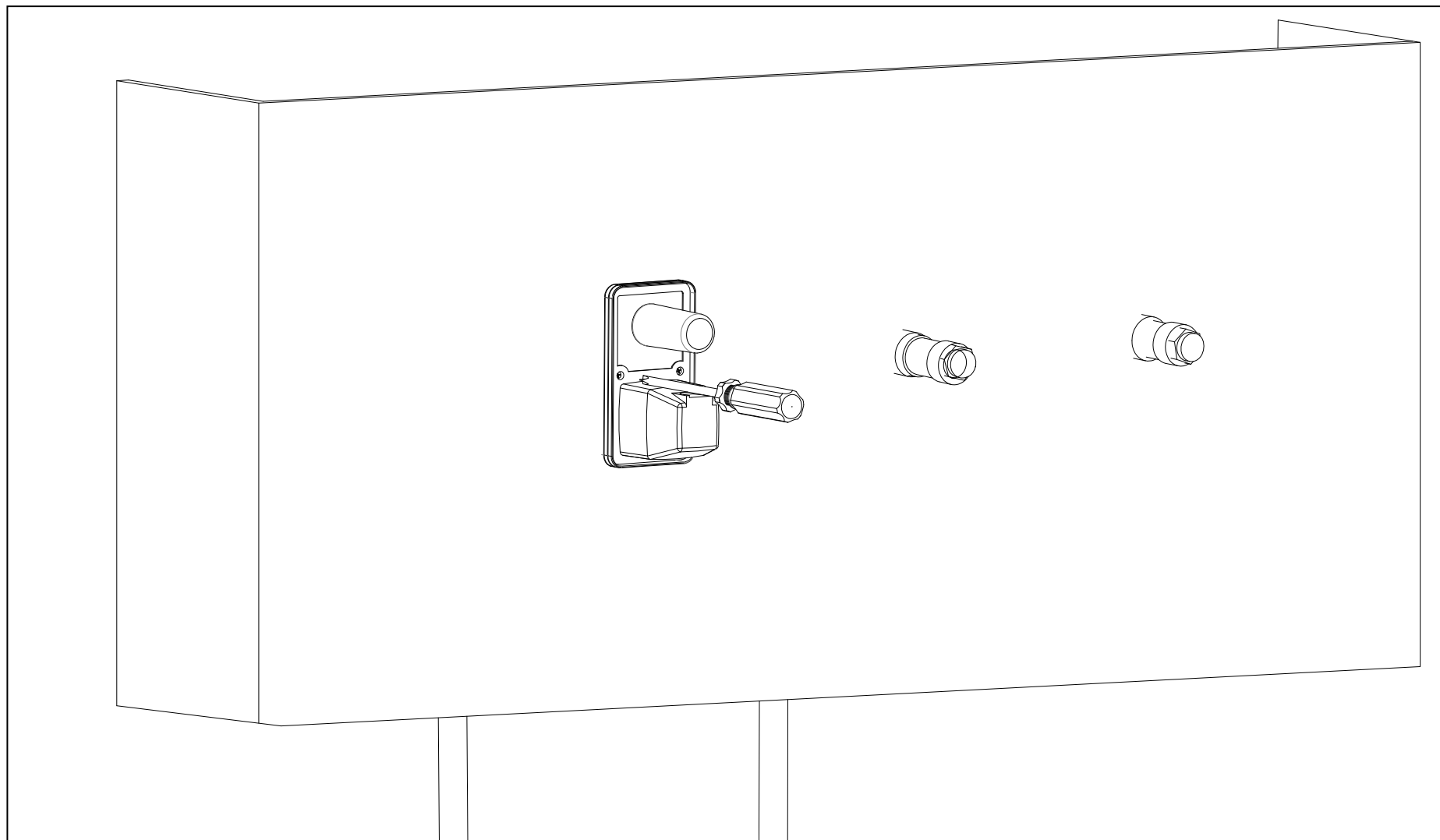
6.3 Drill the mounting holes exactly according to mixer valve and elbow position, done the finish wall.



6.4 Remove the valve sleeve by Phillips screwdriver. Turn on hot and cold water supply and check all connection for leaks



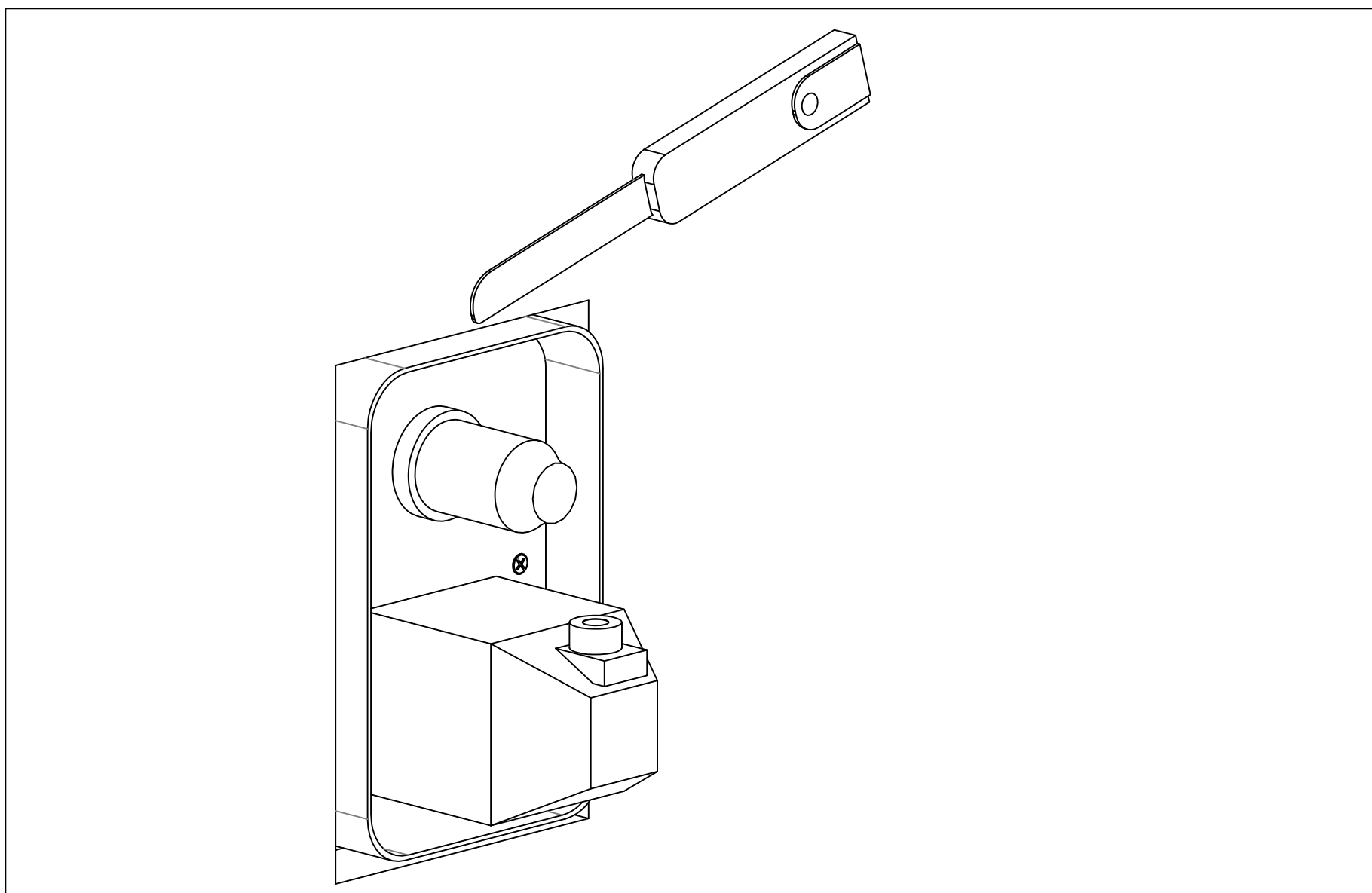
Please shut off your hot and cold water supply again if no leaking.

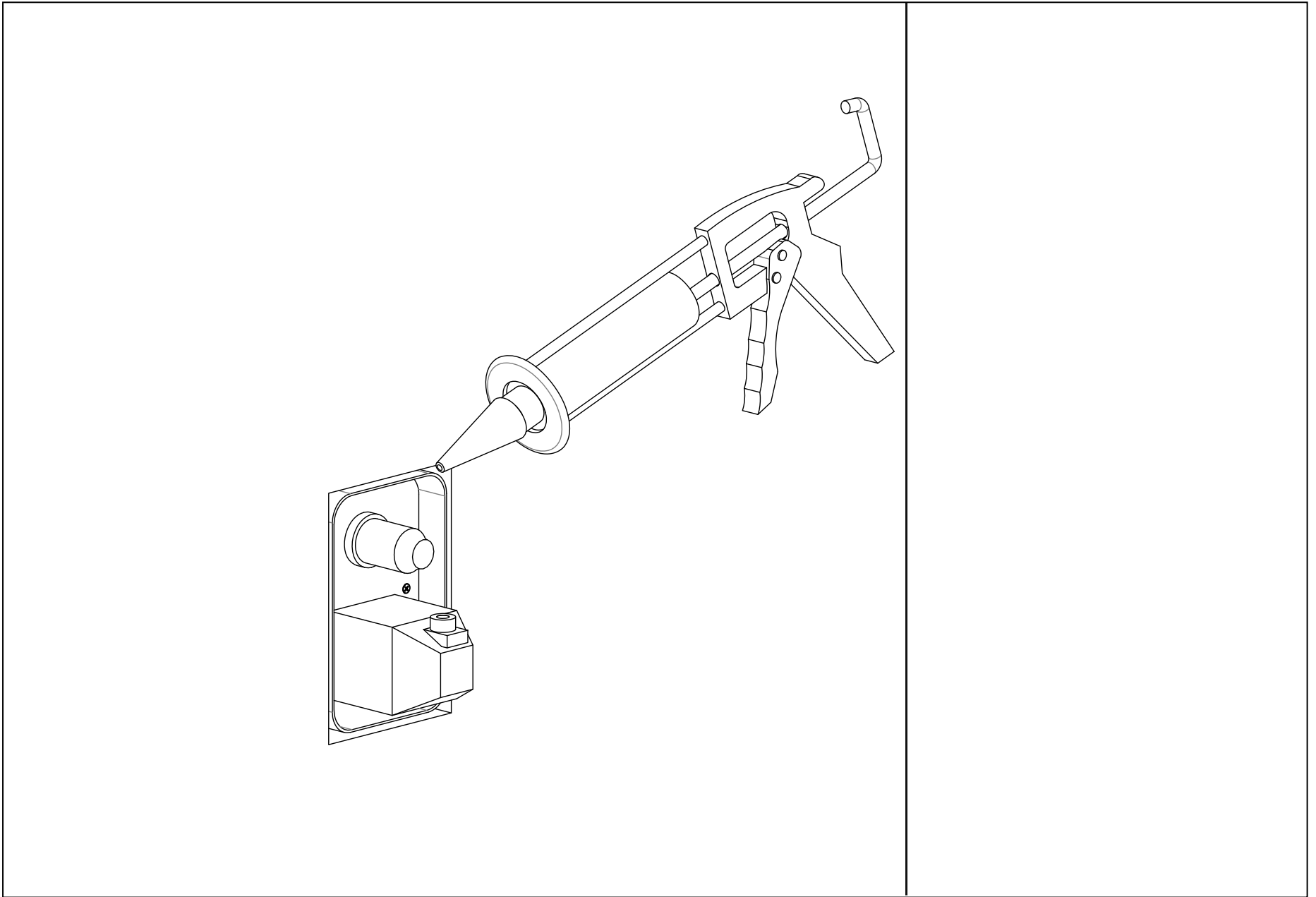


6.5 Cut the plaster shield around the finish wall surface and seal the wall around the plaster shield with waterproof sealant

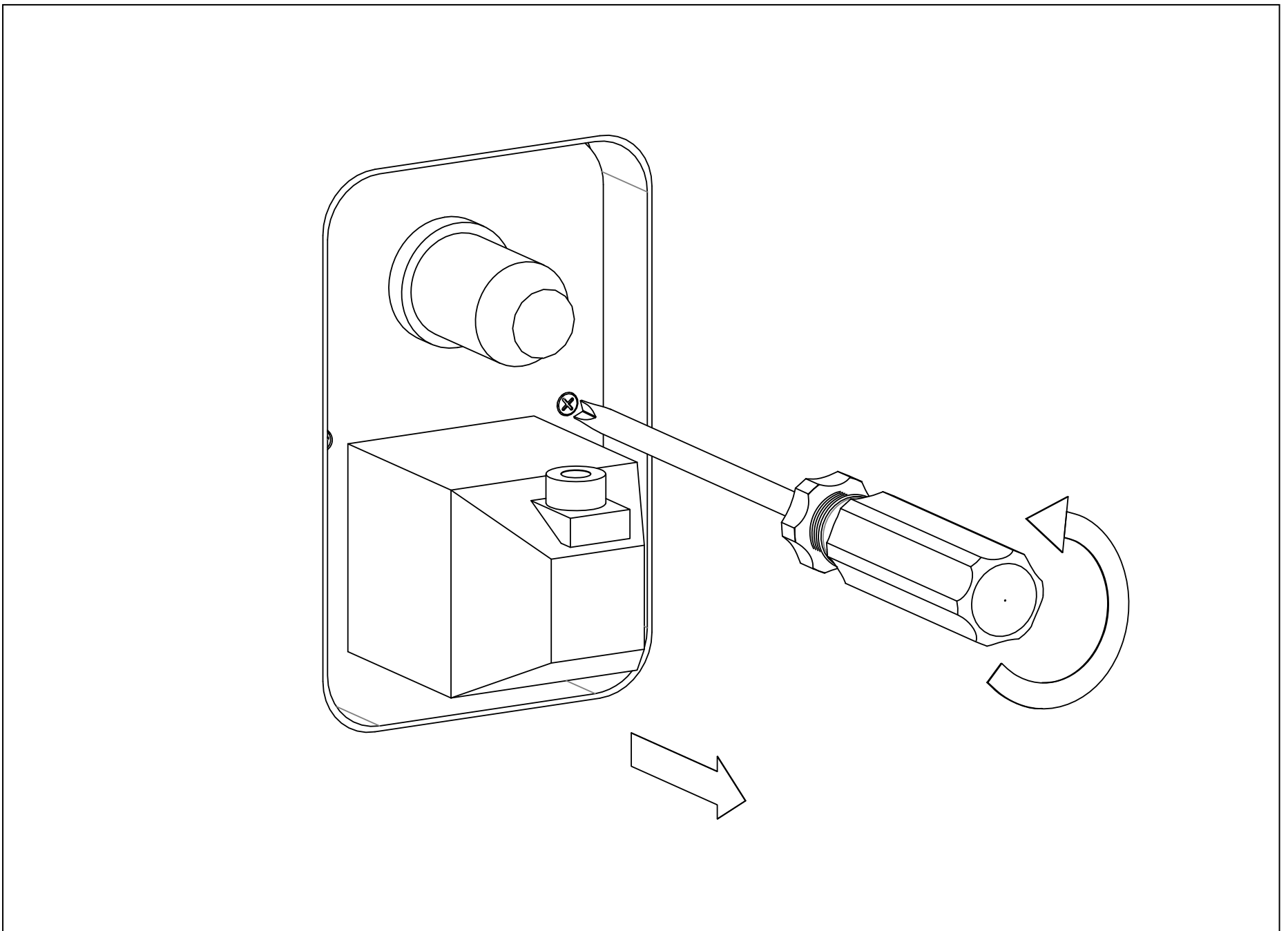


WARNING: Failure to seal the wall can lead to possible water damage.

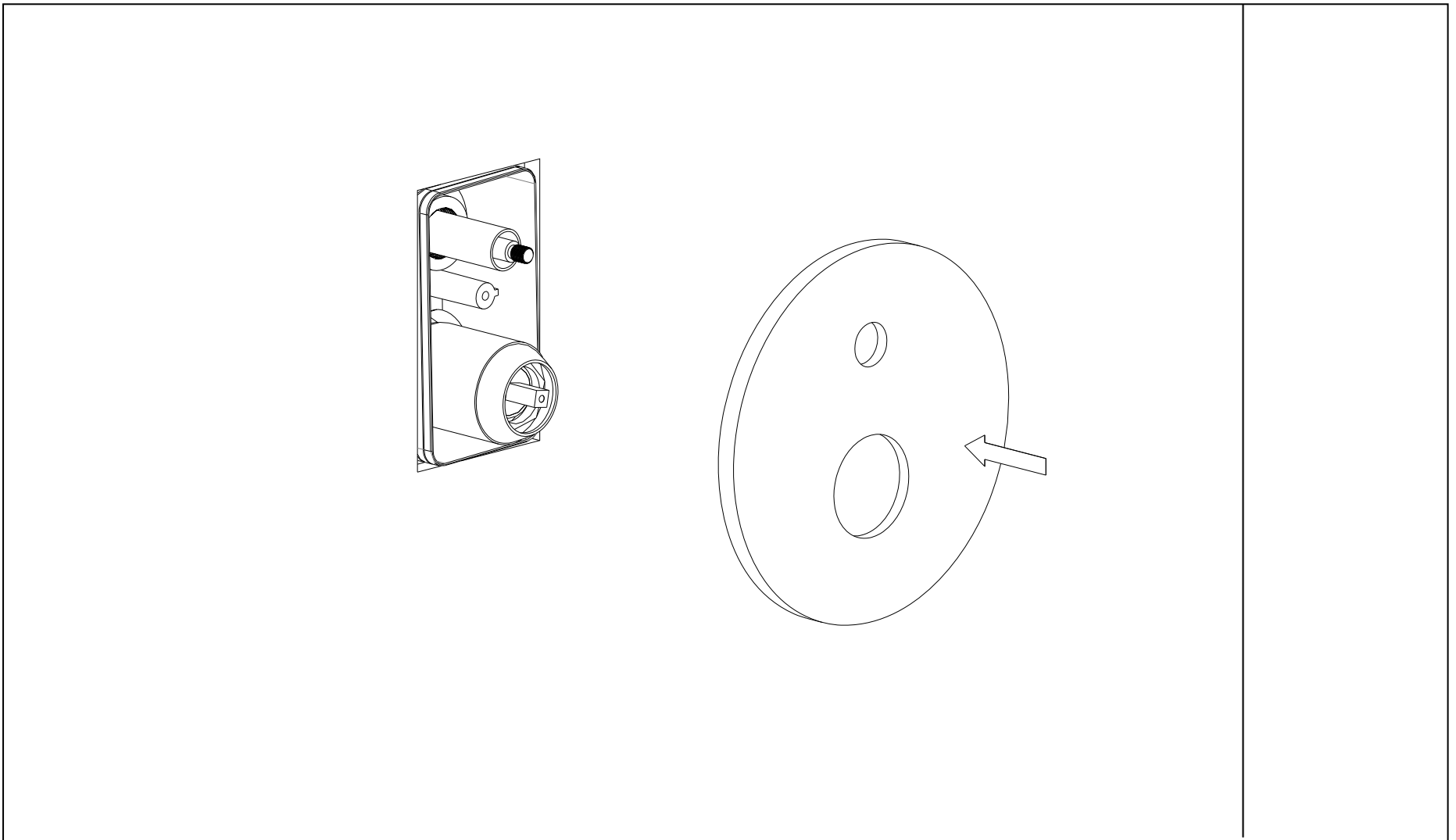




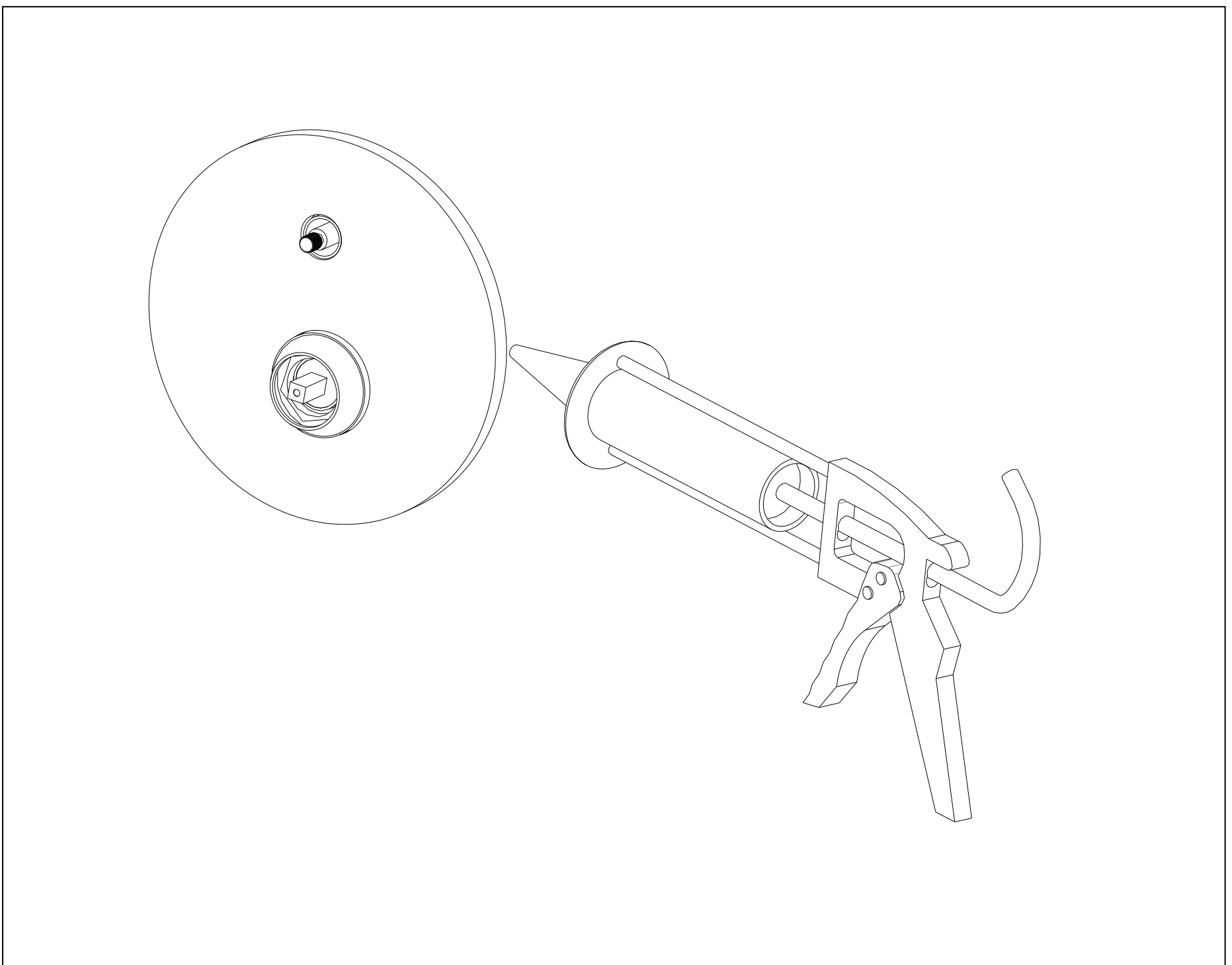
6.6 Remove the valve sleeve by Phillips screwdriver and hold the screw for next step.



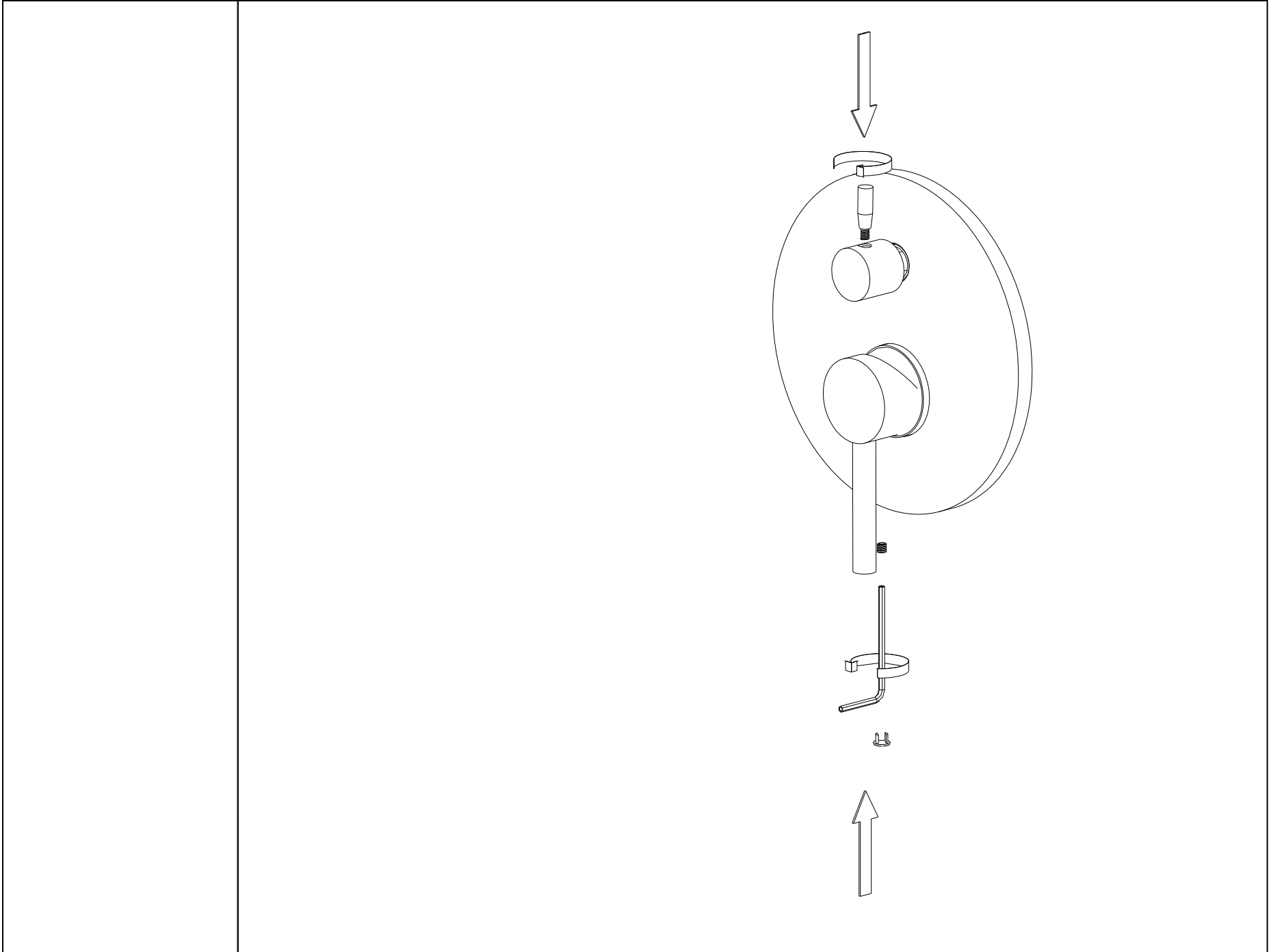
6.7 Attach the escutcheon over the valve body.



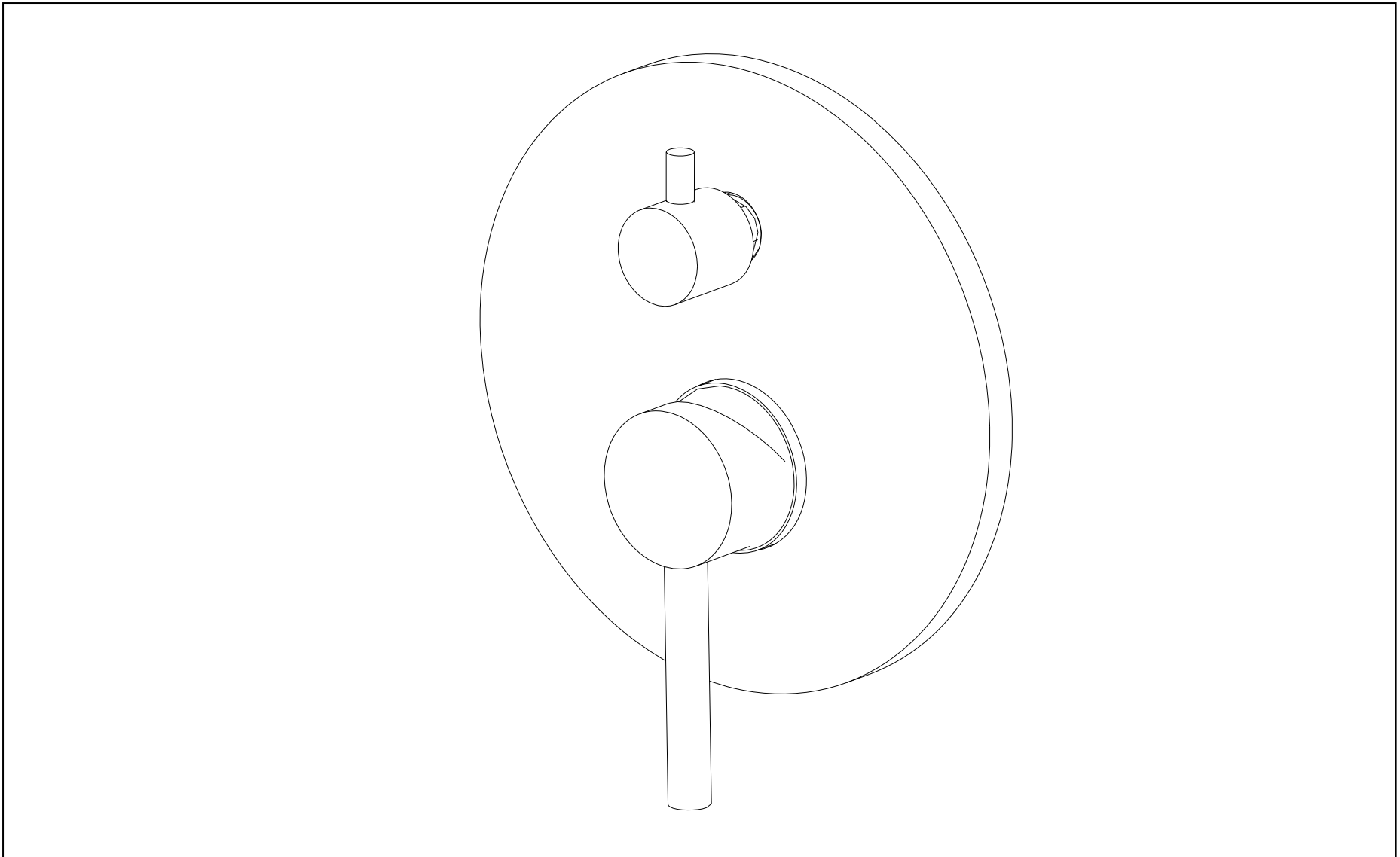
6.8 Seal the wall around the plaster shield with waterproof sealant



6.9 Attach handle onto the valve stem and tighten set screws by the Allen wrench that is provided. Please don't over tighten. Done the same procedure on diverter knob. Finally press-in the screw cover.

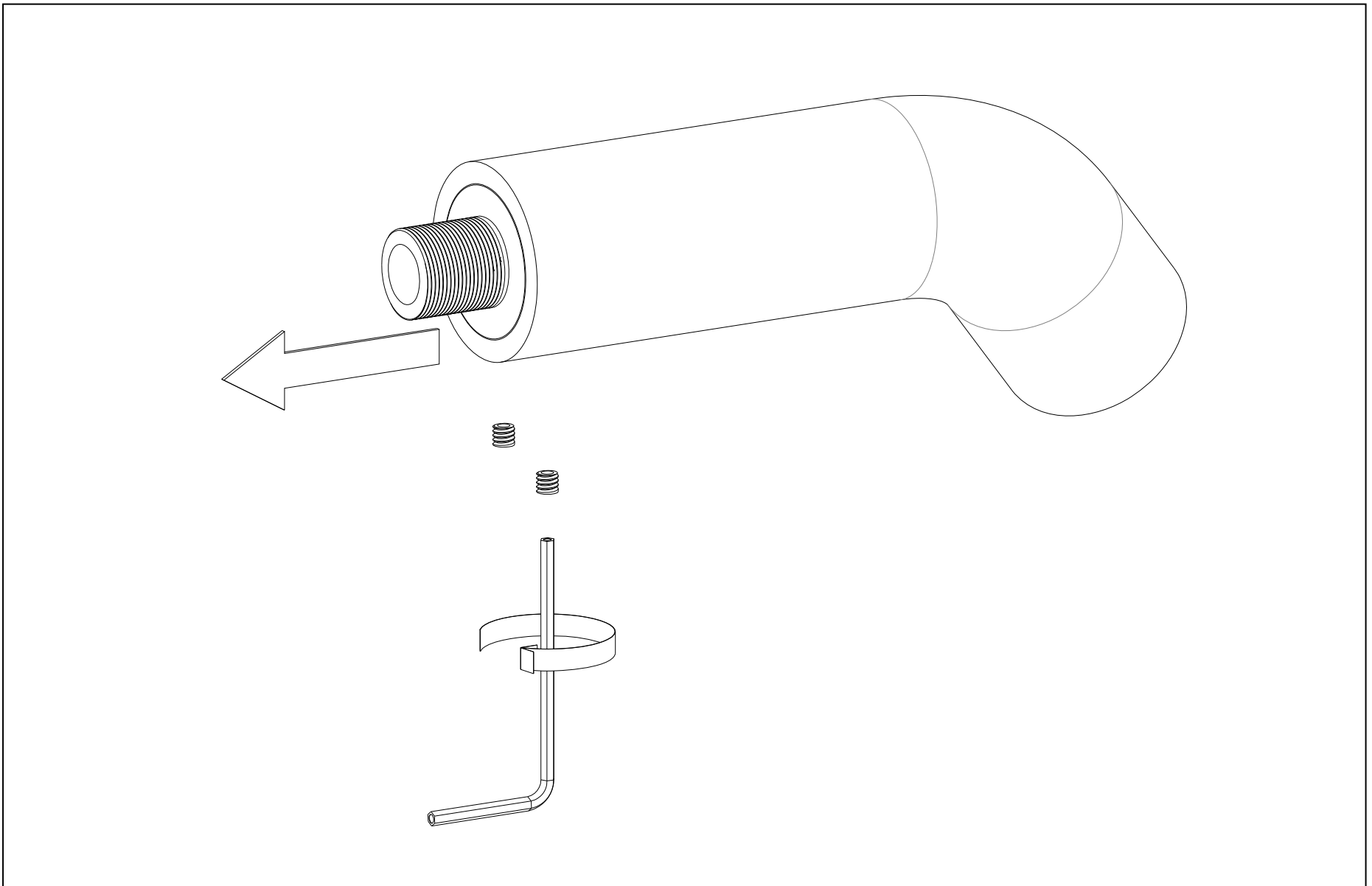


6.10 Valve trim install finish.

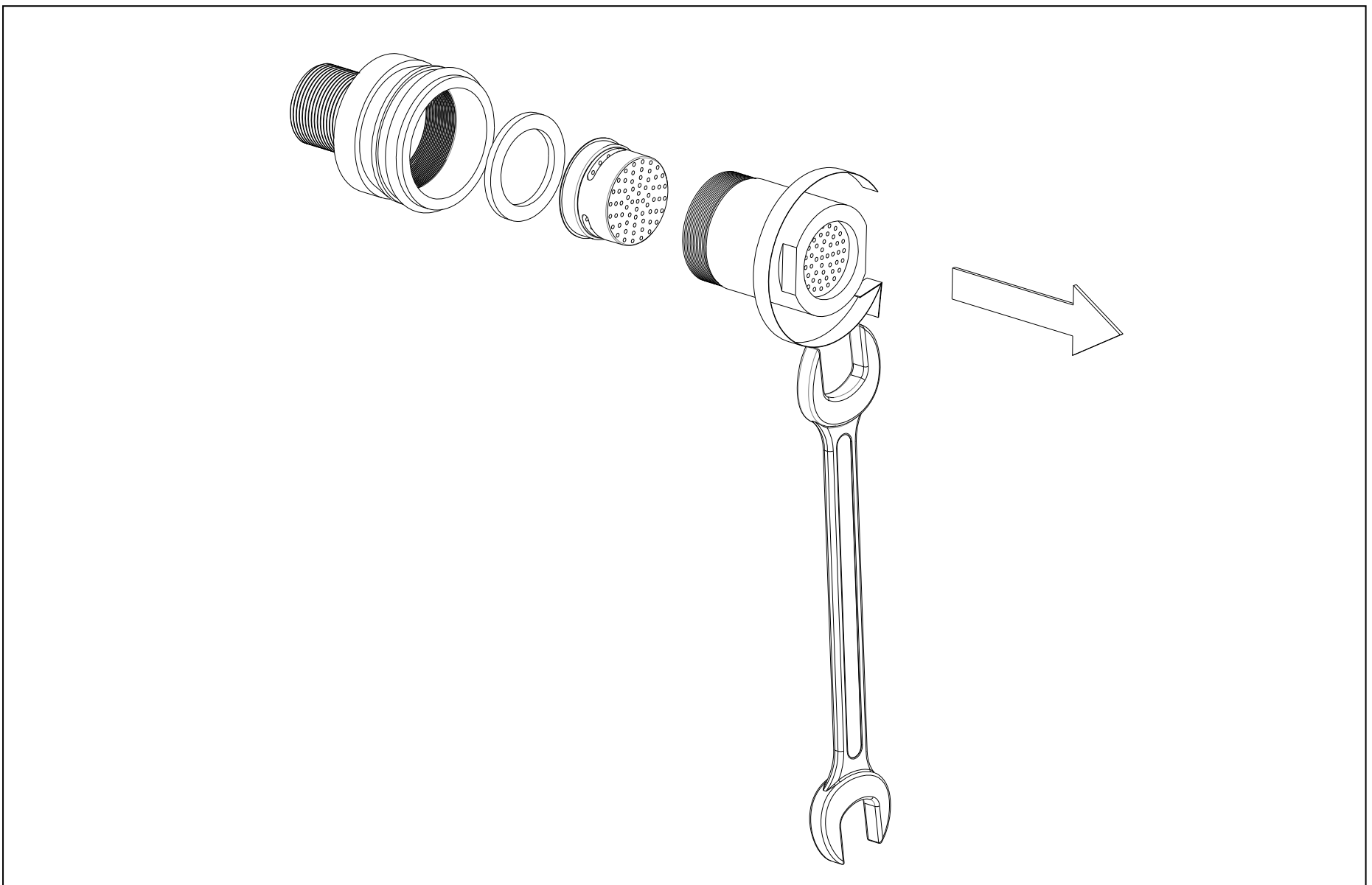


7. TUB SPOUT INSTALLATION

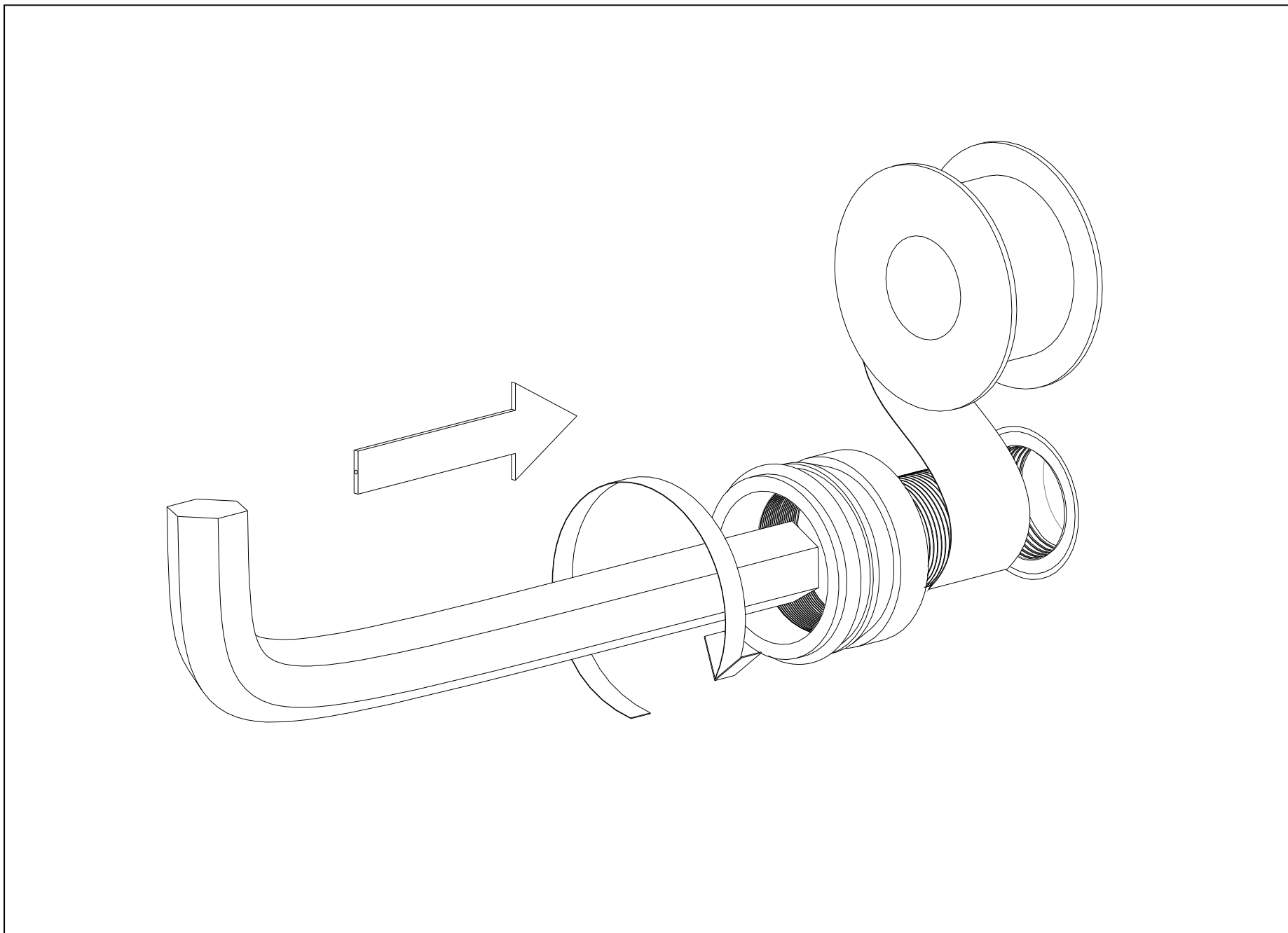
7.1 Loose the set screws by Allen key and remove the spout nipple assembly from tub spout assembly.



7.2 Remove the aerator lock nut by adjustable wrench and disassemble all inside parts from the spout nipple supply.



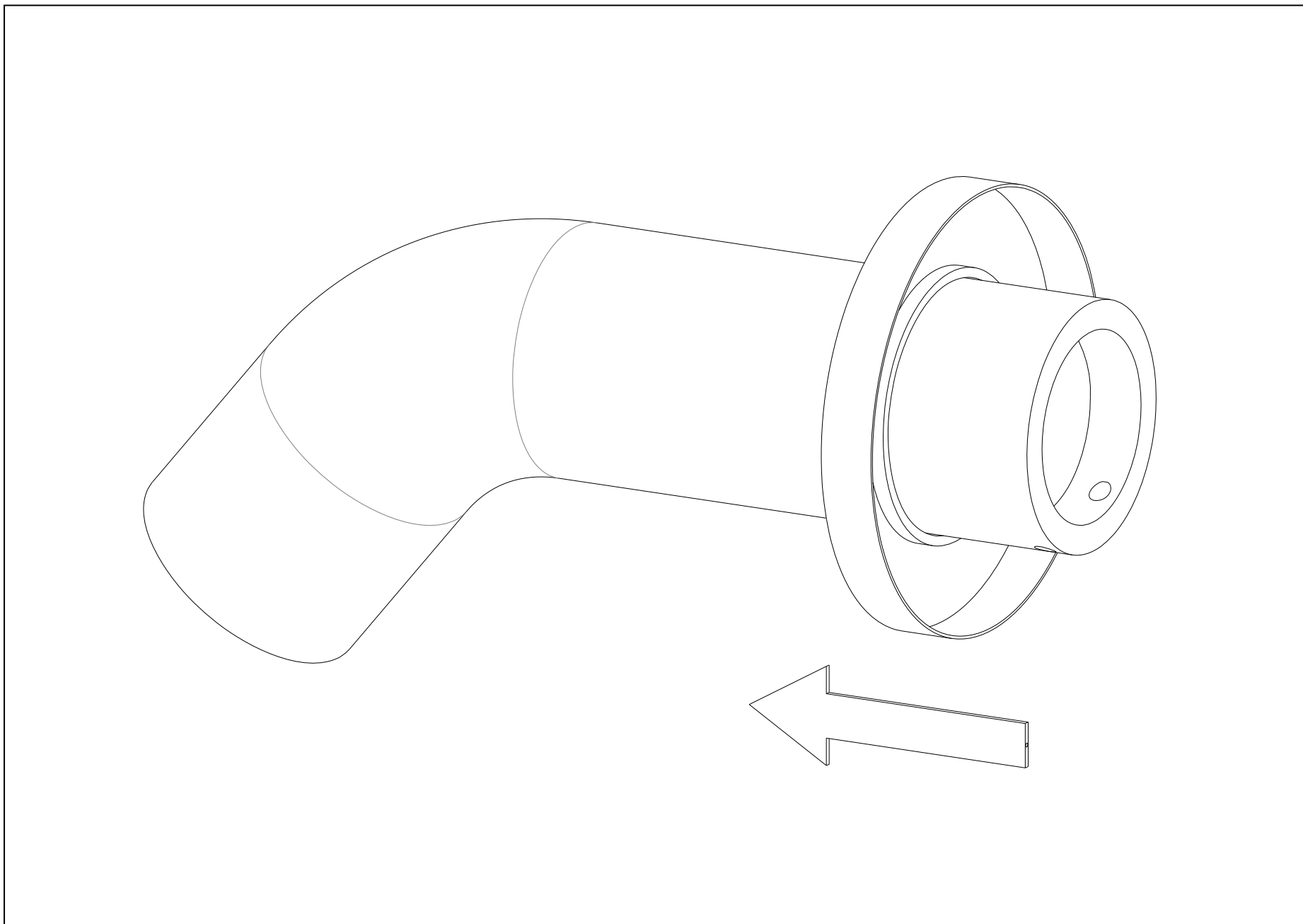
7.3 Apply Teflon tape on the thread of spout nipple supply and screw the thread into the pipe elbow inside the wall.



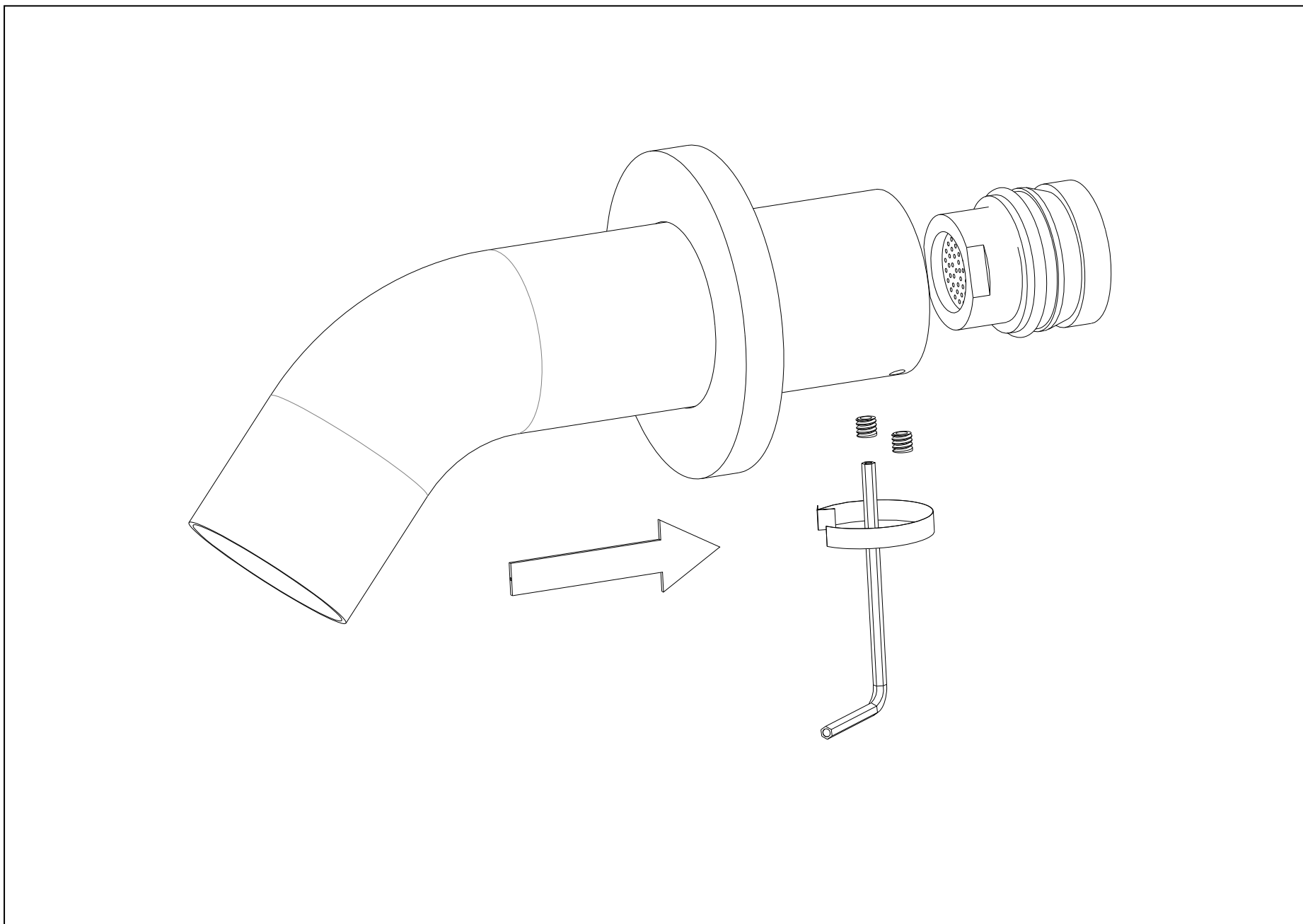
7.4. Reinstall the aerator lock nut and all inside parts to the spout nipple supply by adjustable wrench.



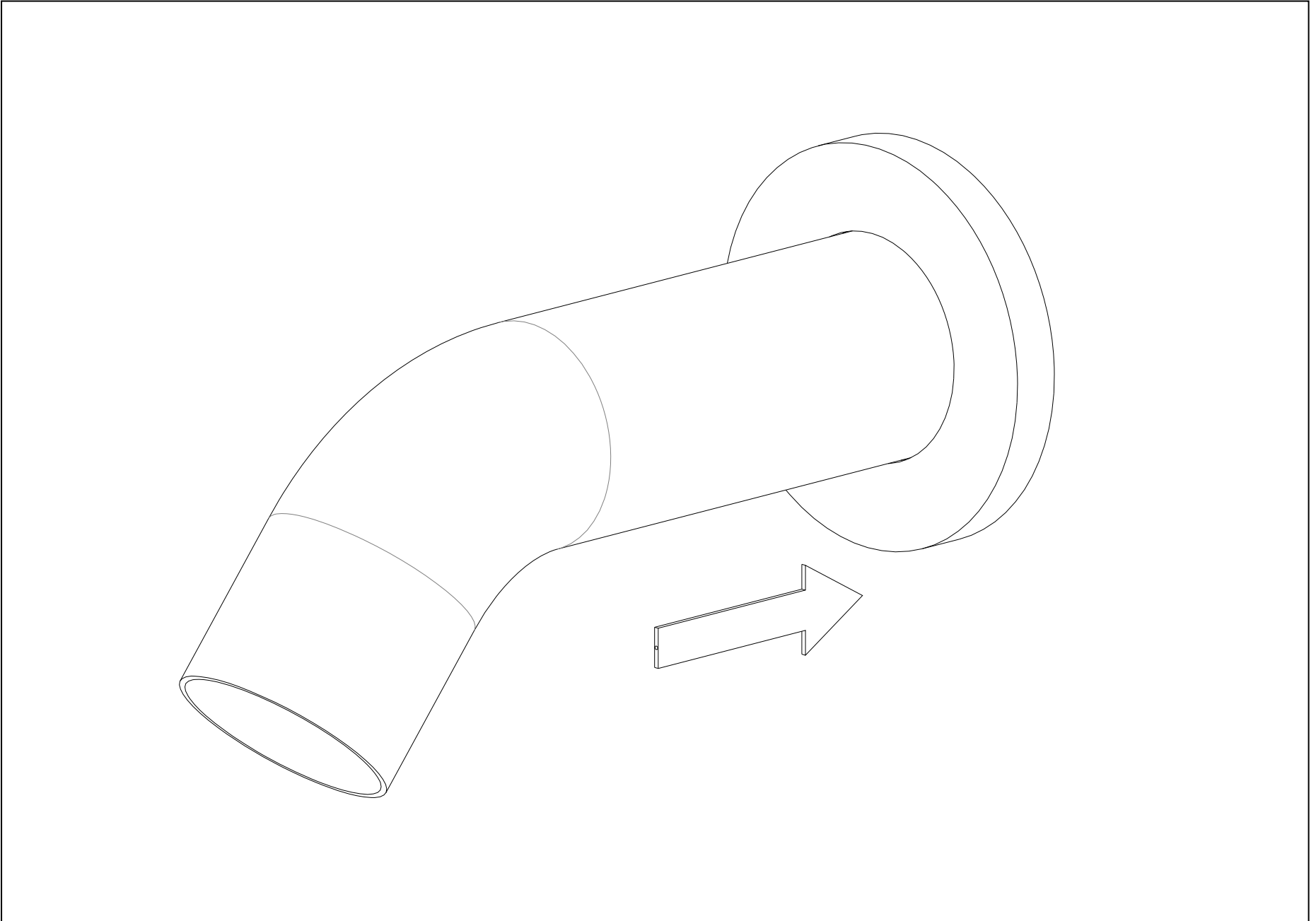
7.5. Push the flange to tub spout from behind.



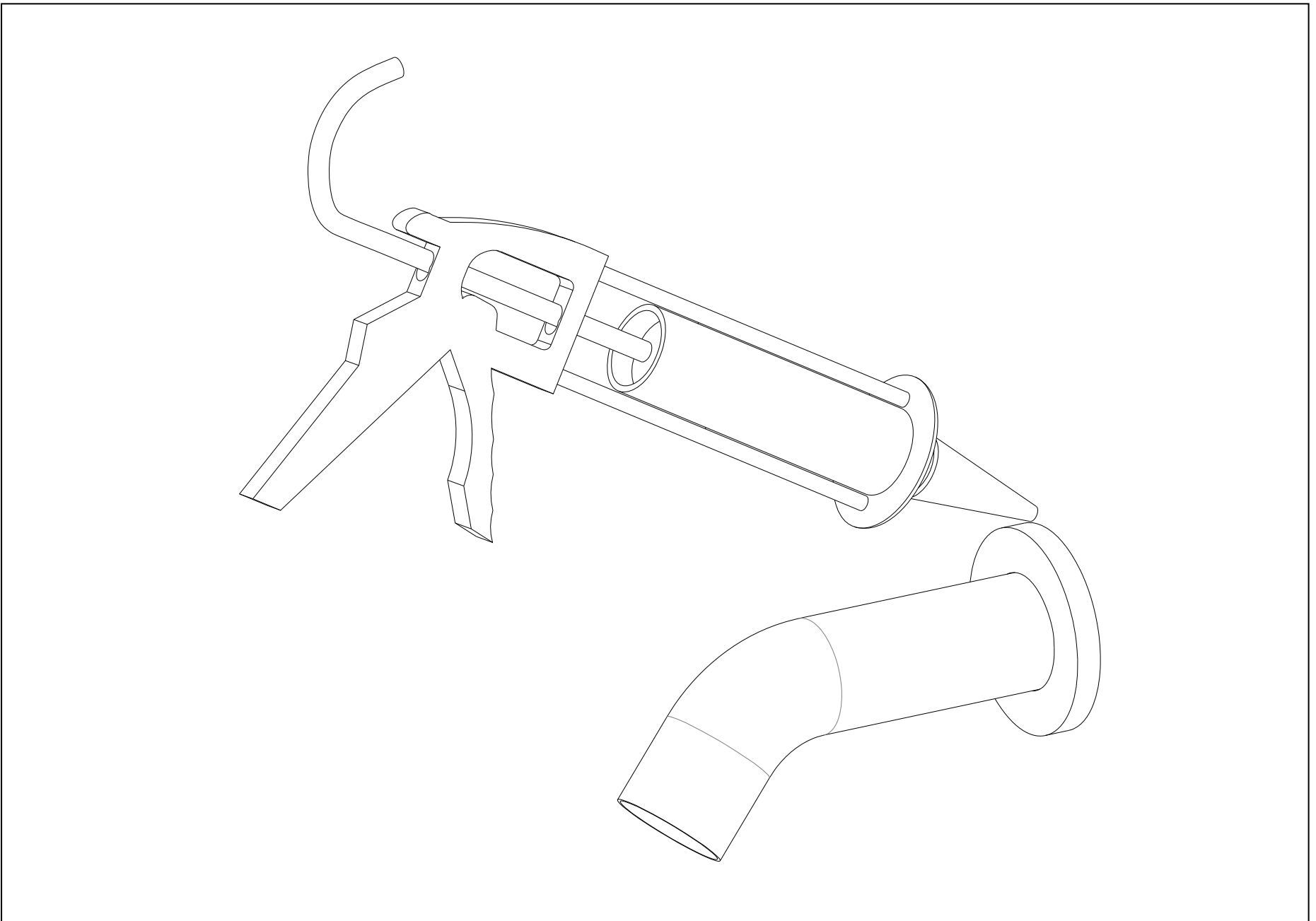
7.6. Docking the tub spout to the spout nipple supply and secure with set screw by Allen Key.



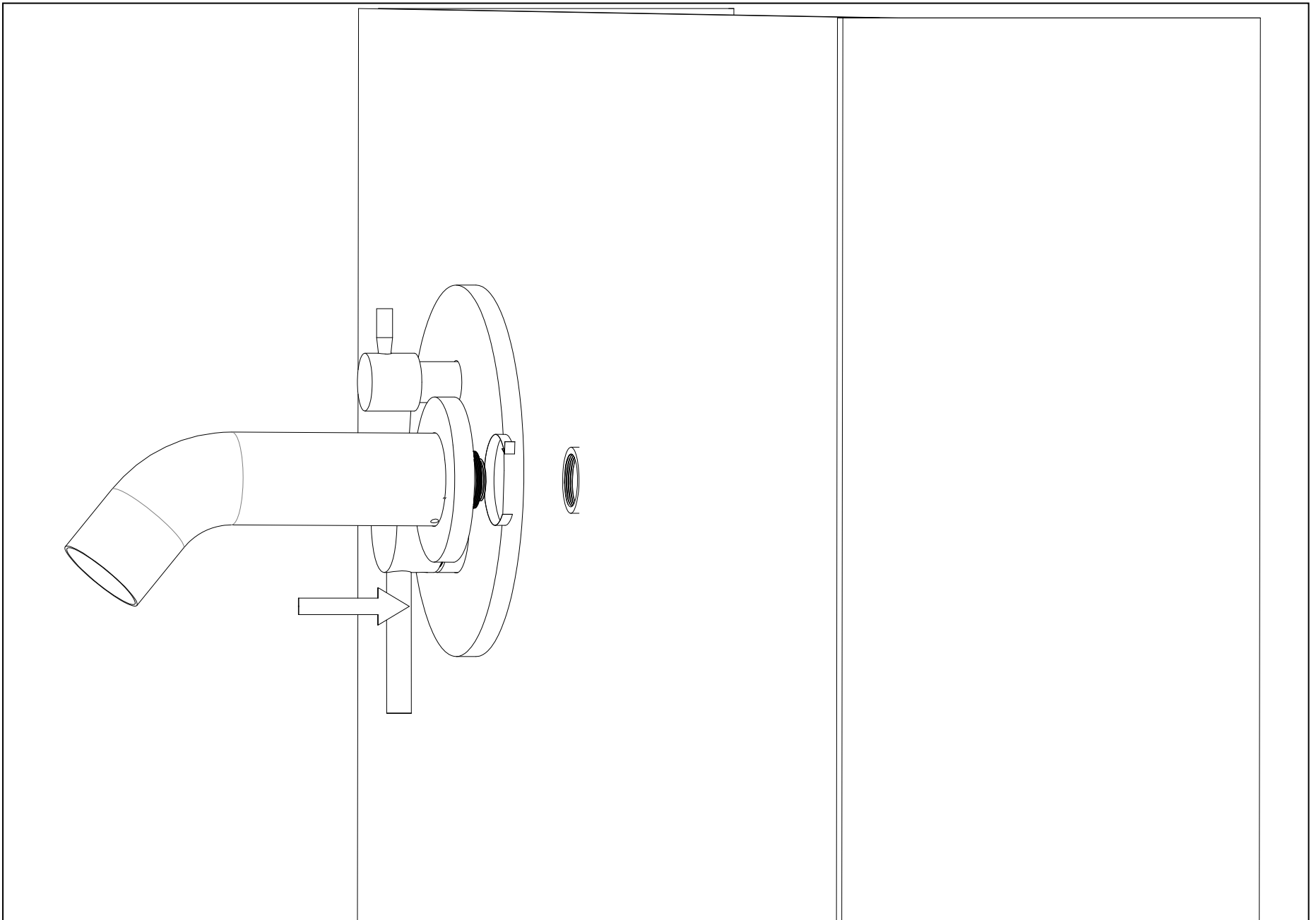
7.7. Attach the flange to finish wall.



7.8. Seal the wall around the flange with waterproof sealant.

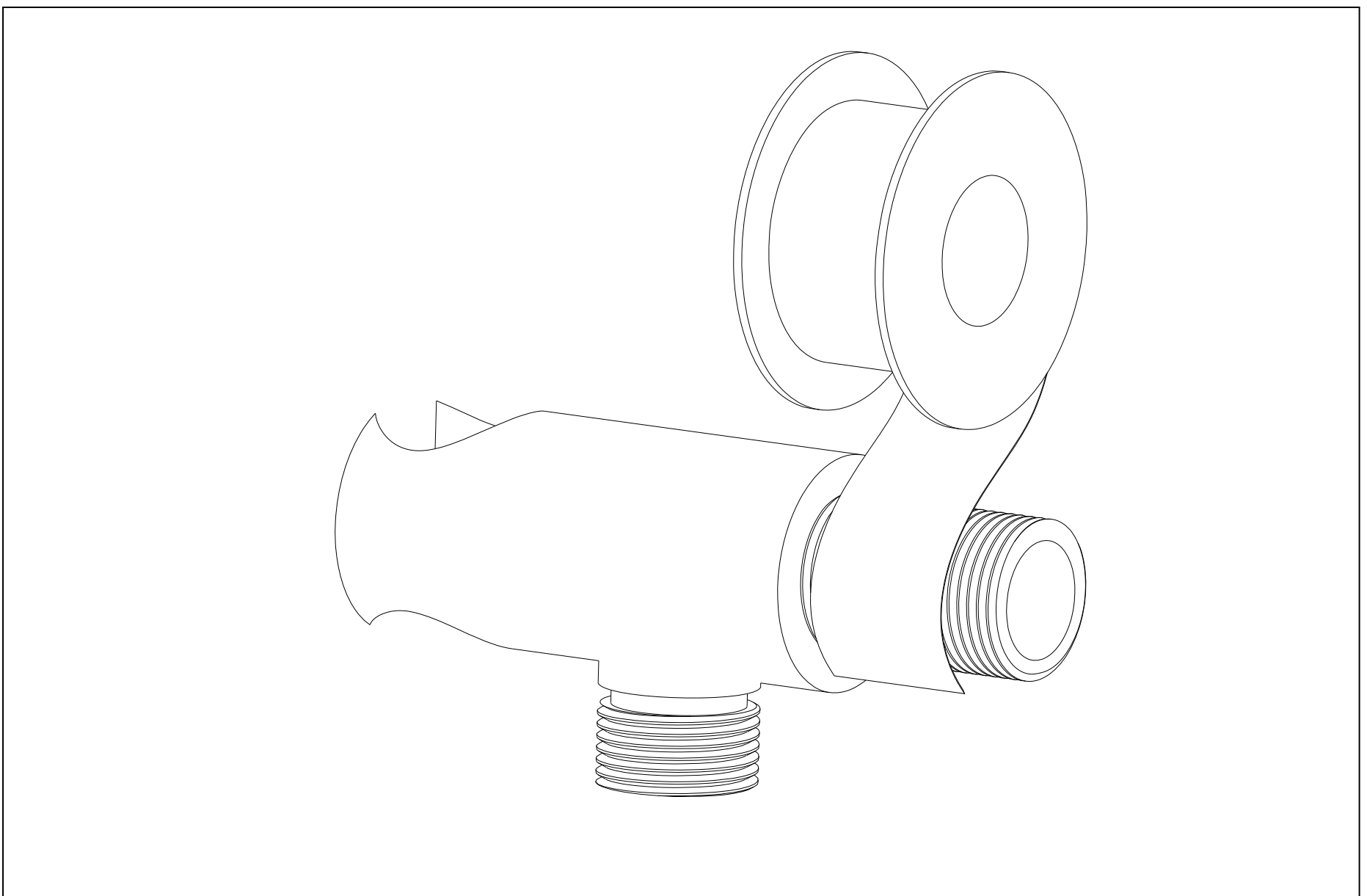


7.9 Tub spout Install finish.

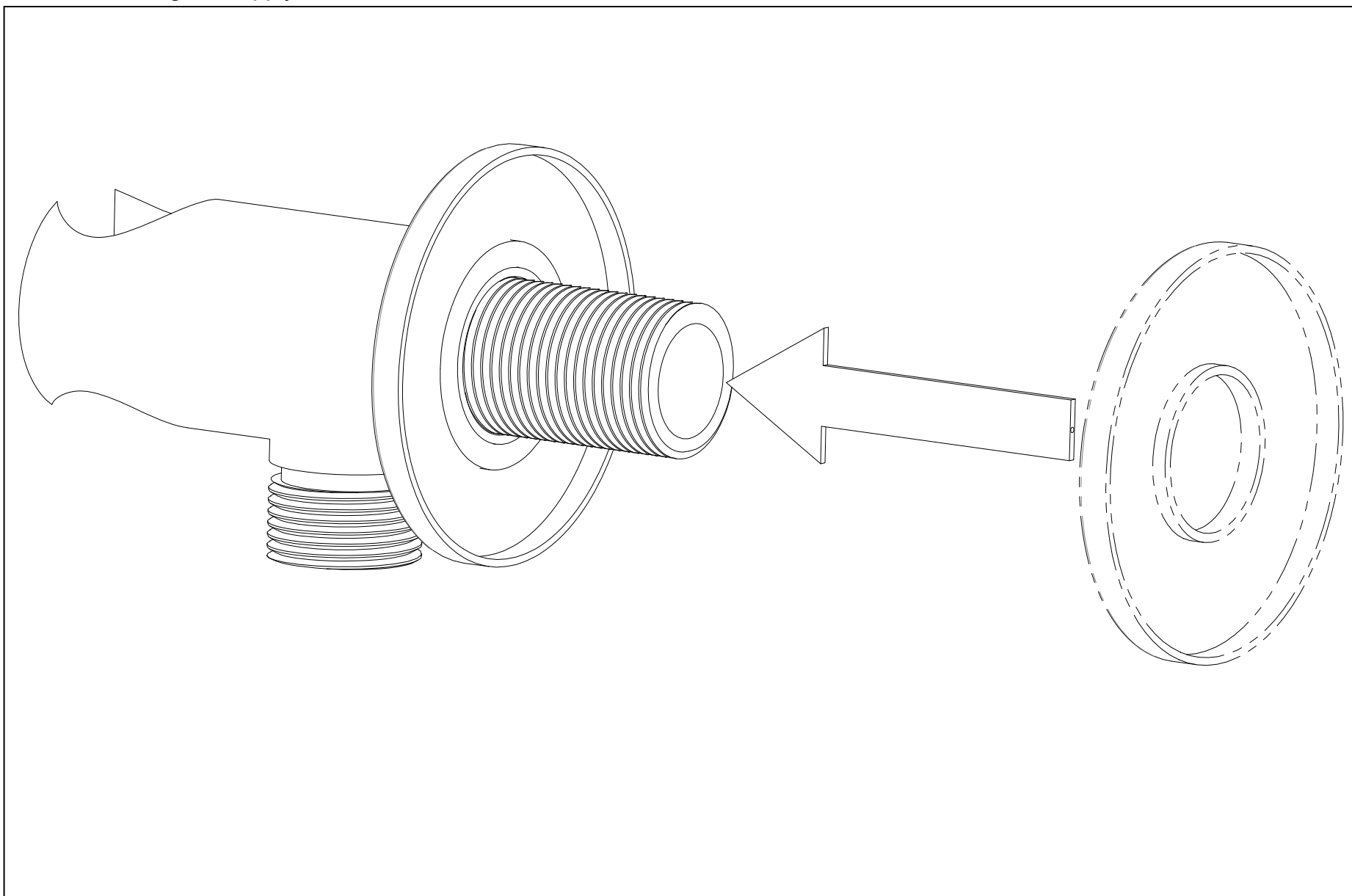


8. HAND SHOWER INSTALLATION

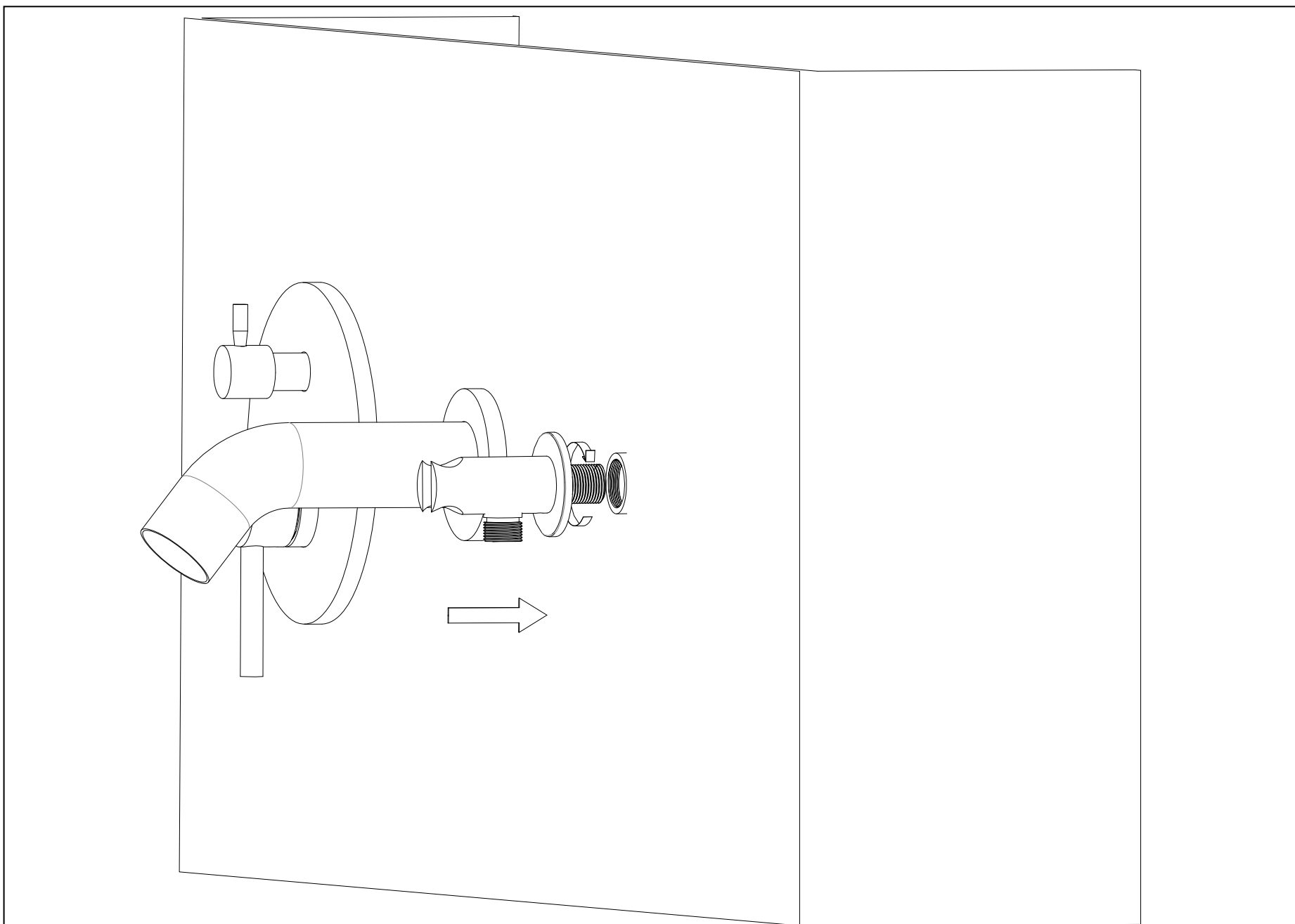
8.1 Apply Teflon tape on the thread of wall supply elbow.



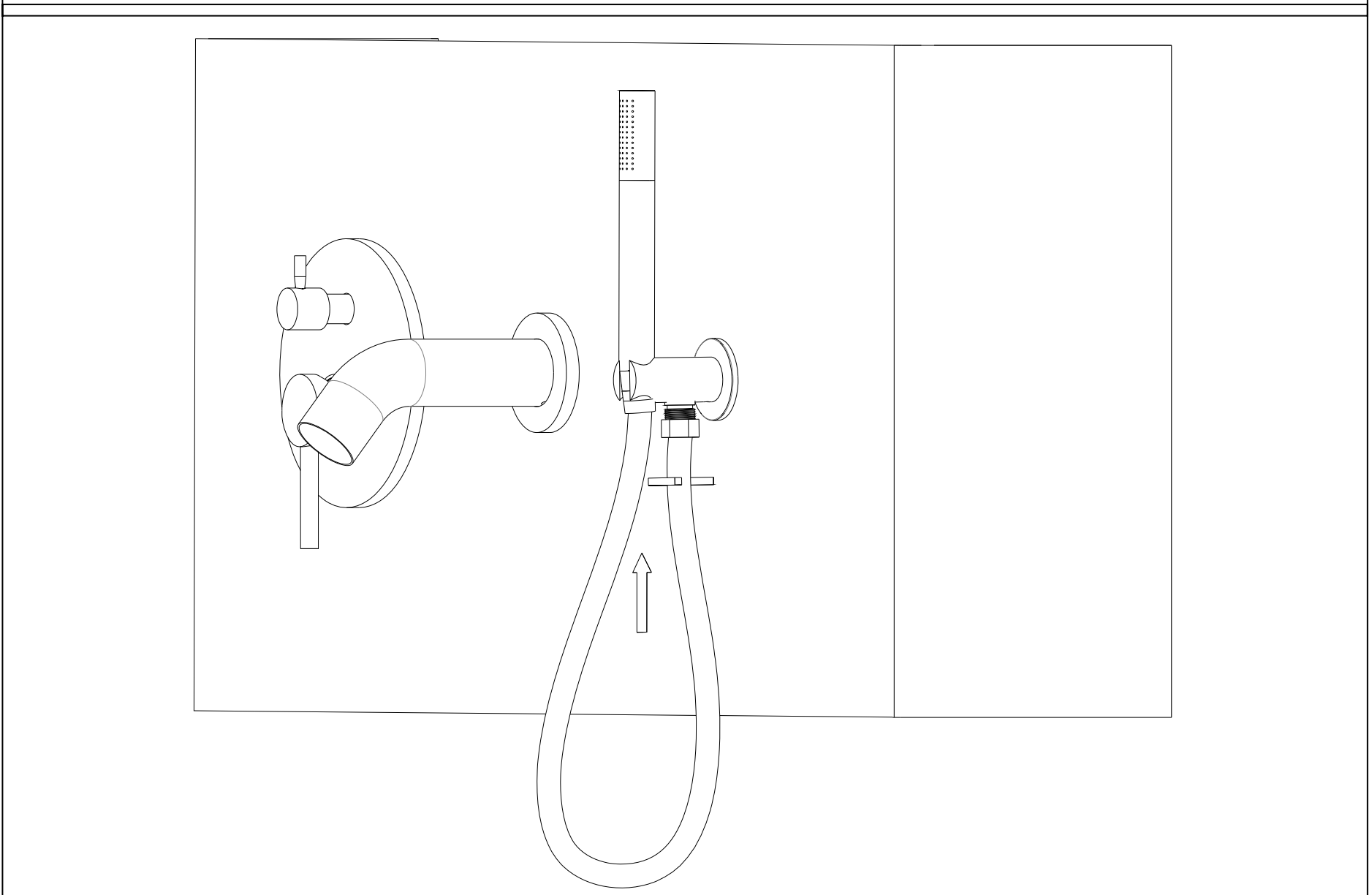
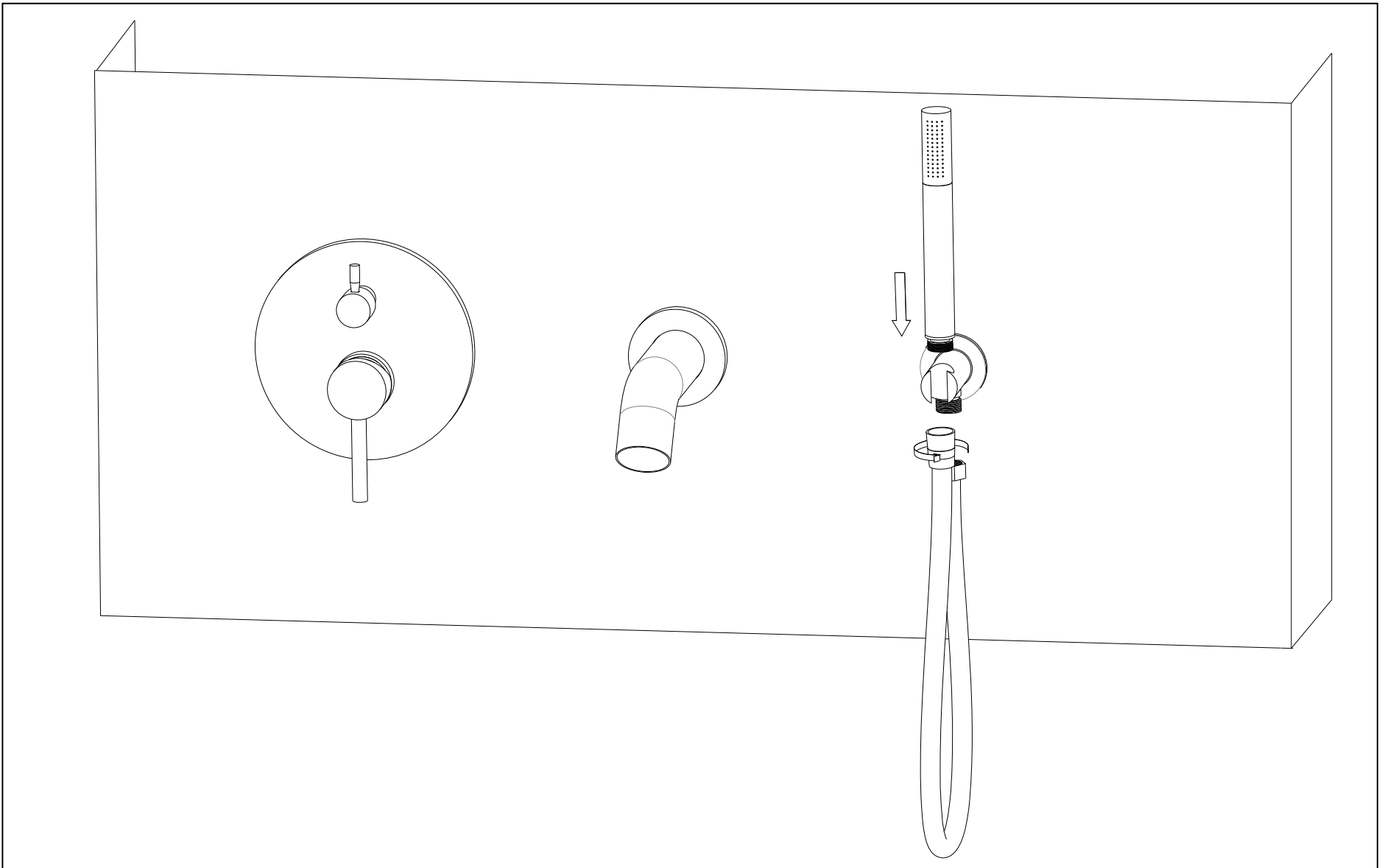
8.2 Push the flange to supply elbow from behind.



8.3 Screw the wall supply elbow into the pipe elbow inside the wall..



8.4 Connect the hand shower to the elbow with flexible hose.



9. INSPECTION

9.1 Turn on hot and cold water supply and check all connection for ensuring no leaking anywhere.

10. FUNCTION INSPECTION

10.1 Turn on the hot or cold knob respectively, the water outflow from the spout in turn.

10.2 Switch the diverter Knob, the water will rush from the handshower

CLEARNING RECOMMENDATION FOR SUMERAIN PRODUCTS

Modern lavatory faucets, kitchen faucets, and showers consist of very different materials to comply with the needs of the market with regard to design and functionality. To avoid damage and returns, it is necessary to consider certain criteria when cleaning.

Cleaning Materials for faucets and showers

Acids are a necessary ingredient of cleaning materials for removing lime, however please pay attention to the following points when cleaning faucets and showers:

- Only use cleaning materials which are explicitly intended for this type of application.
- Never use cleaning materials which contain hydrochloric, formic, phosphoric, or acetic acid, as they cause considerable damage.
- Never mix one cleaning material with another.
- Never use cleaning materials or appliances with an abrasive effect, such as unsuitable cleaning powders, sponge pads, or micro fiber cloths.

Cleaning instructions for faucets and showers

Please follow the cleaning material manufacturer's instructions. In addition, pay attention to the following points:

- Clean the faucets and showers as and when required.
- Use the amount of cleaning product and the amount of time recommended by the manufacturer. Do not leave the cleaner on the fixture longer than necessary.
- Regular cleaning can prevent calcification, if scale deposits are noticed on the faucet surface or the spout, you can clean it by a commercial limescale remover, such as Lime-Away® or CLR®. Dilute the remover according to the label instructions.
- The faucets might have some rusty if your faucet under hard water condition, please rub it with aluminum foil dipped in water until the surface is nice and smooth, and wipe it use a small amount of chrome polish or maybe something like car wax(such as Meguiar®, Turtle Wax®) or polish.
- For stainless steel faucet and spout both made of solid stainless, normally this finish has not protective coating on it(in particular waterfall spout inside),stainless steel is by its material nature very tarnish resistant, but by no means tarnish or stain proof. This finish might oxidize naturally over time and react to its environment. Keep your stainless fixture wiped clean and dry and use only a cleaner specifically made for stainless steel (such as Weiman®, CLR®).
- When using spray cleaners, spray first onto a soft cloth or sponge, never spray directly onto the faucet as droplets can enter openings and gaps and cause damage.
- After cleaning, rinse thoroughly with clean water to remove any cleaner residue.

Important

Residues of liquid soaps, shampoos, and shower foams can also cause damage, so rinse with clean water after using.



Please note: if the surface is already damaged, the effect of cleaning materials will cause further damage.

**Components with damaged surfaces must be replaced or injury could result.
Damage caused by improper treatment is not covered under the warranty.**

SUMERAIN®

HONGKONG SUMERAIN SANITARY INDUSTRY CO., LIMITED

Address: ROOM 1018, HOLLYWOOD PLAZA 610 NATHAN ROAD MONGKOK,
KL,HONGKONG

Factory Address:

25 building Tangkou Industrial Park, Shuikou town, Kaiping City,
Guangdong Province,
China

Factory Tel:

+86-750-2731579

Web: <http://www.sumerain.com>

E-mail: supports@sumerain.com

SUMERAIN AMERICA SUPPORT

Address: Pershing Rd Chicago IL 60632
USA

Tel: +1(866)2030-0866 /+1(773)240-5009

E-mail: supports@sumerain.com

SUMERAIN®

SUMERAIN SANITARY GROUP WWW.SUMERAIN.COM