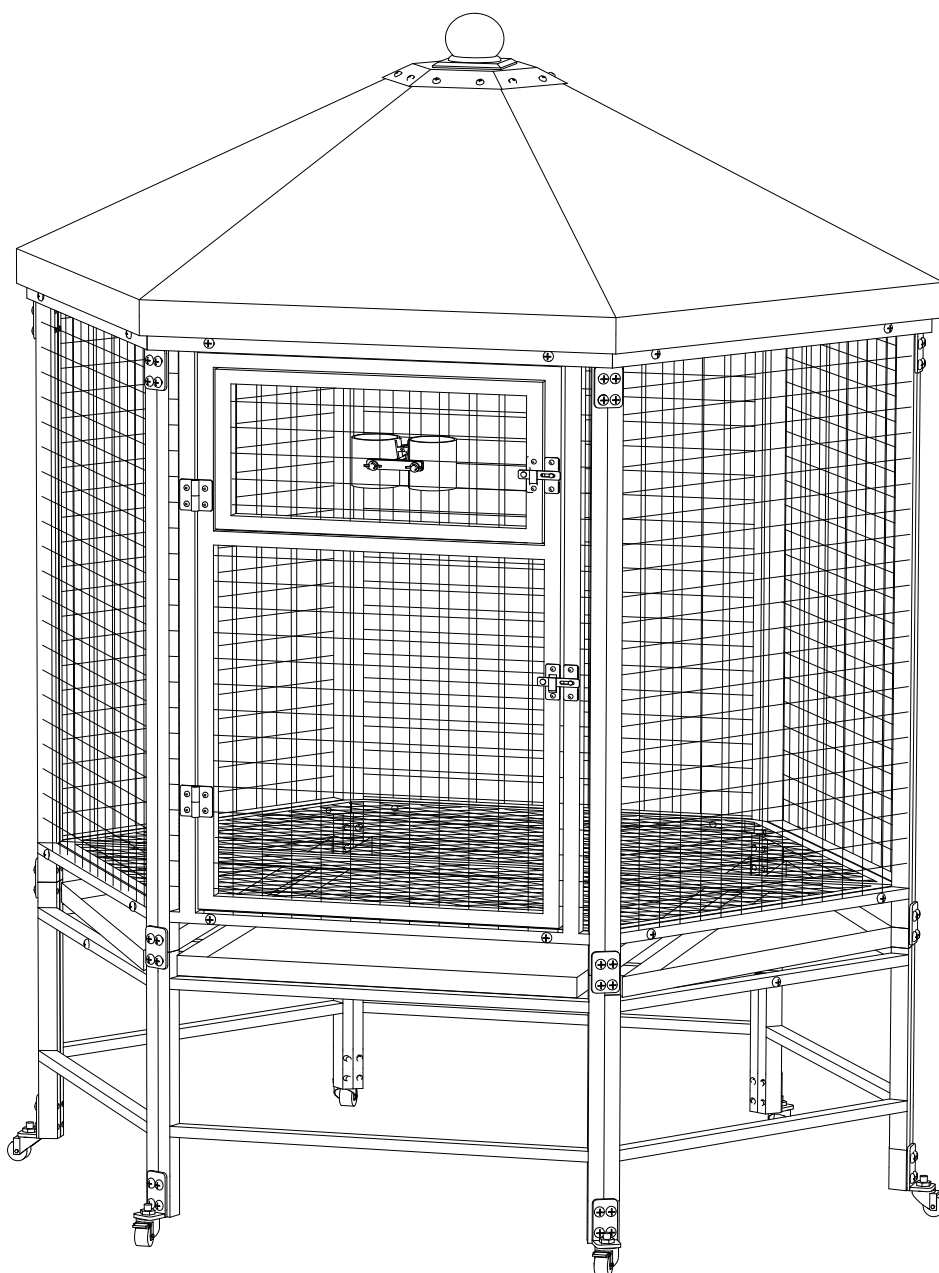


ASSEMBLY INSTRUCTION



IMPORTANT NOTICE

1.Pre-Assembly Preparation

Before beginning assembly, clear and illuminate your workspace to ensure a clean, flat surface. Assembly by two people is recommended.

2.Read Instructions Thoroughly

Read all assembly instructions completely before starting. Incorrect assembly may compromise the structural integrity of the cage, posing risks of bird escape, injury, or cage tipping.

3.Use Correct Tools and Tighten Appropriately

Use only the tools provided or recommended. As this is a large, metal cage, ensure all screws and connectors are sufficiently tightened, but avoid excessive force to prevent stripping the metal threads.

4.Ensure Absolute Stability of the Cage

Once assembled, test the cage's stability by applying firm pressure to all sides. The cage must be placed on a solid, level floor. Never hang heavy objects from the top or allow birds to climb excessively on the cage walls, as this may affect stability.

5.Beware of Small Parts and Packaging Materials

During and after assembly, immediately and properly dispose of all small parts (e.g., screws, nuts), plastic bags, foam, and other debris. Store them out of reach of children and pets to prevent choking hazards or accidental ingestion.

6.Safe Handling and Placement

This is a large, heavy, floor-standing cage. Always move it with the assistance of two or more people. Support the cage by its bottom frame and main support posts during movement. Do not lift or pull the cage by the top or door, to avoid structural deformation or pinching injuries. Finalize the assembly only after the cage is in its permanent location.

7.Regular Safety Inspections

To ensure long-term safety, conduct regular inspections (recommended monthly):

- Ensure all door locks, latches, and moving parts operate smoothly and lock securely.
- Check all weld joints, connection points, and the bottom frame for any cracks, corrosion, or loosening.
- Inspect the metal bars for any abnormal bending, breakage, or sharp burrs.
- Verify that the cage's feet or base rests stably and shows no signs of sinking or wear.

If any damage or potential hazard is found, stop use immediately and repair or replace the cage.

Following these guidelines will provide a stable and secure long-term habitat for your bird.

CARE AND CLEANING

Many household cleaners contain harsh chemical or abrasive substances that may damage the protective coating or the metal itself. For routine cleaning, use only a mild, bird-safe detergent diluted in water. After cleaning, thoroughly dry all surfaces, including bars, trays, and corners, with a clean, soft cloth to prevent moisture buildup.

Place the cage in a well-ventilated area and avoid prolonged exposure to damp conditions. Regularly moving the cage to a ventilated spot for airing is recommended. This practice helps maintain dryness, control odor, and promote a healthy environment for your bird, thereby extending the product's lifespan.

This iron cage features an anti-corrosion coating suitable for typical indoor humidity and bird-related moisture. To preserve its condition, promptly wipe up any water spills, food debris, or droppings. Ensuring good environmental ventilation is key to managing overall humidity levels.

Maintenance of Door and Moving Parts: Regularly wipe the door tracks, latches, hinges, and any other moving mechanisms with a soft, dry cloth to remove dust, feather particles, or debris. This ensures smooth and secure operation. If surfaces become wet, dry them immediately. Never place the cage near open flames, heaters, stoves, or other high-temperature heat sources.

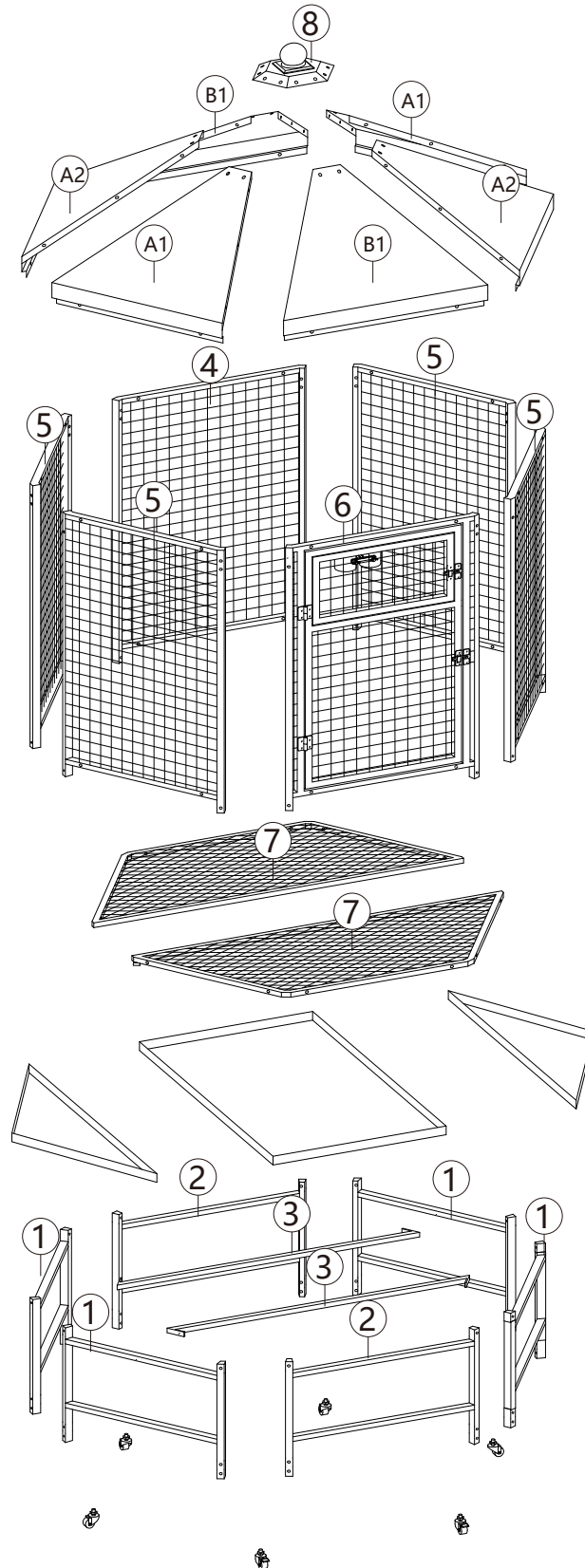
Safety Warning: Do not allow children to climb, hang on, or swing on the cage. Adults should also avoid leaning on or placing heavy objects on the structure, as this may cause the large cage to become unstable, tip over, or sustain damage, risking serious injury to people, pets, or the bird inside. Always ensure the cage is on a stable, level floor.

NOTE:

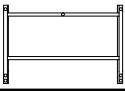

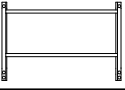
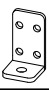
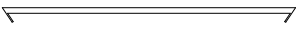
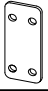
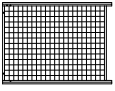
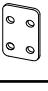
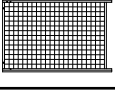

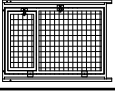
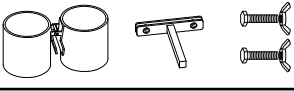


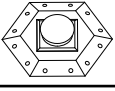
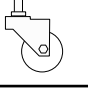
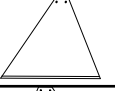
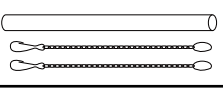

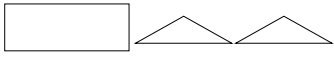
Initially, only hand-tighten the screws to leave enough room for minor adjustments during alignment. Tighten everything securely once the frame is complete.

ASSEMBLY DIAGRAM

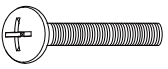
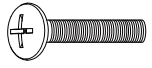
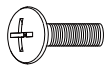

1. Refer to the exploded view below for the approximate location of each component.
2. Each part is labeled for easy identification.
3. Follow the assembly instructions carefully to ensure proper installation.



PARTS LIST

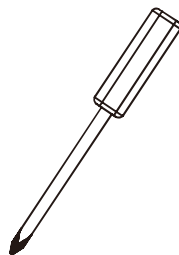
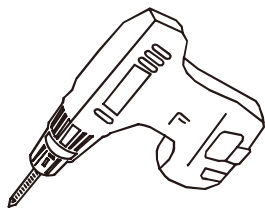
No.	Description	QTY	No.	Description	QTY
1		4	B1		2
2		2	a		6
3		2	b		6
4		1	c		6
5		4	e		2
6		1			1
7		2			2
8		1			4
A1		2			1
A2		2			1

HARDWARE LIST

No.	Description	QTY
A	 M6*25	28
B	 M6*20	72
C	 M6*10	30
D	 M6	46

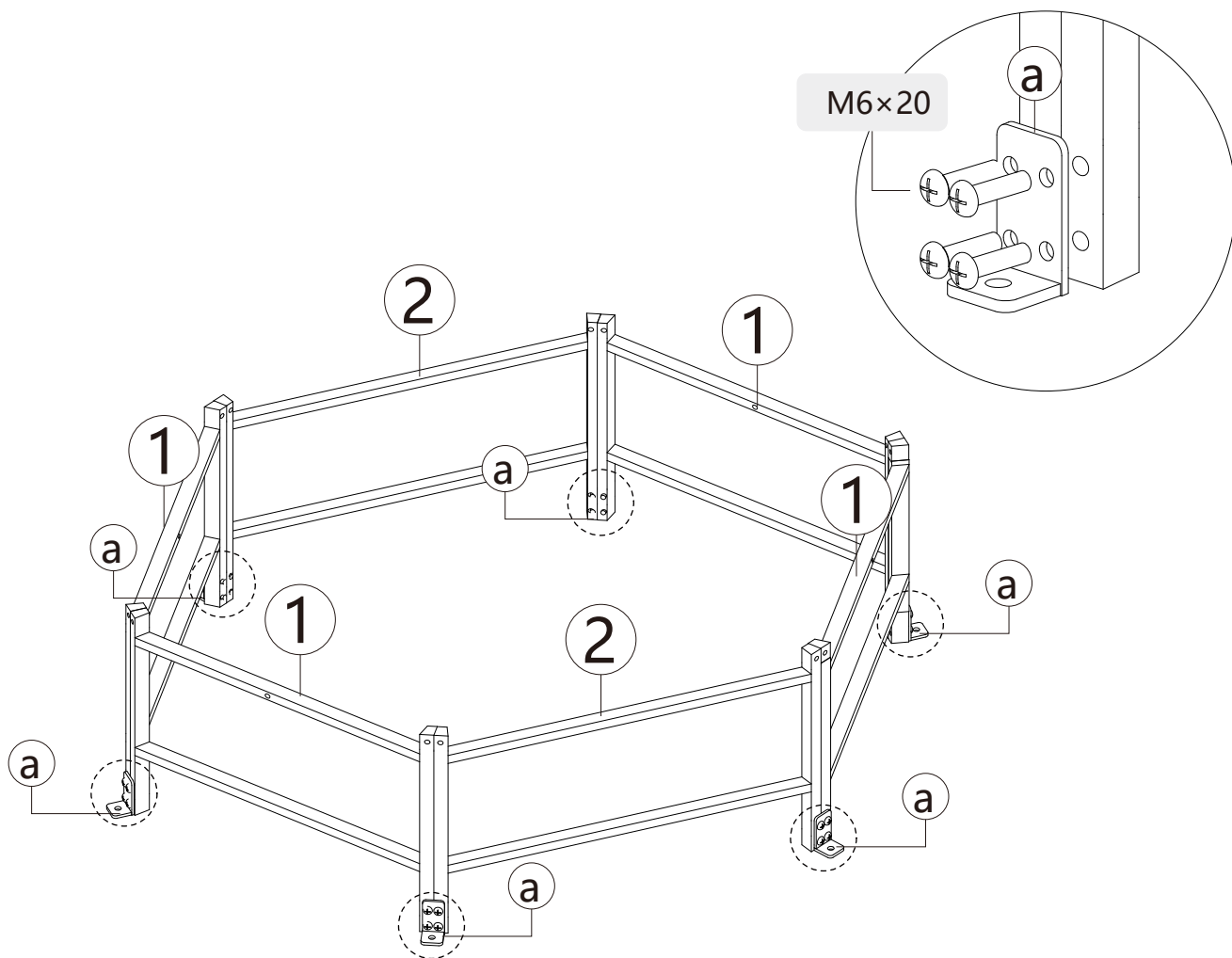
CAUTION: Please confirm the parts list before installation

YOU MAY NEED (NOT SUPPLIED)

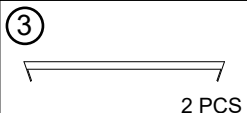




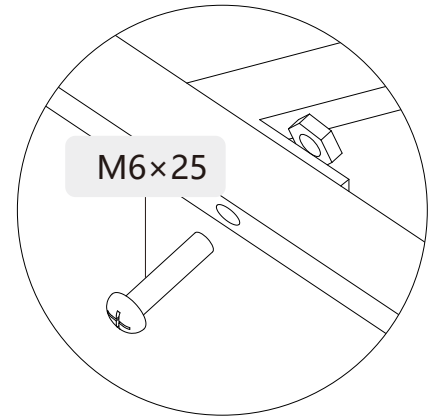
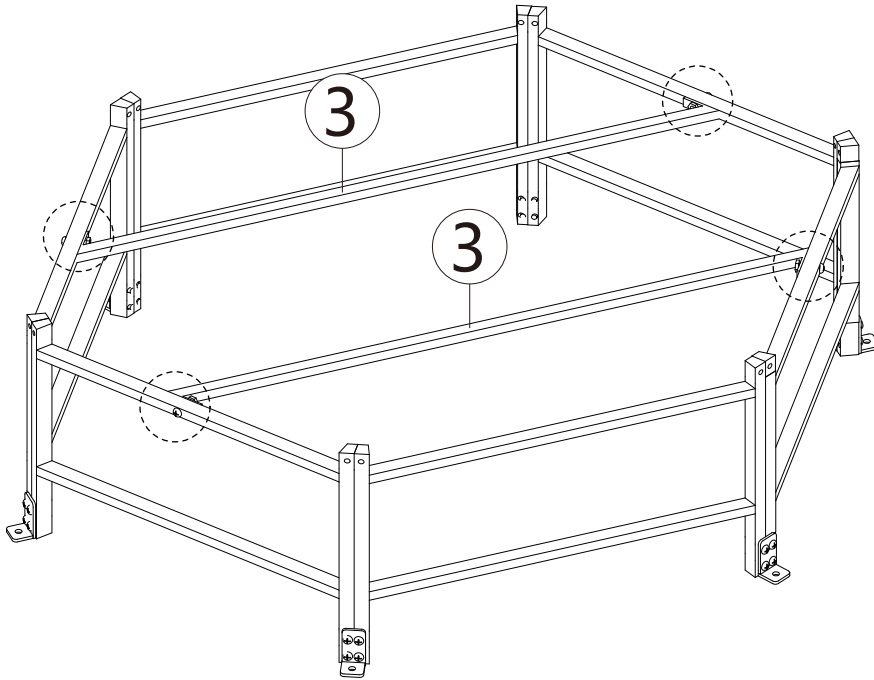
1

 ① 4 PCS	 ② 2 PCS	 a 6 PCS	 M6*20 24 PCS
-------------	-------------	-------------	------------------

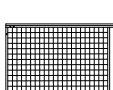
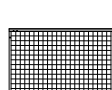
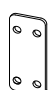

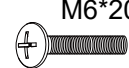


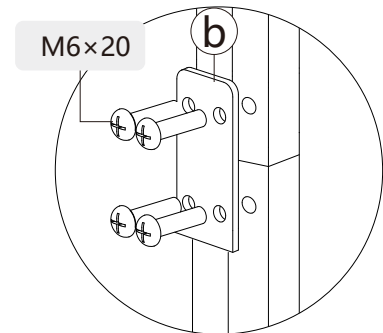
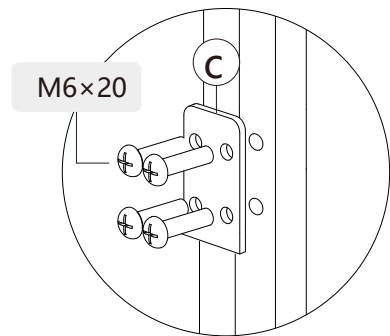
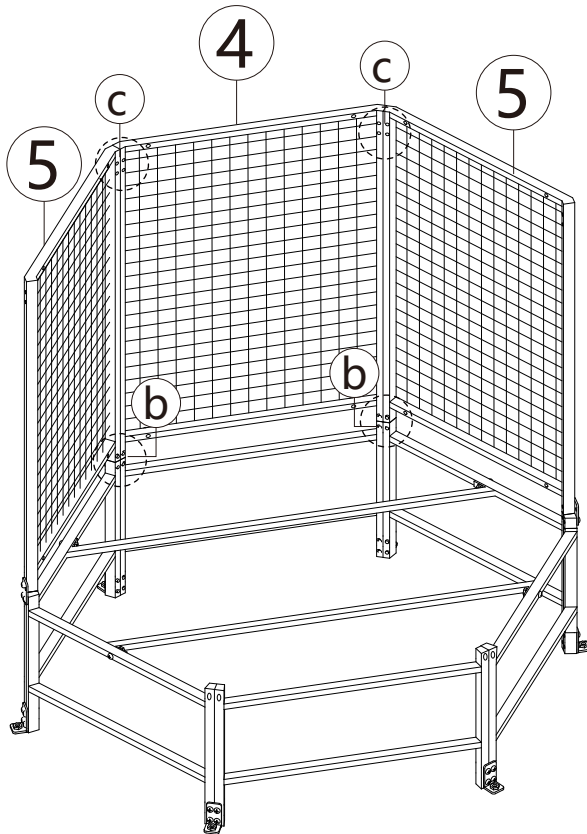
2

 ③ 2 PCS	 M6*25 4 PCS	 4 PCS
---	---	--

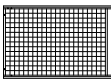
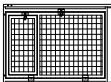
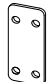

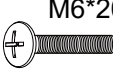


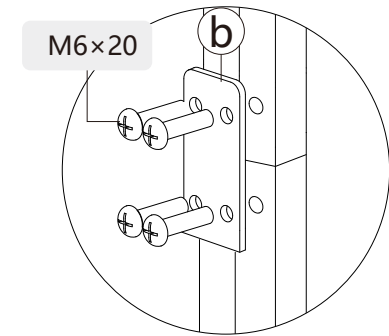
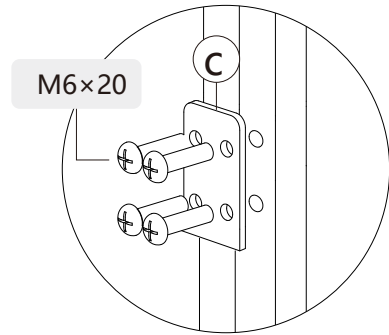
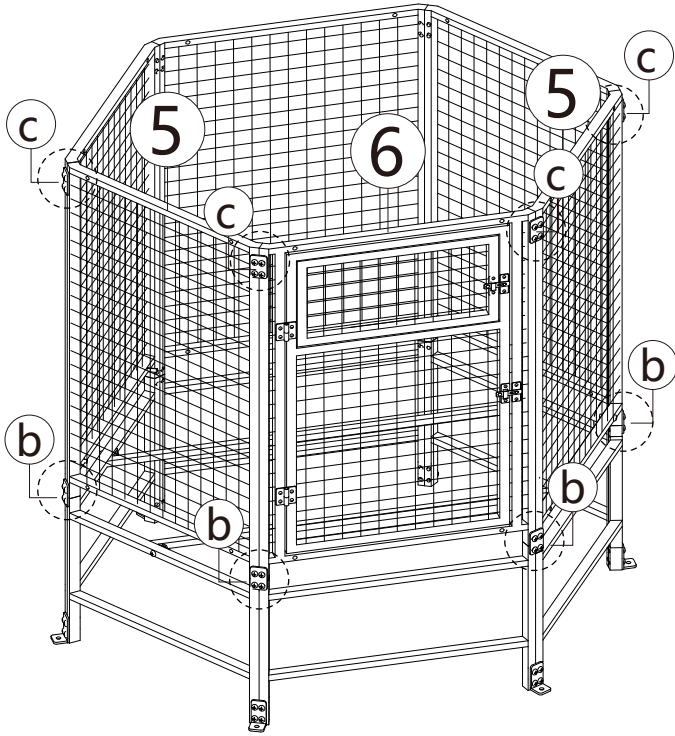
3

 ④ 1 PCS	 ⑤ 2 PCS	 b 4 PCS	 c 2 PCS	 M6*20 16 PCS
---	---	---	---	--

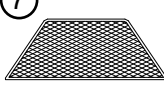
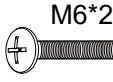


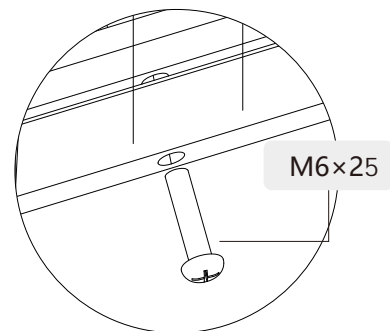
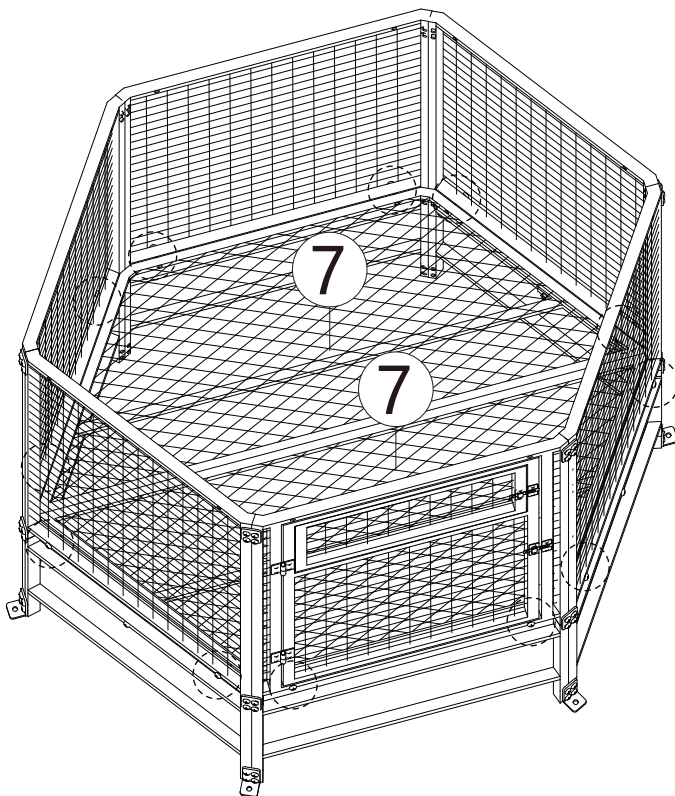
4

 ⑤ 2 PCS	 ⑥ 1 PCS	 b 4 PCS	 c 4 PCS	 M6*20 32 PCS
---	---	---	---	--

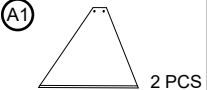

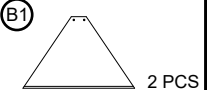
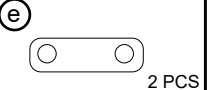




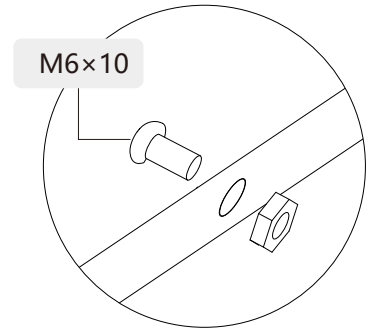
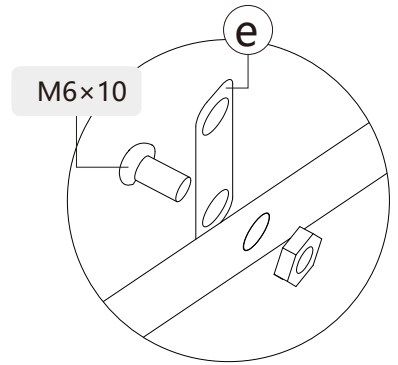
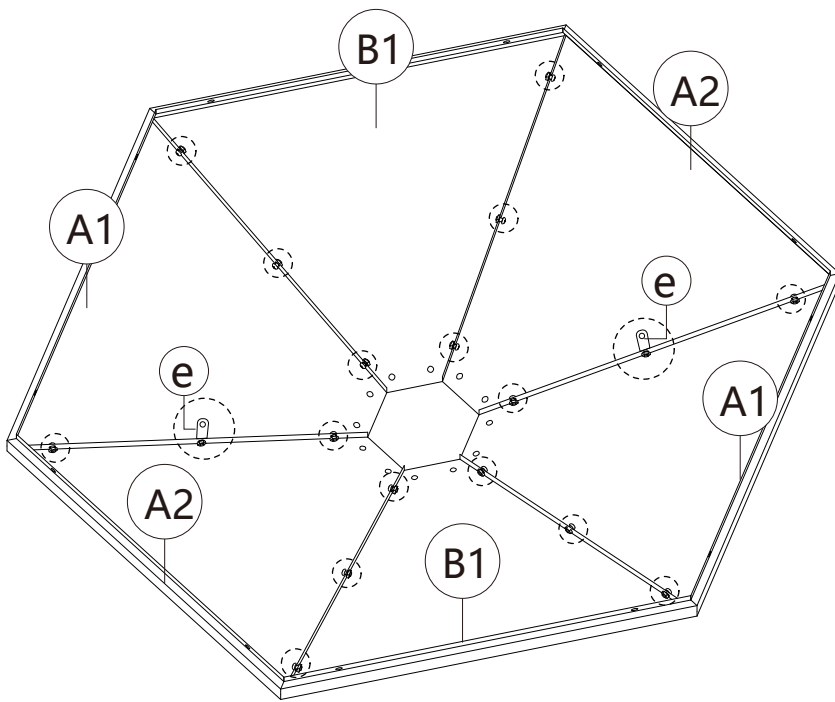
5

 ⑦ 2 PCS	 M6*25 12 PCS
--	--

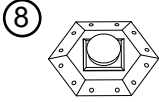




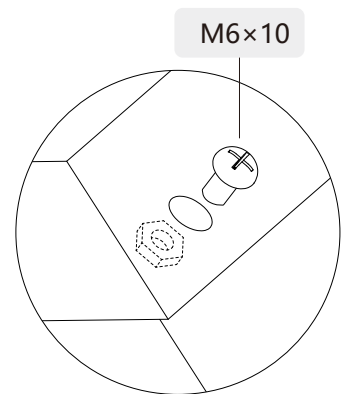
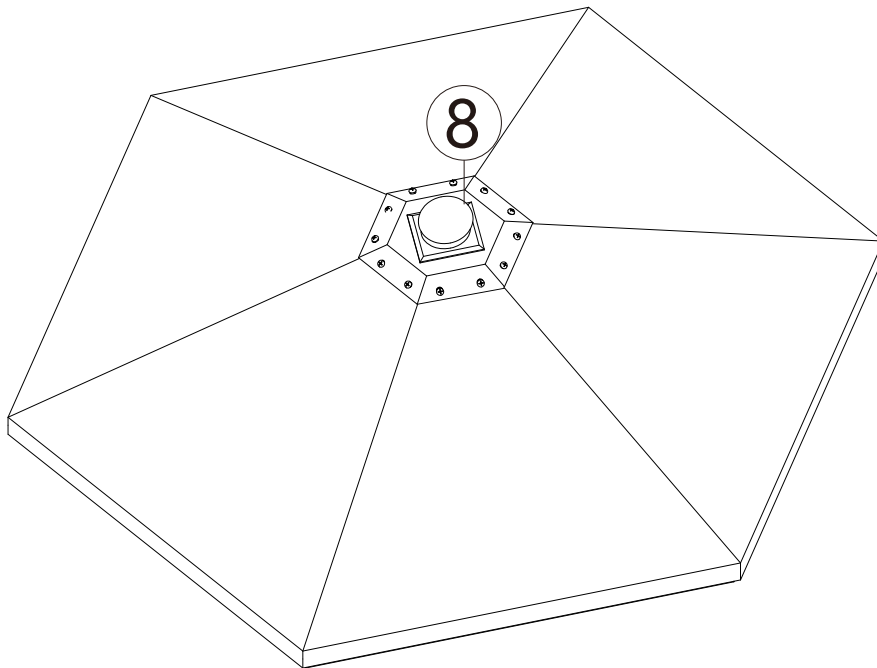
6

 A1 2 PCS	 A2 2 PCS	 B1 2 PCS	 e 2 PCS	 M6*10 18 PCS	 M6 18 PCS
--	--	--	--	--	---

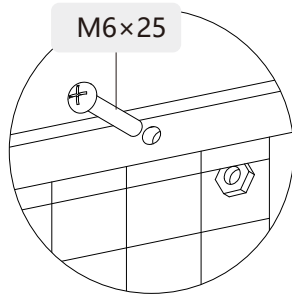


7

 8 1 PCS	 M6*10 12 PCS	 M6 12 PCS
---	--	---

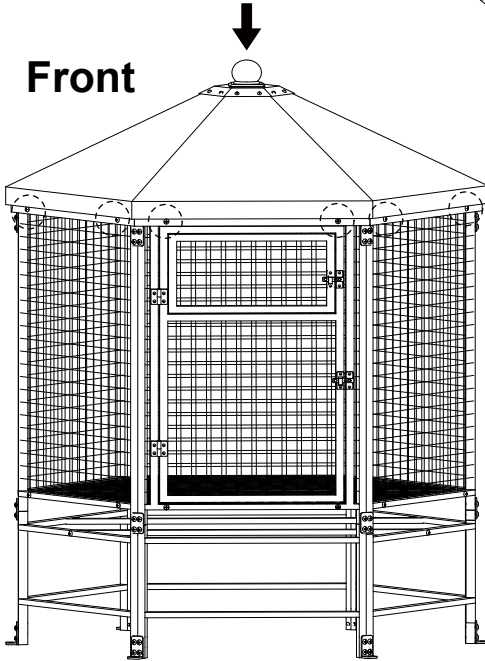


8

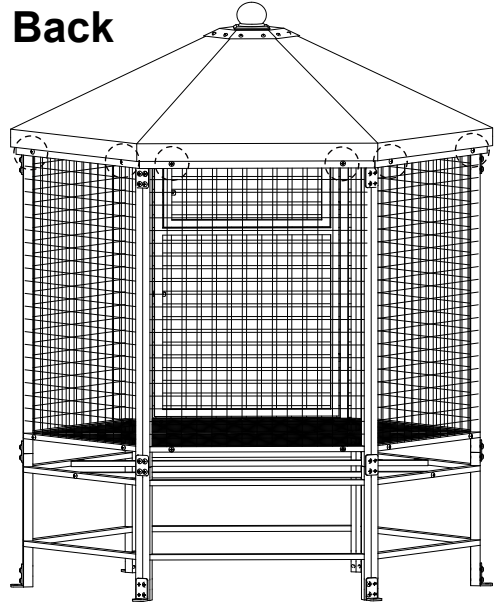


 M6*25 12 PCS	 M6 12 PCS
---	---



Front

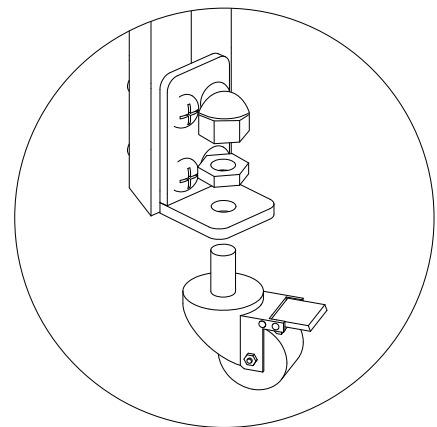
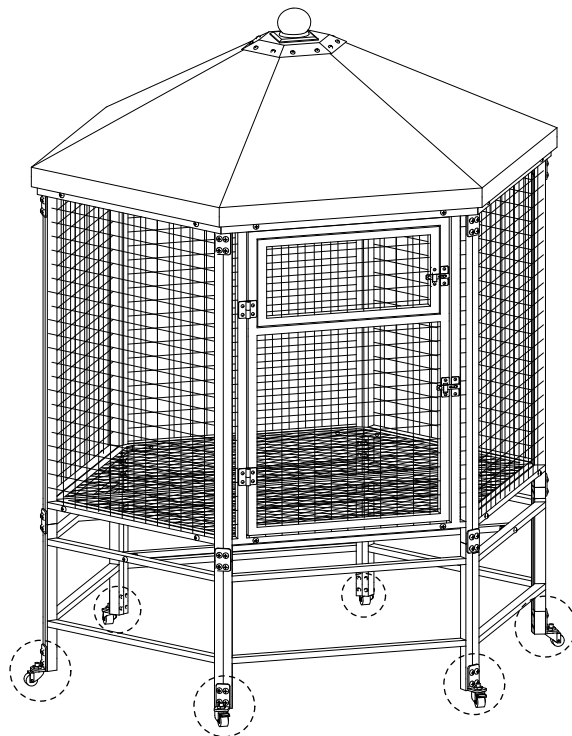


Back

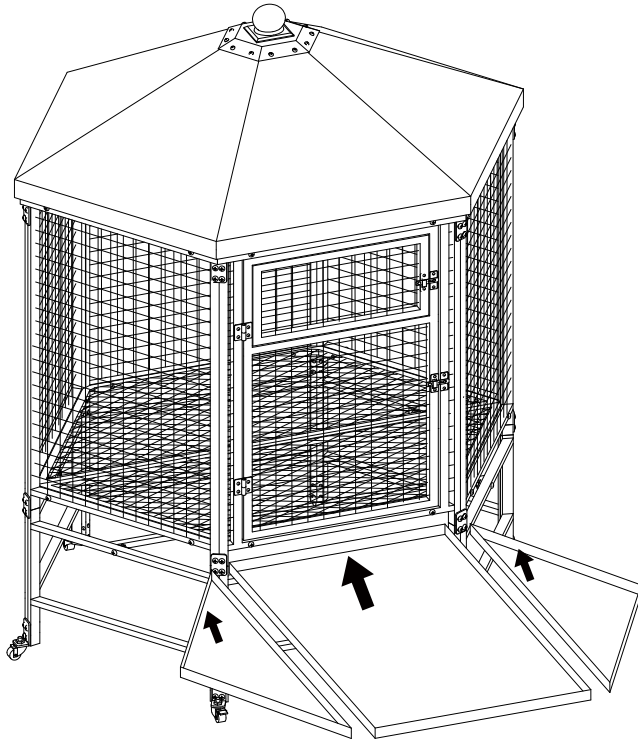
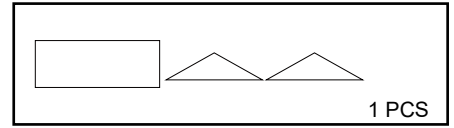


9

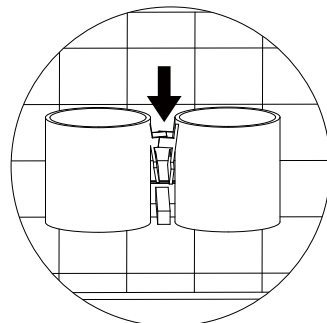
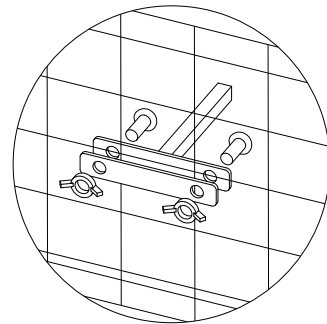
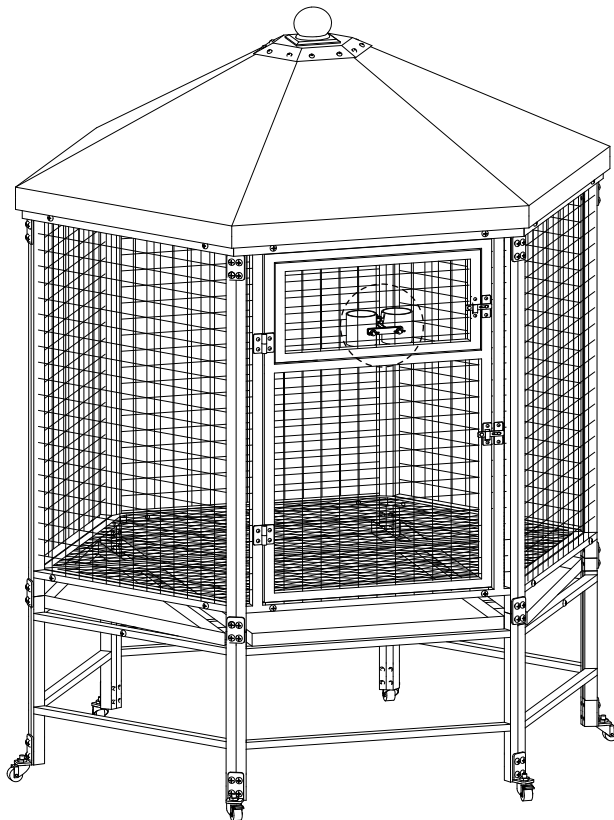
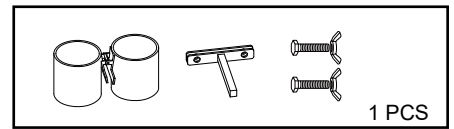
 2 PCS	 4 PCS
--	--



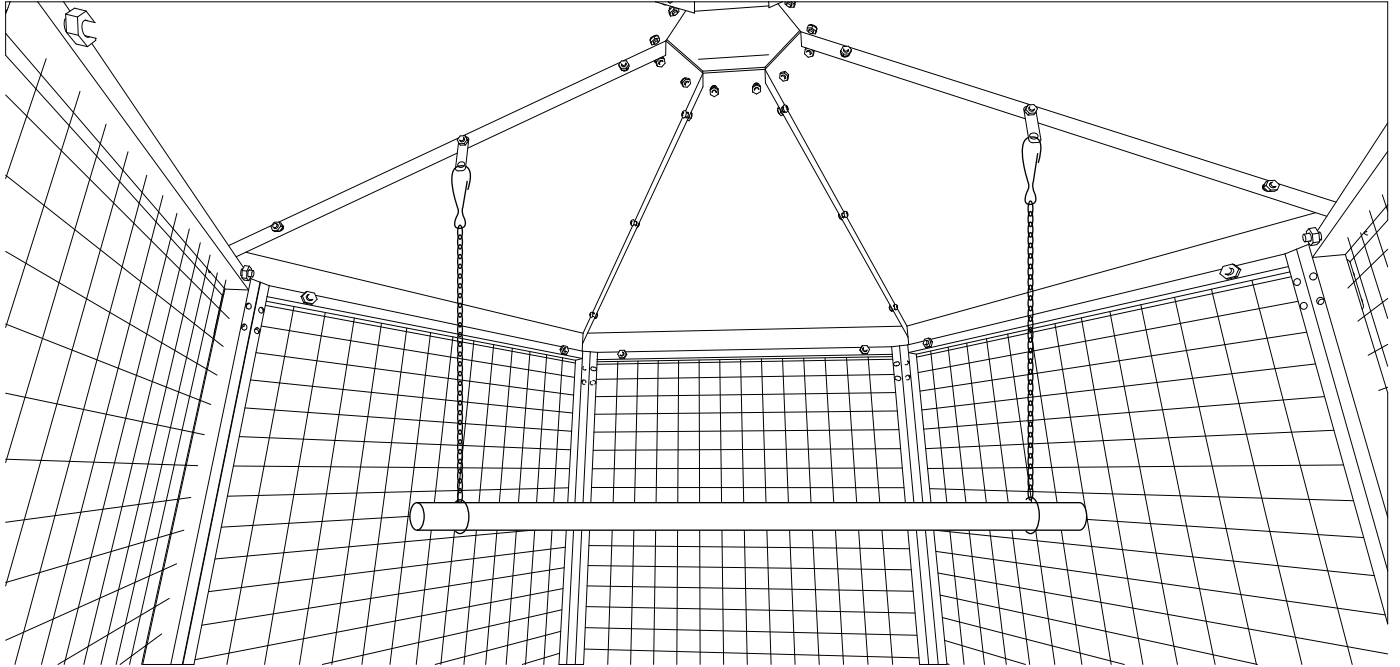
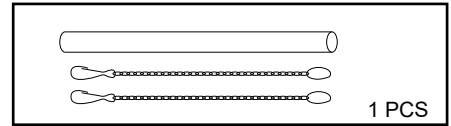
10



11



12



THANK YOU

Thank you for choosing our product. We sincerely hope that the assembly process has been smooth and enjoyable for you. If you have any questions or suggestions during the use of the product, please feel free to contact us.