

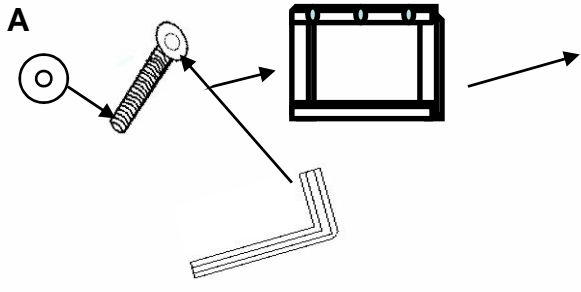
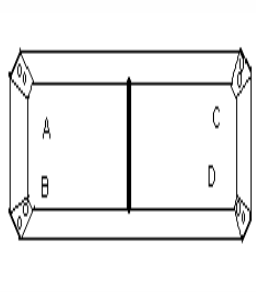
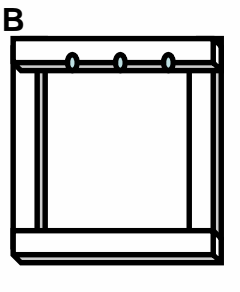
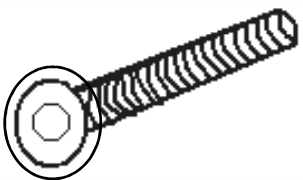
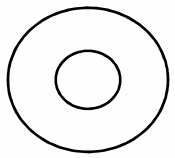
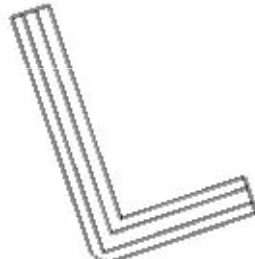
Assembly Instructions

COFFEE TABLE/LAMP TABLE

Please read these instructions fully before commencing assembly and retain for future reference.

Carefully remove the packaging and check that all the component parts and fixings are included. See the ABC chart for a full list of contents.

CONTENTS :

| | | | |
|---|---|---|---|
|  | |  |  |
| 1 Pcs. | | 2 Pcs. | |
|  |  |  | |
| 6 Pcs. | 6Pcs. | 1 Pcs. | |

Assembly

We recommend that you separate all the components into their groups and lay them out neatly for easy identification and assembly.

Step 1. Place the tabletop A upside down, taking care not to scratch the surface. Place each numbered leg B matching to the exact same numbered corner on the table top and secure using bolt. C, and washer D. Repeat for each leg.

Once all legs are correctly positioned and aligned, tighten each leg fully with L "Key" E. Check all fixings periodically for loosening and tighten if necessary.