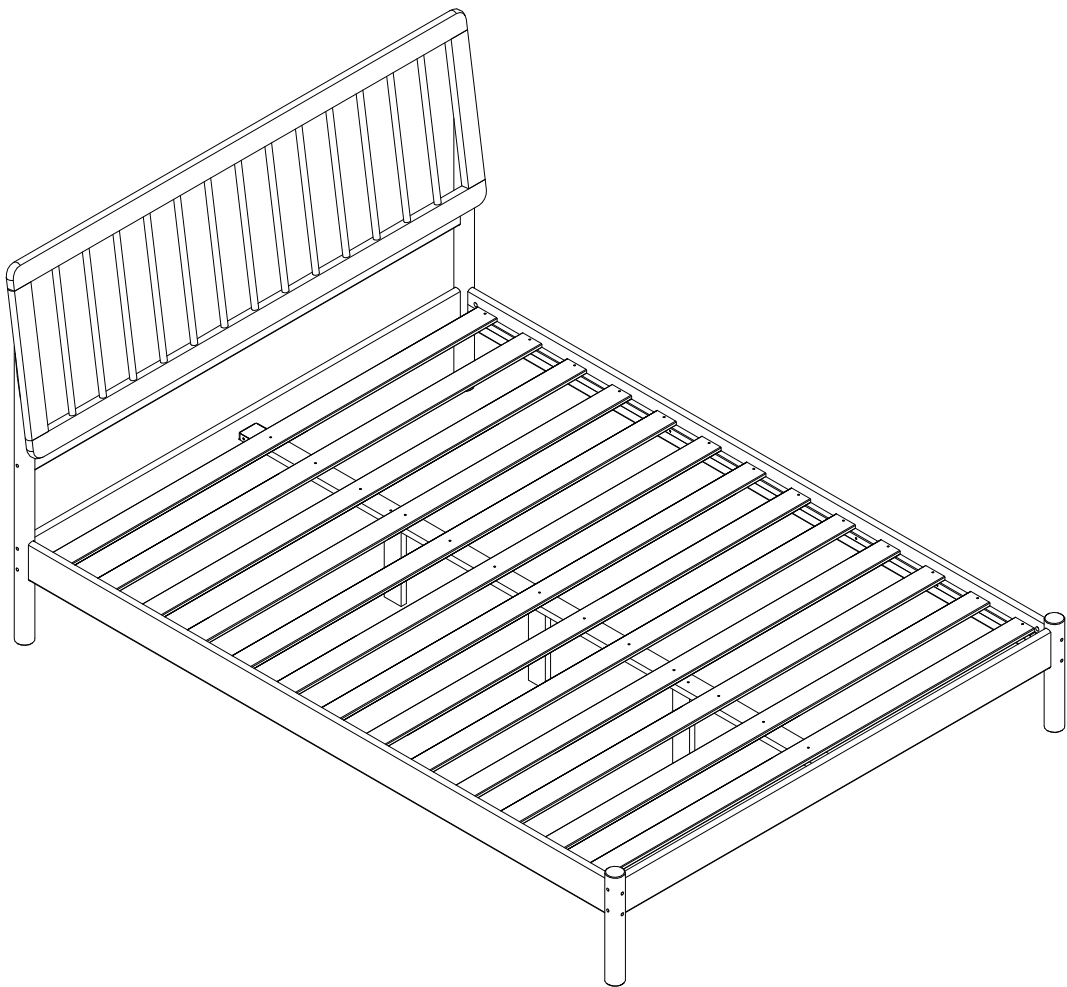
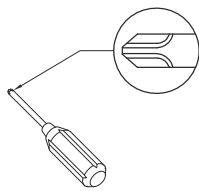


Assembly Instructions

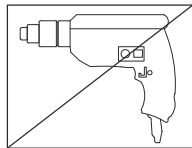


General Assembly Guidelines

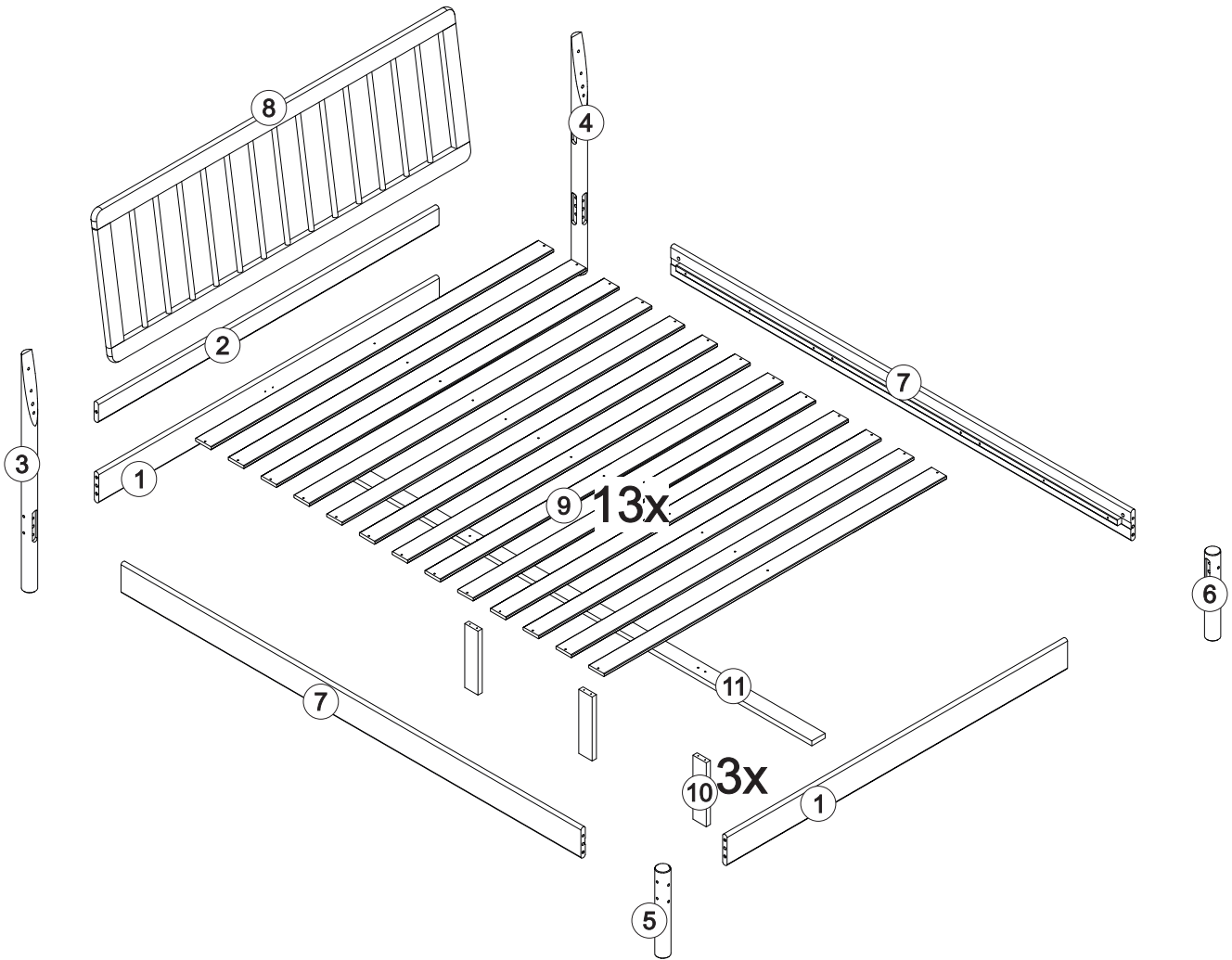
- I. Ensure that all parts and hardware are available before beginning assembly.
- II. Follow each step carefully to ensure the proper assembly of this product.
- III. Two people are recommended for ease in the assembly of this product.
- IV. The three main types of hardware used to assemble this product are : wood dowels , screws and bolts.
- V. A Phillips head screwdriver is required for the assembly of this product .



- VI. Power tools should not be used to assemble this product .



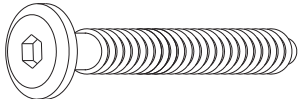
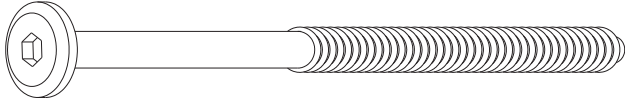
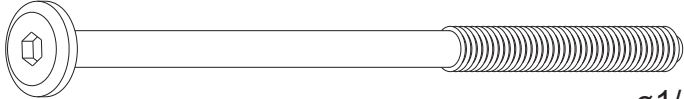

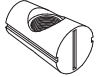

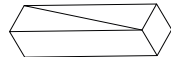

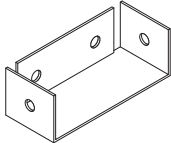
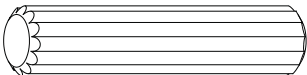
Parts List

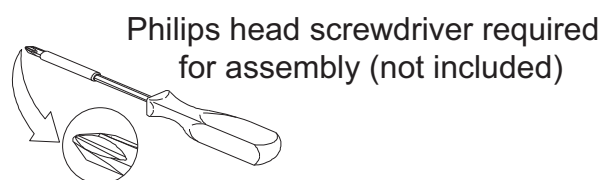


Part #	Description	Qty
1	Headboard And Footboard Platter	02 pcs
2	Headboard Middle Crosspiece	01 pcs
3	Headboard Left Foot	01 pcs
4	Headboard Right Foot	01 pcs
5	Left Foot Of The Footboard	01 pcs
6	Right Foot Of The Footboard	01 pcs
7	Bed Crosspiece	02 pcs
8	Headboard	01 pcs
9	Slat	13 pcs

Part #	Description	Qty
10	Center Foot	03 pcs
11	Center Slat	01 pcs

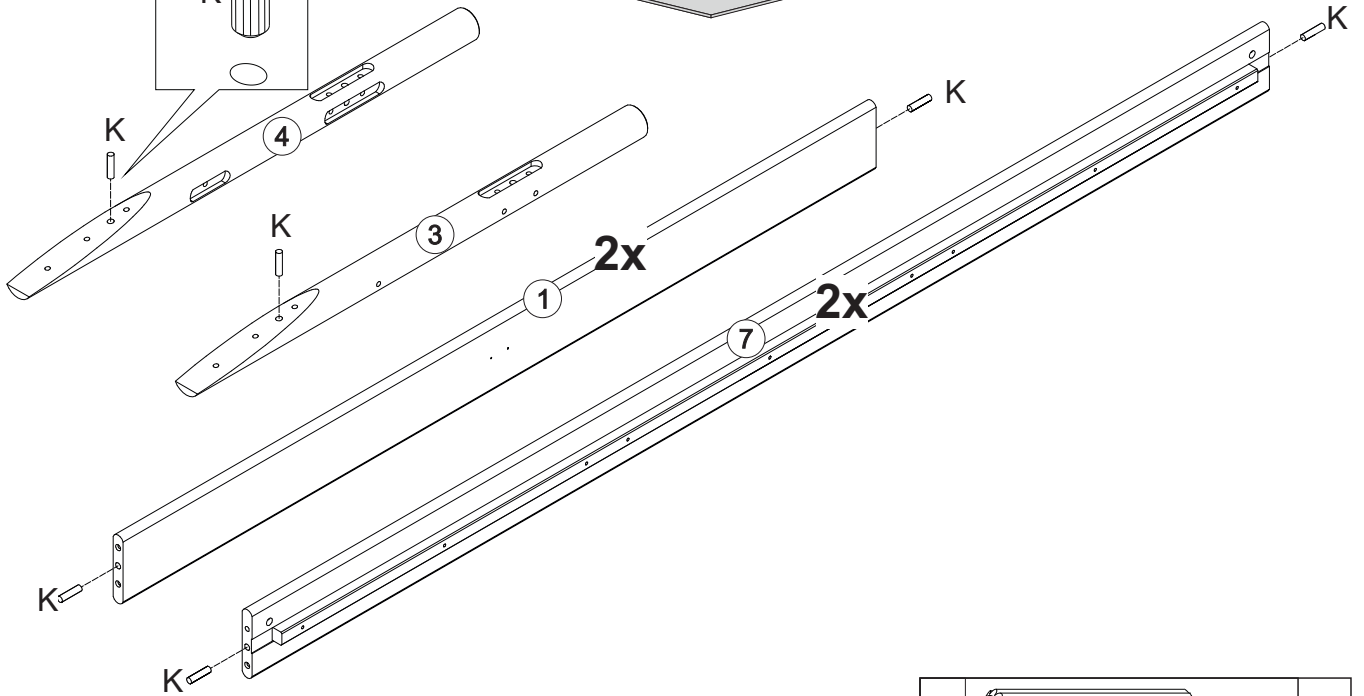
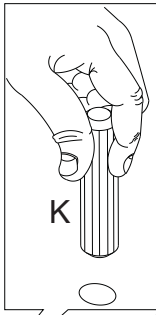
Hardware List

A			Bolt	12 pcs
		$\text{\textcircled{O}}7,0''*40\text{mm}$		
B			Bolt	14 pcs
		$\text{\textcircled{O}}7,0''*80\text{mm}$		
C			Bolt	04 pcs
		$\text{\textcircled{O}}1/4''*90\text{mm}$		
D			Hex key	01 pc
E			Nut	04 pcs
F		$\text{\textcircled{O}}4.0*30\text{mm}$	Screw	39 pcs
G			Space Block	02 pcs
I		$\text{\textcircled{O}}4.0*16\text{mm}$	Screw	08 pcs
J			Support	02 pcs
K		$\text{\textcircled{O}}10*40\text{mm}$	Dowel	10 pcs




*The hardware quantities listed above are required for proper assembly.
Some extra hardware may also have been included.*

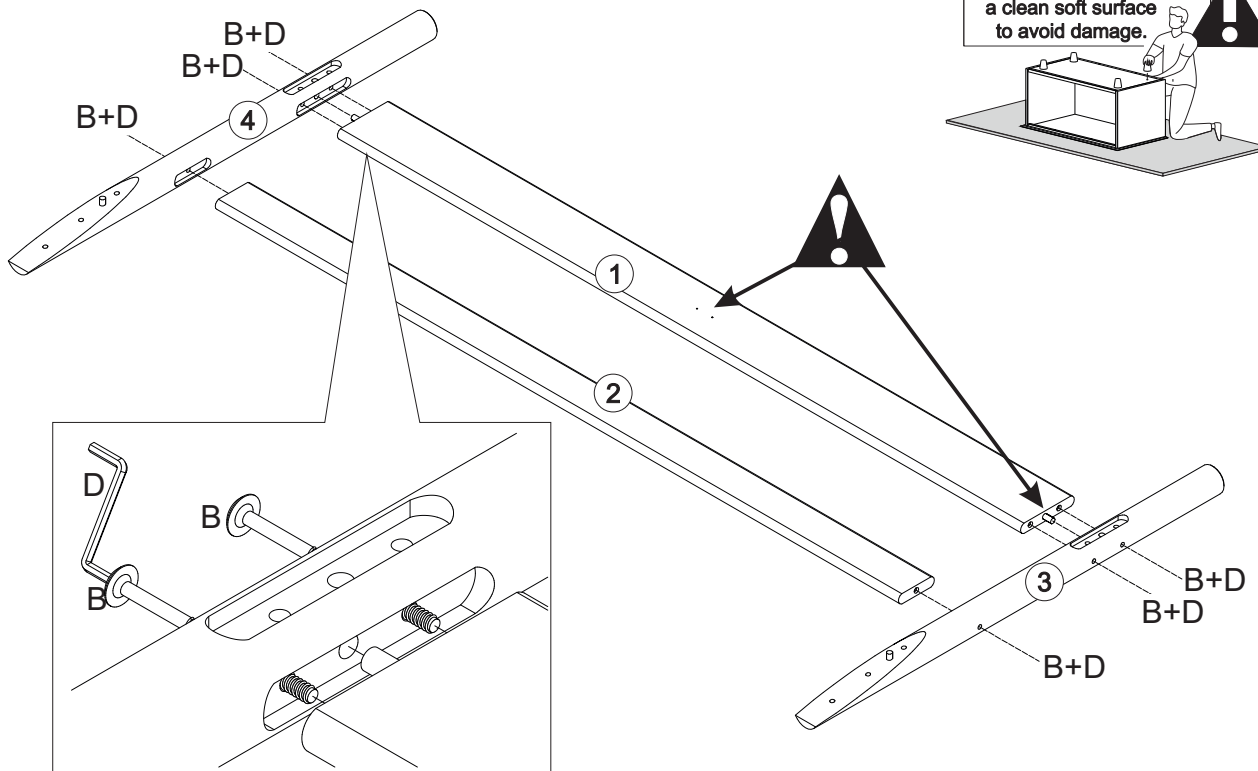
Step 1



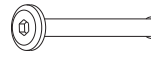

Insert the dowel K to the parts 1, 3, 4 and 7.

K		10 ø10*40mm
---	--	----------------

Step 2



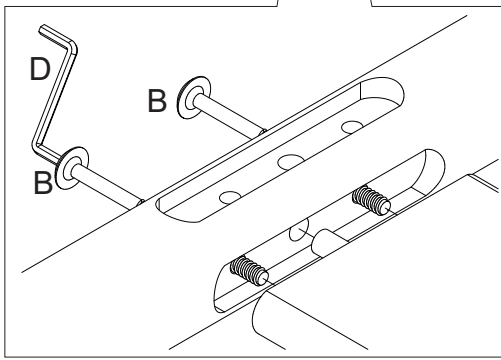
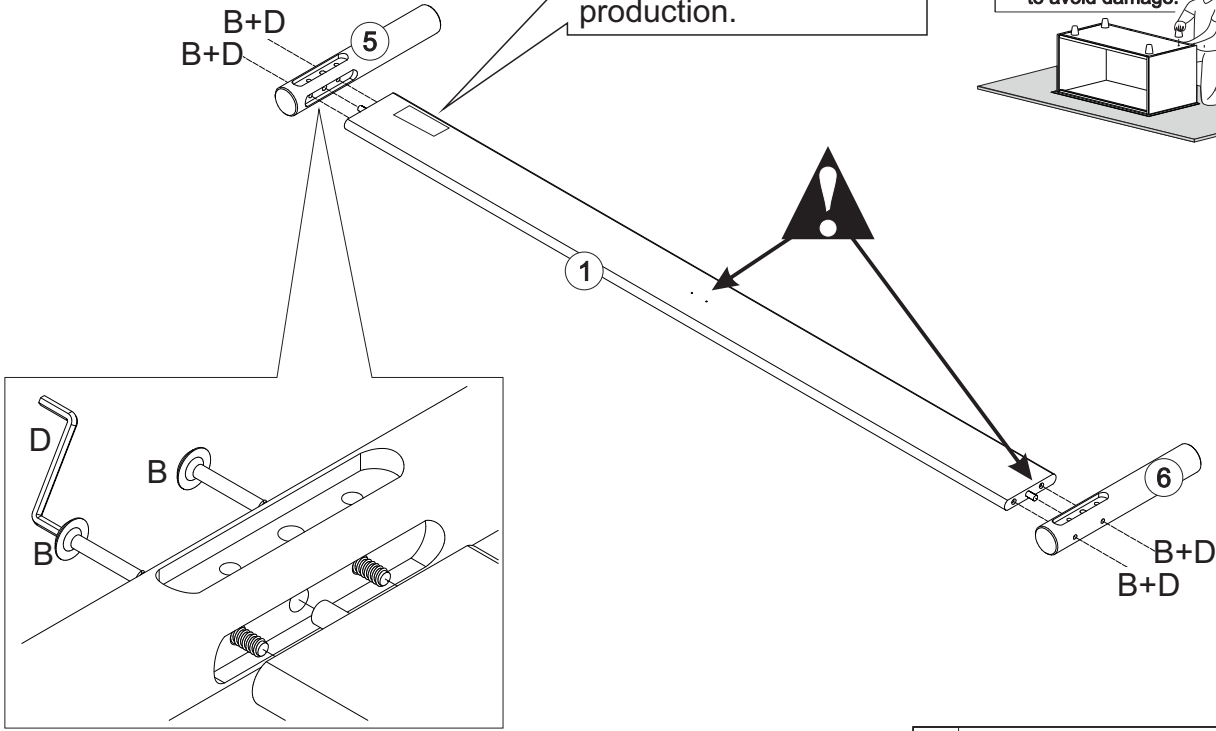
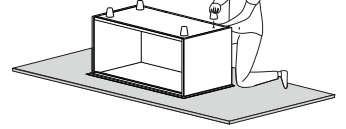
Attach part 1 and 2 to part 3 and 4 with screw B and hex key D.

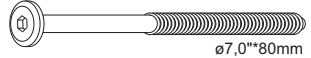

B		06 ø7,0**80mm
D		01

Step 3

Name and address of the supplier and date of production.

Please assemble on a clean soft surface to avoid damage.

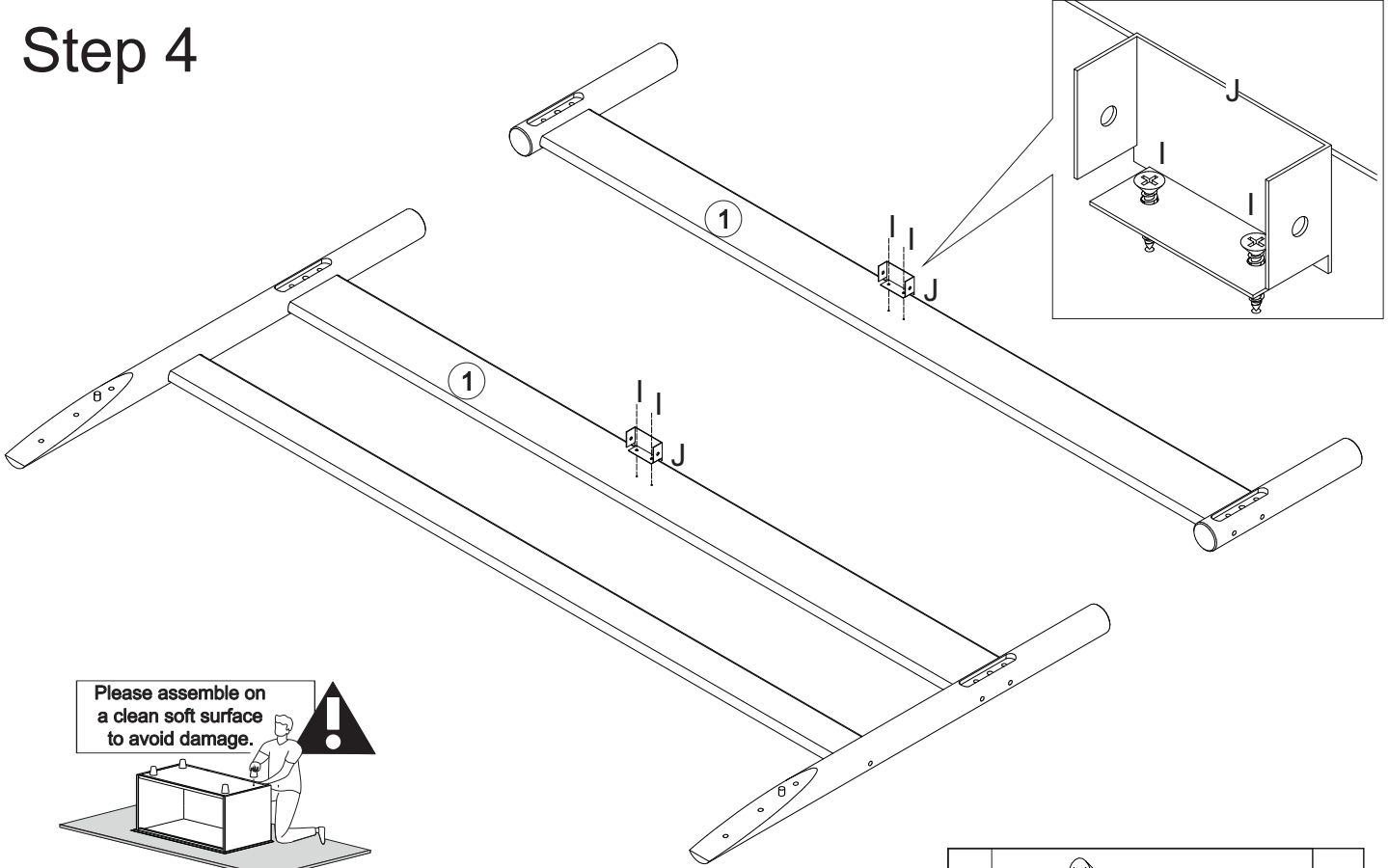
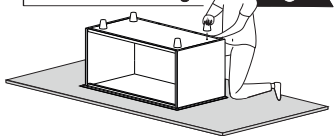


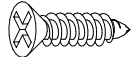

B		04
<small>ø7,0**80mm</small>		
D		01

Attach part 1 to part 5 and 6 with screw B and hex key D.

Step 4

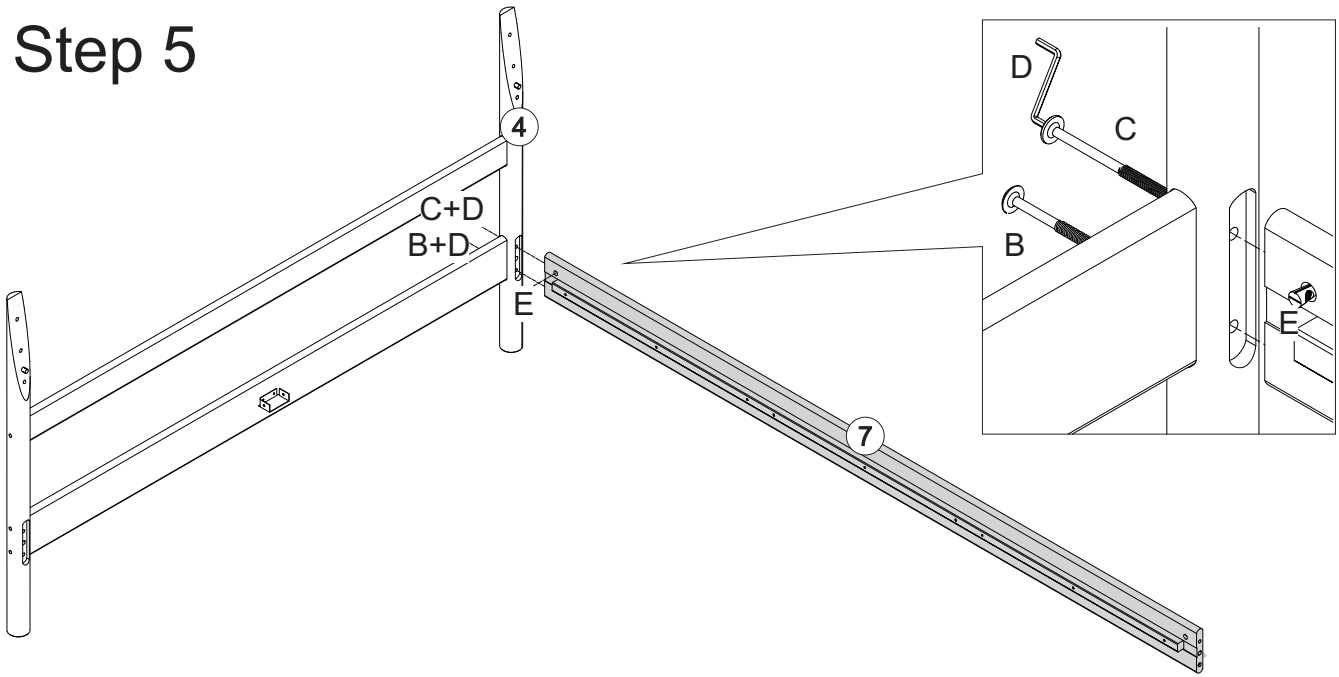
Please assemble on a clean soft surface to avoid damage.







I		04
<small>ø4,0*16mm</small>		
J		02

Apply support J on part 1 and fix with screw I and phillips head screwdriver.

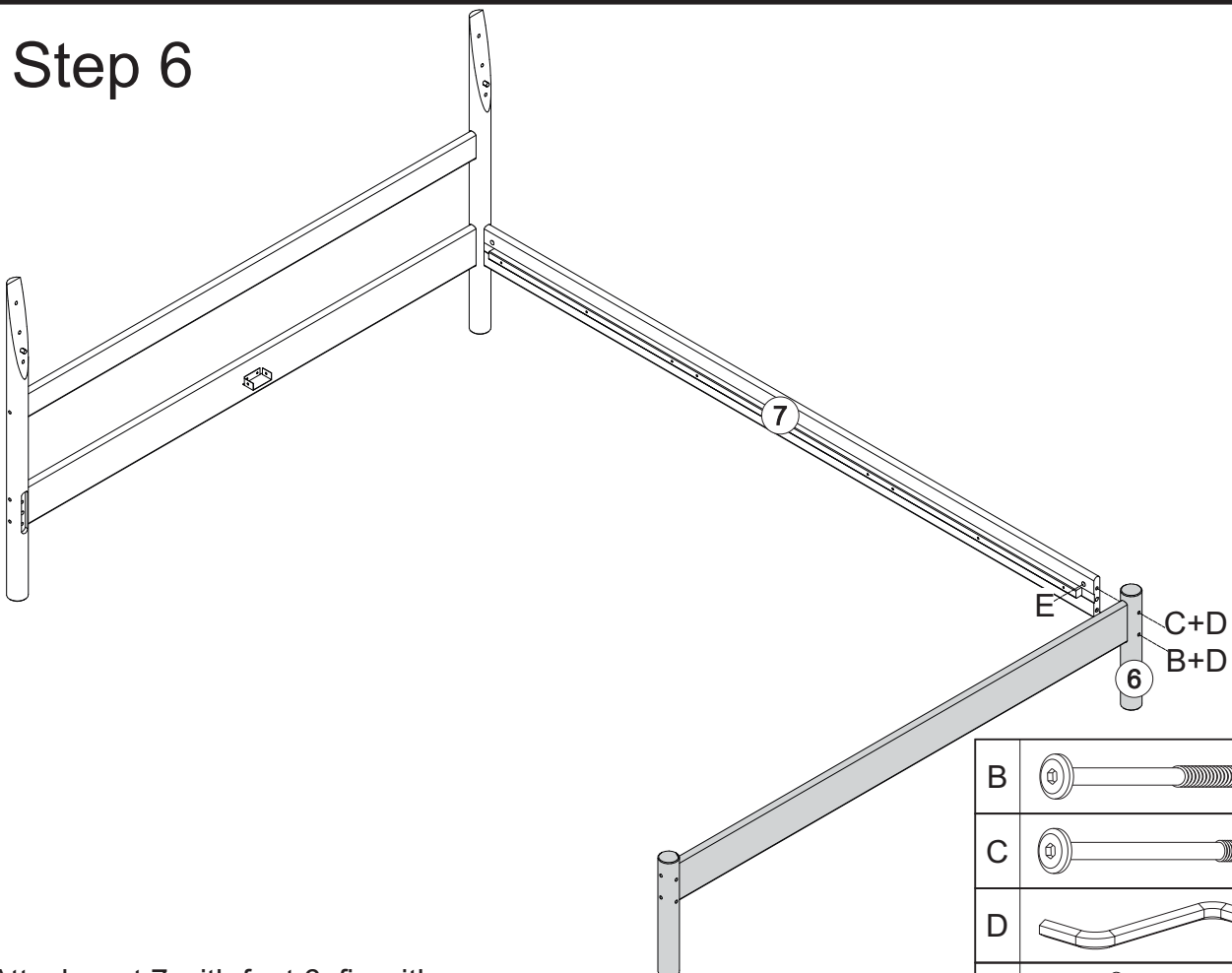
Step 5







B	 $\phi 7,0 \times 80\text{mm}$	01
C	 $\phi 1/4 \times 90\text{mm}$	01
D		01
E		01

Attach part 7 with feet 4, fix with screw B, C and nut E with hex key D

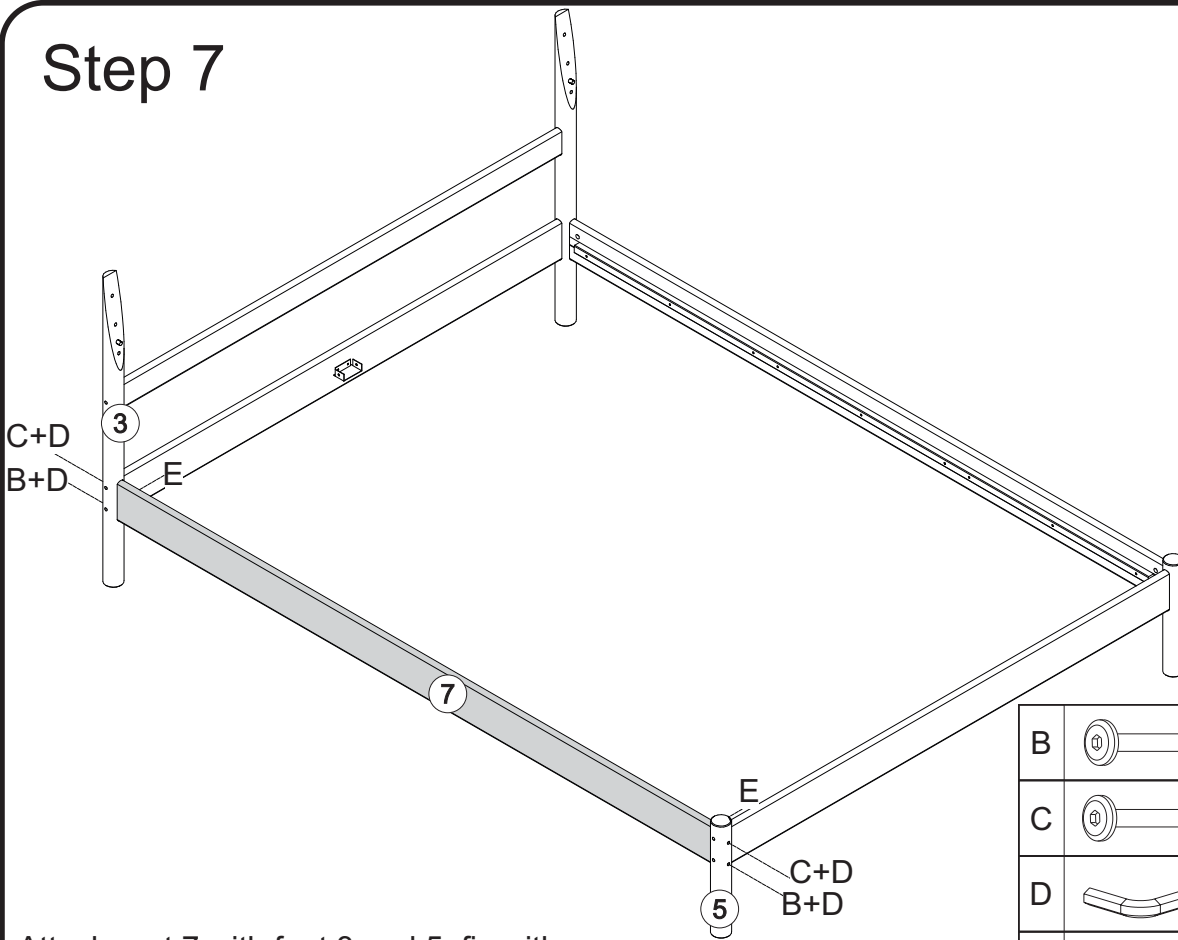
Step 6



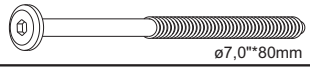
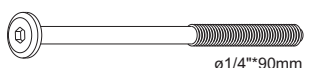
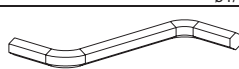
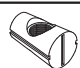
B	 $\phi 7,0 \times 80\text{mm}$	01
C	 $\phi 1/4 \times 90\text{mm}$	01
D		01
E		01

Attach part 7 with feet 6, fix with screw B, C and nut E with hex key D

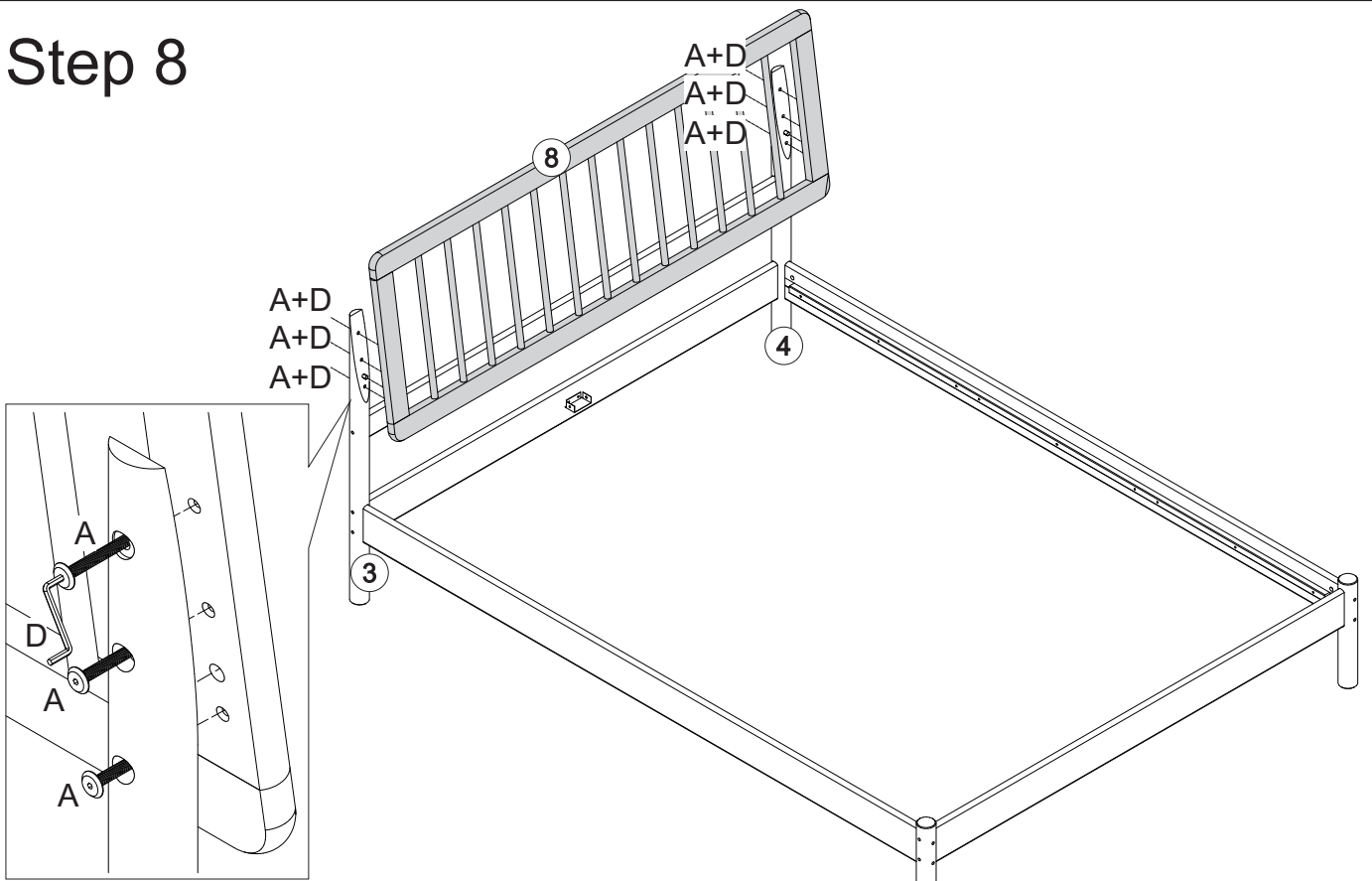
Step 7





Attach part 7 with feet 3 and 5, fix with screw B, C and nut E with hex key D

B		02
C		02
D		01
E		02

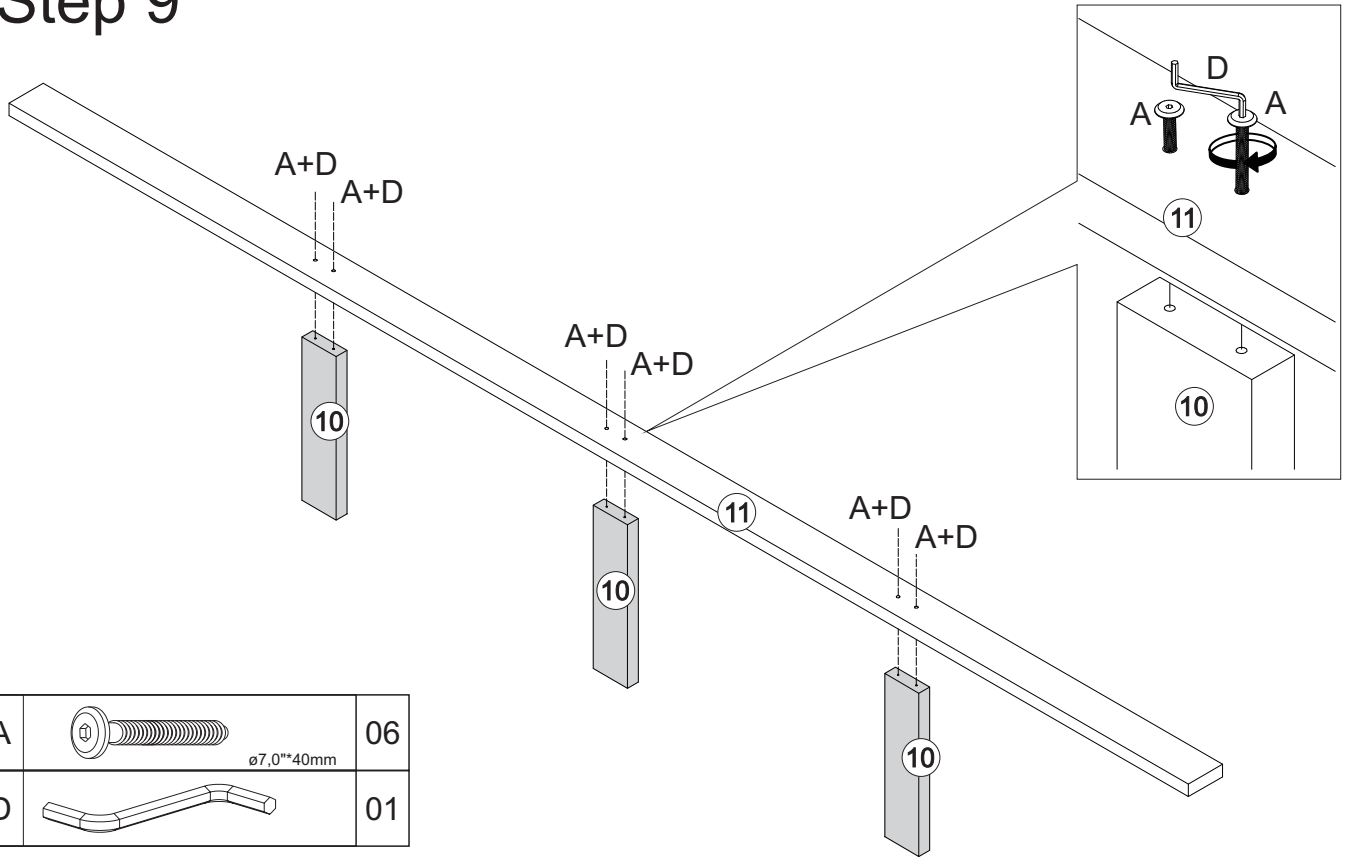
Step 8





Attach parts 8 on feet 3 and 4 with screw A and hex key D

A		06
D		01

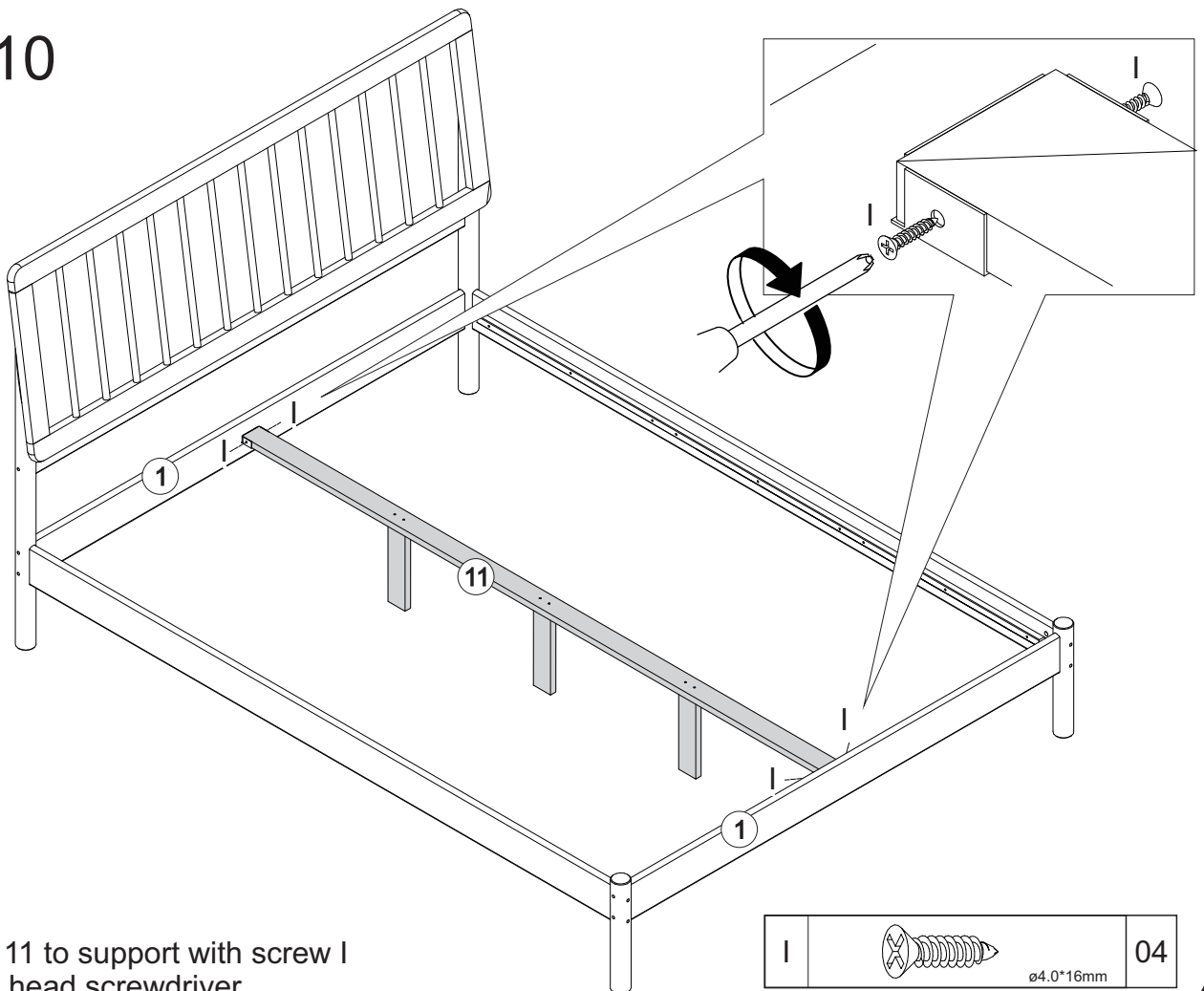
Step 9




A	 $\phi 7.0 \times 40 \text{mm}$	06
D		01

Attach parts 10 to part 11 with screw A and hex key D

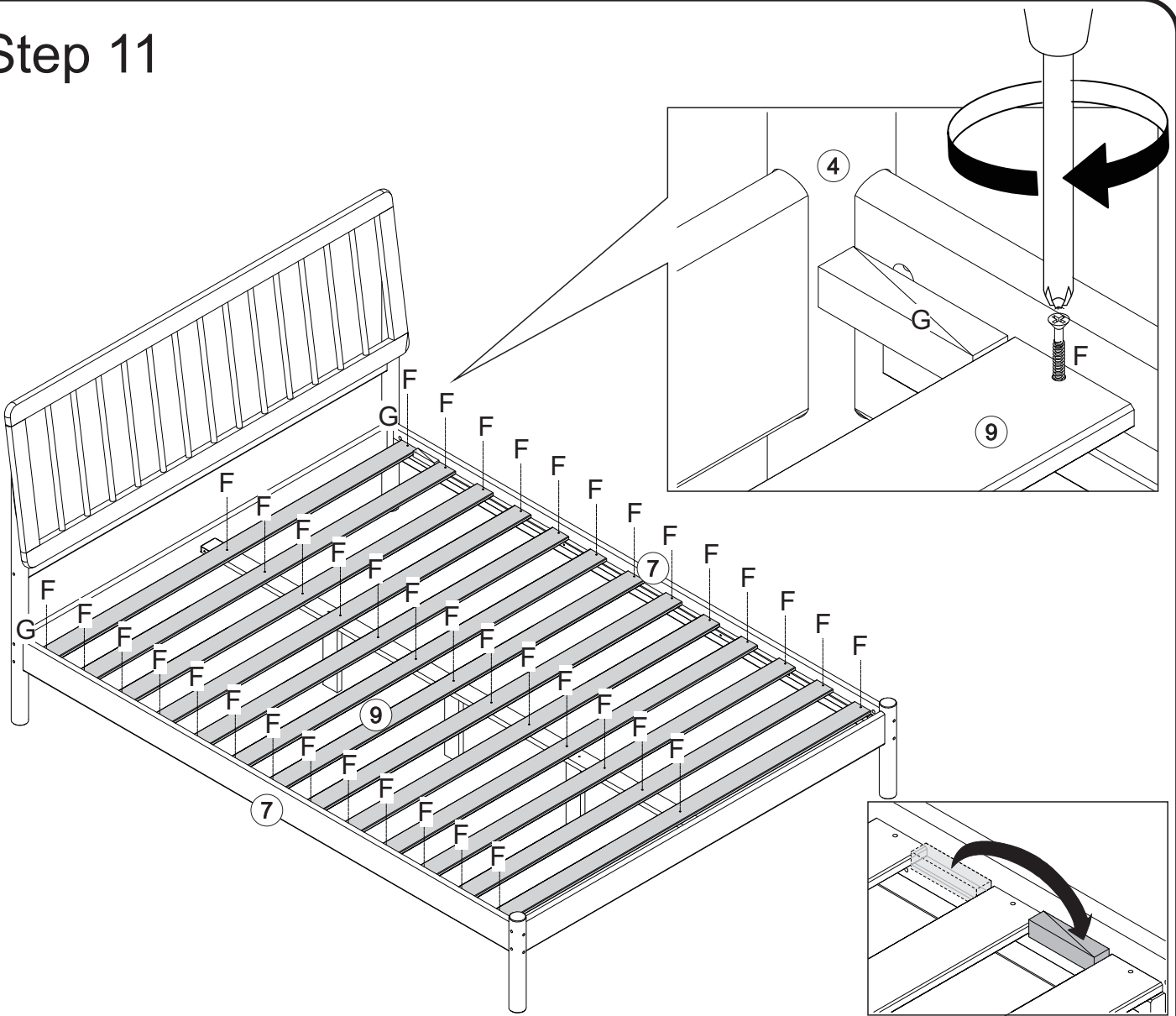
Step 10



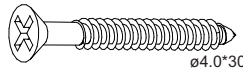
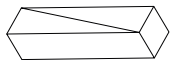
Attach part 11 to support with screw I and phillips head screwdriver.

I	 $\phi 4.0 \times 16 \text{mm}$	04
---	--	----

Step 11



Align part 7 with 9, attach part 9 to part 7 and 11 with screw F and phillips head screwdriver.
 Use hardware G to space the next parts 9 and attach to parts 7 and 11 with screw F and phillips head screwdriver.

F	 $\phi 4.0 \times 30 \text{mm}$	39
G		02

Step 12

