



SPECIFICATIONS

COS-RES304SS Electric Range



Size	30 Inch / 4.8 cu. ft. Capacity
Fuel	Electric
Installation	Slide-In
Controls	Full Metal Knobs
Oven	Convection
Finish	Stainless Steel
Electrical	240V / 60Hz, 49.3A
Racks	2 Racks, 6 Positions
Oven Functions	Bake, Broil, Convection Bake, Air Fry, Delay Start, Keep Warm
Burners	<ul style="list-style-type: none">• Front Right / 3000W• Front Left / 2100W• Rear Left / 1200W• Rear Right / 1200W• Oven Burner / 3000W• Broil Burner / 3500W

COS-RES304SS

Transform the way you cook with Cosmo's COS-RES304SS Electric Range. Cook a variety of different foods using the electric 4 burner cooktop and fan convection oven with 6 functions.

Features

- Designed for slide-in installation
- 4 surface burners
- 4.8 cu. ft. convection oven
- 6 oven functions & oven light
- Oven cavity ventilation system for safe heat dissipation
- Black ceramic glass cooktop
- Solid metal knobs



Surface Burners



Glass Cooktop



Digital Timer & Clock

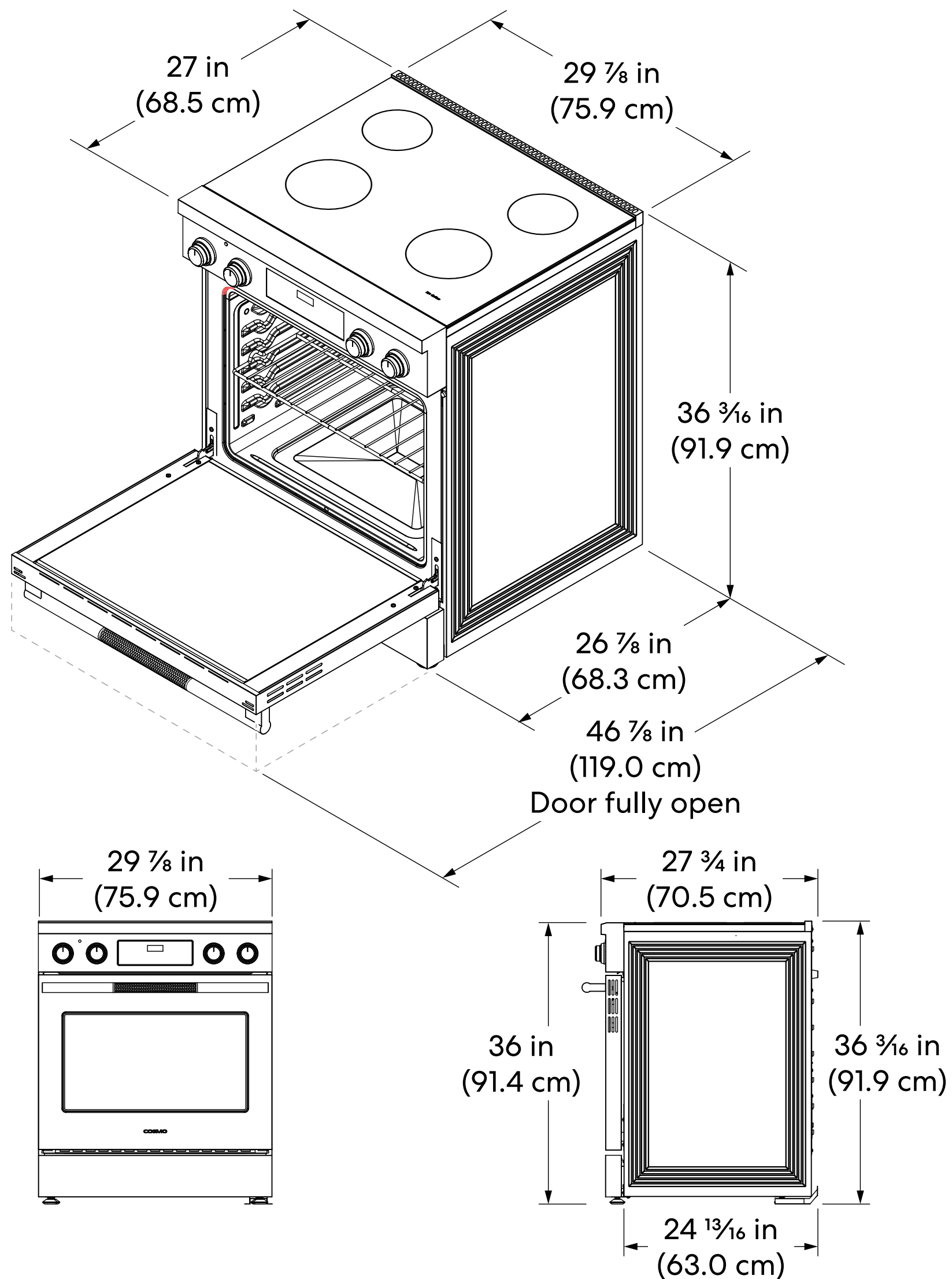


See Page 2 for dimensions



DIMENSIONS

COS-RES304SS Gas Range



Dimensions (WxDxH): 29.9" x 27.8" x 36.2"