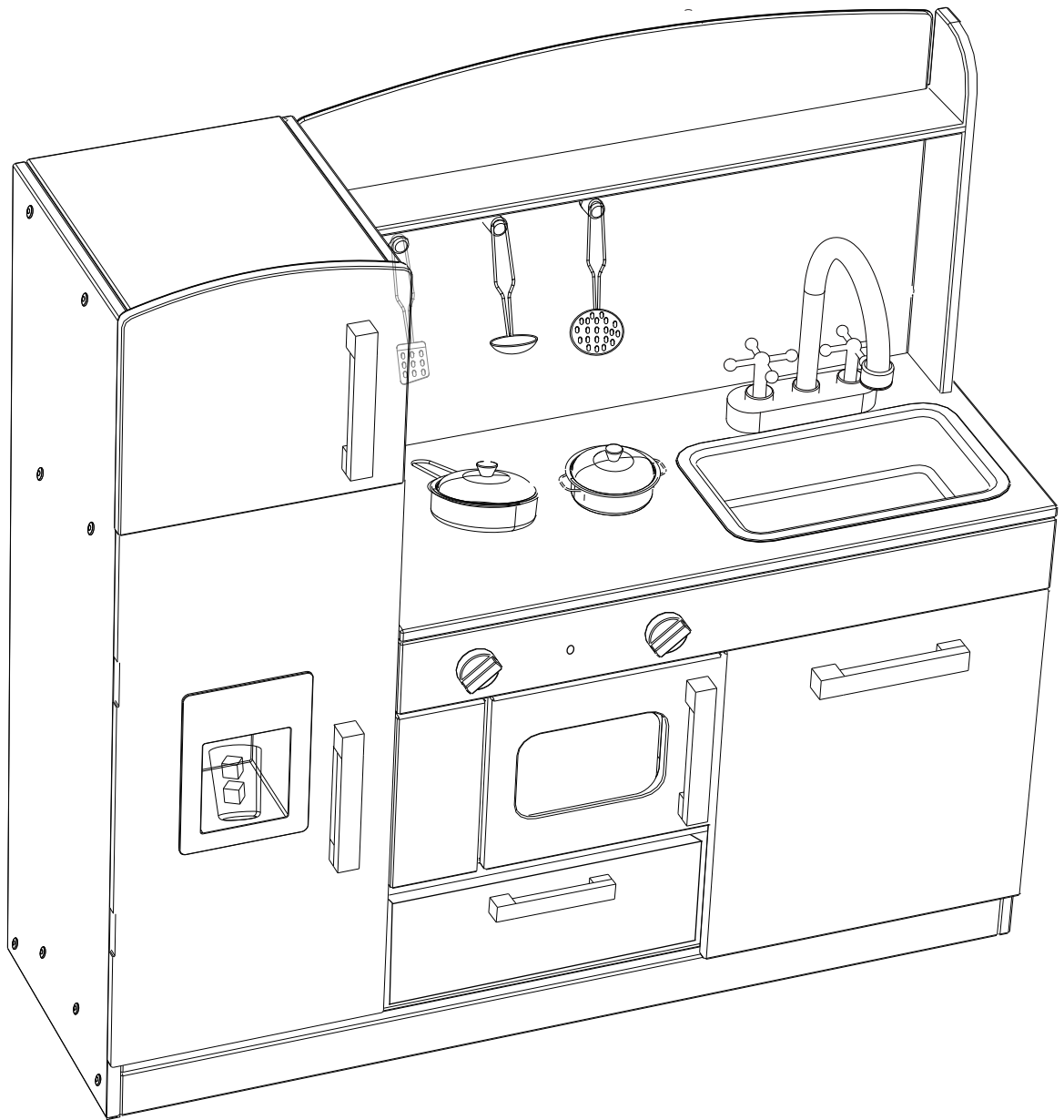

Instruction



NATURE INTERNATIONAL TRADING INC.
597 BEAVER CREEK CT, BRIGHTON, CO
80601

Email Add: tfservices@163.com

USER'S MANUAL

**Kids Kitchen toy
ETD061**

KEEP INSTRUCTIONS FOR FUTURE USE

Read all instructions before assembling and using the product.
Never use this product if any parts are missing, damaged, or broken. Contact seller for replacement parts and instructional literature if needed. Never substitute parts.

Before You Start

Please read all instructions carefully and keep it for future reference.

General Security Warning

Caution: The Product is not suitable for the children under 3 years

Danger: Keep all small parts and packaging materials for this product away from babies and children, otherwise they may pose a choking hazard.

Danger: Lack of attachment may cause a risk of tipping.



WARNING:
CHOKING HAZARD-Small parts. Not for children under 3 years.





WARNING:

Adult assembly required!

In unassembled state contain potentially hazardous small parts and sharp points,so please keep out of baby's reach.

Remove all Packaging, separate and count all parts and hardware.

Read through each step carefully and follow the proper order.

We recommend that, where possible, all items are assembled near to the area in which they will be placed in use, to avoid moving the product unnecessarily once assembled.

Ensure a secure surface during construction, and place the product always on a flat. steady and stable surface

This product contains a Button or Coin Cell Battery. A swallowed Button or Coin Cell Battery can cause internal chemical burns in as little as two hours and lead to death.

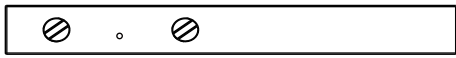
Dispose of used batteries immediately. Keep new and used batteries away from children. If you think batteries might have been swallowed or placed inside any part of the body, seek immediate medical attention.

IMPORTANT INFORMATION:

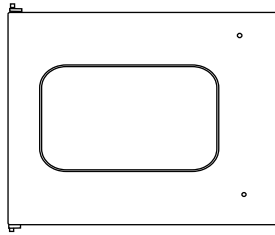
1. Before installing, please refer to the manual to check each part.

2. If you experience any issue during the installation, please reach out to our service team

for assistance: tfsservices@163.com



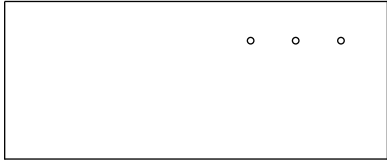
1 X1 pc



2 X 1 pc



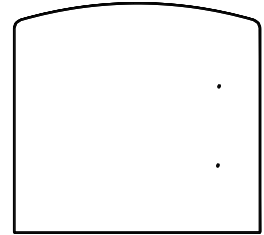
3 X 1 pc



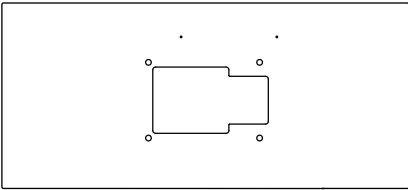
4 X 1 pc



5 X 1 pc



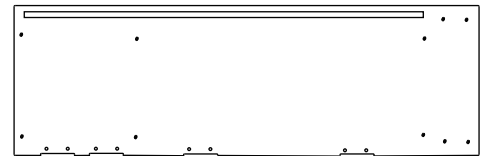
6 X 1 pc



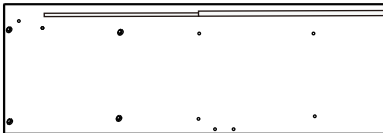
7 X 1 pc



8 X 1 pc



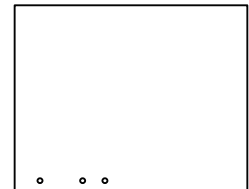
9 X 1 pc



10 X 1 pc



11 X 1 pc

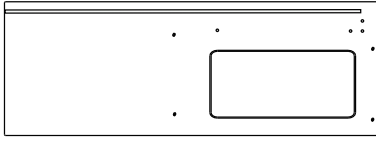


12 X 1 pc

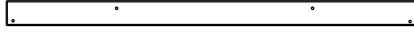
IMPORTANT INFORMATION:

1. Before installing, please refer to the manual to check each part.

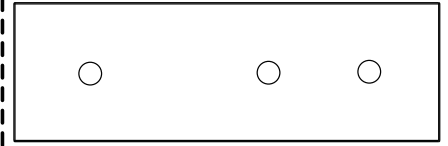
2. If you experience any issue during the installation, please reach out to our service team for assistance: tfservices@163.com



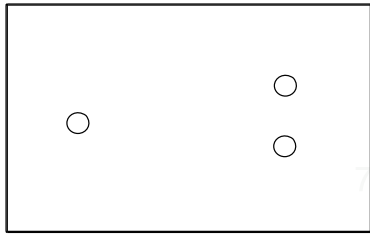
13 X1pc



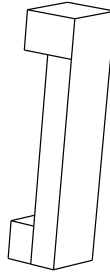
14 X 2pcs



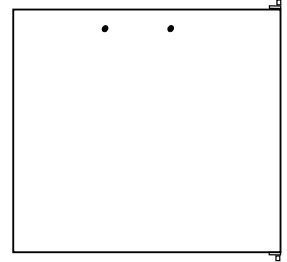
15 X 1pc



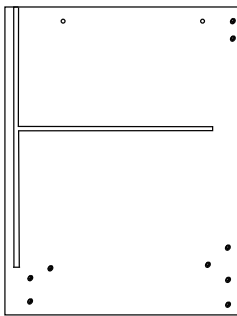
16 X 1pc



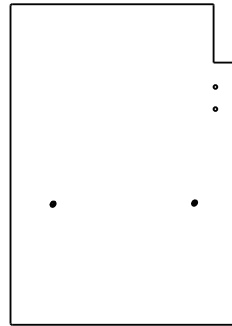
17 X 5pcs



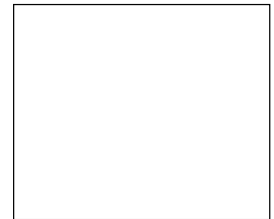
18 X 1pc



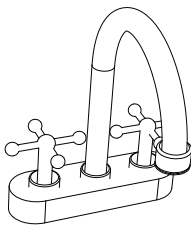
19 X 1pc



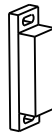
20 X 1pc



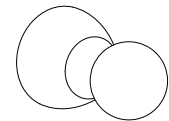
21 X 1pc



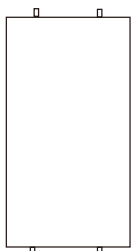
22 X 1pc



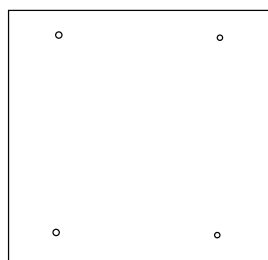
23 X 4pcs



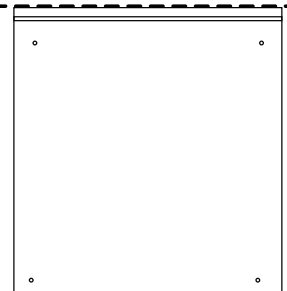
24 X3pcs



25 X1pc



26 X 1pc

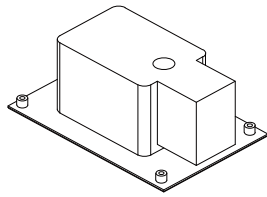


27 X 1pc

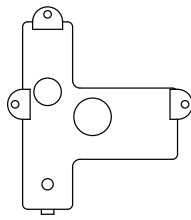
IMPORTANT INFORMATION:

1. Before installing, please refer to the manual to check each part.

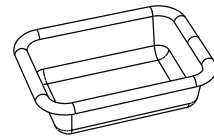
2. If you experience any issue during the installation, please reach out to our service team for assistance: tfsservices@163.com



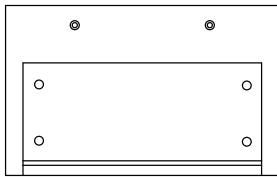
28 X 1pc



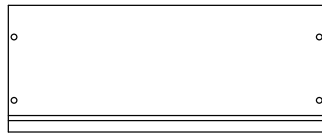
29 X 1pc



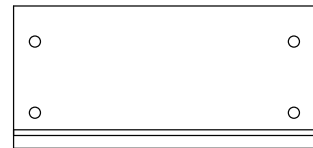
30 X 1pc



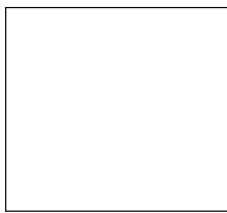
31 X 1pc



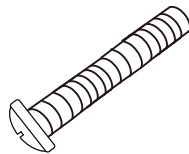
32 X 2pcs



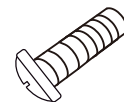
33 X 1pc



34 X 1pc



a X 46pcs



b X 10pcs



c X 8pcs



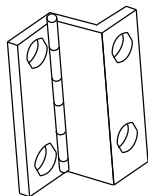
d X 16pcs



e X 4pcs



f X 3pcs



g X 4pcs



h X 3pcs



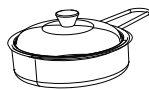
i X 2pcs



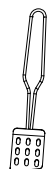
j X 8pcs



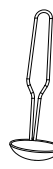
1pc



1pc



1pc



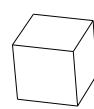
1pc



1pc



1pc



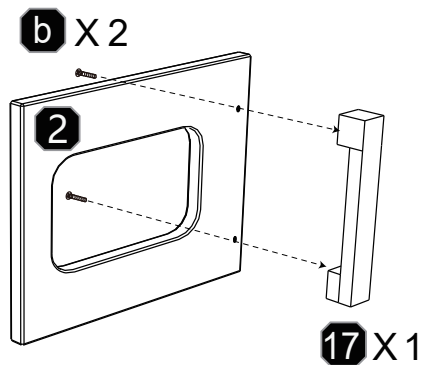
2pcs

IMPORTANT INFORMATION:

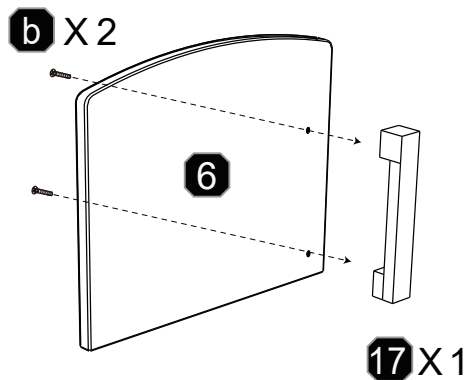
1. Before installing, please refer to the manual to check each part.

2. If you experience any issue during the installation, please reach out to our service team for assistance: tfsservices@163.com

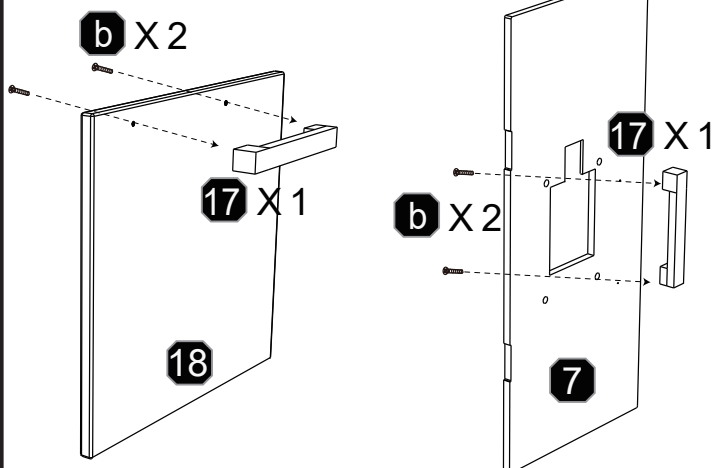
A



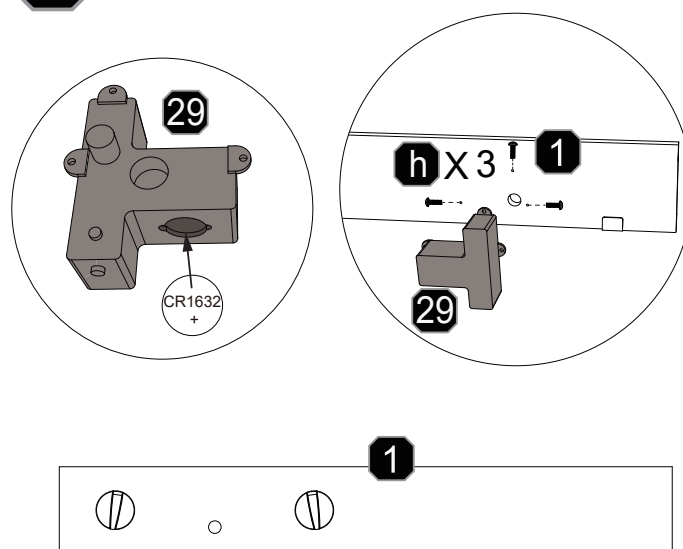
B



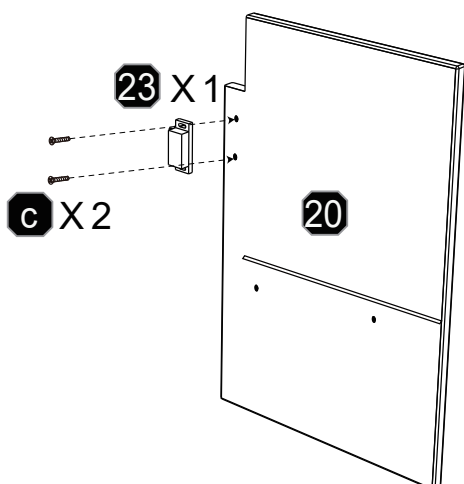
C



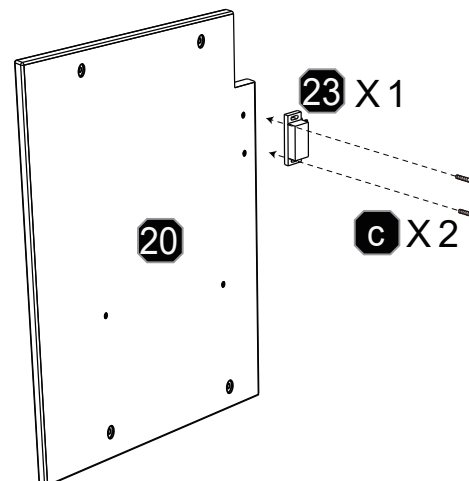
D



E



F

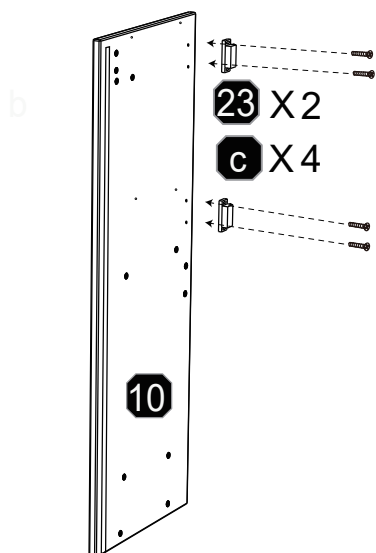


IMPORTANT INFORMATION:

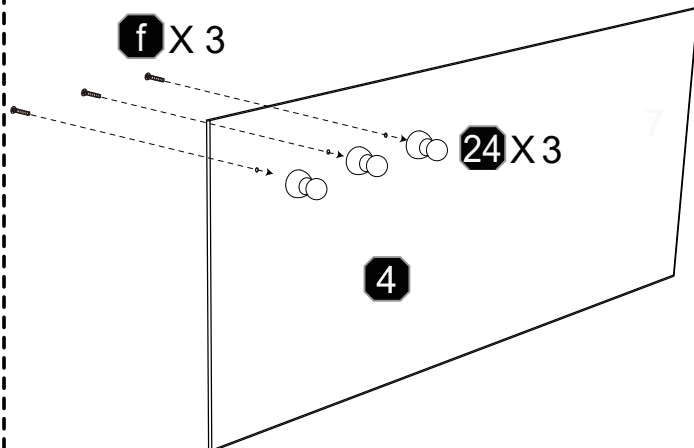
1. Before installing, please refer to the manual to check each part.

2. If you experience any issue during the installation, please reach out to our service team for assistance: tfsservices@163.com

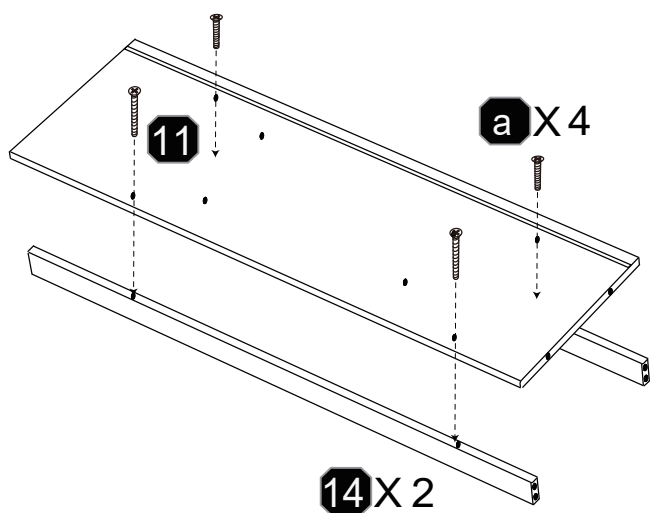
G



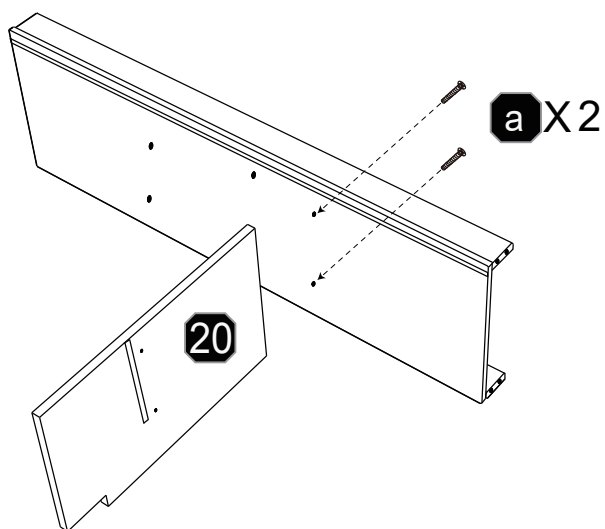
H



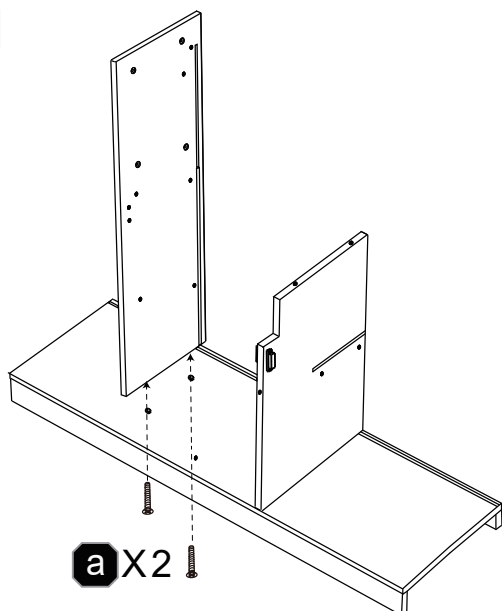
I



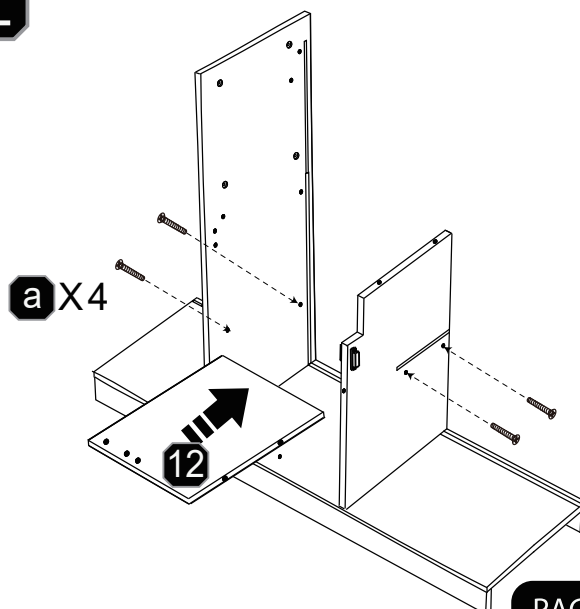
J



K



L

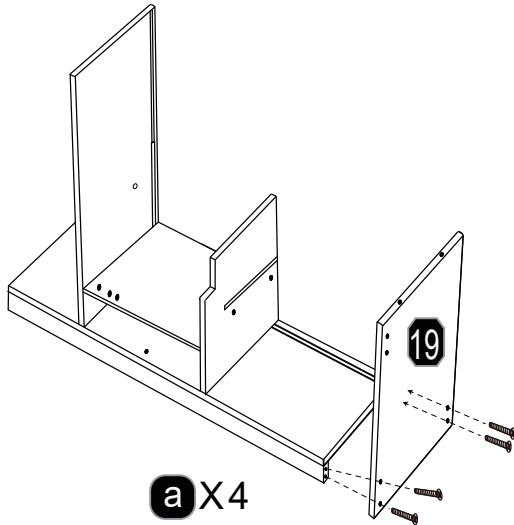


IMPORTANT INFORMATION:

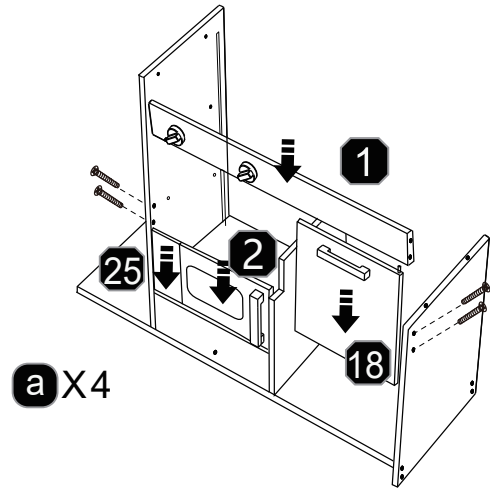
1. Before installing, please refer to the manual to check each part.

2. If you experience any issue during the installation, please reach out to our service team for assistance: tfservices@163.com

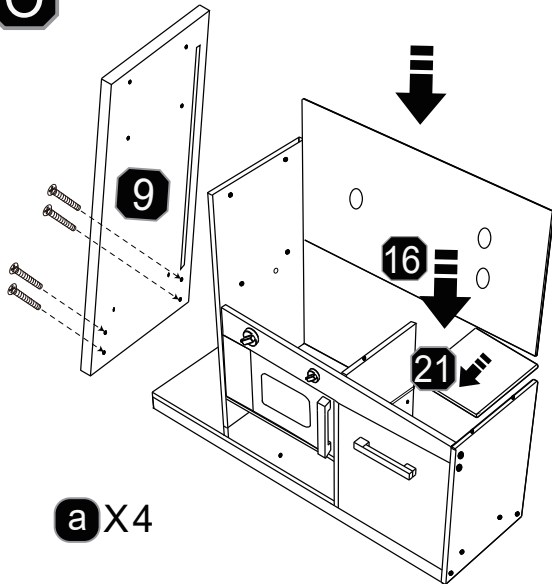
M



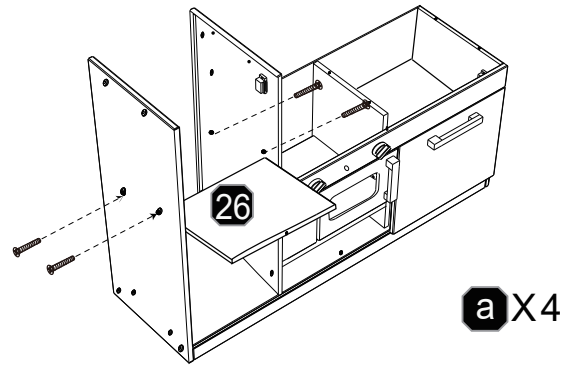
N



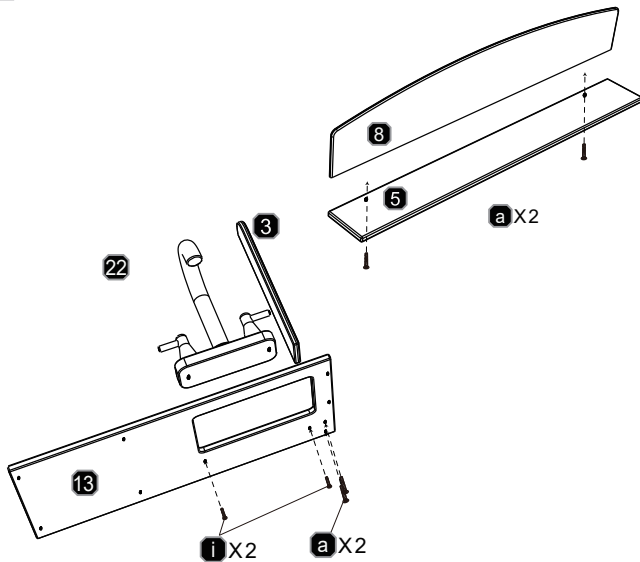
O



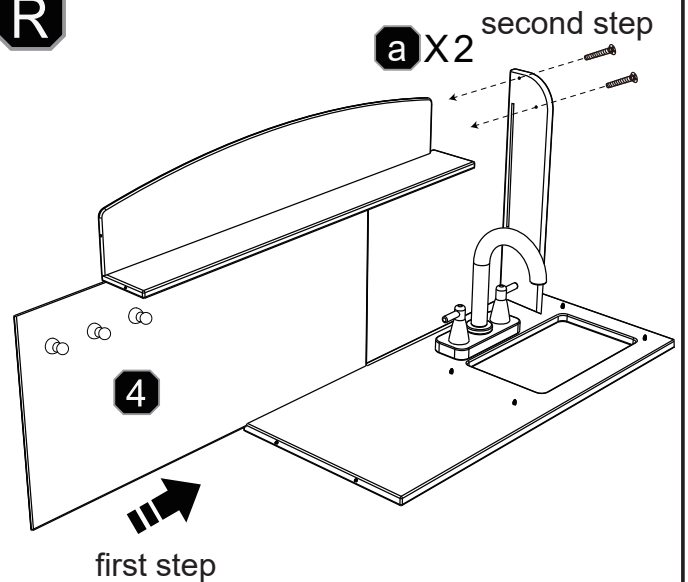
P



Q



R

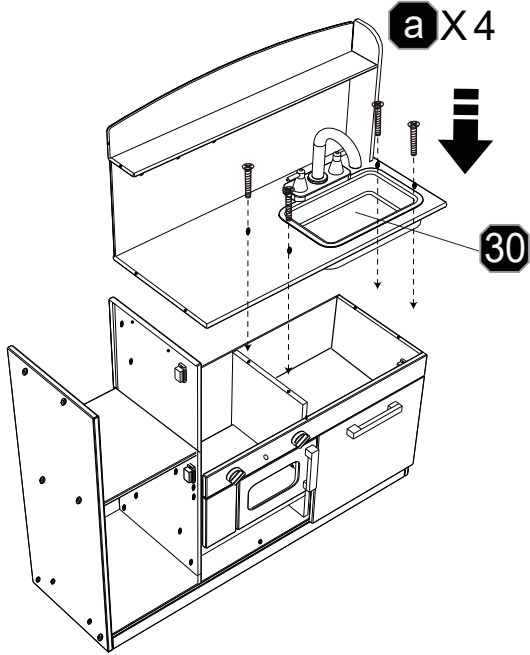


IMPORTANT INFORMATION:

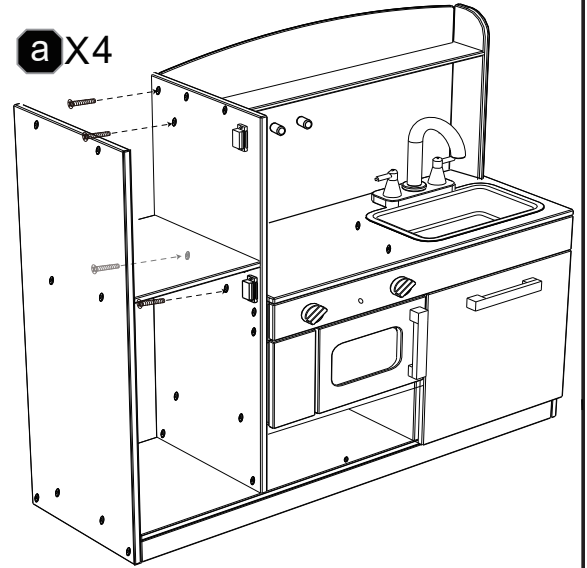
1. Before installing, please refer to the manual to check each part.

2. If you experience any issue during the installation, please reach out to our service team for assistance: tfsservices@163.com

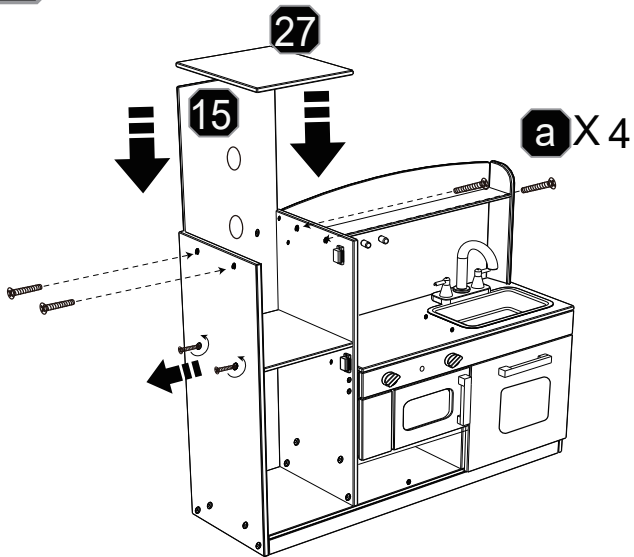
S



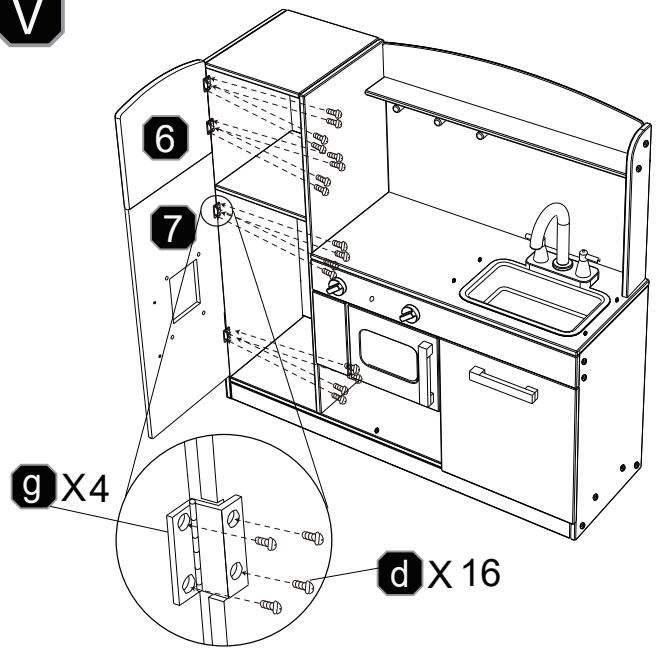
T



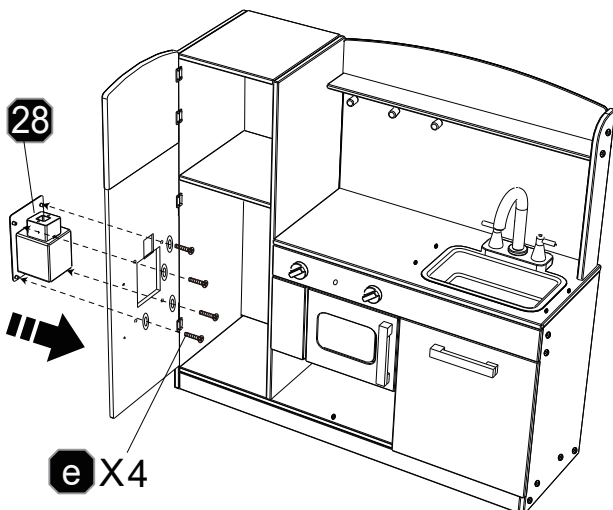
U



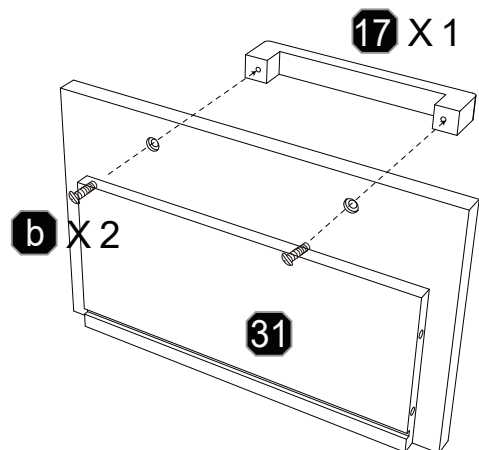
V



W



X

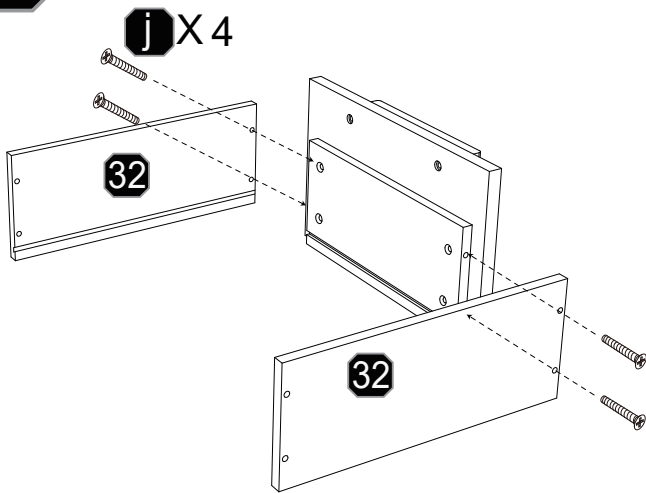


IMPORTANT INFORMATION:

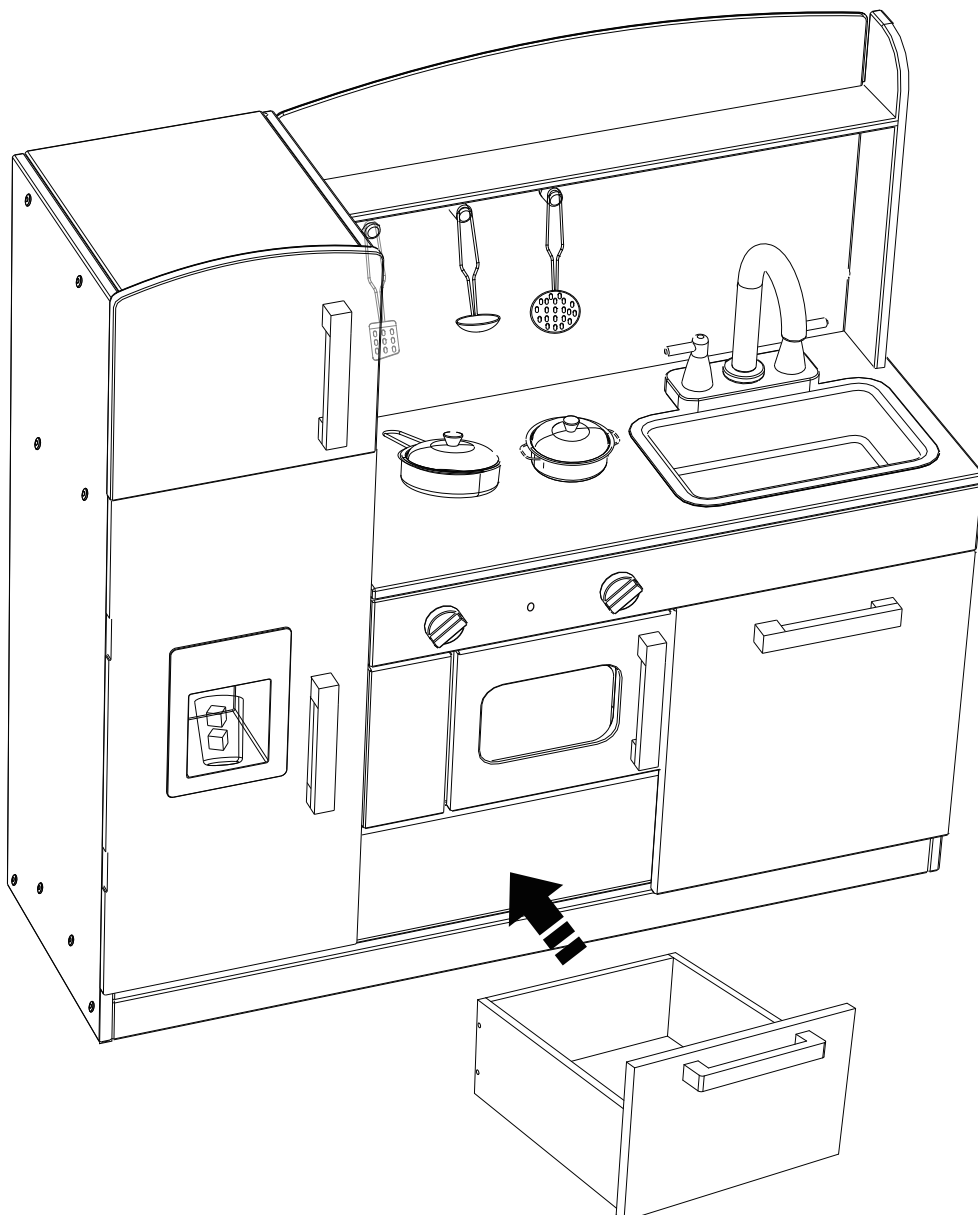
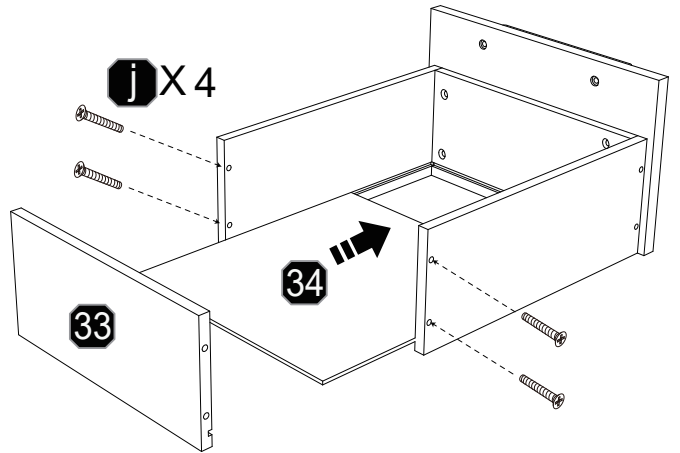
1. Before installing, please refer to the manual to check each part.

2. If you experience any issue during the installation, please reach out to our service team for assistance: tfservices@163.com

Y

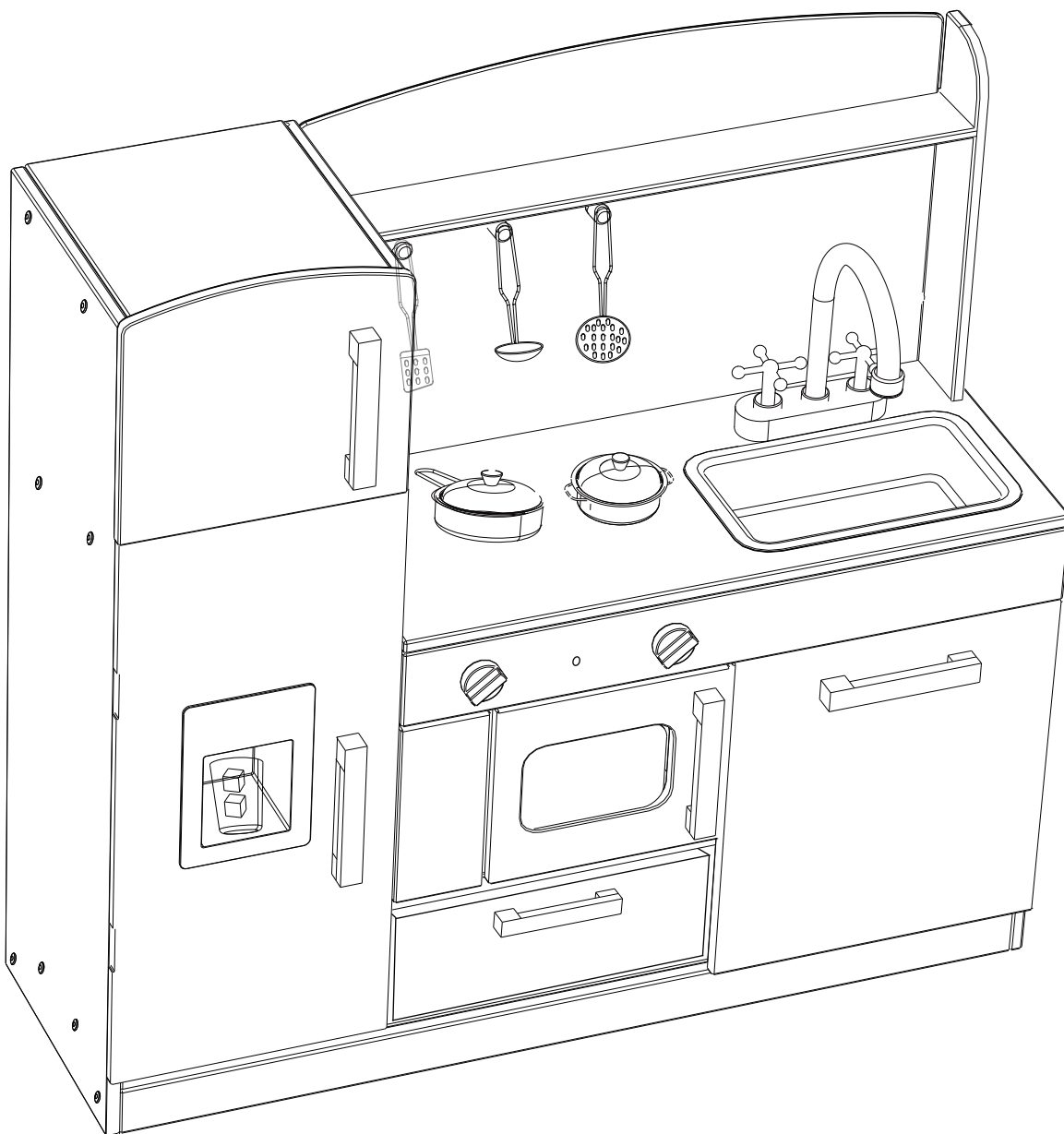


Z



IMPORTANT INFORMATION:

1. Before installing, please refer to the manual to check each part.
2. If you experience any issue during the installation, please reach out to our service team for assistance: tfservices@163.com



AFTER-SALE SUPPORT

If you have any questions, please contact us via email (tfservices@163.com). We will be happy to serve you and guarantee a 100% satisfactory treatment plan. If you want to know more about Kinder King, please visit our official website: <https://kinderking.store>



tfservices@163.com