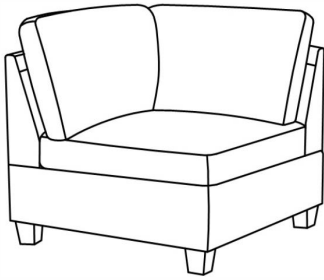
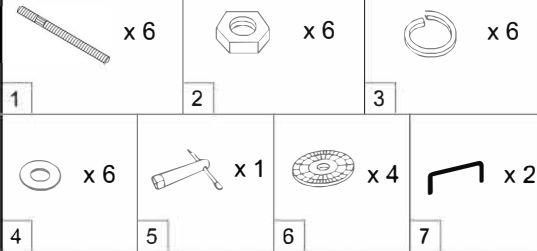
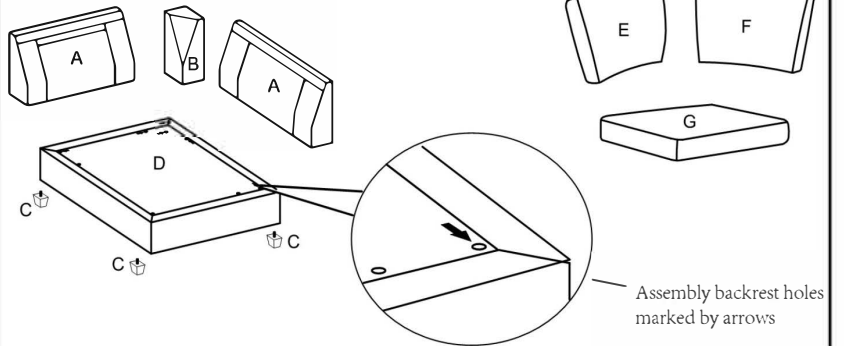


ASSEMBLY INSTRUCTIONS

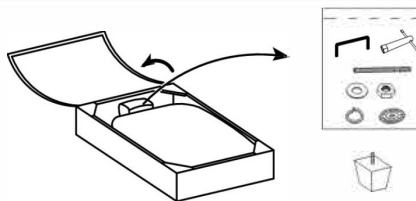
CORNER WEDGE CHAIR



PARTS LIST



BEFORE ASSEMBLY

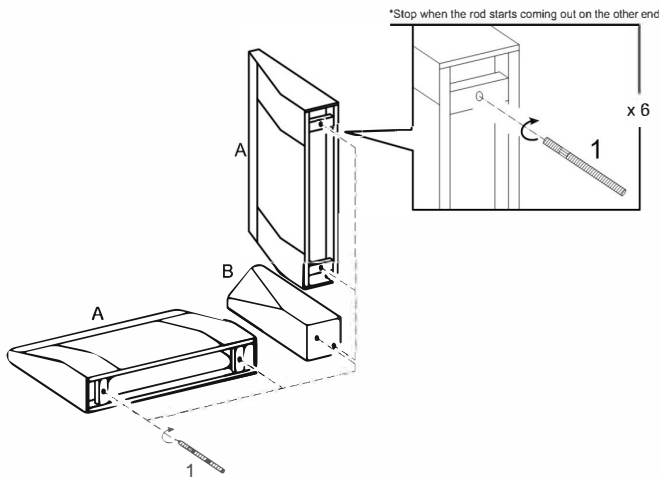


Open up the Velcro of Non-Woven Fabric cover on the bottom of the seat frame to remove back frames, back cushions.

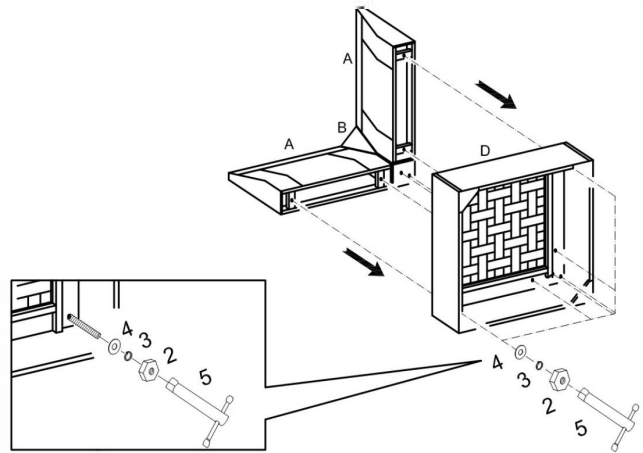
*****PLEASE REMOVE ALL PARTS FROM SEAT FRAMES AND BACKS BEFORE ASSEMBLY*****

How to assemble:

STEP 1- INSERT THREADED RODS INTO BACK



STEP 2- MOUNT BACK INTO THE SEAT FRAME



STEP 3- PUT BACK THE FABRIC COVER AND INSERT LEGS

