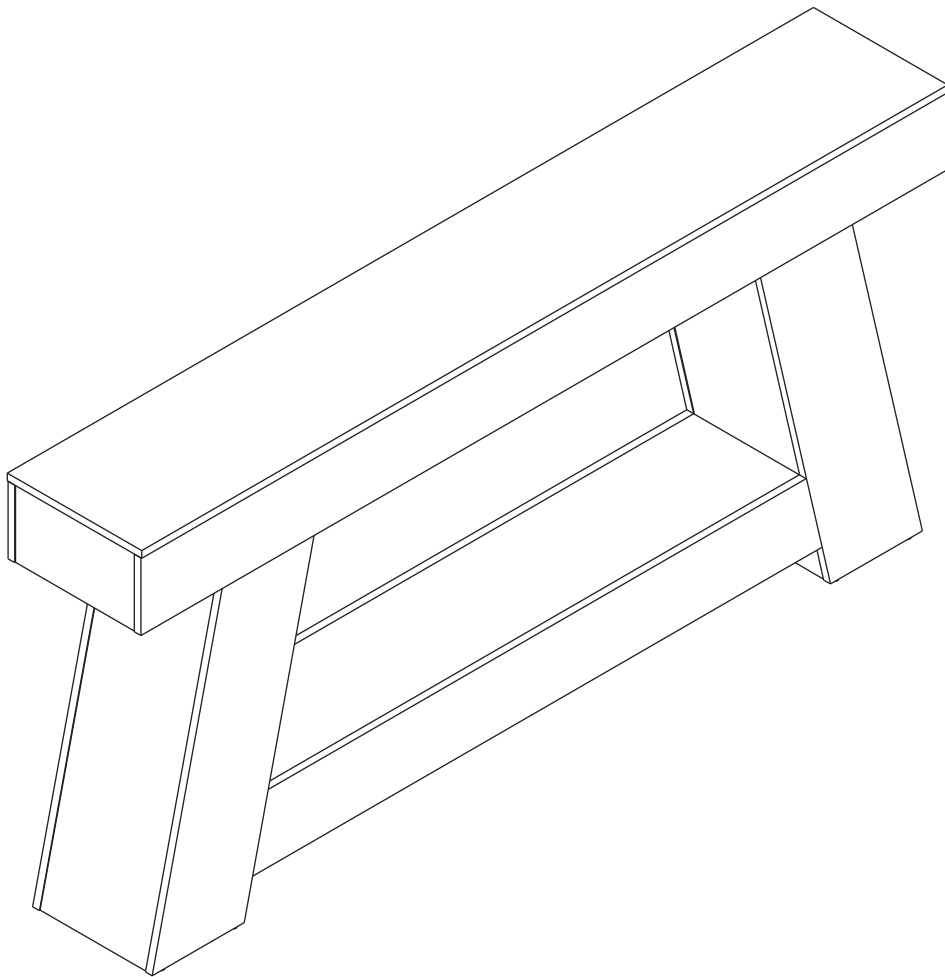


Assembly Instructions

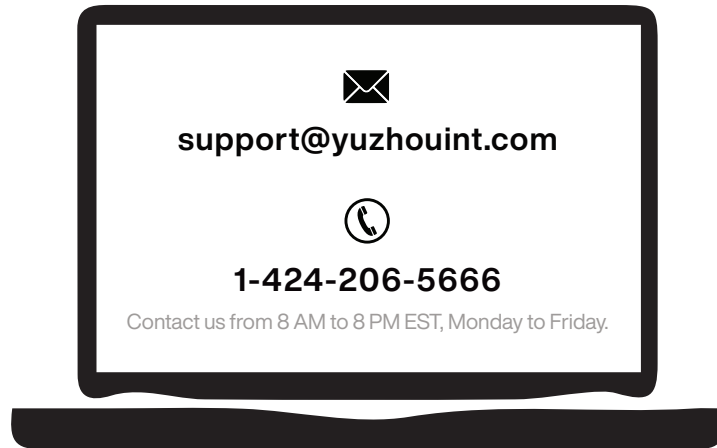


Console Table

Model No.
HOGA-J0399

Contact Us

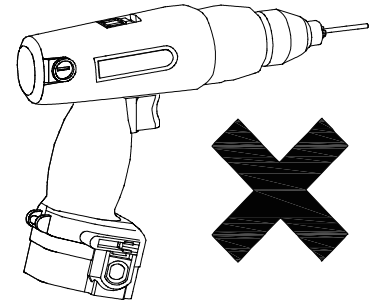
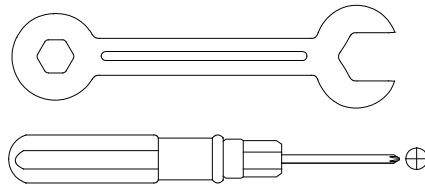
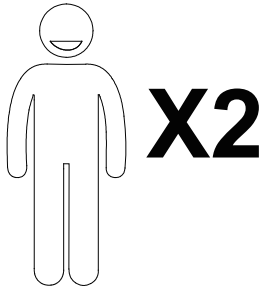
We're here to help you.



Your satisfaction is our top priority. If you encounter any issues with this product, such as missing or damaged parts, we're here to help. Please retain the original packaging and take photos of the packaging and the product, then contact us as soon as possible.

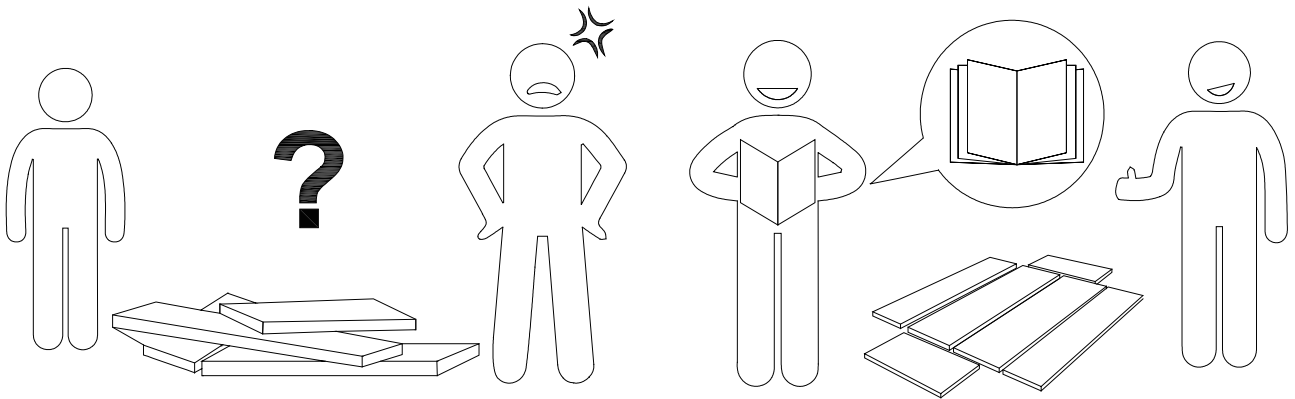
Warm Tips

1. Carefully read these instructions and keep them for future reference.
2. Check the parts list and confirm everything's there before starting assembly.
3. When assembling, put all parts on a soft, smooth surface like a carpet to avoid scratches.
4. Don't fully tighten screws until all parts are confirmed in place to avoid misalignment.



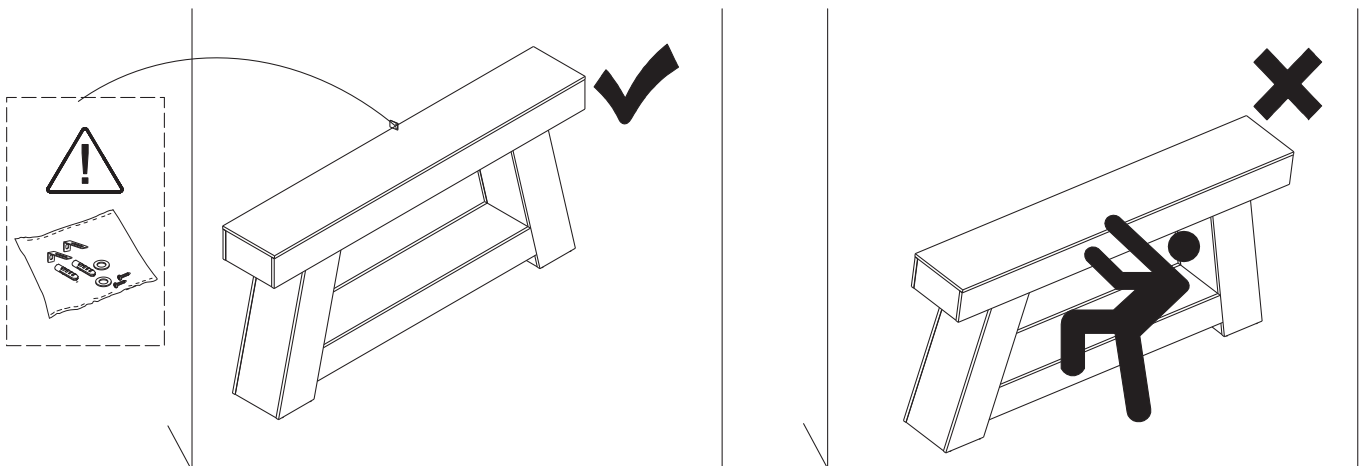
We recommend using hand tools for assembly.

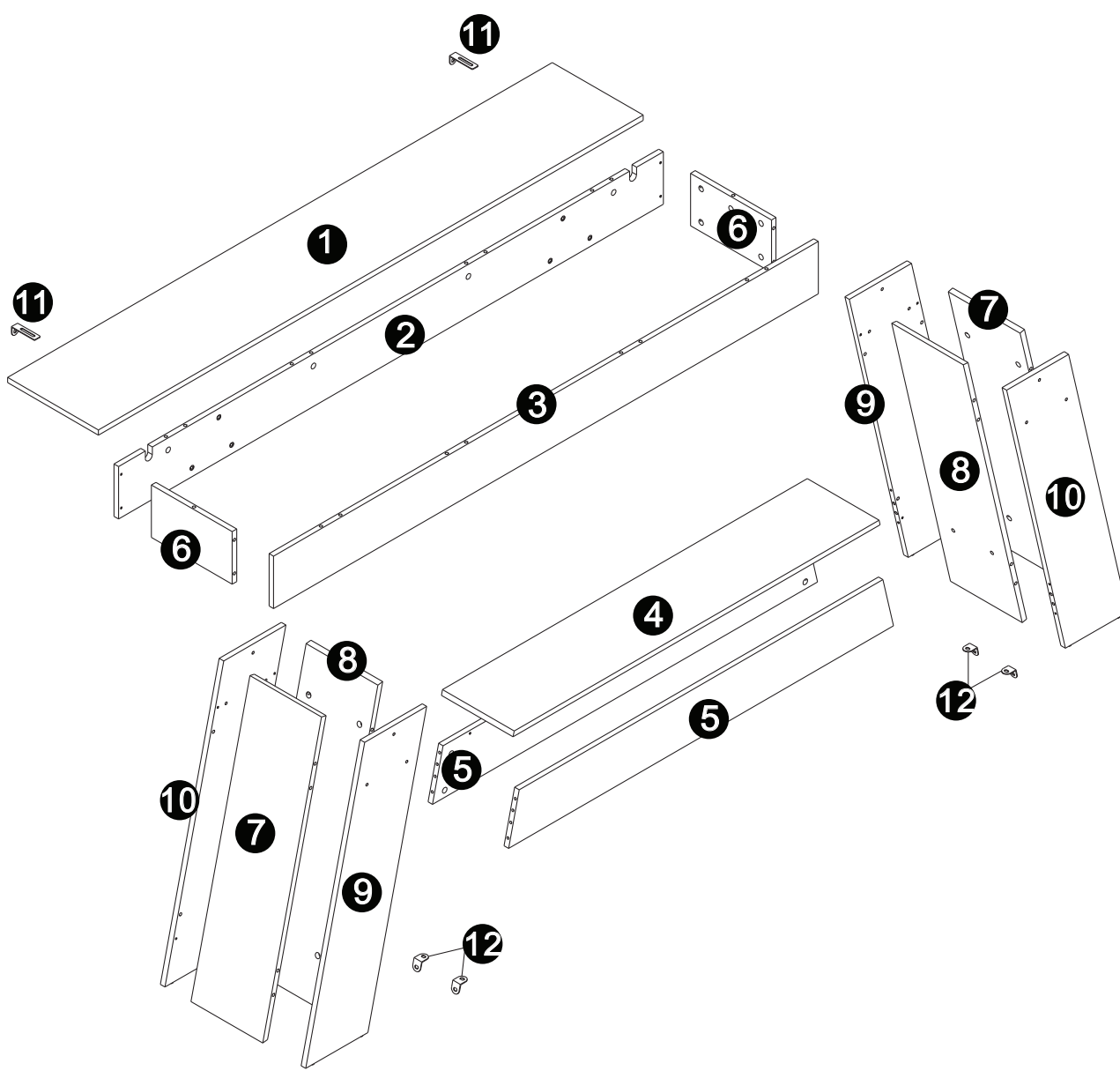
If an electric screwdriver is used, reduce power and torque to avoid damage to the product.



Install the Anti-Tip Straps

Using the anti-tip straps can reduce the risk of tipping over, but can not eliminate it.

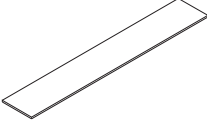
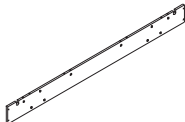
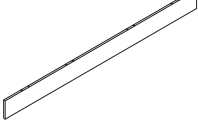
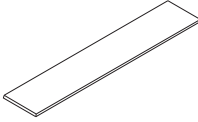
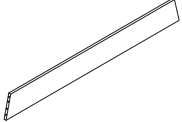
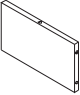




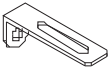





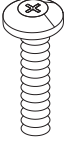
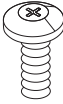



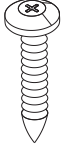



⚠ Caution

Make sure all parts are included. Most board parts are labeled or stamped on the raw edge. Contact us for a free replacement if you encounter any damaged or missing parts.

Parts List

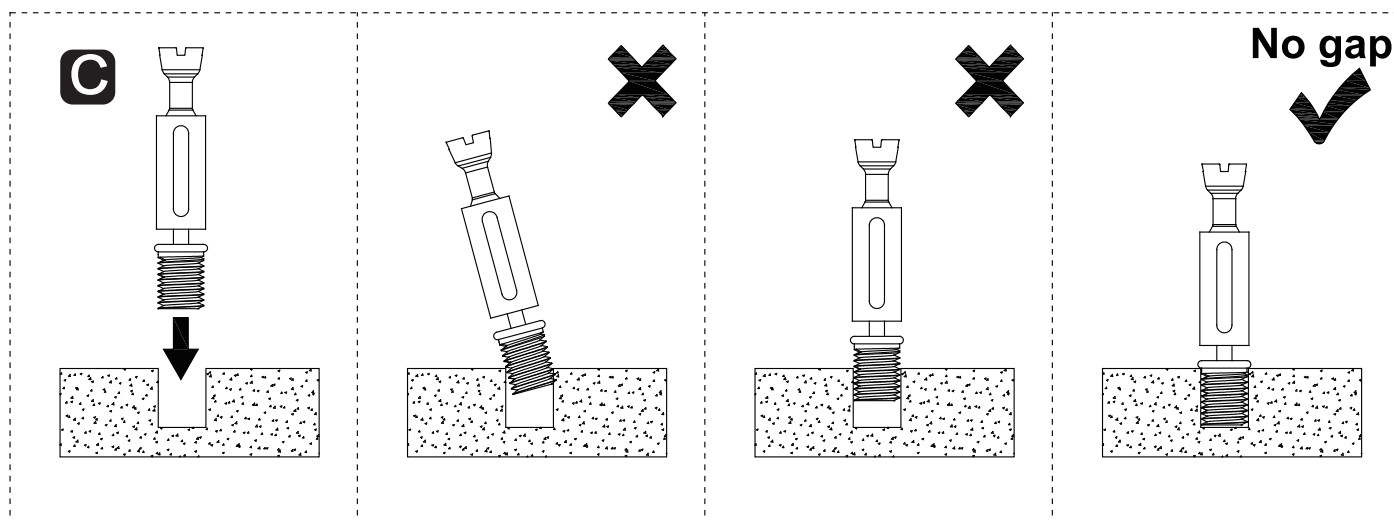
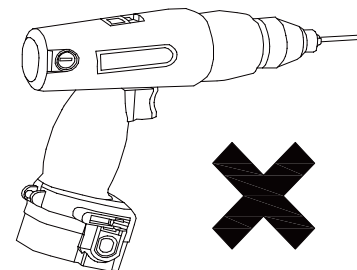
<p>1</p>  <p>1 pc</p>	<p>2</p>  <p>1 pc</p>	<p>3</p>  <p>1 pc</p>	<p>4</p>  <p>1 pc</p>	<p>5</p>  <p>2 pcs</p>
<p>6</p>  <p>2 pcs</p>	<p>7</p>  <p>2 pcs</p>	<p>8</p>  <p>2 pcs</p>	<p>9</p>  <p>2 pcs</p>	<p>10</p>  <p>2 pcs</p>
<p>11</p>  <p>2 pcs</p>	<p>12</p>  <p>4 pcs</p>			

Hardware List

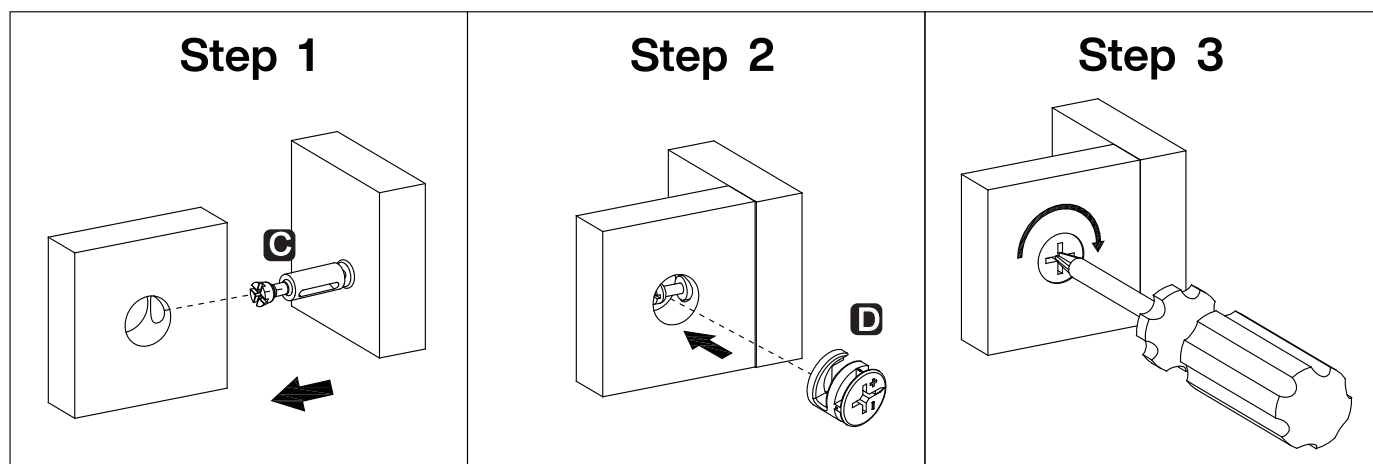
A	B	C	D	E	F
 <p>M6x25mm</p>	 <p>M6x12mm</p>	 <p>M6x44.5mm</p>	 <p>Ø15mm</p>	 <p>Ø8X30mm</p>	 <p>M4x24.5mm</p>
12 pcs	10 pcs	48 pcs	48 pcs	32 pcs	2 pcs
G	H	I			
					
2 pcs	2 pcs	1 pc			

Installation of Cams and Pins

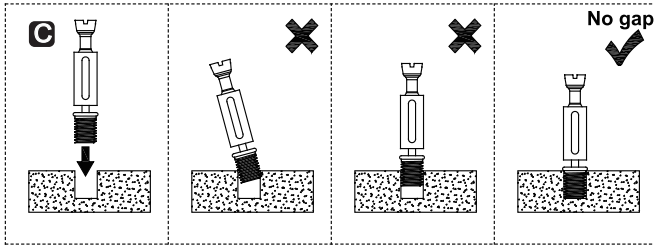
Read each step carefully before starting. Each step of instruction should be performed in the correct order. If these steps are not followed in sequence, assembly difficulties may occur.




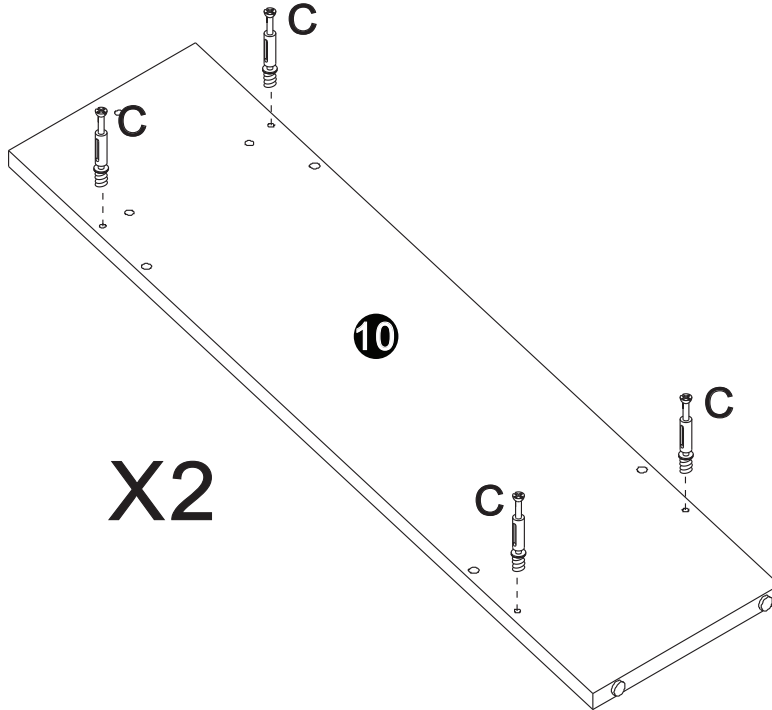
Screw the pin into the hole. Set the cams correctly by aligning the head of the cams with the lock pins. Lock the cam by turning the cam head with a screwdriver until it is tightened. Please do not use an electric screwdriver to assemble the unit.



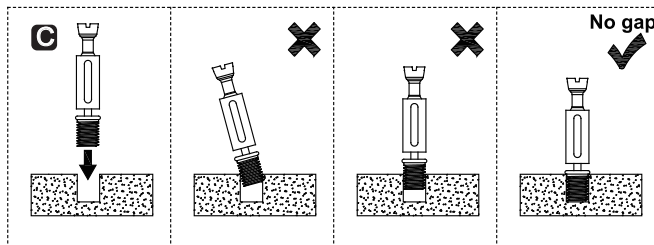
1




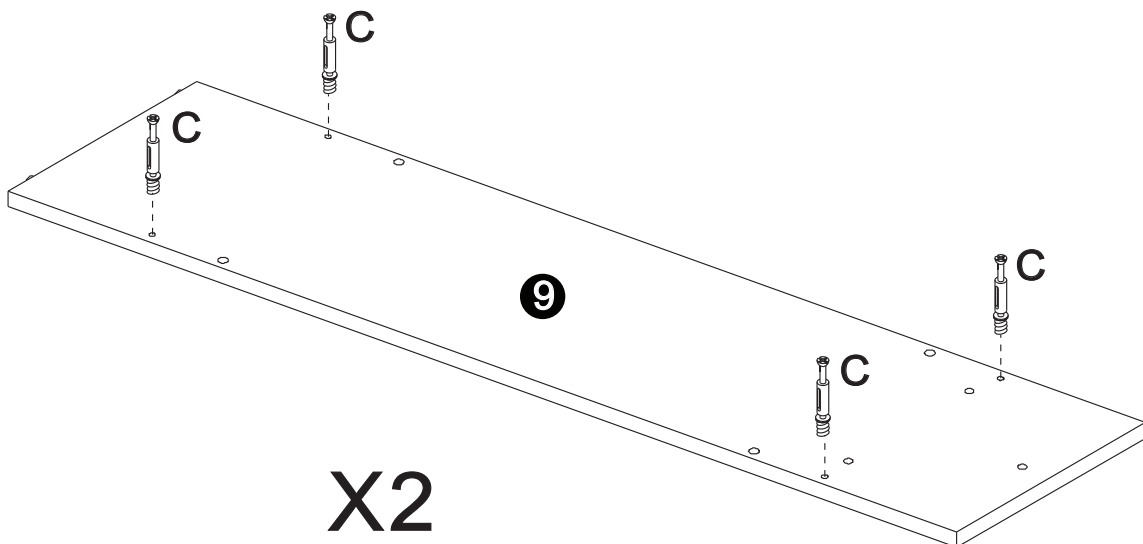
C

M6x44.5mm
8pcs




2

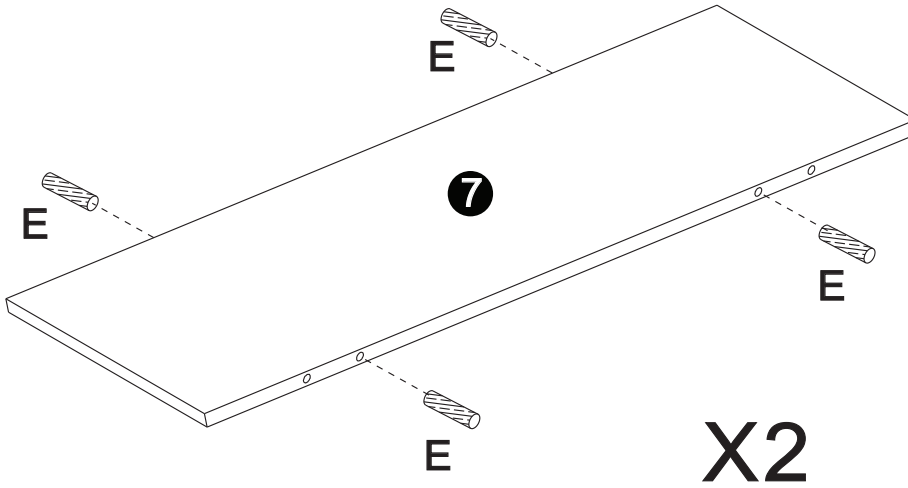


C

M6x44.5mm
8pcs




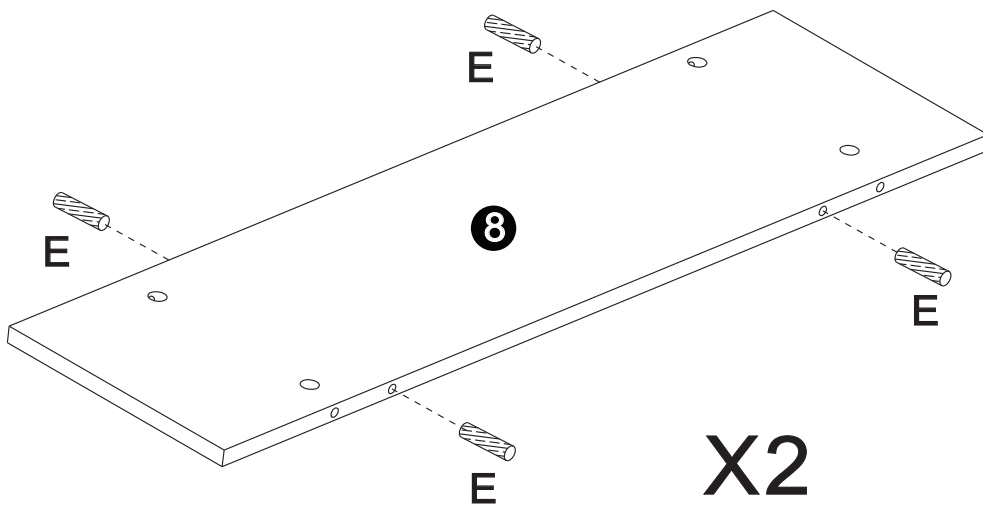
3

E

Ø8X30mm
8pcs

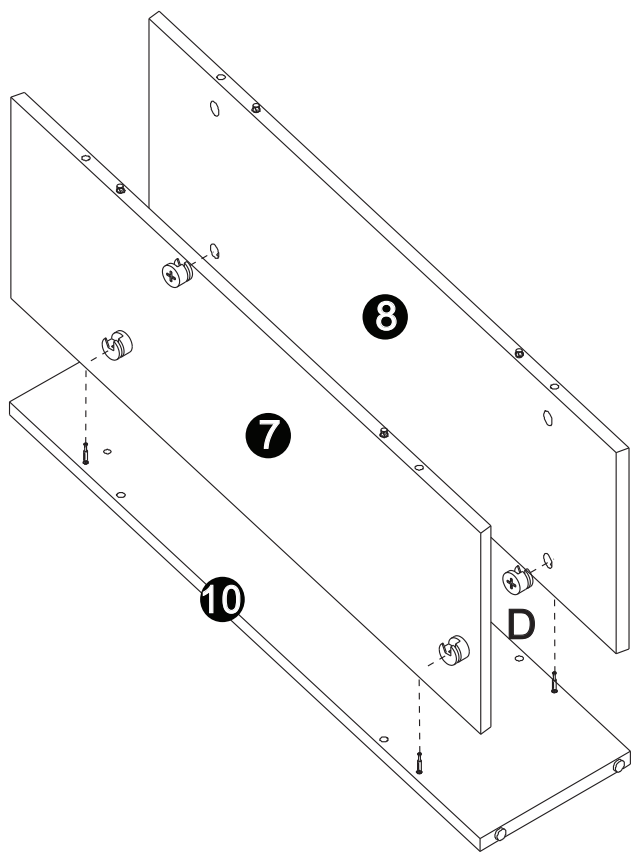


4

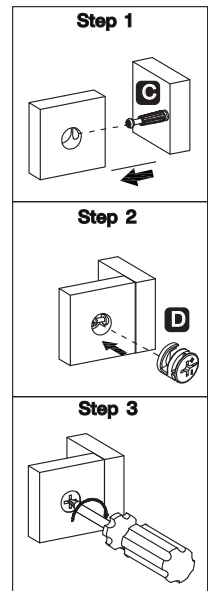
E

Ø8X30mm
8pcs



5

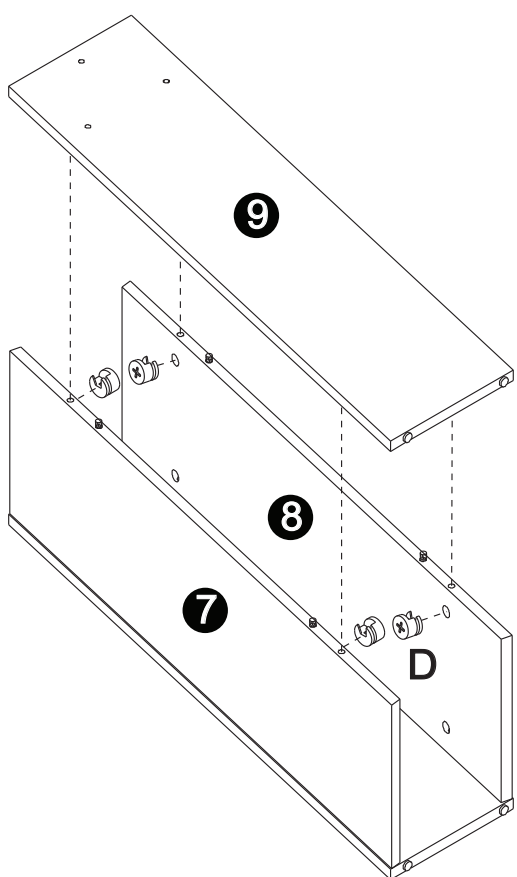


D
Ø15mm
8pcs

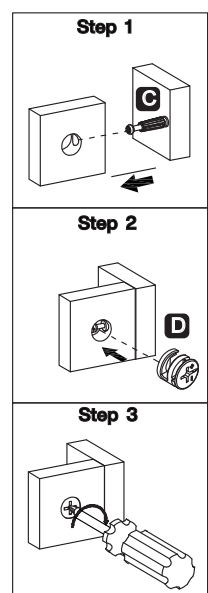


X2

6

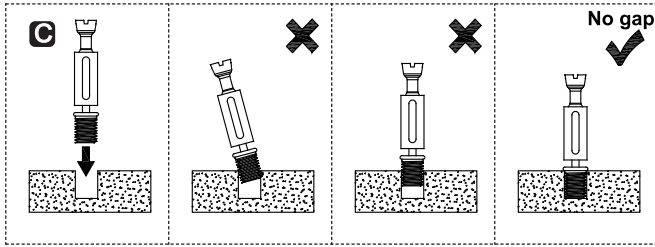



D
Ø15mm
8pcs

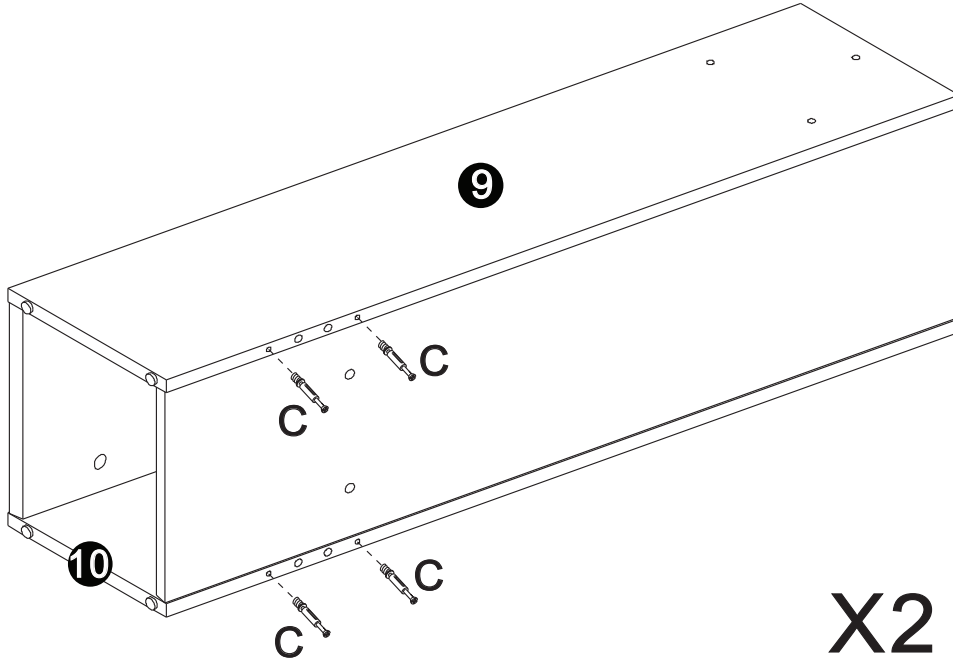


X2

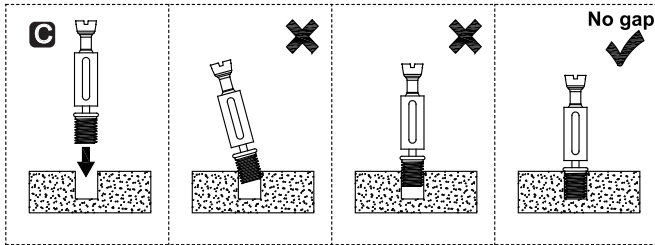
7





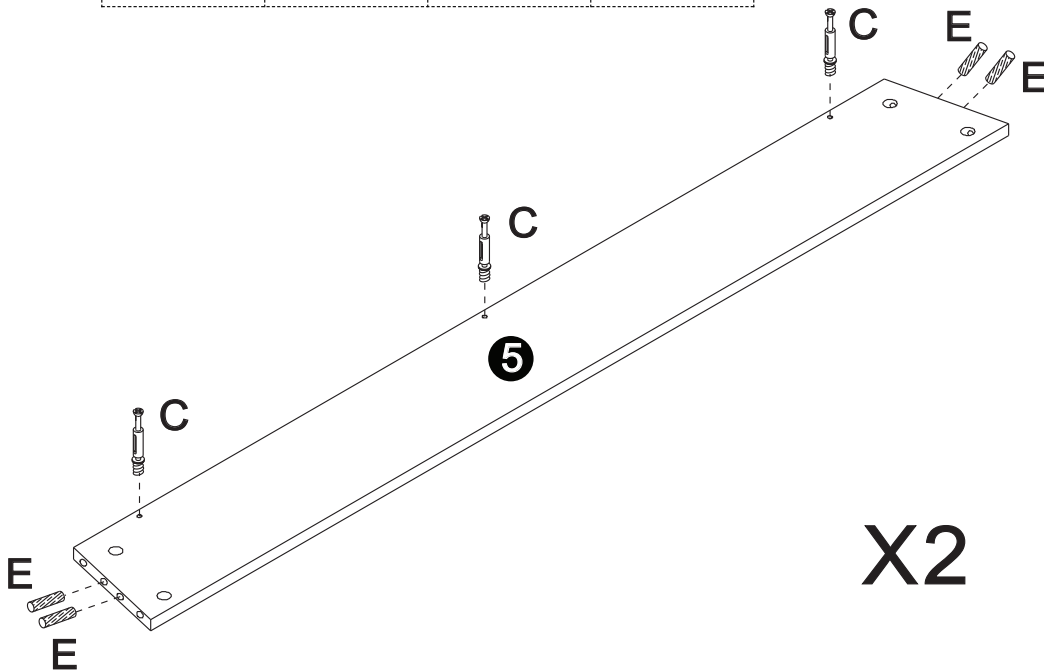
C

M6x44.5mm
8pcs



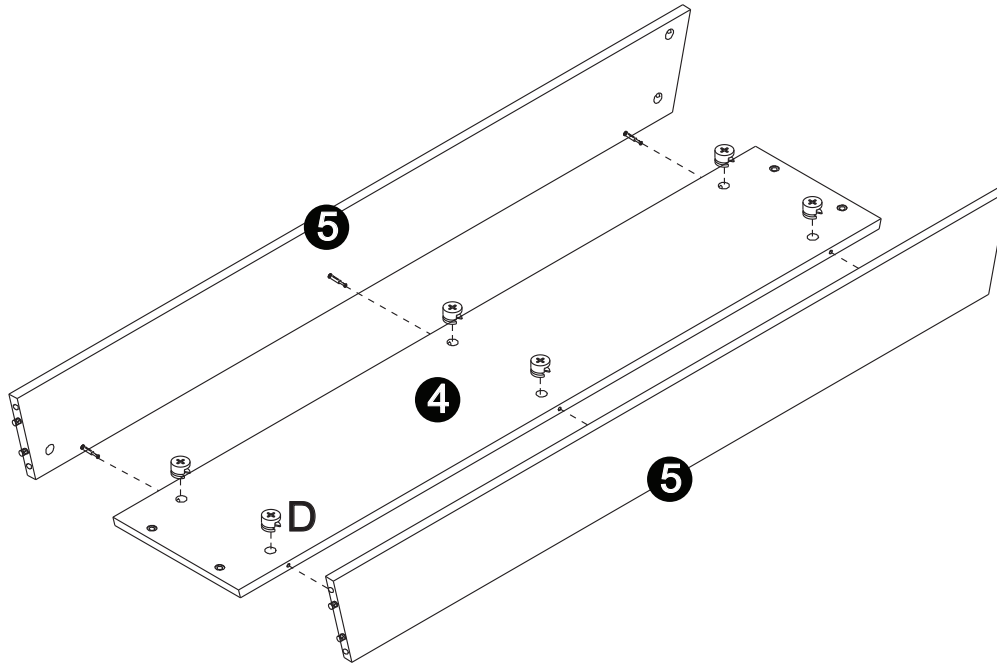
8




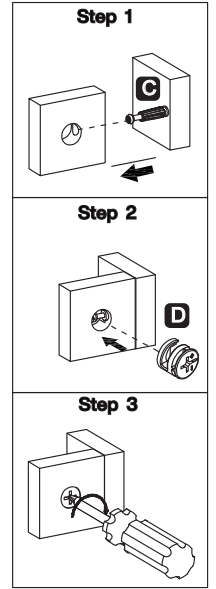
C

M6x44.5mm
6pcs
E

Ø8X30mm
8pcs



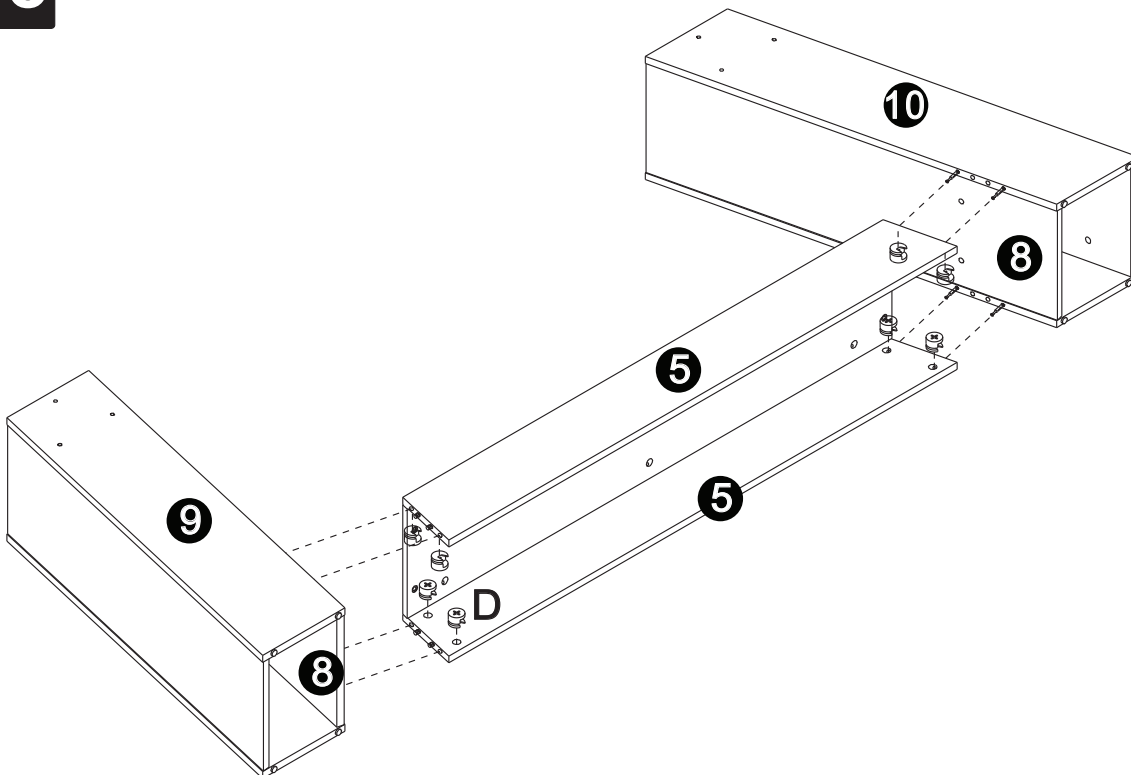
9




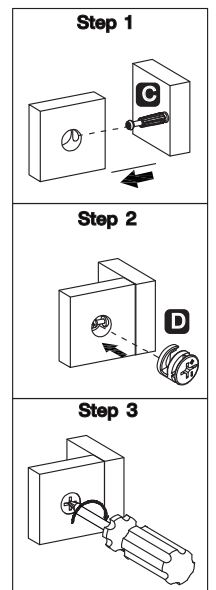
D

Ø15mm
6pcs



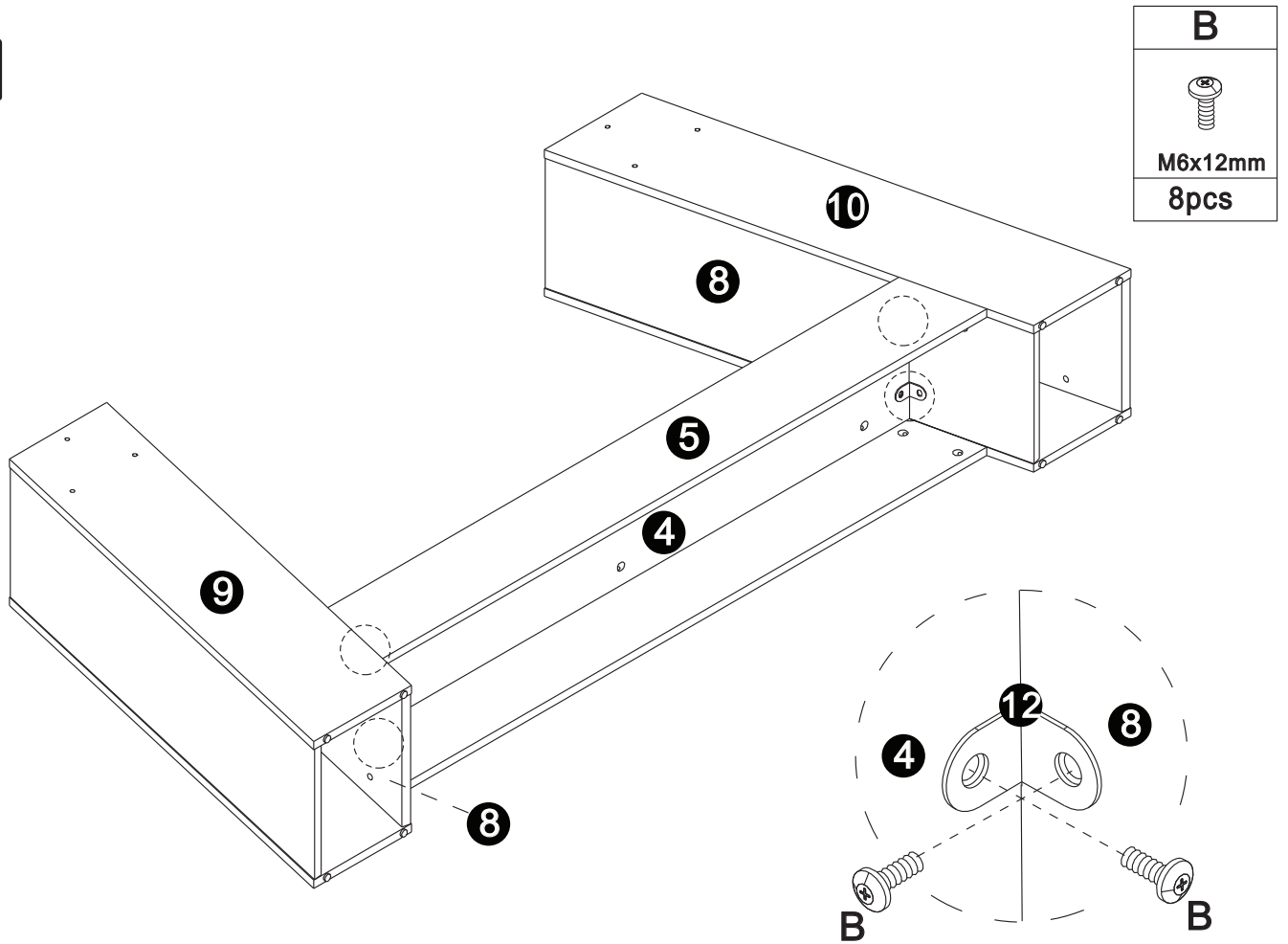
10



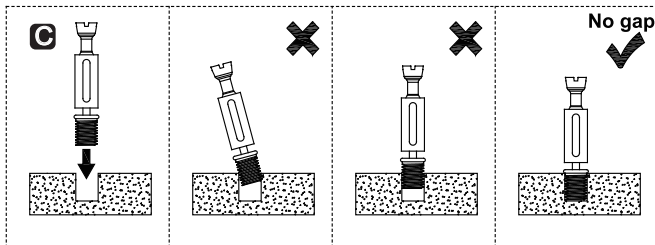
D

Ø15mm
8pcs





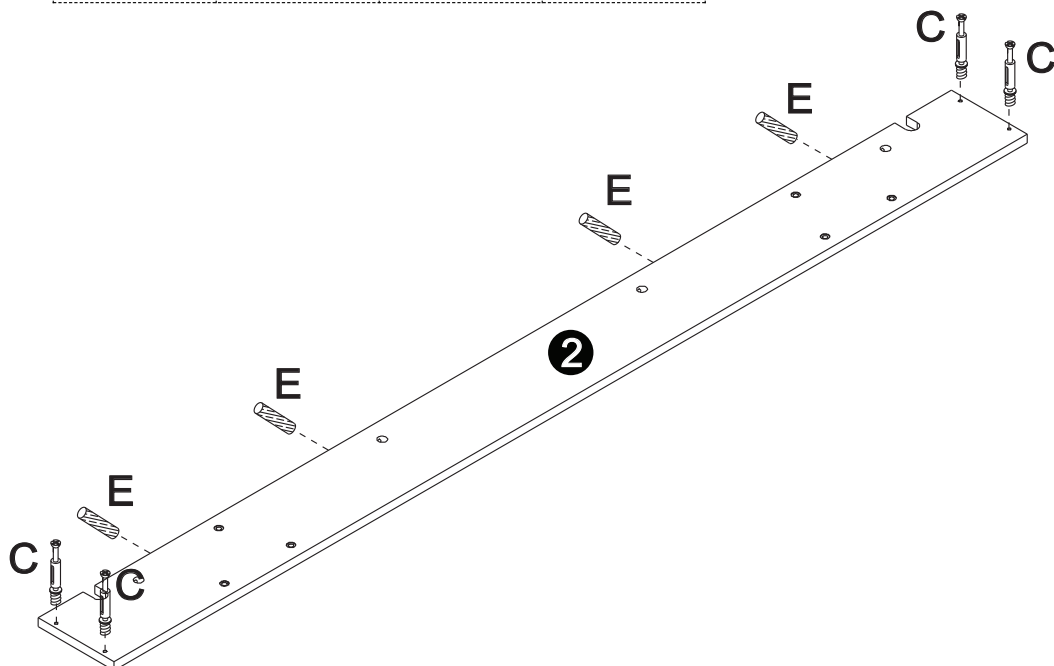
11



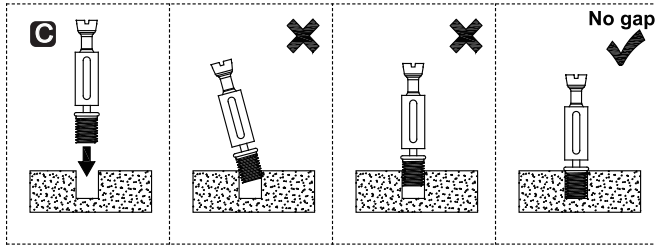
12





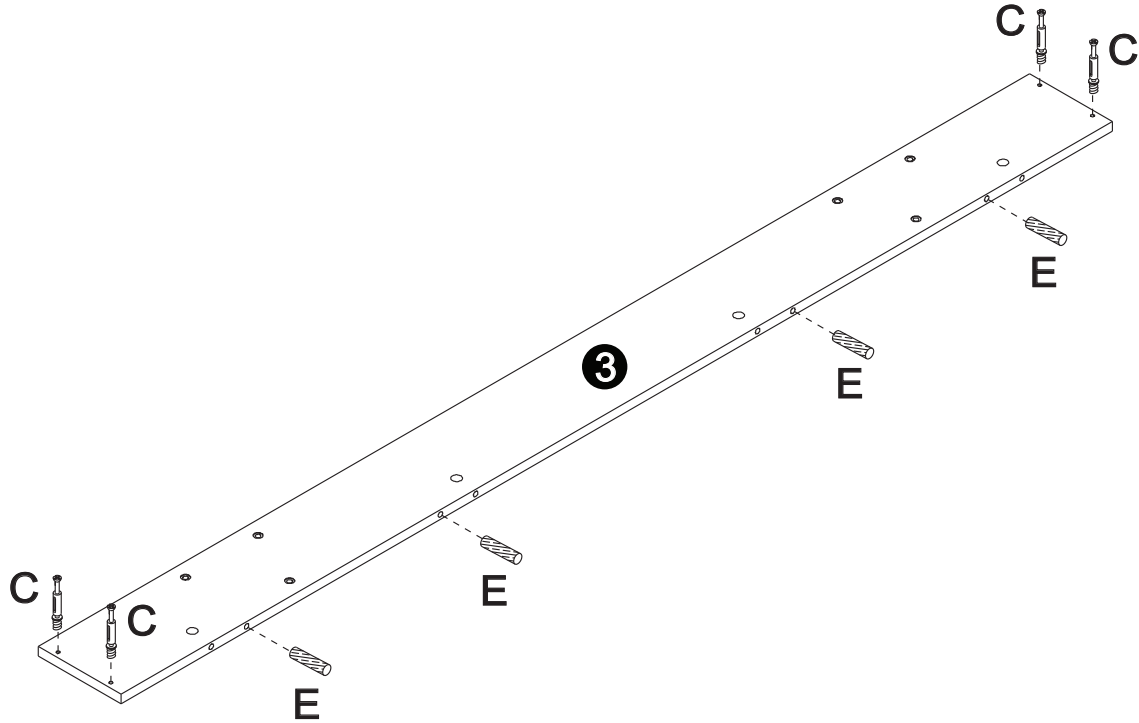
E	C
	
Ø8X30mm	M6x44.5mm
4pcs	4pcs



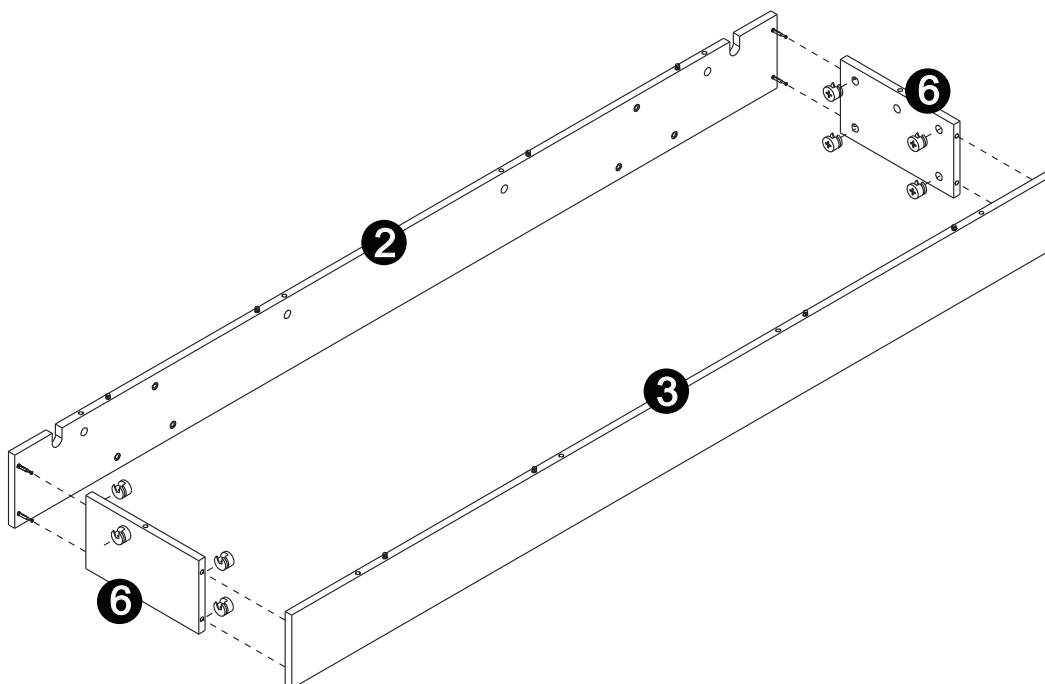
13




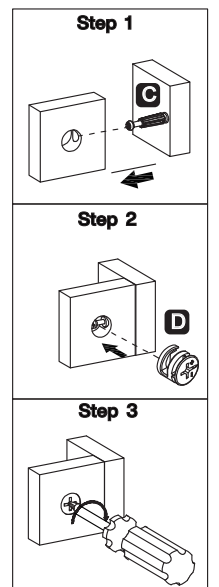
E	C
	
Ø8X30mm	M6x44.5mm
4pcs	4pcs



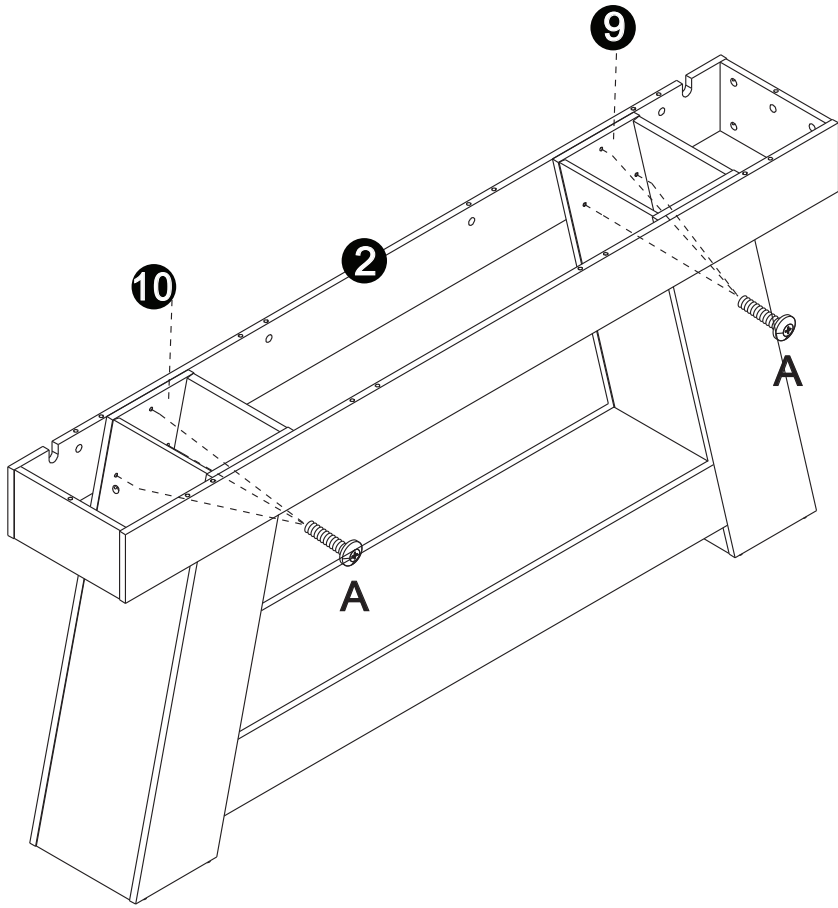
14

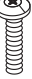


D

Ø15mm
8pcs

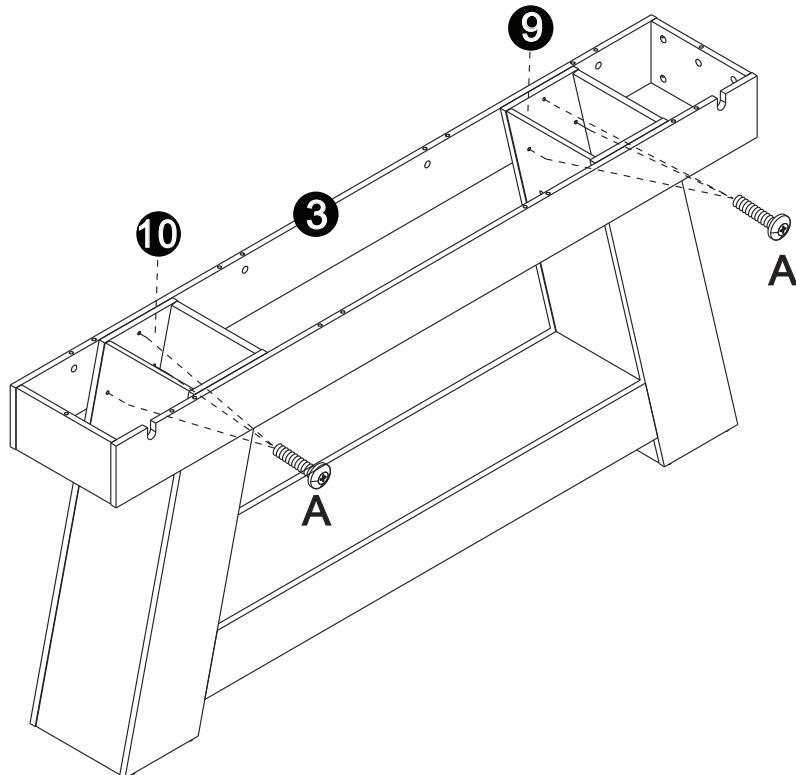


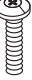
15




A

M6x25mm
6pcs

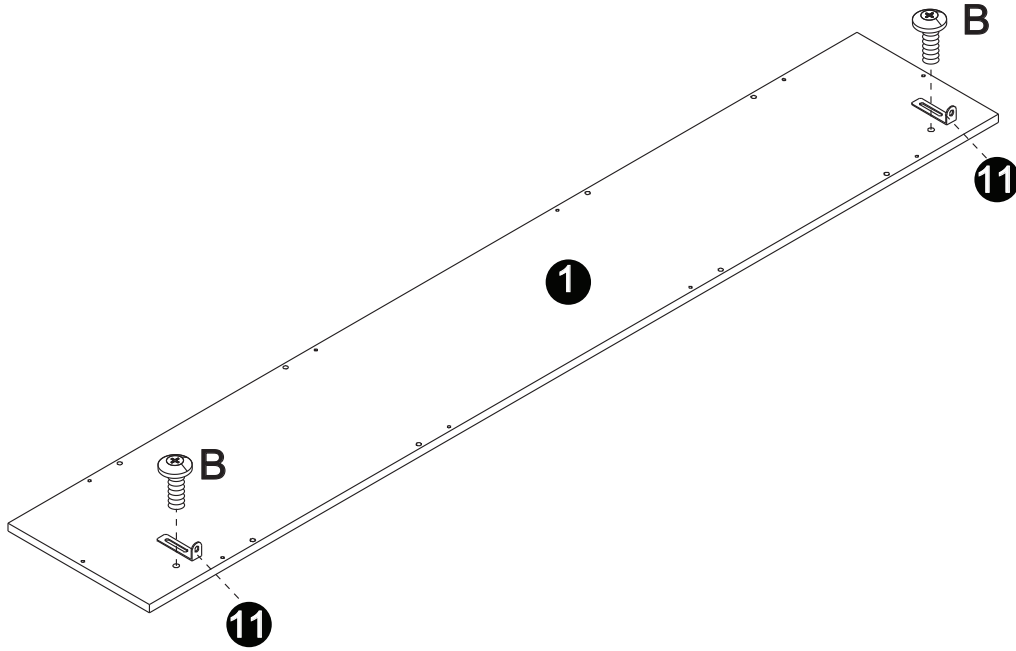
16



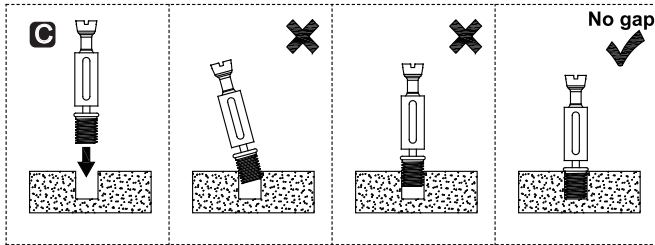
A

M6x25mm
6pcs

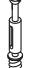
17

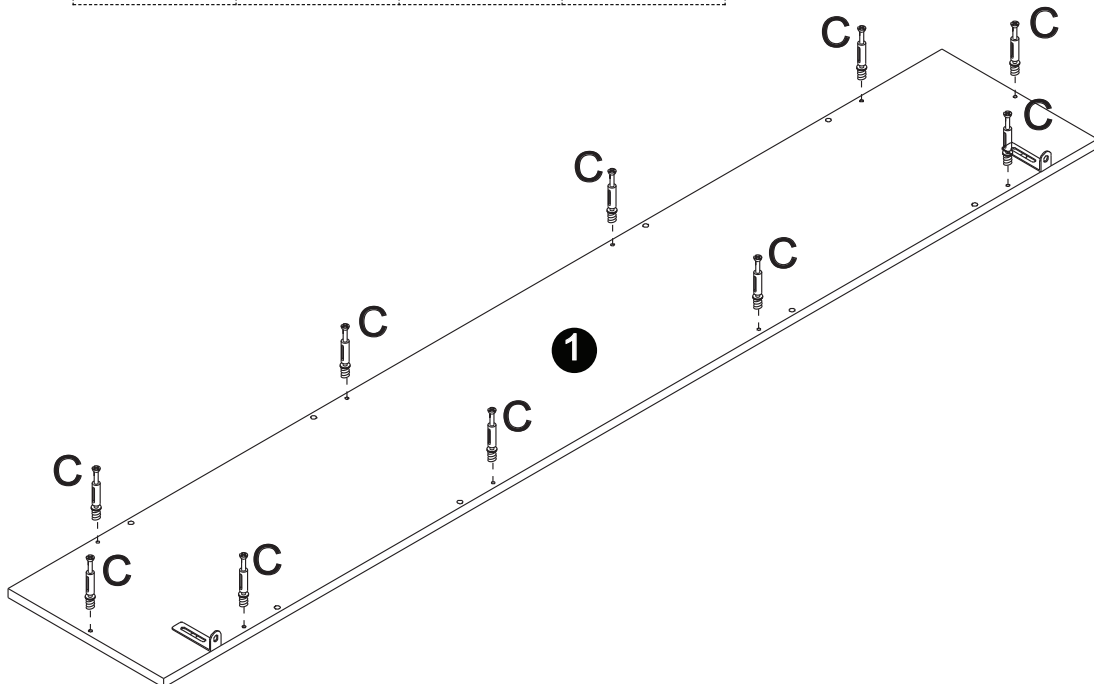
B

M6x12mm
2pcs



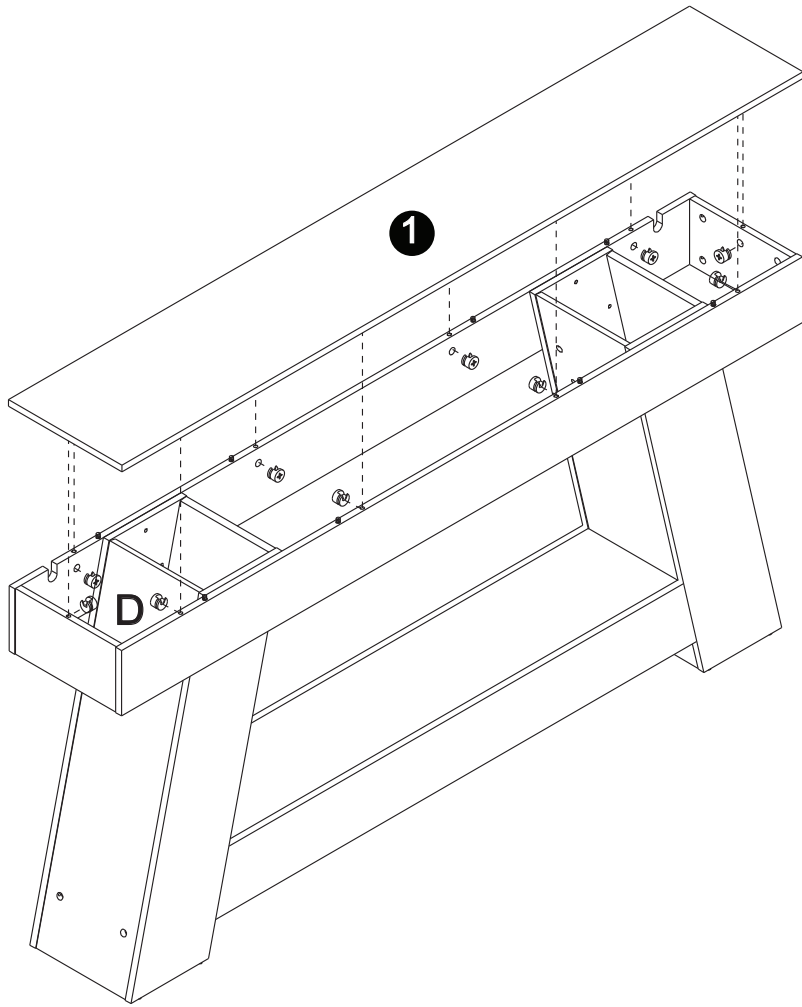
18



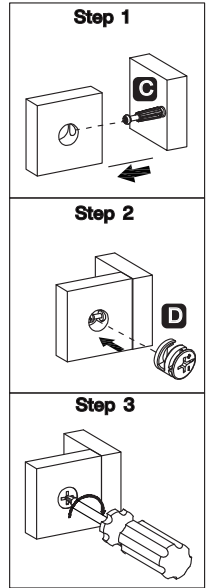
C

M6x44.5mm
10pcs



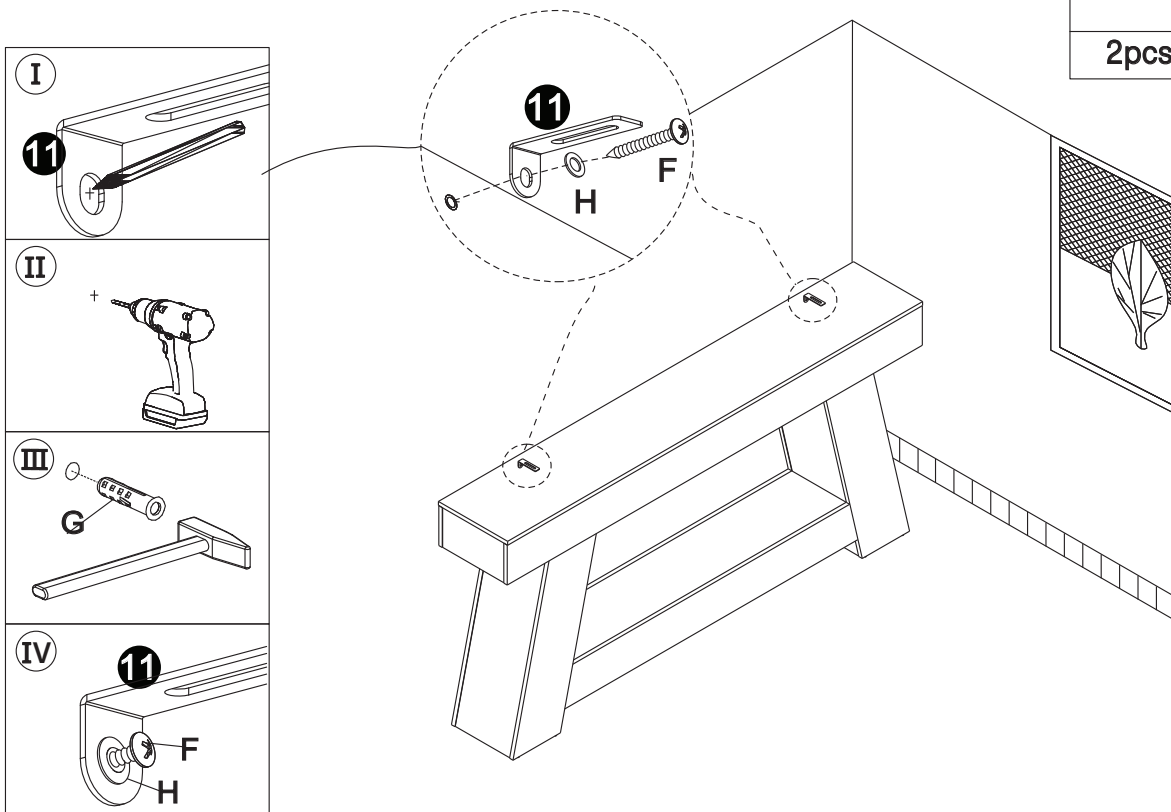
19



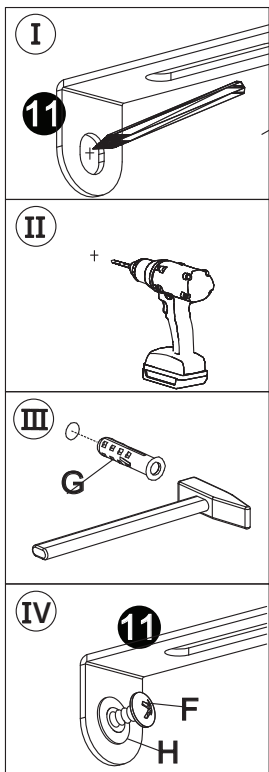
D
Ø15mm
10 pcs



20



G	F
2 pcs	M4x24.5mm 2 pcs
	H
	2 pcs



Thank you for your support!

