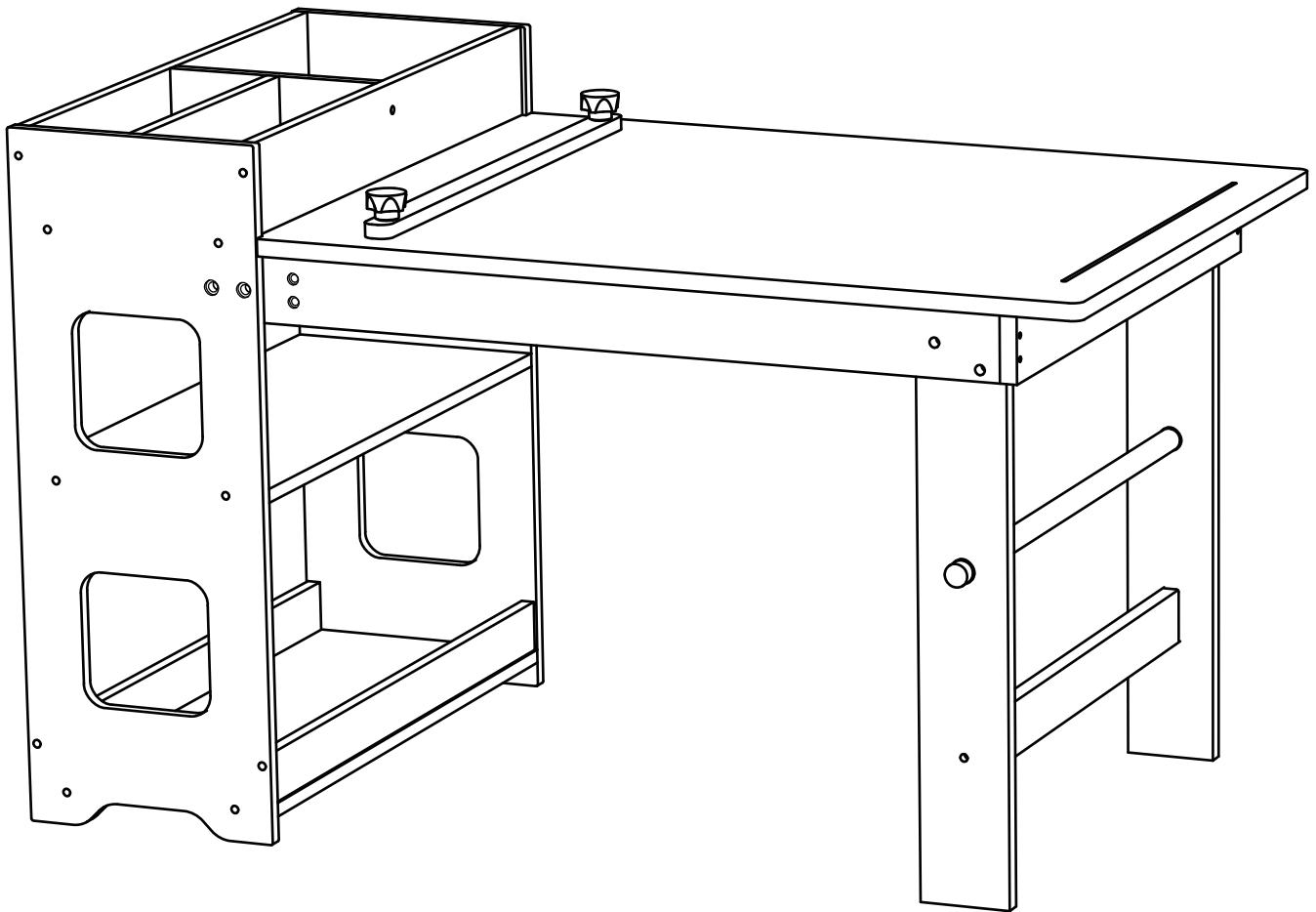


Kids Art Table with Storage



Rev 09/13/2025

ASSEMBLY INSTRUCTIONS



Two-Person
Assembly



Assembly Time
30 - 60 Minutes



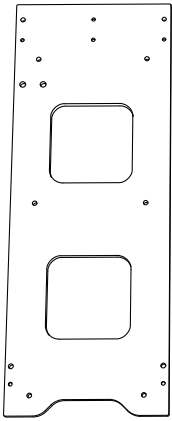
For Indoor

WARNING

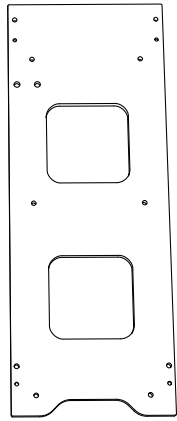
- ▲ To reduce the risk of serious injury or death, please read and follow these instructions. Keep and refer to instructions as needed and pass along to any future owners of this item.
- ▲ Lack of attachment may cause a risk of tipping.

We do our very best to ensure accuracy in every order, but occasionally we miss something. That's why our warranty covers every single part of your new product for 90 days after purchase. If you have trouble assembling the product or find missing parts, contact us anytime. We'll reply you right away to help fix it.

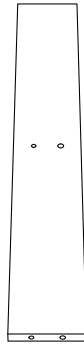
Parts and Hardware



① x 1



② x 1



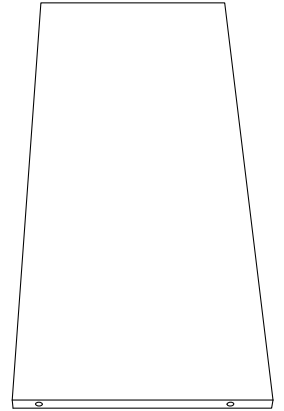
③ x 2



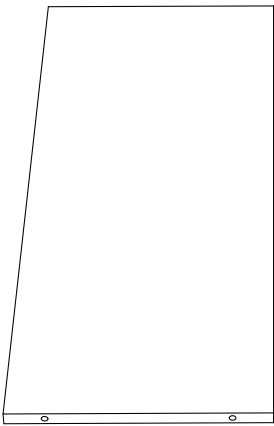
④ x 1



⑤ x 1



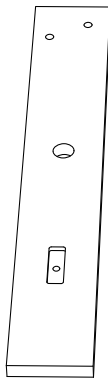
⑥ x 1



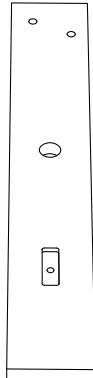
⑦ x 2



⑧ x 1



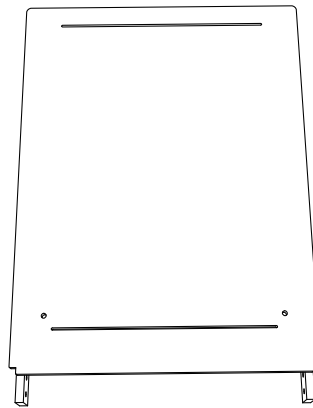
⑨ x 1



⑩ x 1



⑪ x 1



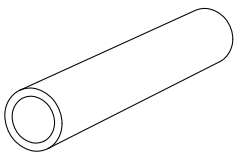
⑫ x 1



⑬ x 1



⑭ x 1



Drawing paper is not included



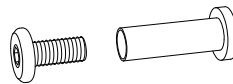
A x 24

M 6 x 45 mm

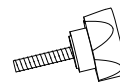


B x 14

Φ 5 x 20 mm



C x 8



D x 2

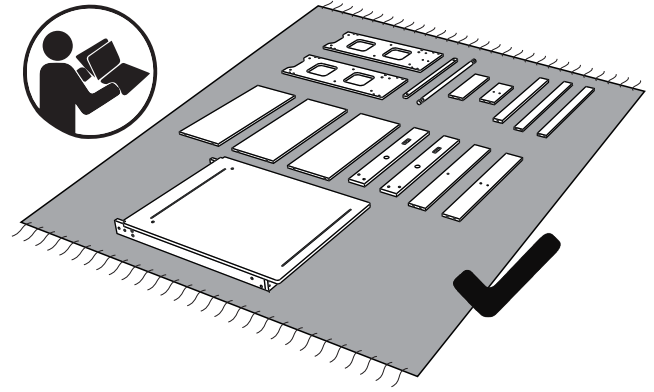
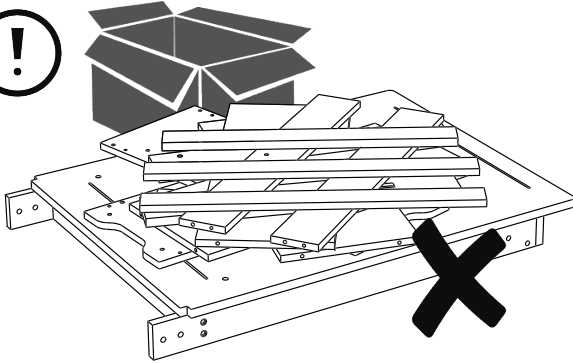
E x 1

M 4

All hardware dimensions are approximate.

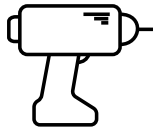


1. Always use a soft surface (such as carpet or cardboard) when assembling your product to avoid scratching or damaging the surface of the product.
2. This product only includes a hex wrench, the electric screwdriver not include. If an electric screwdriver is used for installation, the torque of the electric screwdriver should be adjusted to a low setting to prevent excessive torque from damaging the product.
3. Before installation, please carefully check whether there is any sawdust left in the holes of each plate. If there is any sawdust, please clean it up in time to avoid affecting the subsequent installation.



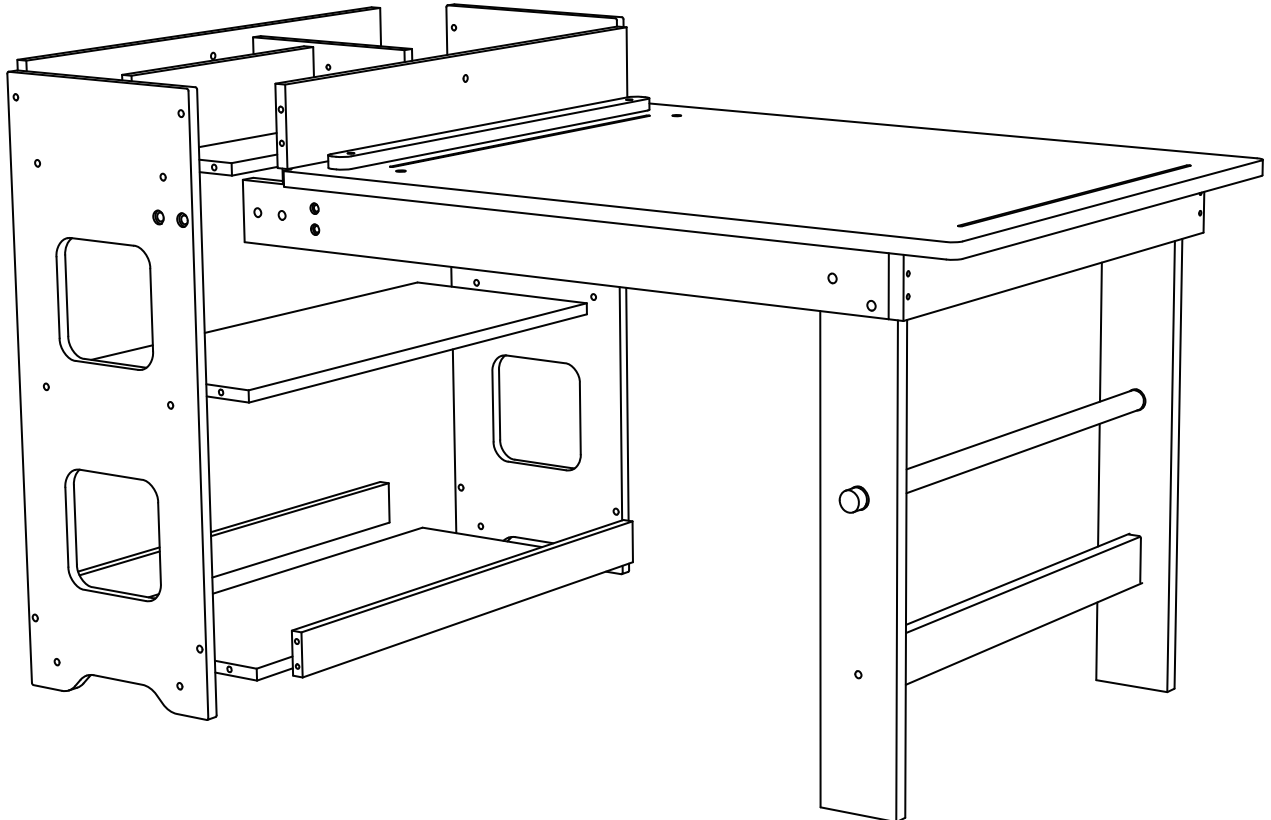
Hex Wrench

or



Electric Screwdriver

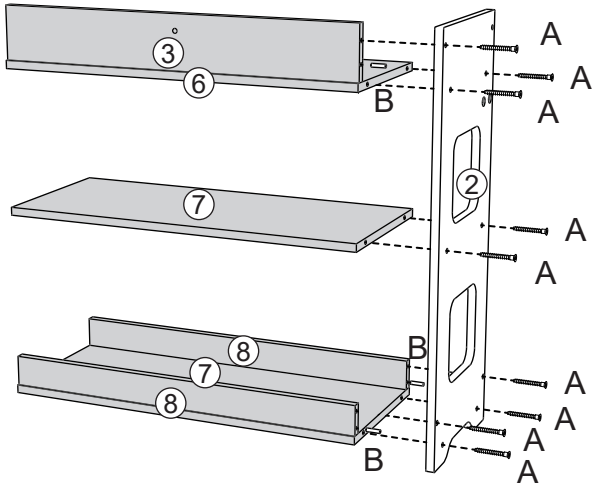
Exploded
View



NOTE:

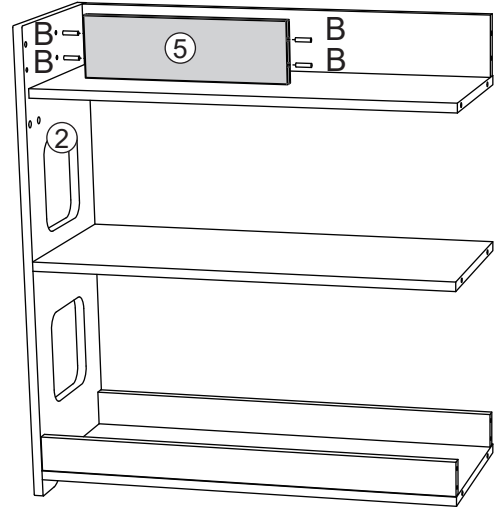
1. If it seems parts aren't fitting together you likely have something wrong and you should reread the instructions to ensure you are aligning the proper components.
2. When assembling the product, do not tighten the screws all the way at the first, tighten them to 70% , and then once all the screws are assembled, tighten them to 100%.

Step 1



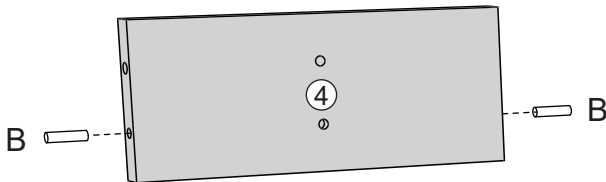
Use 9 pcs A screws and 3 pcs B wooden plugs to connect (2) with (3), (6) (7) and (8).

Step 2



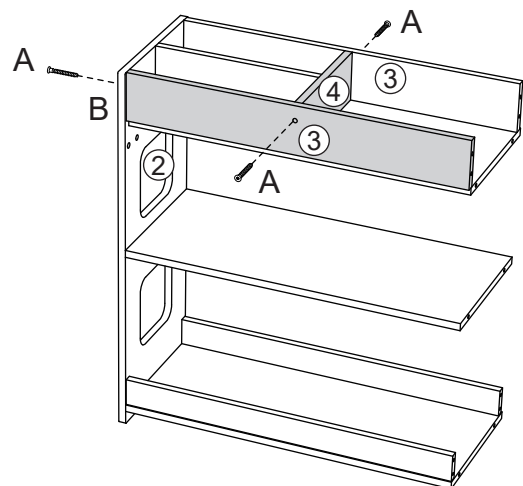
Use 4 pcs B wooden plugs to connect (5) with (2).

Step 3



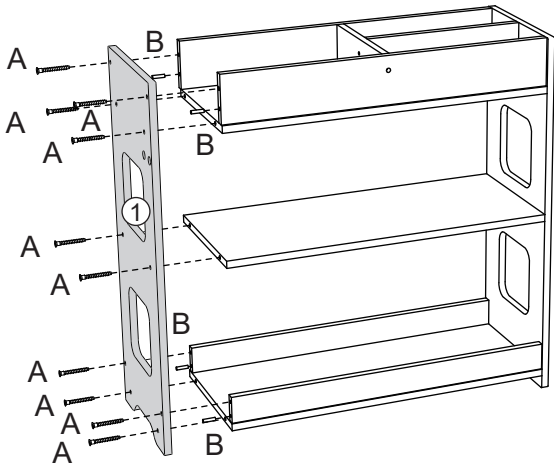
Attach 2 wooden plugs B into the board (4).

Step 4



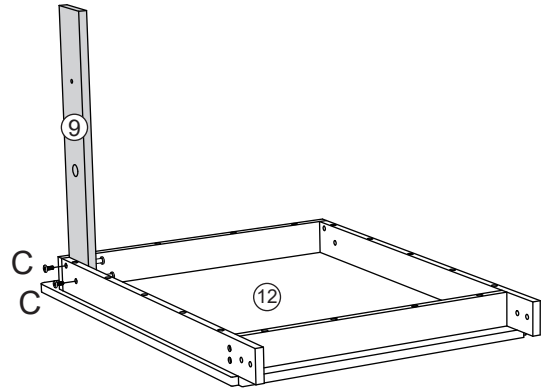
Use 3 pcs A screws and 1 pc B wooden plug to connect (3) and (4) with (2) and (3).

Step 5



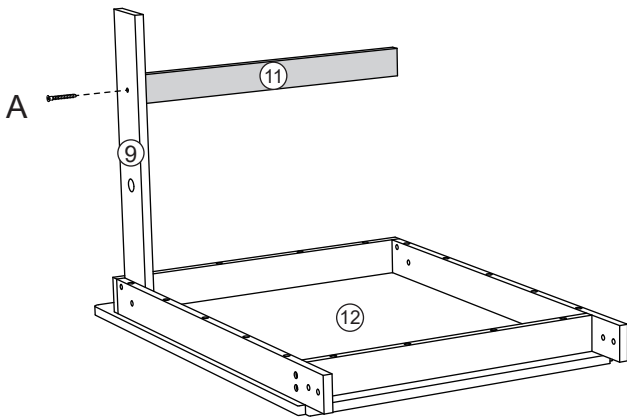
Use 10 pcs A screws and 4 pcs B wooden plugs to connect ① with the previously assembled components.

Step 6



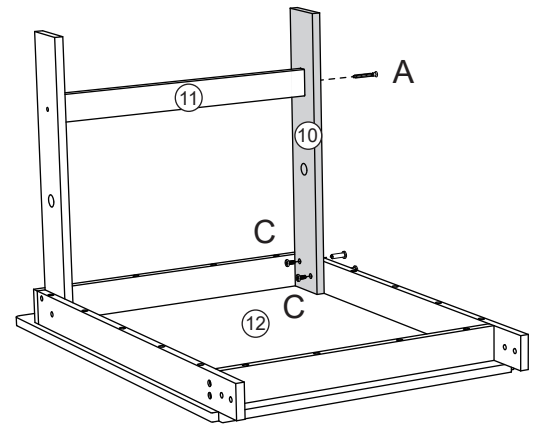
Use 2 pcs C screws to connect ⑫ with ⑨.

Step 7



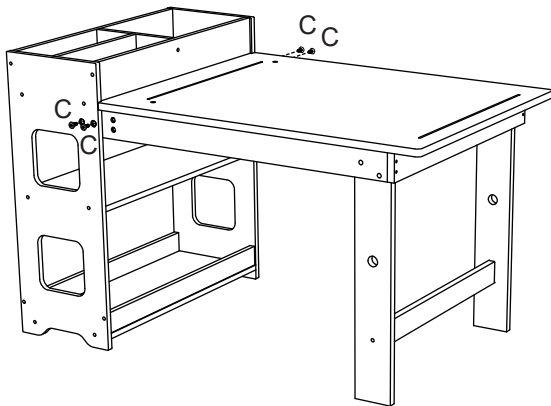
Use 1 pc A screw to connect ⑨ with ⑪.

Step 8



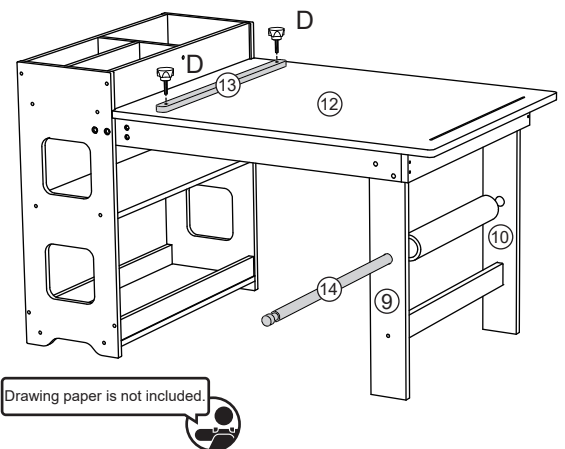
Use 2 pcs C screws and 1 pc A screw to connect ⑩ with ⑪ and ⑫.

Step 9



Use 4 pcs C screws to connect the two previously assembled components.

Step 10



Drawing paper is not included.

Use 2 pcs D screws to connect ⑬ with ⑫, Pass the round stick ⑭ through the holes in the table legs ⑨, ⑩ and the drawing paper.

Please retain this information for future reference.

Important information - please read first

For Indoor use only.

Residential home use only. Not intended for public areas such as multi - unit residences, schools, churches, nurseries, day cares or parks.

Warning: Only for residential use.

Please note that our warranty does not cover the use of permanent markers, washable markers, crayons, paints, chalk or other implements that may contain color dyes that could permanently damage the product surface. Please also note that some of these substances may also change the product color.

Cleaning information

Surface clean only. Do not use any cleaning product containing alcohol or ammonia.

⚠ Warning:

Adult assembly required. Product includes small parts with potentially hazardous sharp points and sharp edges in the unassembled state. Keep unassembled parts away from children.

Use and maintenance:

Use on level surfaces only.

Please check assembly at regular intervals, and frequently tighten hardware if necessary. If maintenance is not carried out, the product could cease to function properly.

Wash all food/drink playthings thoroughly before use.

Not dishwasher, oven or microwave safe.

Since our establishment in 2016, Wingyz Wooden Home has been dedicated to creating high-quality and authentic wooden home furnishings. Our skilled craftsmen use traditional woodworking techniques to transform the natural beauty of wood into unique, functional pieces that add warmth and character to any home.

Maintenance Instructions:

Screws and bolts should be retightened from time to time.

To clean, use a wet cloth or a sponge with soap to remove stubborn dirt.

Avoid using solvents and dilutions.



WARNING

Never leave the child unattended