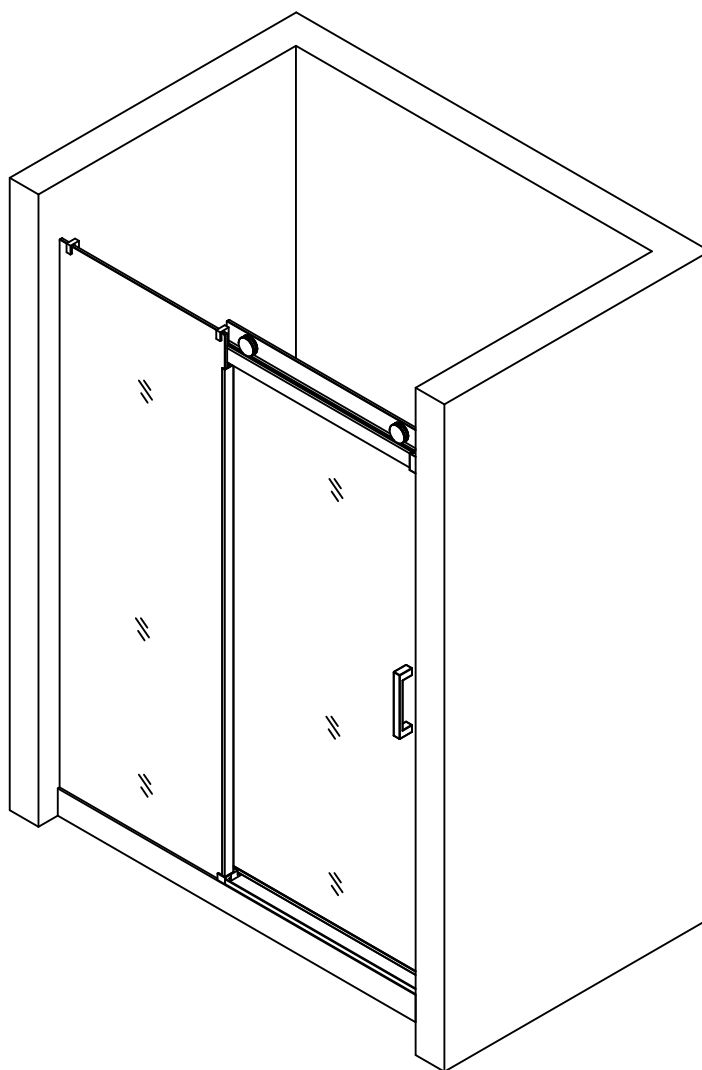


Shower Door Installation Guide

SS08



Plz do not just return when meeting difficulties in installation, just contact your seller for help.

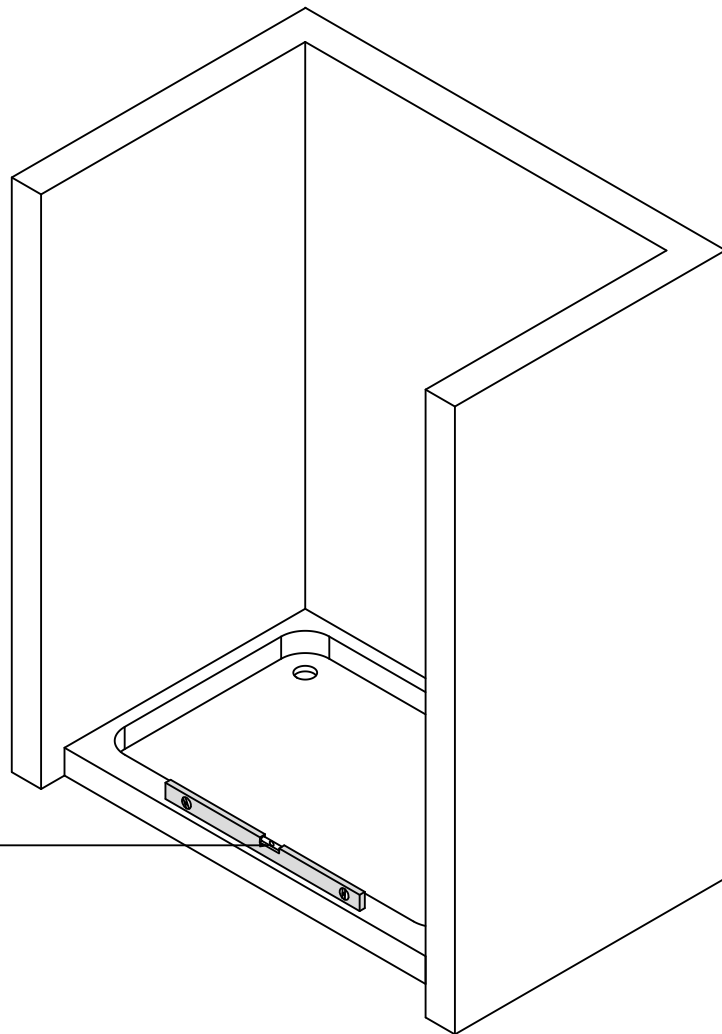
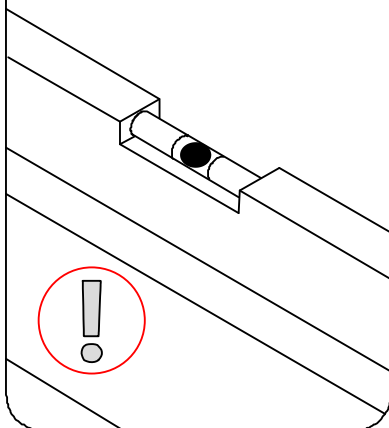
Model Specific Preparation



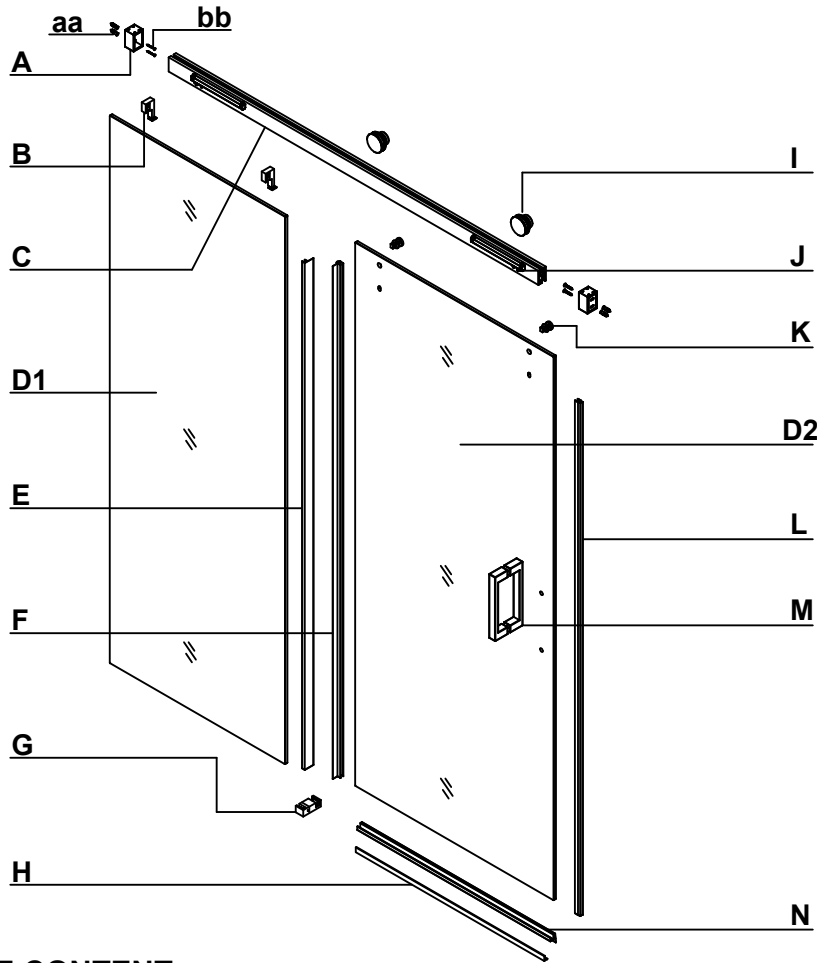
REQUIRED:

Inspect the shower threshold for level with a level or straightedge. Adjust the threshold as necessary until achieving perfectly horizontal.

The threshold must be perfectly horizontal.



PACKAGE CONTENT

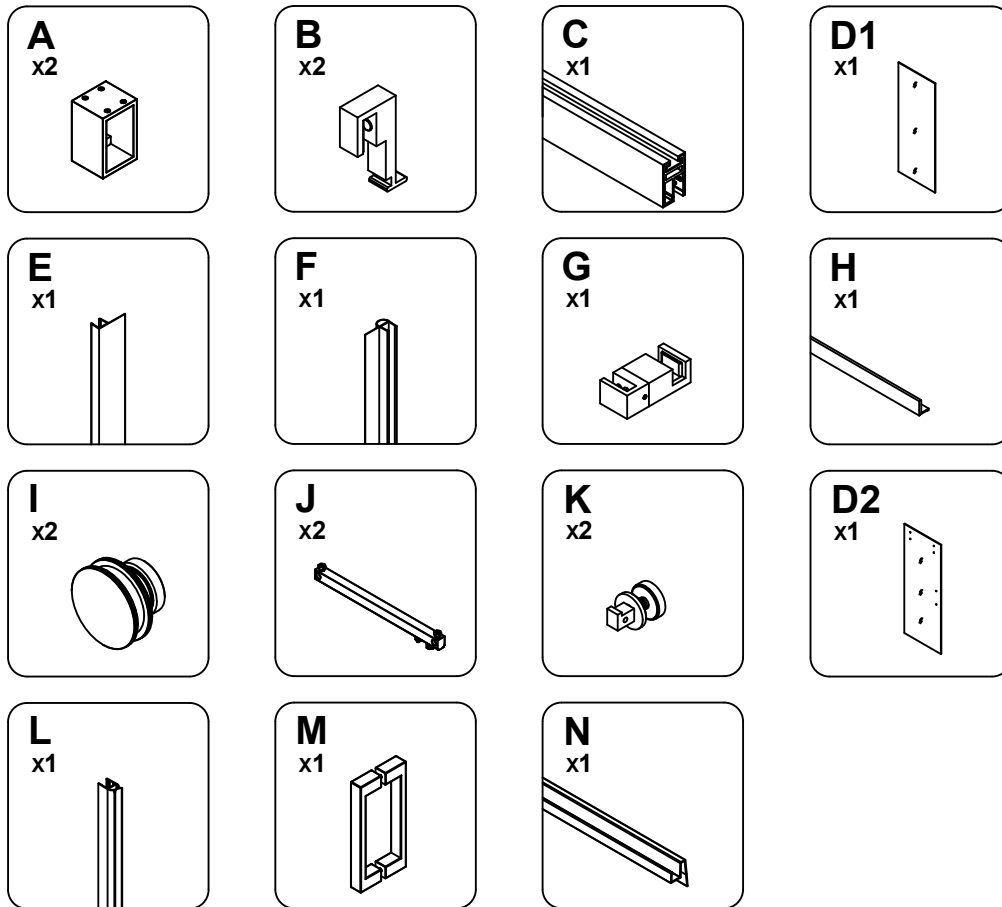


PACKAGE CONTENT

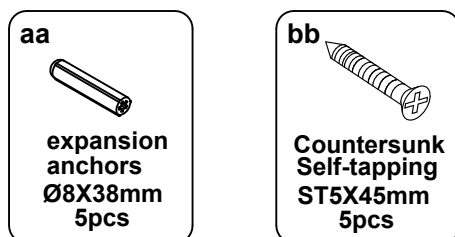
PART#	DESCRIPTION	QTY	PART#	DESCRIPTION	QTY
A	Rail Support Bracket	2	I	Roller	2
B	Shower door fastener	2	J	Buffer	2
C	Guide rail	1	K	Anti-Jump Knob	2
D1	Fixed door panel	1	D2	Sliding door panel	1
E	Fixed side Seal Strip	1	L	Door side Bulb Seal Strip	1
F	Door side Seal Strip	1	M	Handle	1
G	Bottom Guide Block	1	N	Bottom Seal	1
H	Threshold Water Dam	1			

NOTE Please inspect all parts for any missing items before installation! If any part is missing, please contact us.

PACKAGE CONTENT



HARDWARE CONTENT



Additional spare parts are included.



**Inspect all parts for any missing items prior to installation!
Contact us if any parts are missing.**


TOOLS REQUIRED

Drill Bits




Ø1/4" & Ø5/16" (6 & 8mm) dia.
HSS

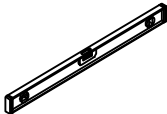
Screw Driver



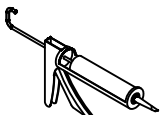
Drill




Level




Silicone




Measuring Tape



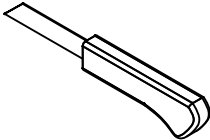
Soft Head Hammer



Pencil



Knife




**Masonry Drill Bit For Tile
Ø6mm**



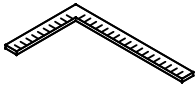
Safety Glasses



Gloves



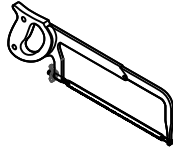
Carpenter's Squarer



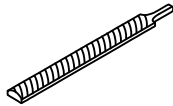
Masking or Painter's Tape



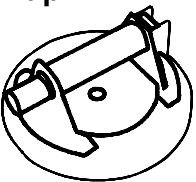
Hack Saw



Metal File



Glass suction Cup



SAFETY INFORMATION

CAUTION

Please carefully read the following important safety information before handling or installing this shower. There is a risk of serious injury while handling this product.

To minimize these risks, please note:

- Always wear safety glasses and gloves while handling.
- Always follow the installation instructions.
- Inspect the glass for damage before installation.
- Extreme caution should be taken while handling the glass during installation, as the tempered glass may shatter if it comes into contact with a hard surface.
- Do not cut or modify the tempered glass, as it will shatter if cut.
- Carefully remove the product from its packaging and keep the packaging until the installation is complete.
- Inspect all parts for damage or missing items. If there is any damage or missing parts prior to installation, please contact your seller for help.
- Cover the drain with tape to prevent the loss of small parts.
- The shower base and finished walls should be installed before beginning the shower door installation.
- During installation, protect the shower floor with a drop cloth to prevent damage.
- This product should be installed by two people who are familiar with construction requirements. Professional installation is recommended!
- Keep this installation manual for future reference.

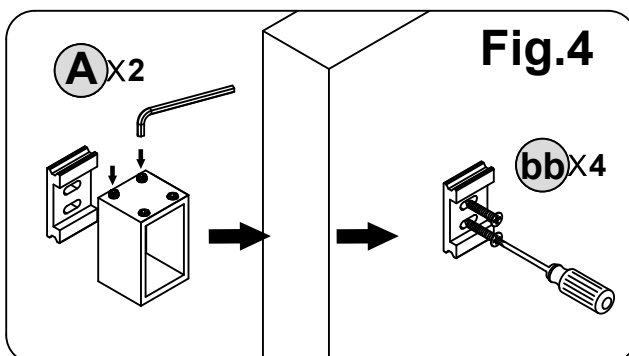
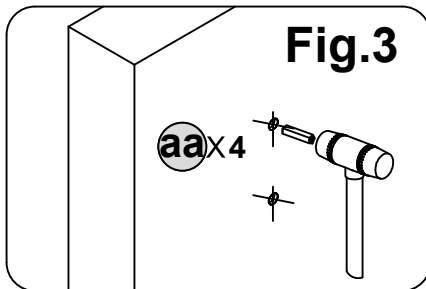
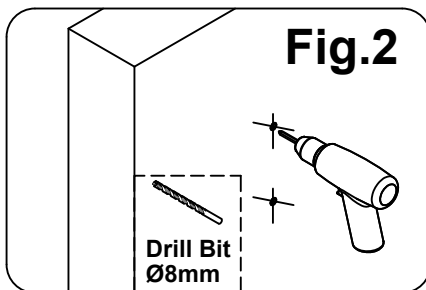
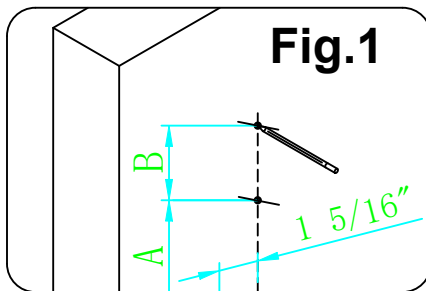
NOTE: Two people should perform this installation.



1 Install Rail Support Bracket (A)

NOTE

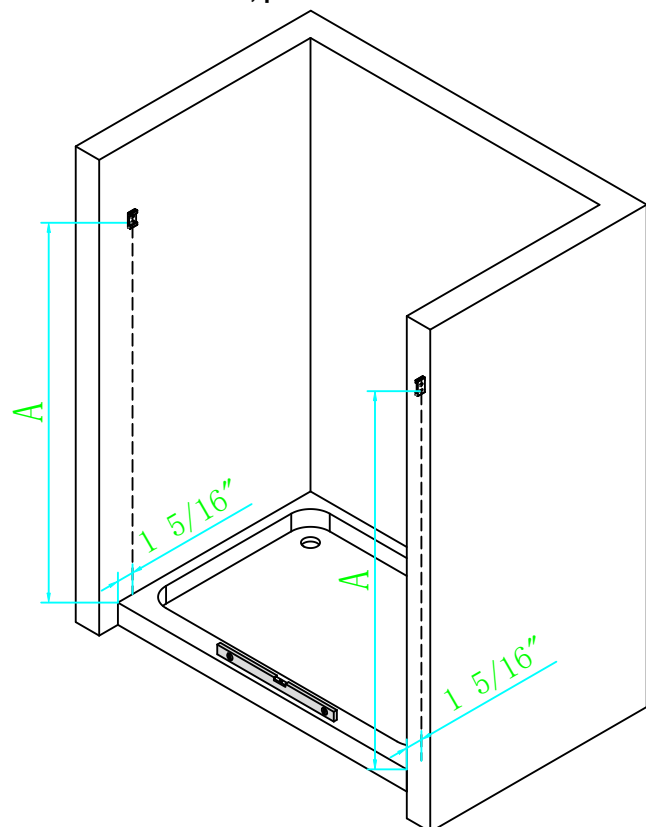
1. Mark positions at $1\frac{5}{16}$ " (34mm) from the edge at height A, then at B above it.
2. Drill $\varnothing 8$ mm holes at marked points.
3. Tap **expansion anchors (aa)** into the wall using a soft-head hammer.
4. Secure left/right **Rail Support Brackets (A)** to the wall with **ST5x45mm countersunk self-tapping screws.(bb)**



Product Height	A	B
60"(1524mm)	56 1/4"(1428mm)	1"(25mm)
66"(1676mm)	62 1/4"(1581mm)	
72"(1828mm)	68 1/4"(1733mm)	
75"(1905mm)	71 1/4"(1810mm)	
76"(1930mm)	72 1/4"(1835mm)	
78"(1981mm)	74 1/4"(1886mm)	
79"(2006mm)	75 1/4"(1911mm)	

*A=product height-3 3/4"(95mm)

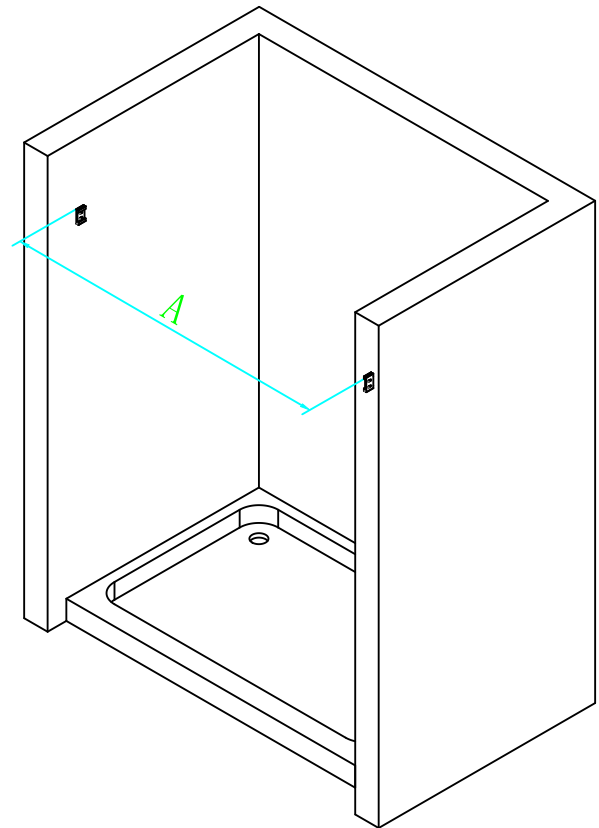
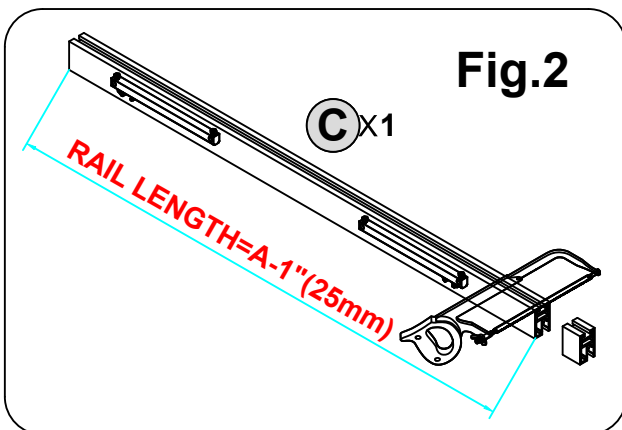
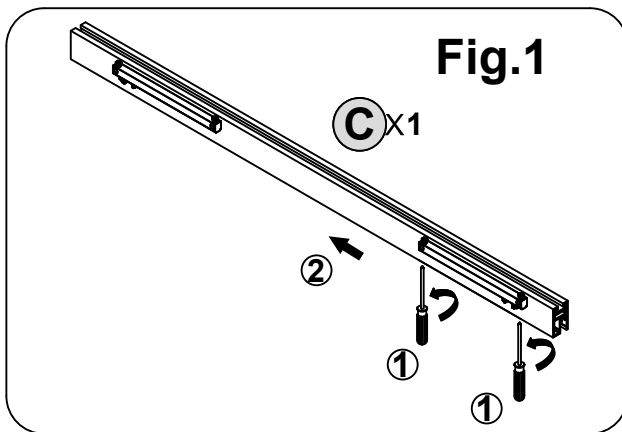
*Without the size, please contact the local dealer.



2 Guide Rail (C) preparation

NOTE

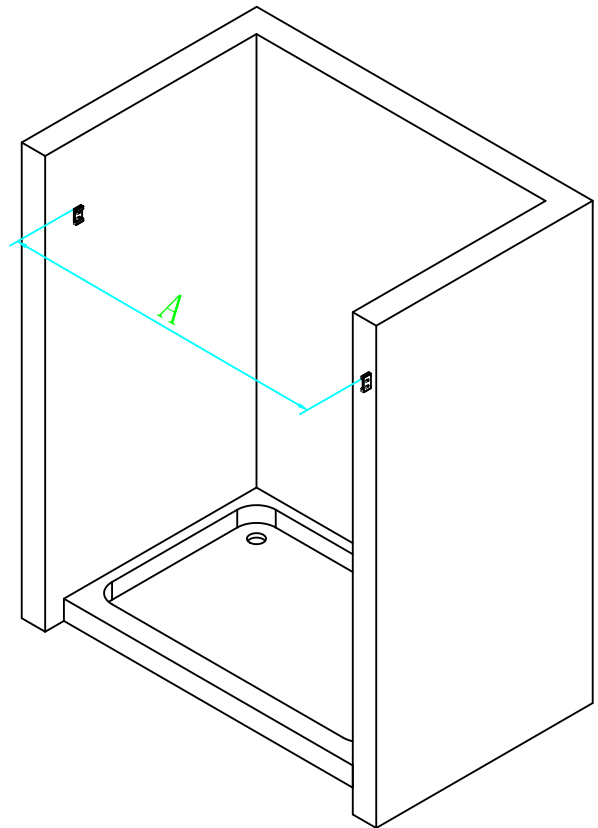
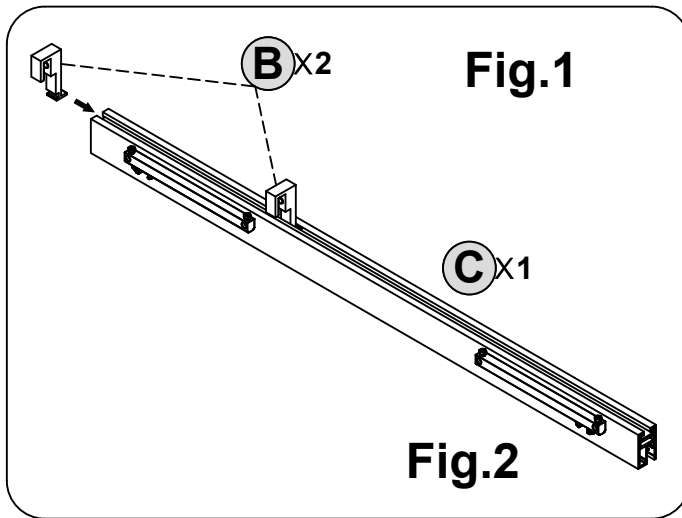
1. Loosen the **Buffer (J)** screws and slide them inward along the **Guide Rail (C)**.
2. Measure and trim excess **Guide Rail (C)** length [A-1" (25mm)] using a hacksaw.



3 Guide Rail (C) assembly

NOTE

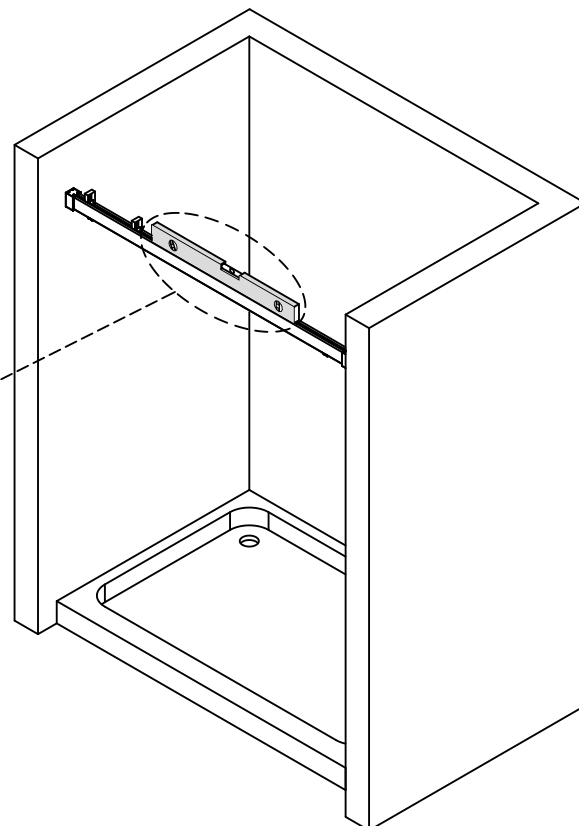
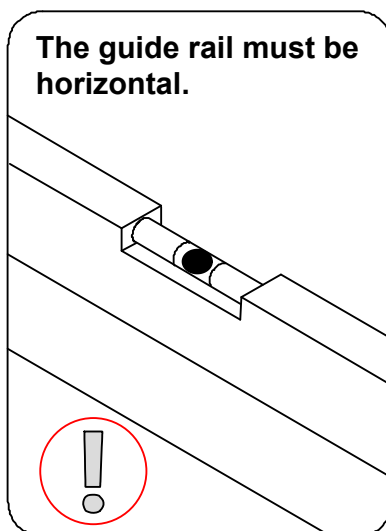
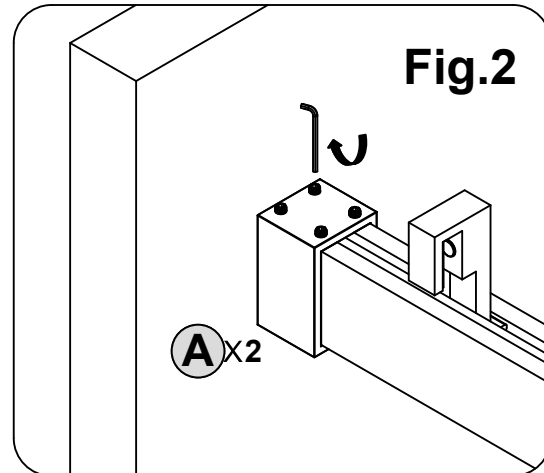
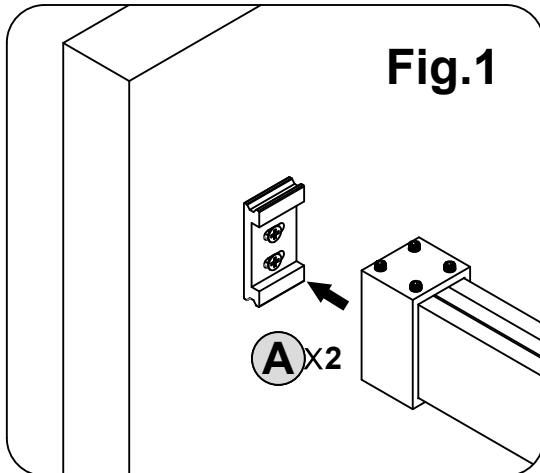
1. Insert **Shower Door Fasteners (B)** into the **Guide Rail (C)** slots.
2. Slide **Buffers (J)** outward to (a=67mm) position. Tighten with a hex key. Loosen set screws on **Rail Support Brackets (A)** and slide them onto the **Guide Rail (C)**.



4 Mount **Guide Rail (C)**

NOTE

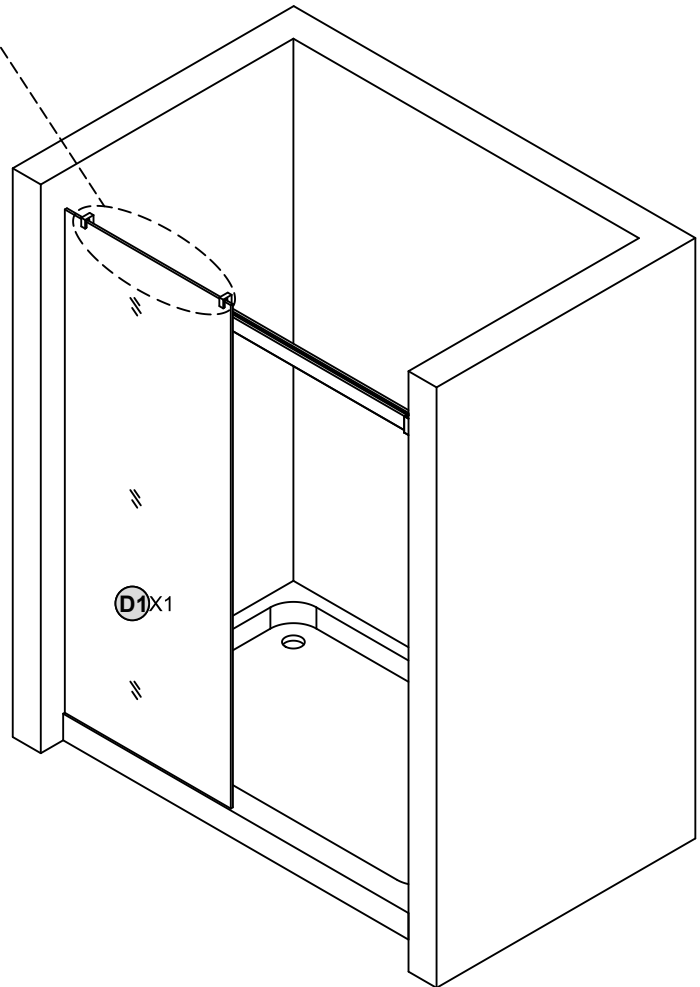
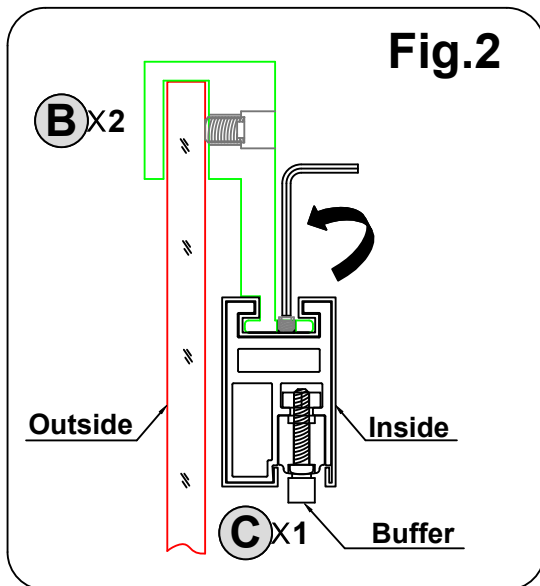
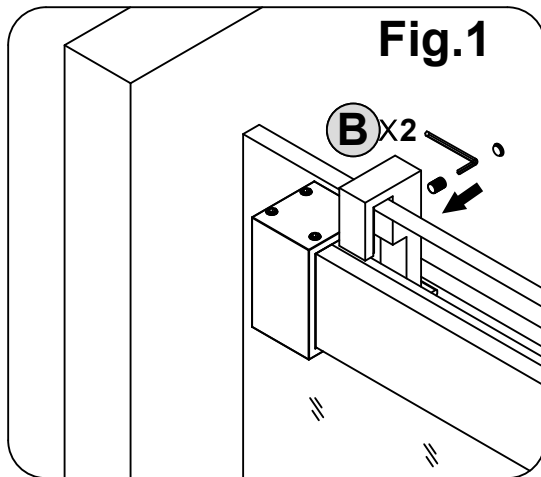
1. Attach the **Guide Rail (C)** to the installed **Rail Support Brackets (A)**.
2. Tighten all set screws on **Brackets (A)** and **Guide Rail (C)** using a hex key.



5 Install **Fixed Door Panel (D1)**

1. Adjust **Shower Door Fasteners (B)** to the fitting position. Loosen set screws, lift **Fixed Door Panel (D1)** into the **Fasteners (B)**, then tighten screws and cap covers.
2. Secure **Fasteners (B)** to the **Guide Rail (C)** with a hex key.

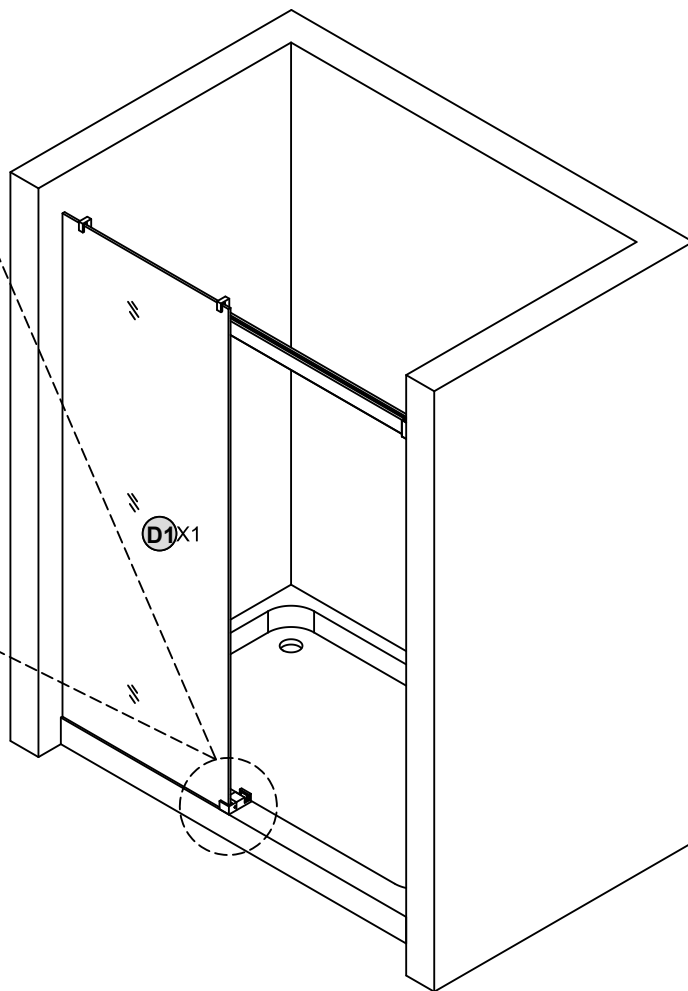
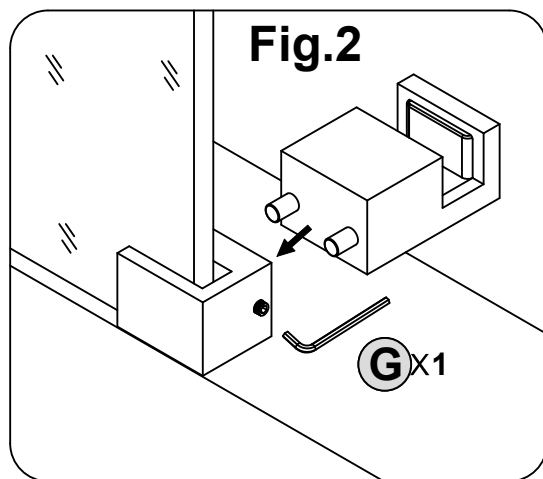
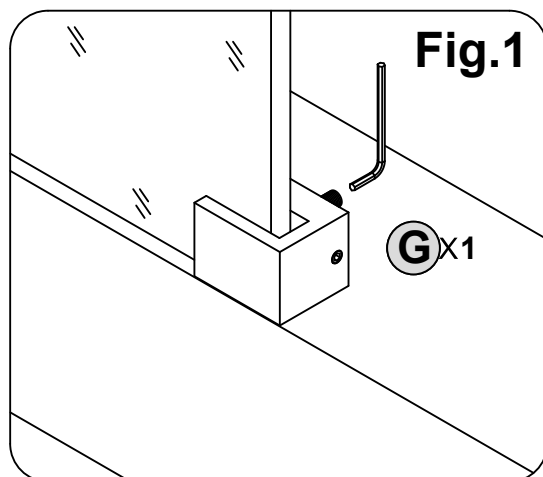
NOTE



6 Attach **Bottom Guide Block (G)**

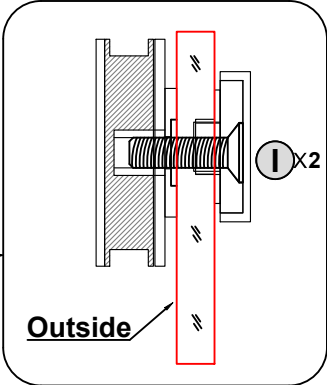
NOTE

1. Loosen set screws on **Bottom Guide Block (G)**. Separate its fixed and mobile sections. Attach the fixed section to **Fixed Door Panel (D1)** and tighten screws.
2. Insert the mobile section into the fixed slider and secure with screws.

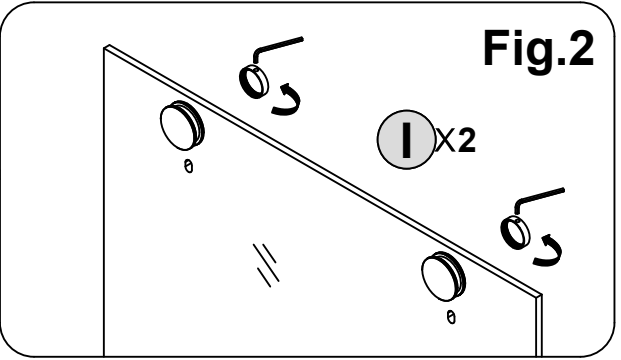
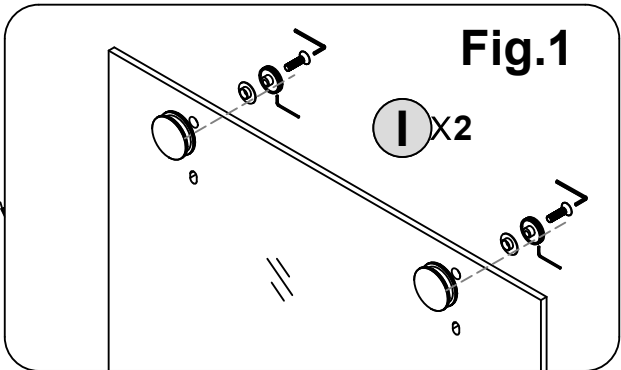
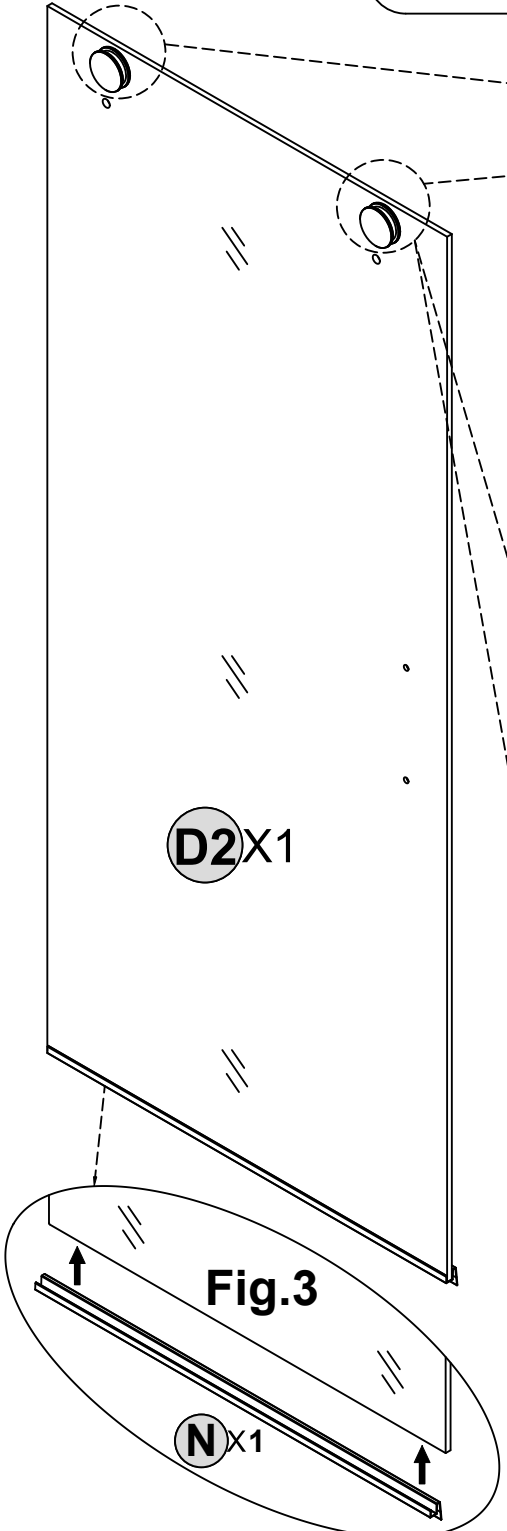


7 Mount **Rollers (I)** on **Sliding Door Panel (D2)**

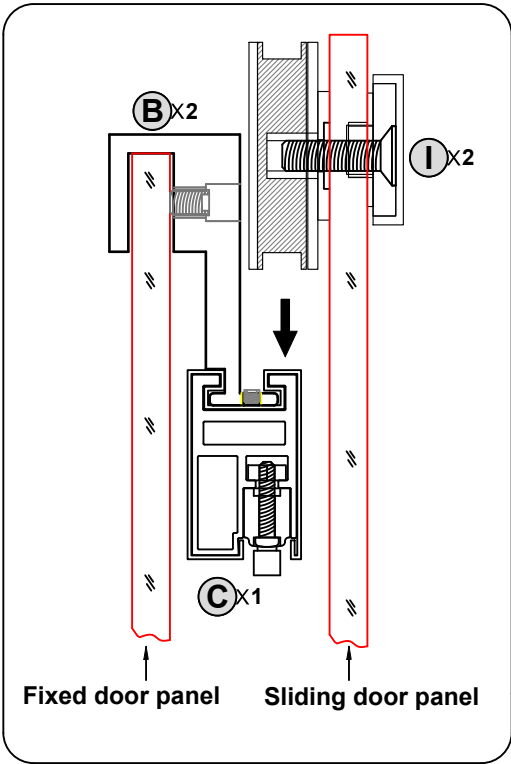
NOTE The roller faces outward



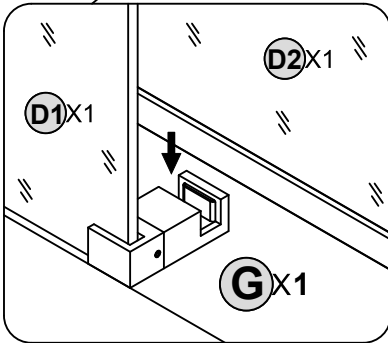
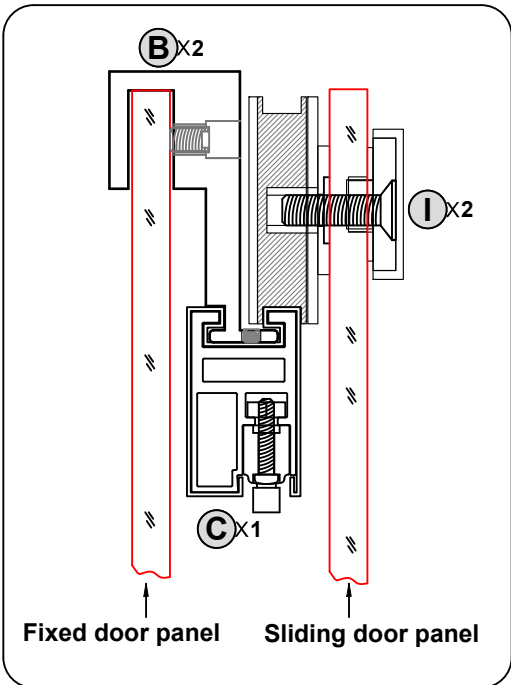
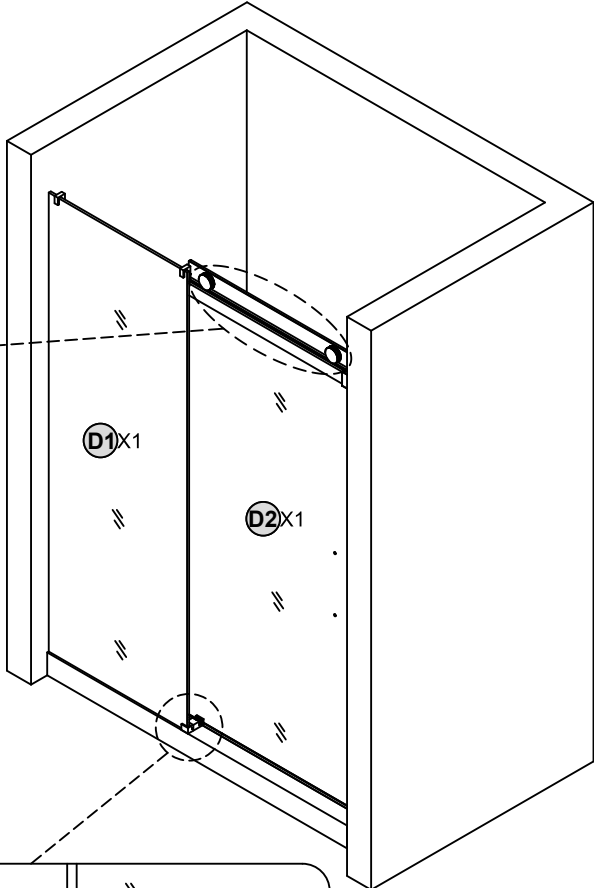
- 1. Press rubber sleeves and threaded inserts into **Sliding Door Panel (D2)** holes.
- 2. Secure **Rollers (I)** with countersunk screws and cap covers.
- 3. Attach the **Bottom Seal (N)** to the **Sliding Door Panel (D2)**.



8 Install **Sliding Door Panel (D2)**



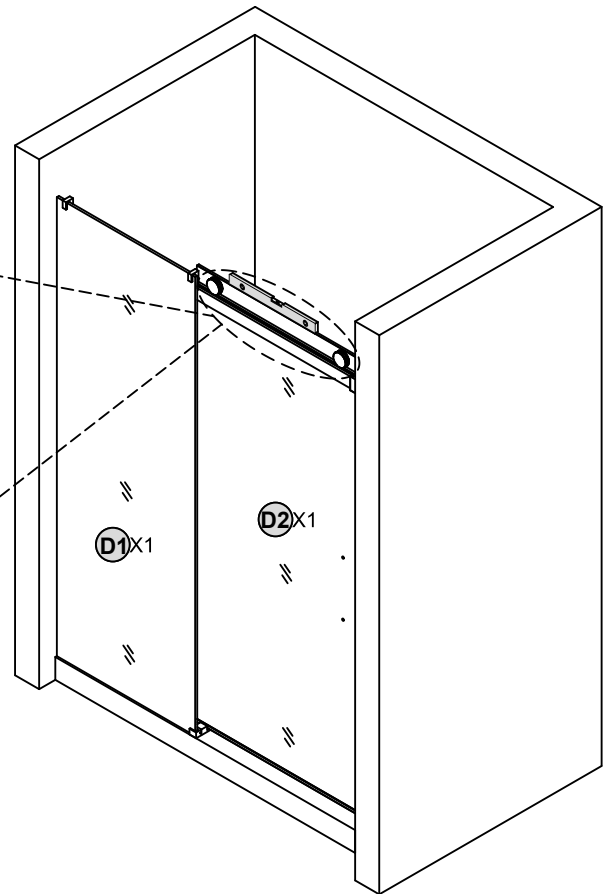
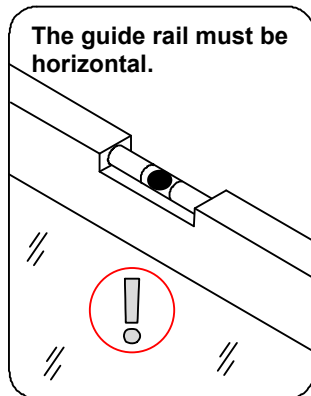
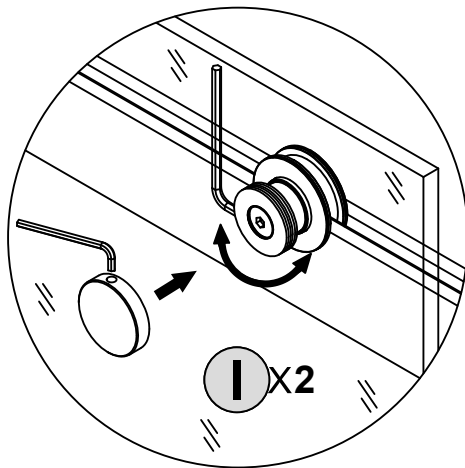
NOTE Lift **Sliding Door Panel (D2)** and align **Rollers (I)** into the **Guide Rail (C)**. Insert the panel's bottom edge into the **Bottom Guide Block (G)** track.



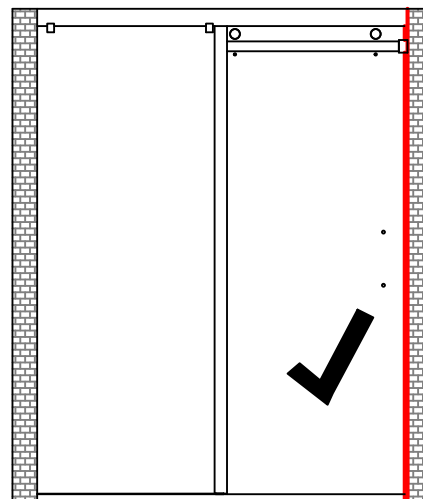
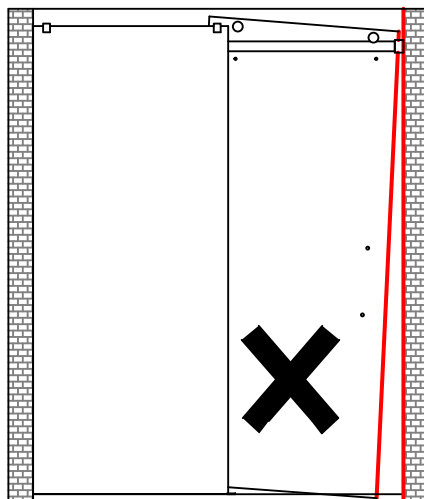
9 Adjust **Sliding Door Panel (D2)** height

NOTE

Adjust **Rollers(I)** to appropriate height, ensure that the **Sliding Door Panel (D2)** slides smoothly, and adjust the height of the wheels make the edge of the sliding door parallel to the wall to achieve the state of closing the door and sealing it, and then tighten the roller cover.

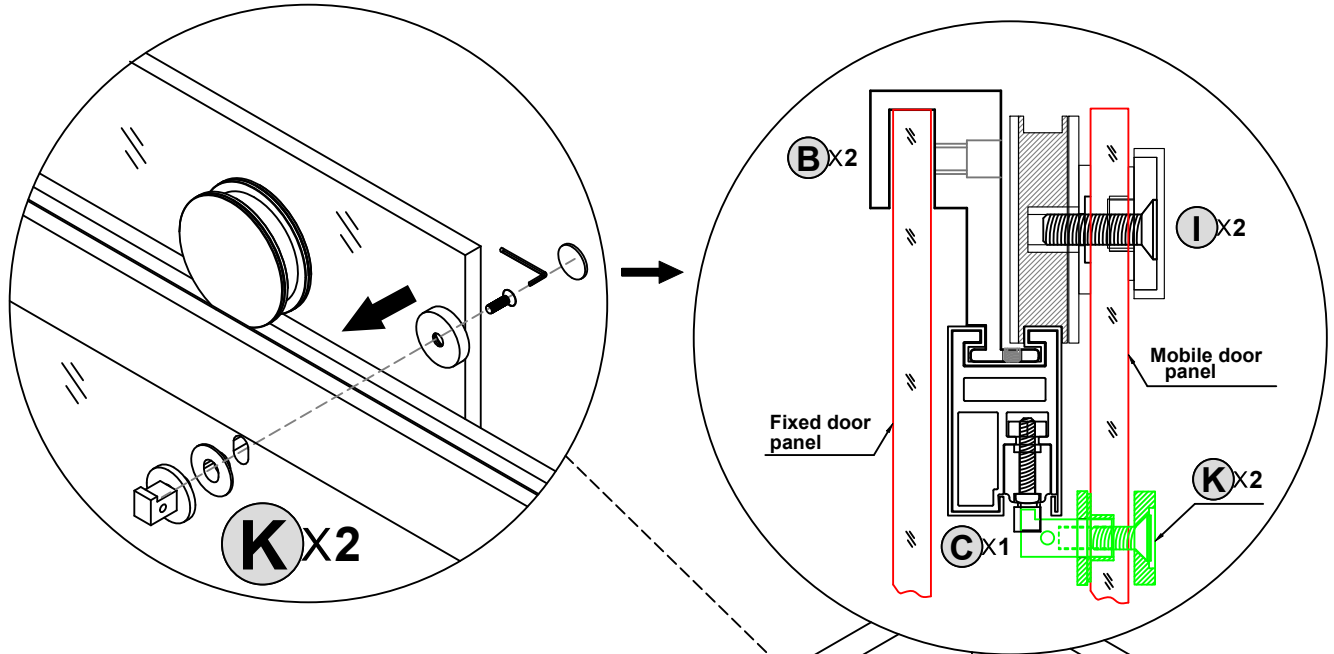


NOTE

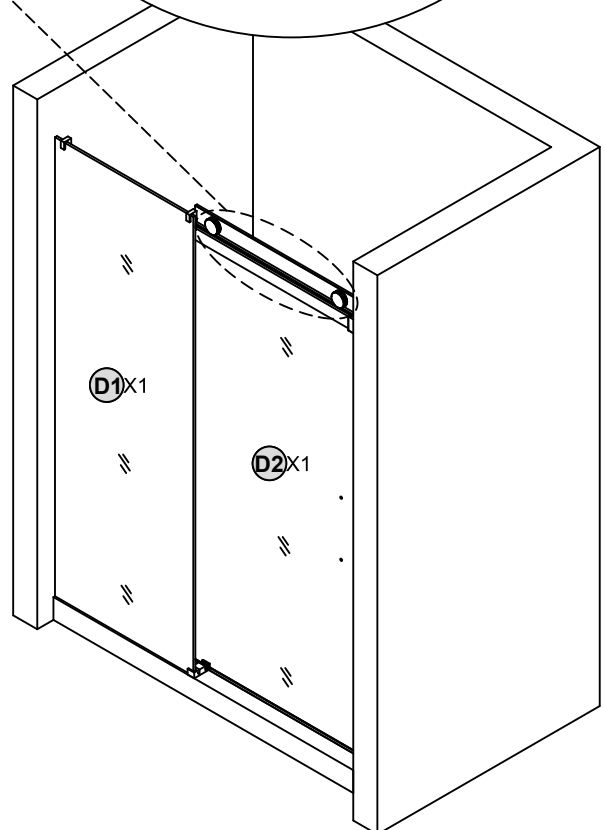
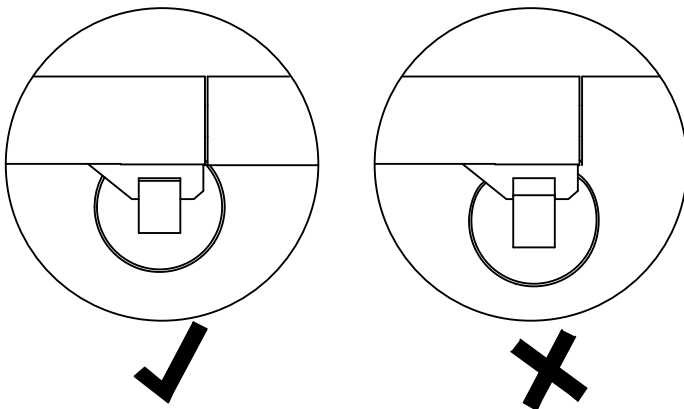


10 Install **Anti-Jump Knobs (K)**

NOTE Attach **Anti-Jump Knobs (K)** to both sides of **Sliding Door Panel (D2)**.



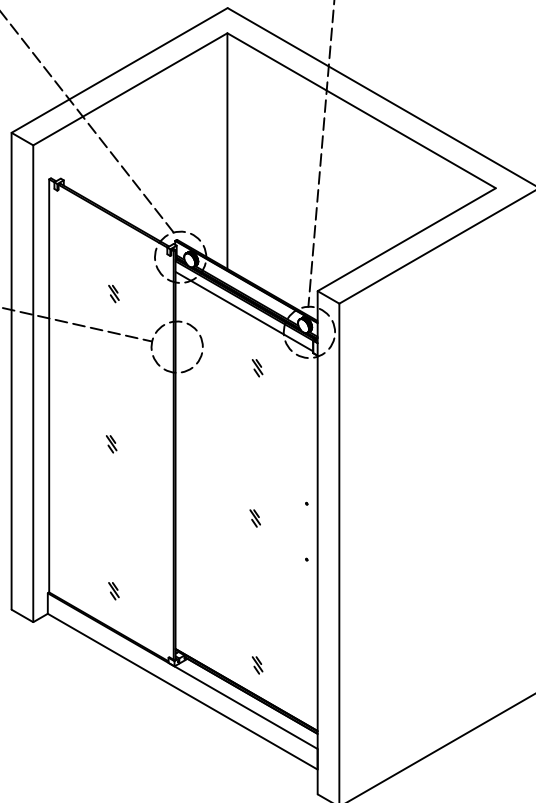
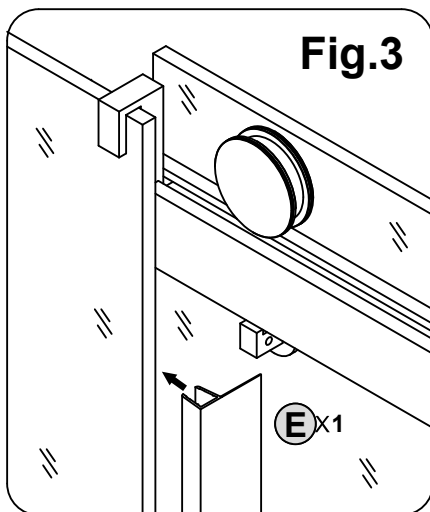
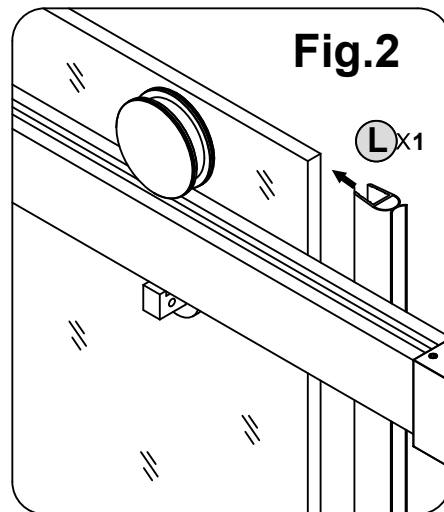
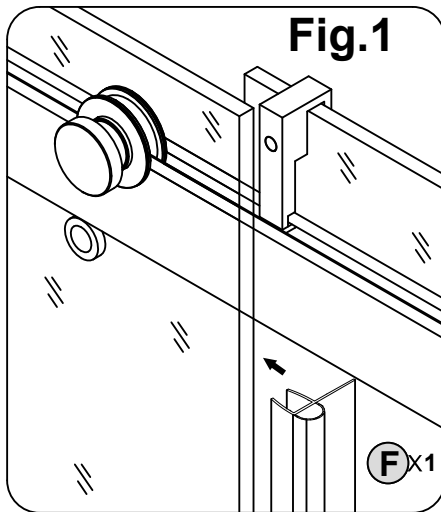
NOTE



11 Install **Seals (E, F, L)**

NOTE

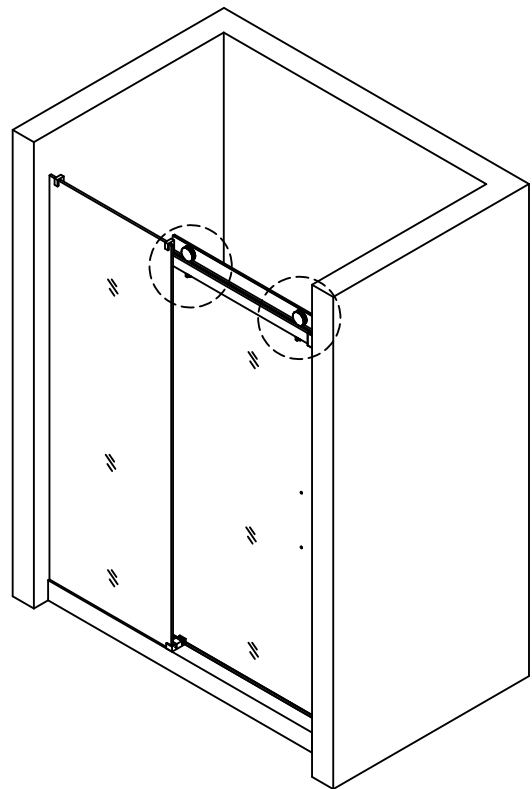
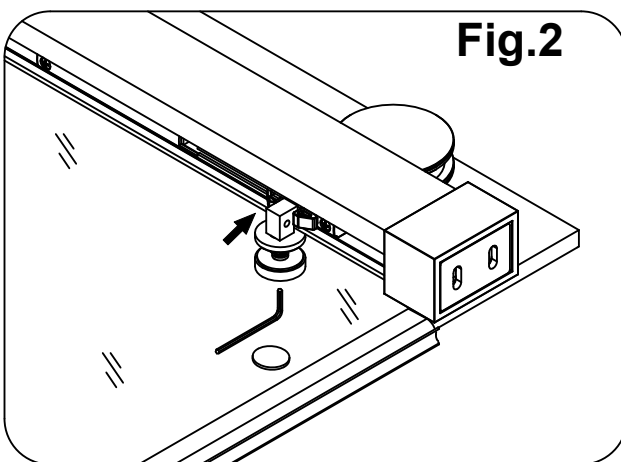
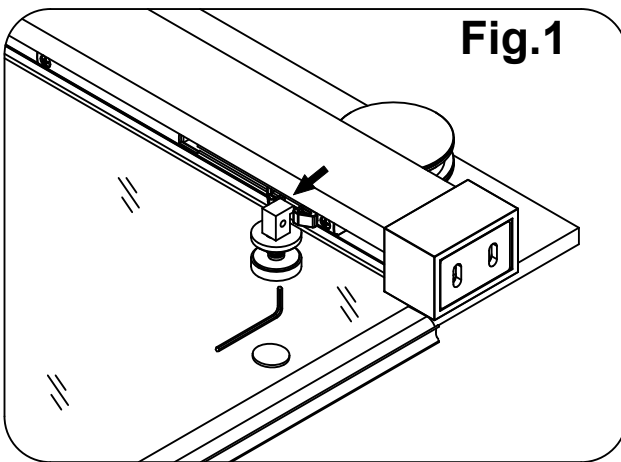
1. Attach **Door side Seal Strip (F)** and **Door side Bulb Seal Strip (L)** to **Sliding Door Panel (D2)**.
2. Install **Fixed side Seal Strip (E)** on **Fixed Door Panel (D1)**.



12 Adjust Anti-Jump Knobs (K)

NOTE

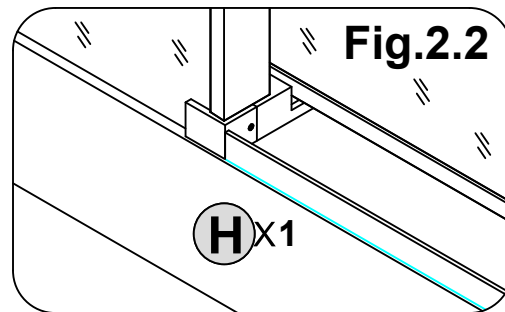
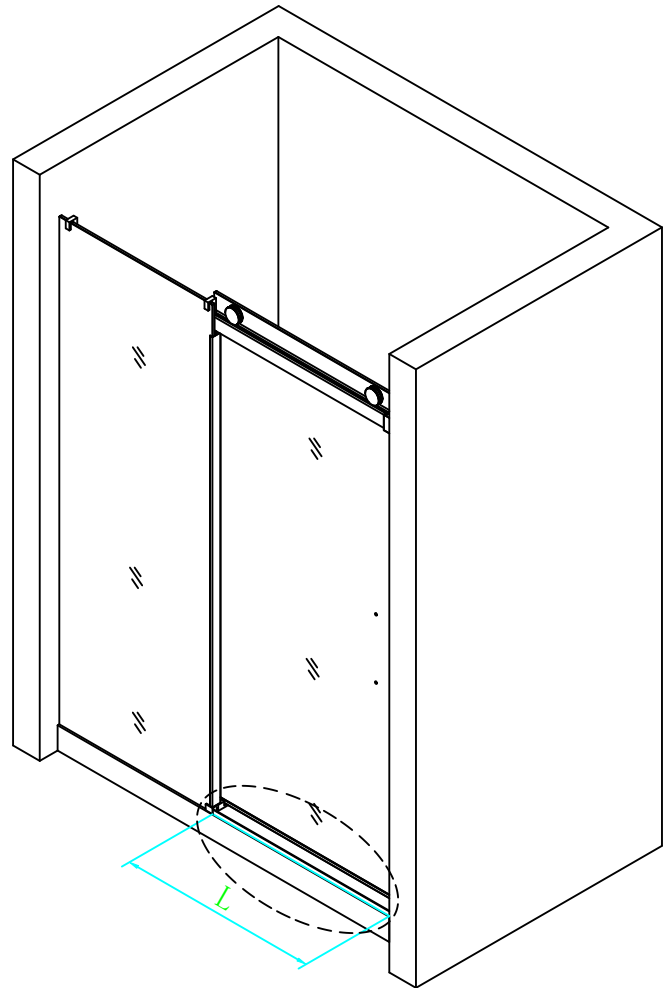
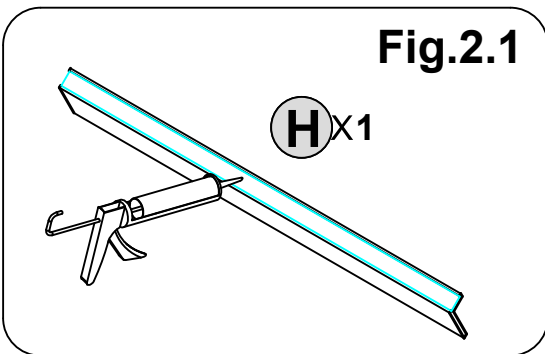
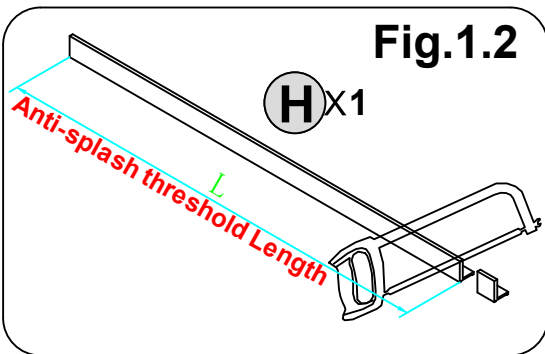
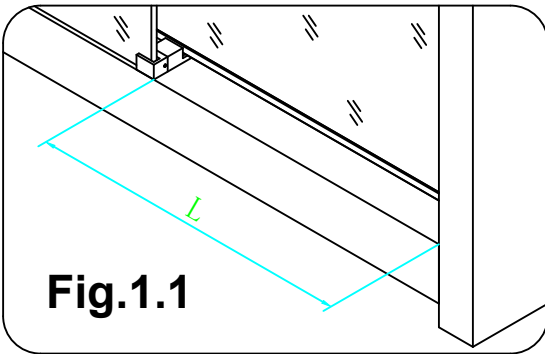
Adjust **Anti-Jump Knobs (K)** height: Loosen screws, adjust **Anti-Jump Knob (K)** height, then retighten.



13 Install Threshold Water Dam(H)

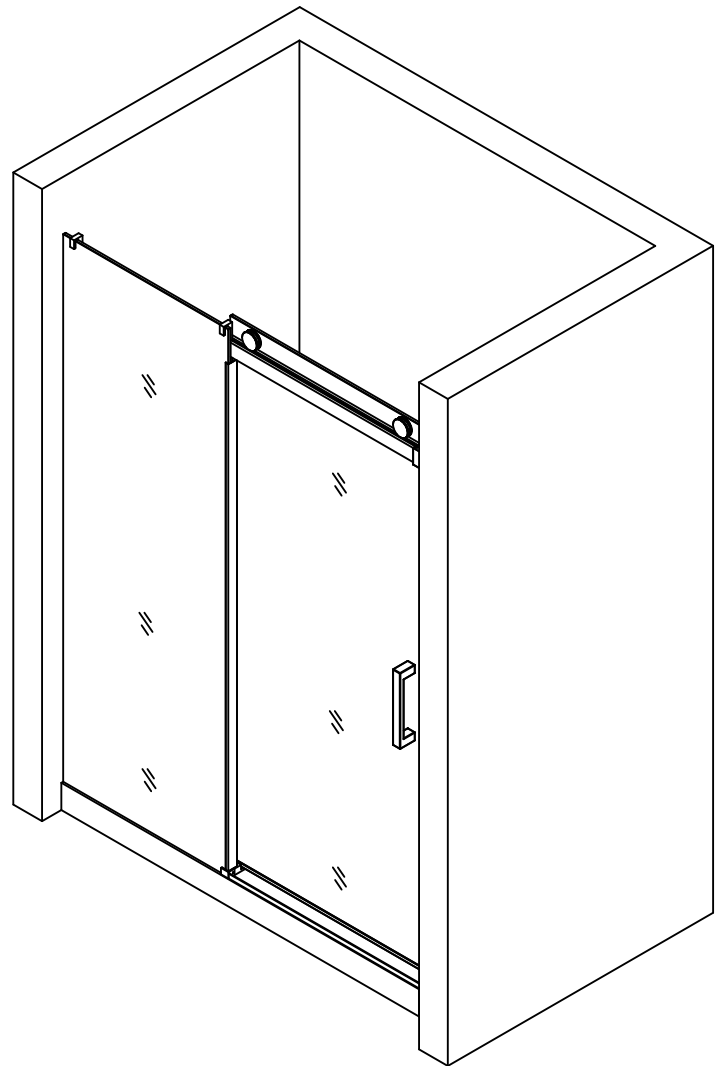
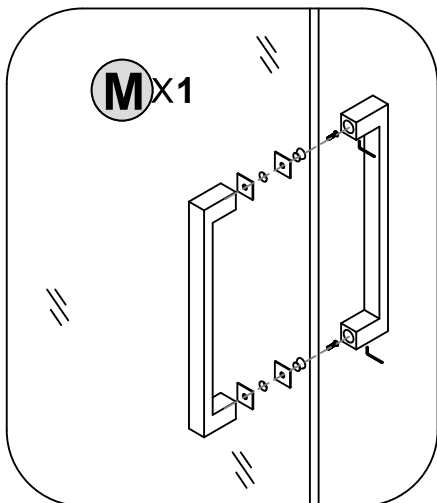
NOTE

1. Trim excess threshold length.
2. Apply silicone sealant to the **Threshold Water Dam(H)** base and align it with the **Bottom Guide Block (G)**.



14 Attach **Handle (M)****NOTE**

Install **Handle (M)** on **Sliding Door Panel (D2)**. Use all provided plastic ashers to protect the glass.



15 SEALING

NOTE The surfaces need to be clean and free of debris before applying silicone.

NOTE Make sure the shower door is tightly closed and opens smoothly. Apply high-quality asbestos sealant along the bottom of the fixed glass and the bottom of the lower water barrier.

! Allow 24 hours for the silicone to cure before using the shower.



! Apply Silicone Sealant, (not supplied).

Apply silicone around the fixed glass and the lower water barrier.

