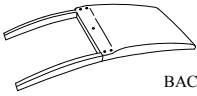
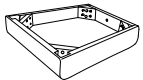

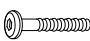
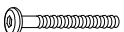
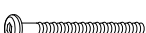



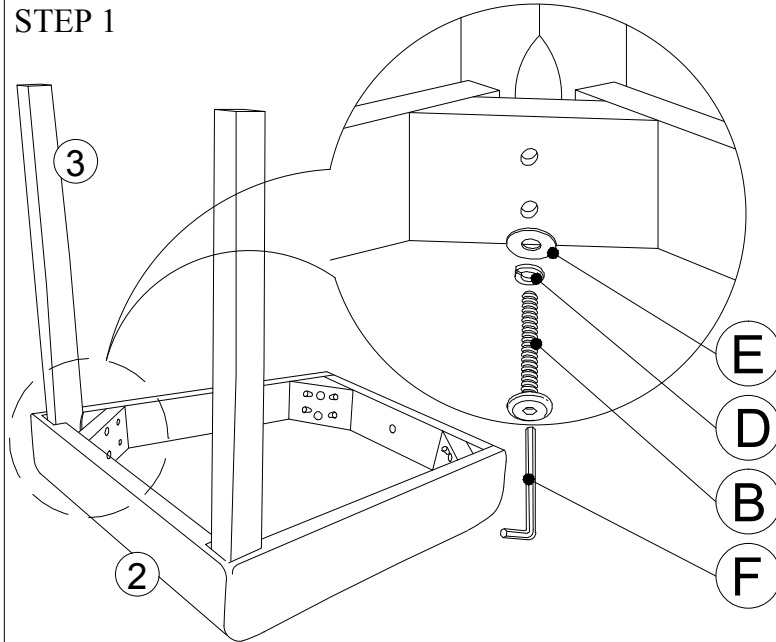


# ASSEMBLY INSTRUCTION

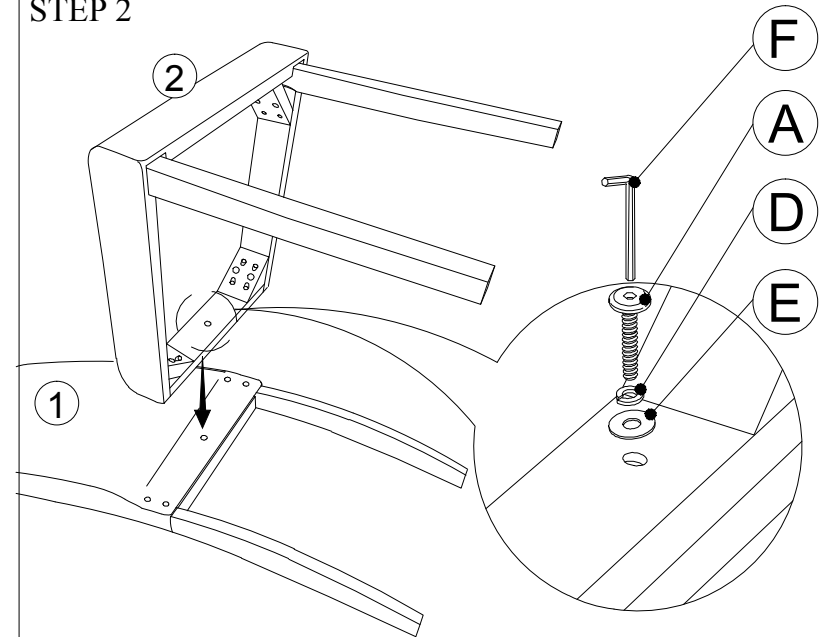
NO	PART LIST	QTY
1	 BACK REST	4PCS
2	 CUSHION SEAT	4PCS
3	 LEG	8PCS
NO	HARDWARE LIST	QTY
A	 JCBC SCREW M6 X 40mm	1PC
B	 JCBC SCREW M6 X 60mm	4PCS
C	 JCBC SCREWS M6 x 80mm	4PCS
D	 SPRING WASHER M6 x 13mm	9PCS
E	 FLAT WASHER M6 x 19mm	9PCS
F	 L - KEY M4 X 65mm	1PC

There are total FOUR (4) packs of hardware packs.  
Each hardware pack includes the hardware for  
One (1) chair.

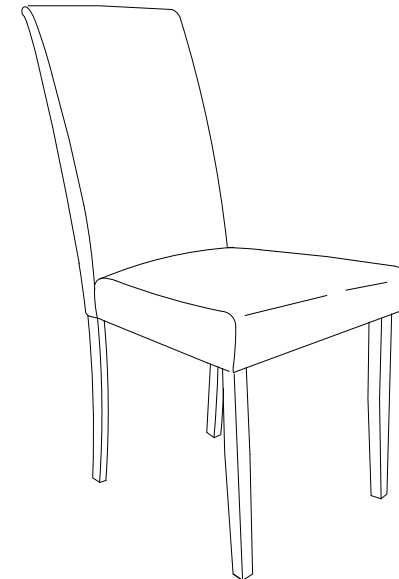
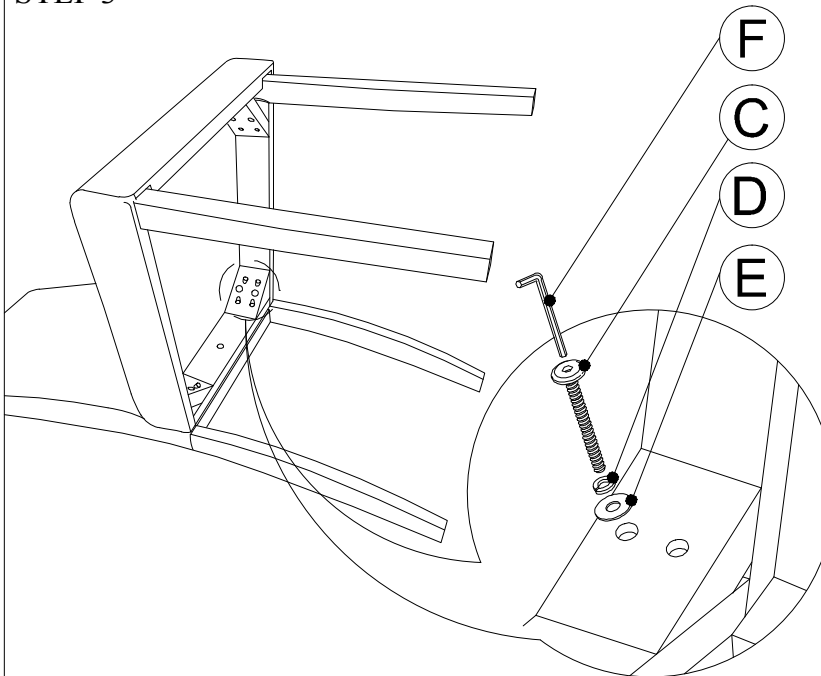
## STEP 1



## STEP 2



## STEP 3



ASSEMBLY  
COMPLETED