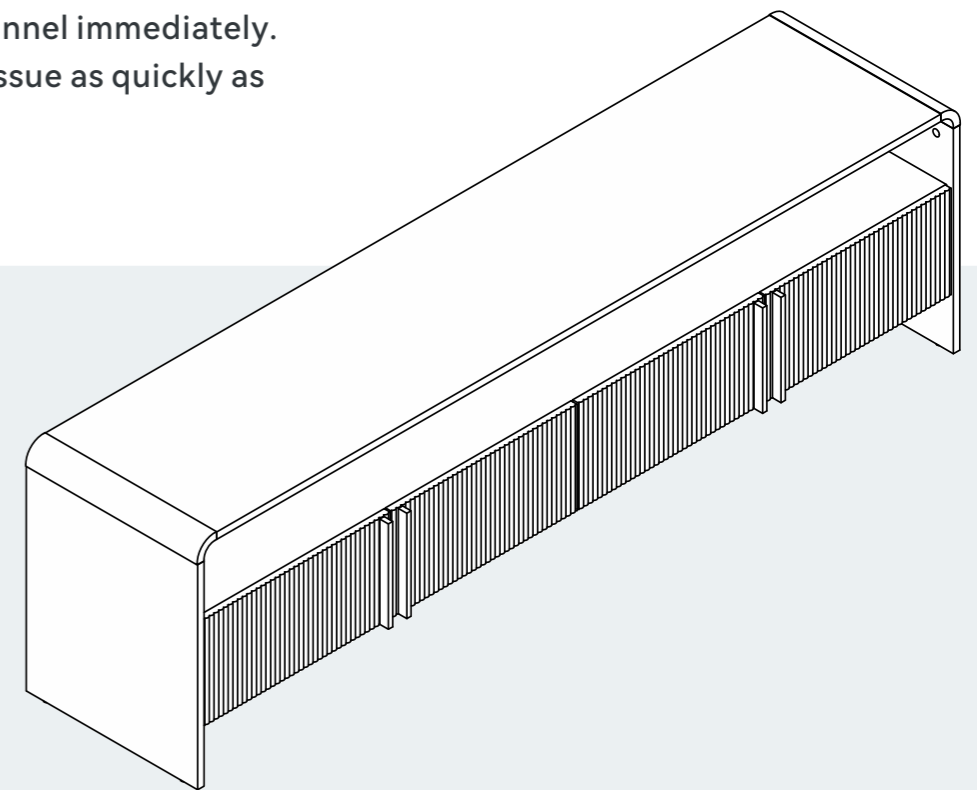


TV Stand

Assembly Instruction – Please keep properly for future reference.

If you find any missing boxes, damaged parts, or accessory shortages, please contact the customer service team of your purchasing channel immediately. We will resolve the issue as quickly as possible.



CONTACT US

- In order to receive assistance more quickly, please provide

THE FOLLOWING INFORMATION:

- Order number
- Purchase platform
- Purchase date
- Detailed description of the issue along with photos (if applicable)

Important – Please read these instructions carefully before starting the installation.

|TV Stand

V1.0

EN

Before Assembly



Thank you for choosing our product!

To ensure a smooth installation process, please read this guide carefully to familiarize yourself with the required tools, materials, and installation steps.

Follow the relevant sections to avoid any damage caused by improper installation, and make sure to review all operation and safety guidelines for correct installation procedures.

Packaging Notice:

If you find any missing boxes, damaged parts, or accessory shortages, please contact the customer service team of your purchasing channel immediately. We will resolve the issue as quickly as possible.

Safety and Care Advice



Important :

Please read these instructions fully before starting assembly.

- Check you have all the components and tools listed on the following pages.
- Remove all fittings from the plastic bags and separate them into their groups.
- Keep children and animals away from the work area, small parts could choke if swallowed.
- Make sure you have enough space to layout the parts before starting.
- During assembly do not stand or put weight on the product, this could cause damage.
- Assemble the item as close to its final position (in the same room) as possible.
- Assemble on a soft level surface to avoid damaging the unit or your floor.
- Parts of the assembly will be easier with 2 people.



- To reduce the likelihood of damaging your product please ensure that your power drill is set on a low torque setting.

Care and Maintenance

- Only clean using a damp cloth and mild detergent, do not use bleach or abrasive cleaners.
- From time to time check that there are no loose screws on this unit.
- This product should not be discarded with household waste. Take to your local authority waste disposal center.

Handy Hints

- Assemble all parts and bolts loosely during assembly, only once the product is complete should you fully tighten the bolts.
- Regularly check and ensure that all bolts and fittings are tightened properly.

Warning

In order to help prevent overturning, please follow these instructions.

- Use the anti tip strap or wall fixing method provided (if applicable).
- Do not allow children to climb or hang on the furniture.
- Do not open more than one drawer at a time.
- Do not place heavy items in the top drawers.
- Do not place heavy items on top of the furniture, unless the furniture has been designed for this purpose.
- Please note that only the anti tip strap is provided. You will need to provide wall plugs and screws applicable for your wall type.

Customer Service Guide



Thank you for choosing our product! We are committed to providing you with excellent service. If you find any missing parts, damaged packaging, or product damage after receiving all packages, please follow the steps below to quickly contact our customer service team. We will do our best to resolve your issue.

1. Missing Parts

Verify Parts:

1. Refer to the “Parts List” in the manual to verify the name, specifications, and quantity of the missing parts.
2. Take a clear photo of the parts list and mark the missing parts with detailed information, e.g., “Missing 5 pieces of M6×30mm screws.”

Contact Us:

By Email:

Send an email with the subject line “Missing Parts Issue.” Include the following in the email:

- A description of the missing parts and a photo of the parts list.
- Order details (order number, purchase platform, purchase date).

2. Product or Packaging Damage

If it affects normal use:

Steps:

1. Take clear photos or videos showing the damaged parts and the extent of the damage (multi-angle shots are recommended).
2. Email the photos/videos along with order details with the subject line “Product Damage Issue.”

Resolution:

After verification, we will arrange for a replacement part, product exchange, or refund as quickly as possible.

If it does not affect normal use:

Steps:

1. Contact our customer service team.
2. Provide a description of the damage and include relevant photos or videos.

Resolution:

We will provide repair guidance or an appropriate compensation plan based on the specific situation.

Helpful Tips

To process your issue efficiently, please prepare the following information:

- Order details (order number, purchase platform, purchase date).
- Clear photos or videos.
- We are committed to providing quick and professional solutions, no matter the size of the issue, to ensure your satisfaction.

Thank you for your trust and support!
We hope you enjoy using our product!

Parts List - Panels



Please check you have all the panels listed below.

1 1690x400x15mm x1	2 455x400x15mm x1	3 455x400x15mm x1
4 400x64x27mm x2	5 150x200x15mm x1	6 150x200x15mm x1
7 1748x384x15mm x1	8 183x383x15mm x1	9 1748x384x15mm x1
10 1748x120x15mm x1	11 433x215x15mm x3	12 439x159x3mm x2
13 866x159x3mm x1	14 875.5x192x3mm x2	15 433x215x15mm x1

Parts List - Fittings



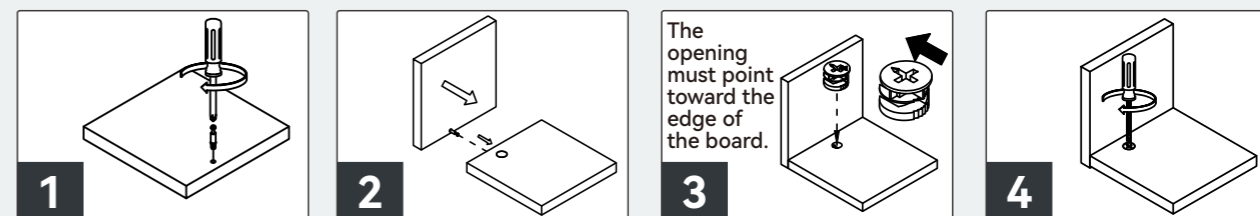
Please check you have all the fittings listed below.

Note: The quantities below are the correct amount to complete the assembly. In some cases more fittings may be supplied are required.

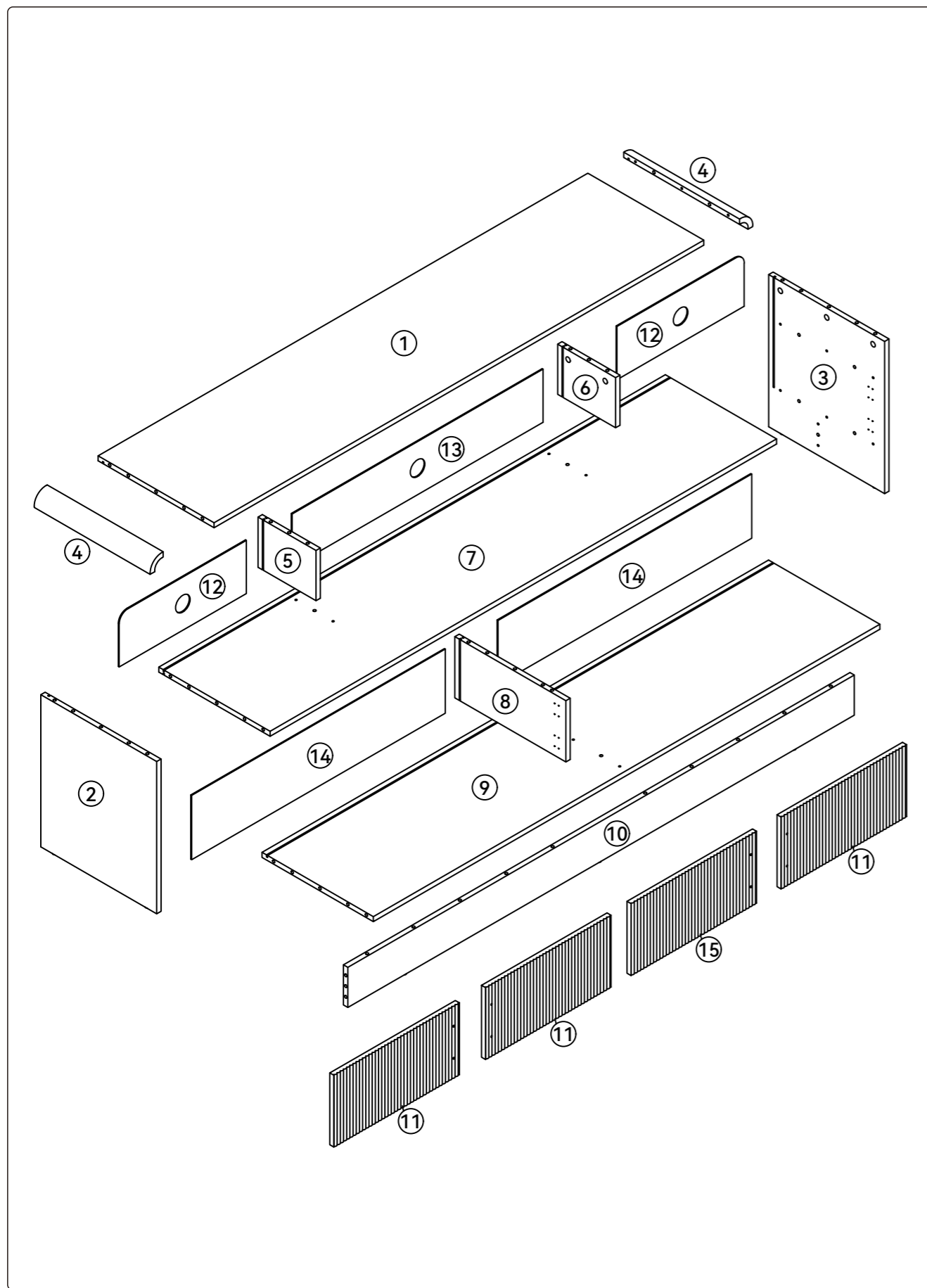
A Ø15*9.5 x41+3	B Ø6.5*35 x41+3	C Ø8*30 x30+3
D Ø3.5*12 x48+3	E Ø4*35 x7+1	F Ø35 x4
G Ø35 x4	H Ø3*14 x19+1	I Ø21 x38+3
J 70*30*5 x1	K x2 set	L 213*20*10 x4
M Ø4*25 x8+1		

Cam Lock Fastening System

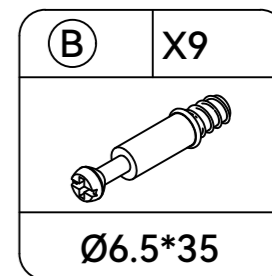
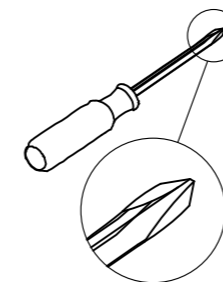
Insert the cam bolt into the hole first, then insert the cam lock and lock it.



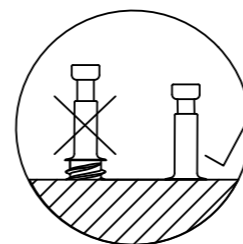
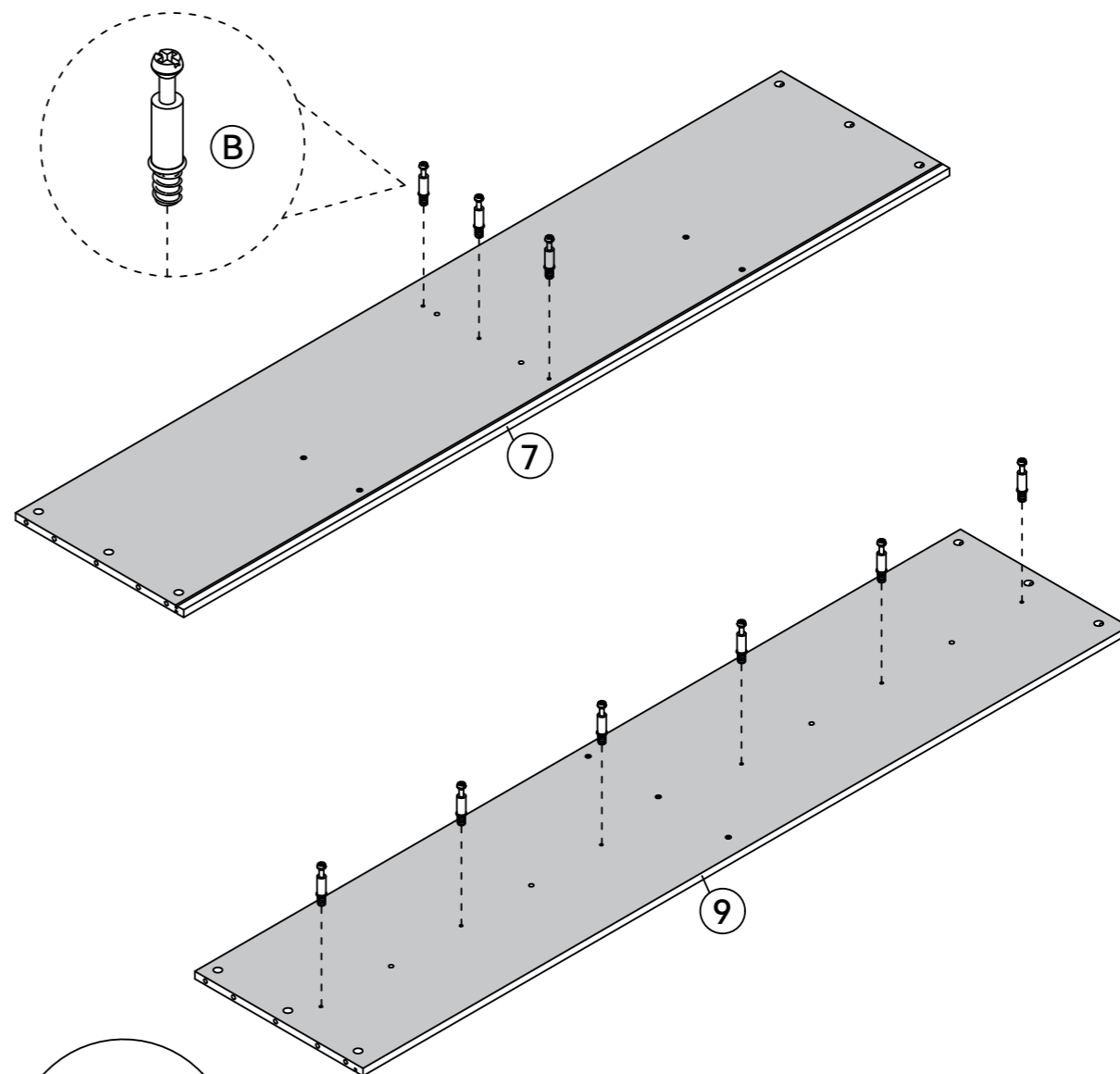
Assembly Instructions



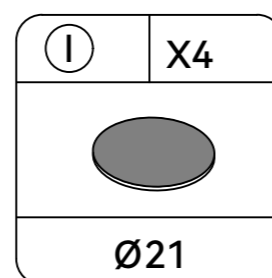
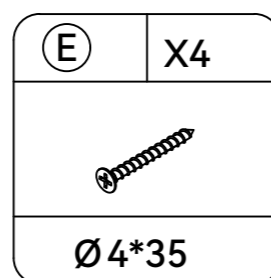
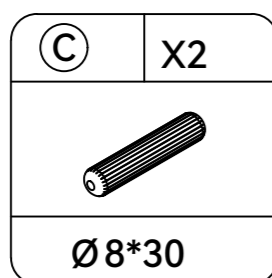
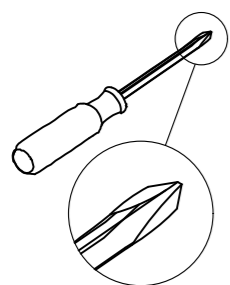
Step 1



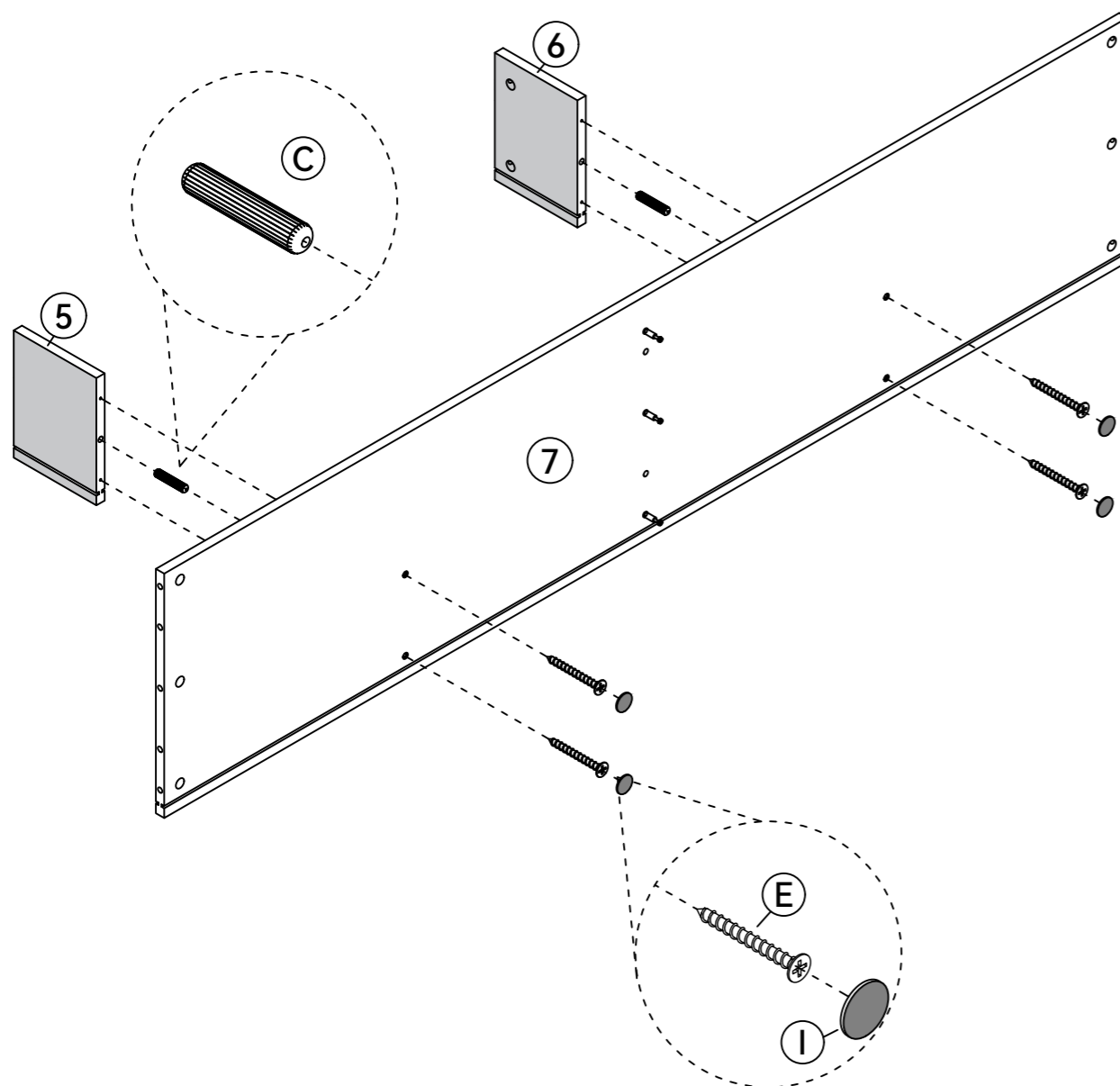
Fix accessory (B) onto panels (7) and (9).



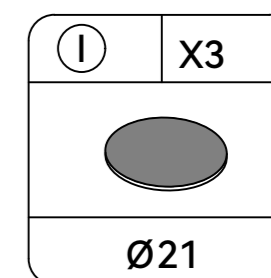
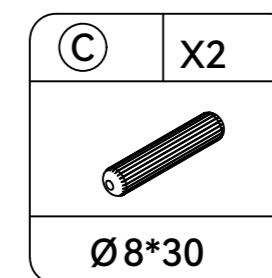
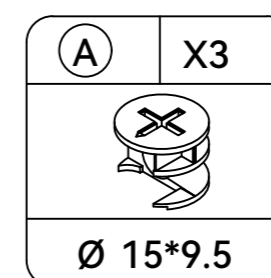
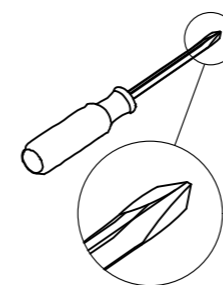
Step 2



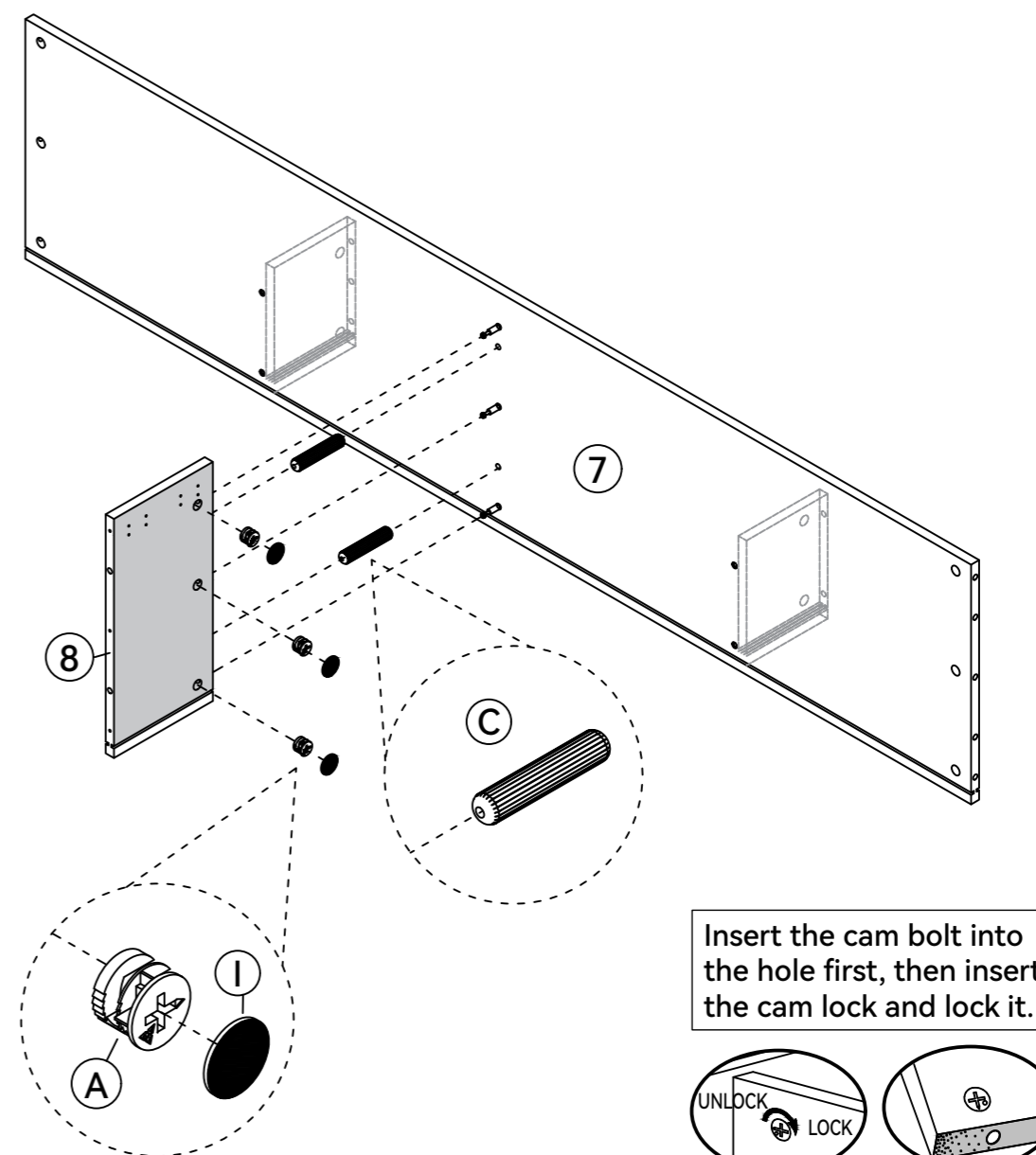
Insert accessory (C) into the holes of panels (5) and (6). Use screw (E) to fasten through panel (7), then cover the hole with accessory (I).



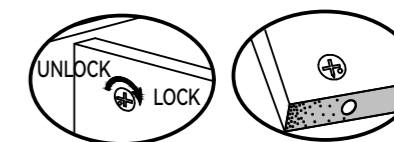
Step 3



Insert accessory (C) into the hole of panel (8) to connect with panel (7). Secure with accessory (A), then cover the hole with accessory (I).

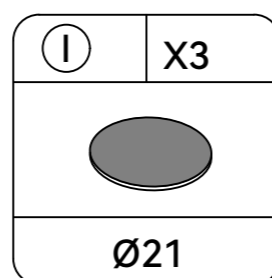
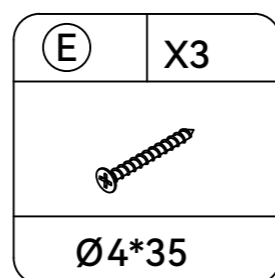
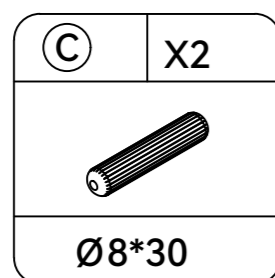
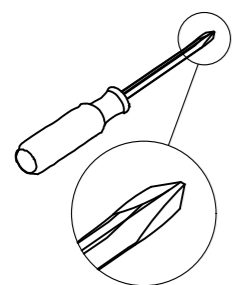


Insert the cam bolt into the hole first, then insert the cam lock and lock it.

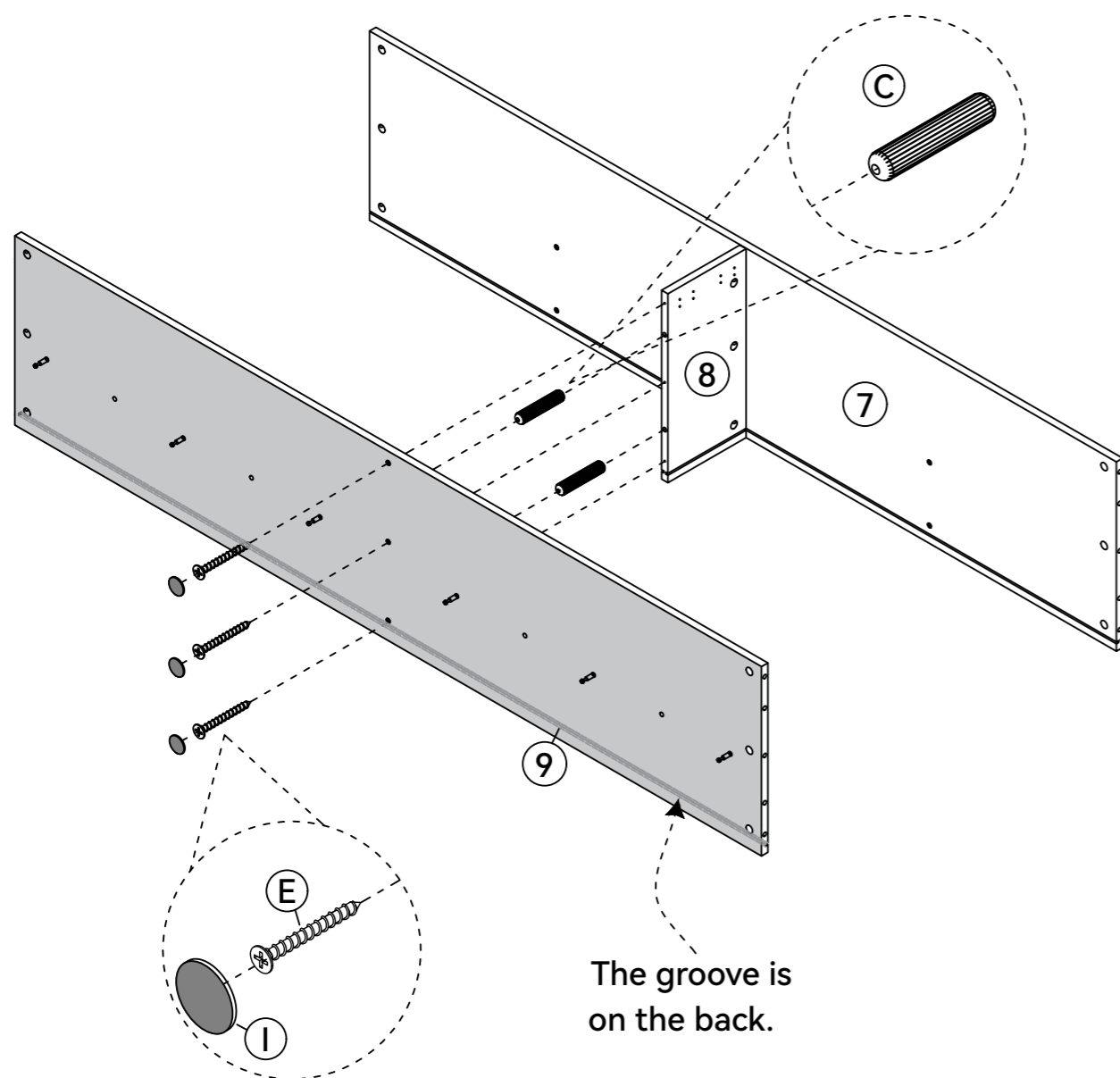


Proper orientation of CAM LOCK

Step 4

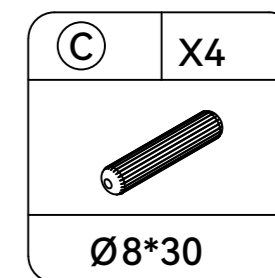
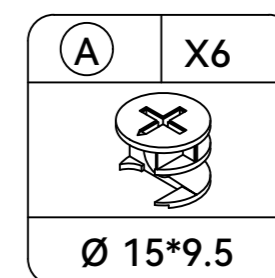
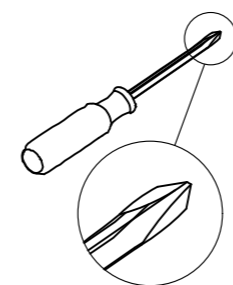


Insert accessory (C) into the hole of panel (8). Use screw (E) to fasten through panel (9), then cover the hole with accessory (I).

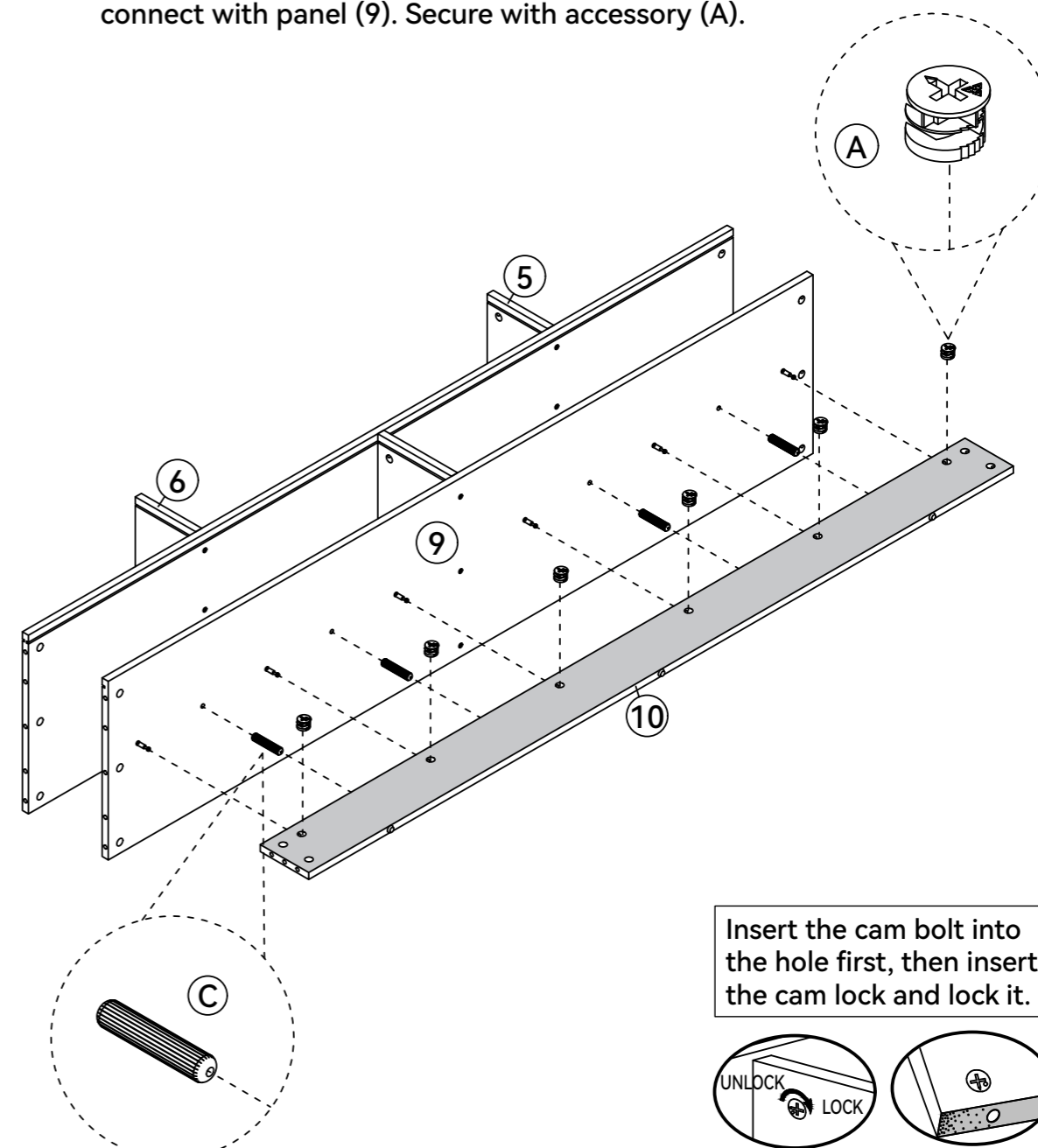


The groove is on the back.

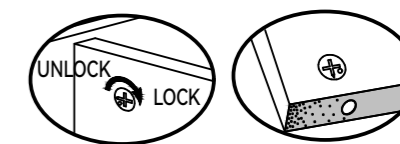
Step 5



Insert accessory (C) into the hole of panel (10) to connect with panel (9). Secure with accessory (A).

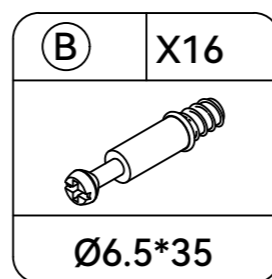
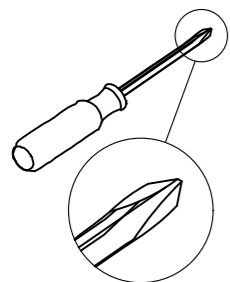


Insert the cam bolt into the hole first, then insert the cam lock and lock it.

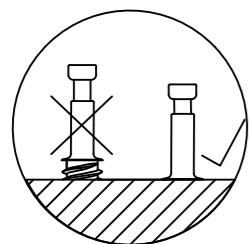
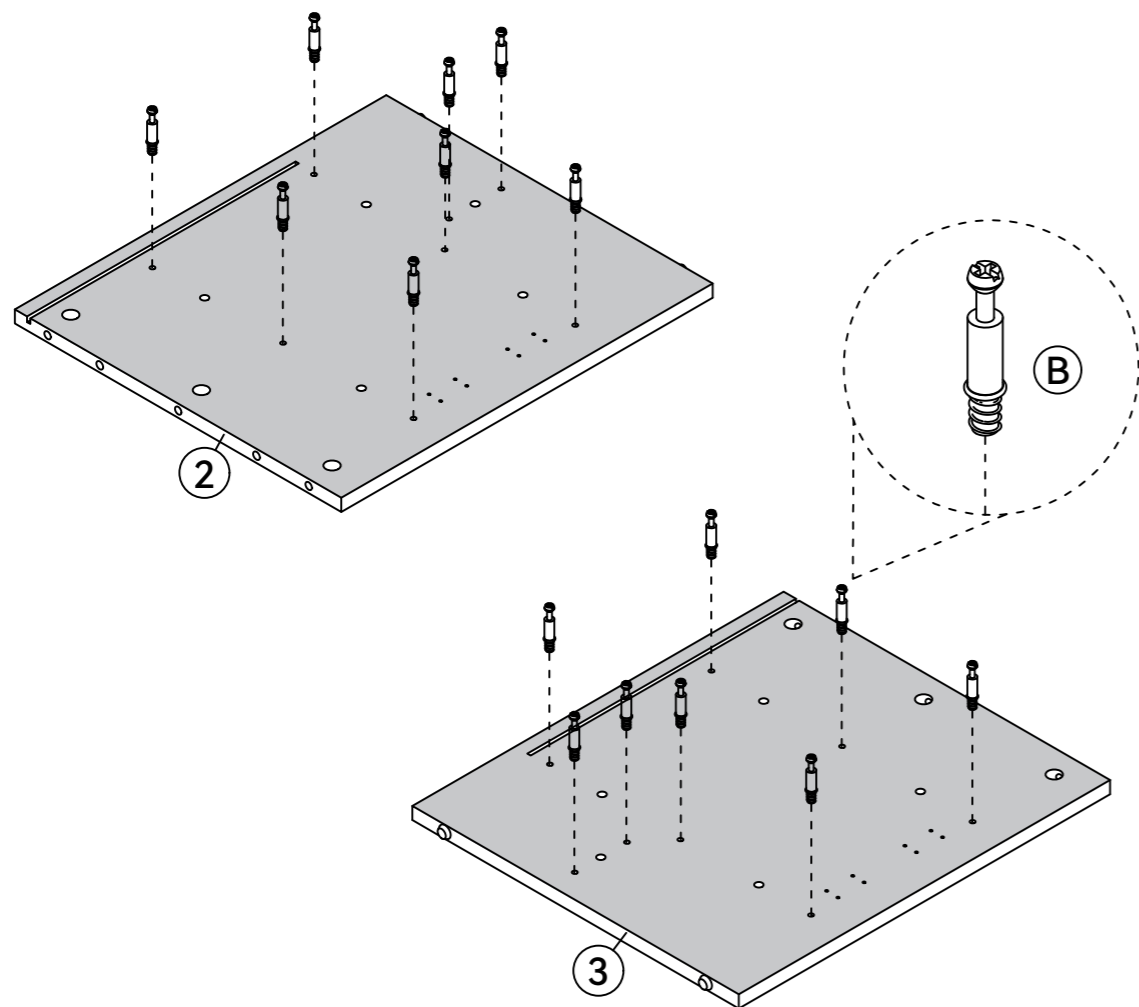


Proper orientation of CAM LOCK

Step 6

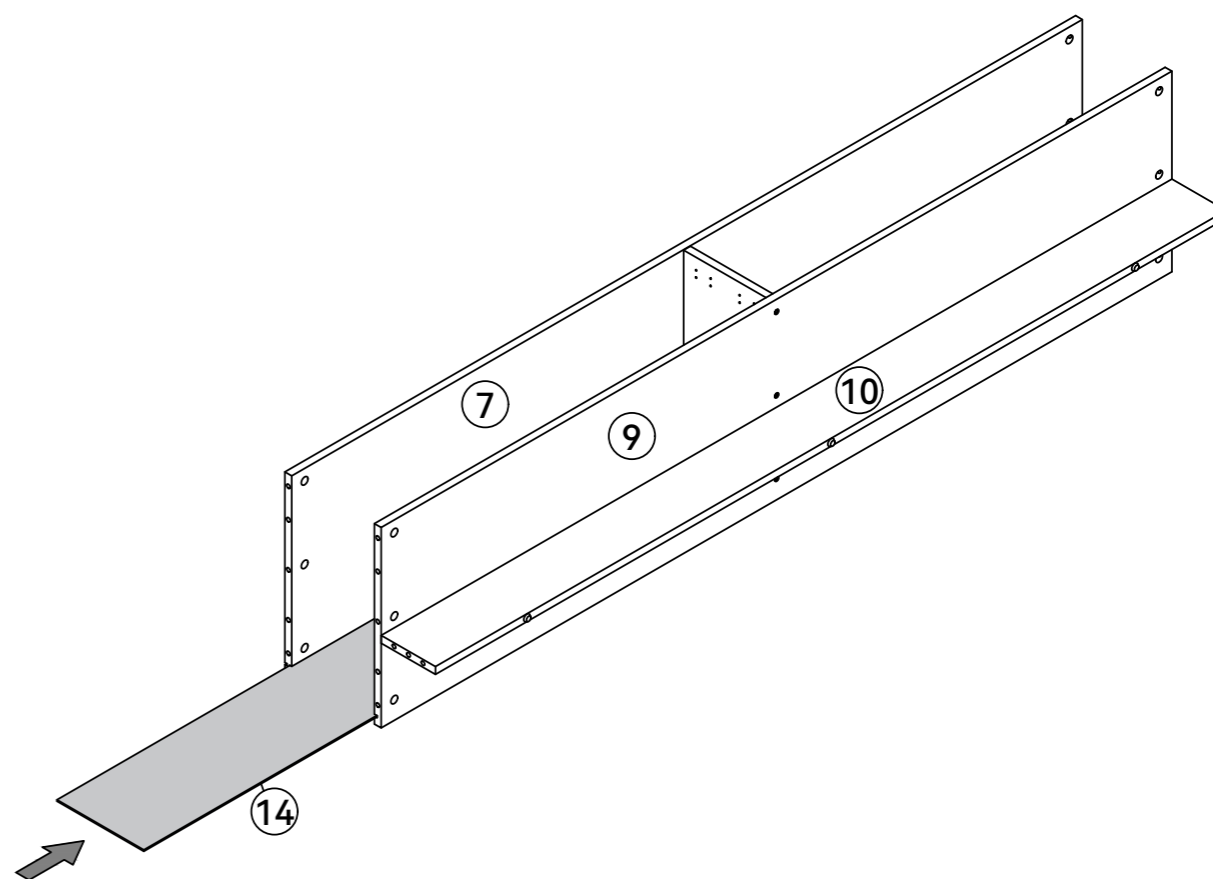


Fix accessory (B) onto panels (2) and (3).

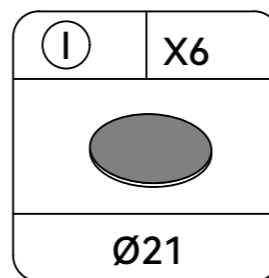
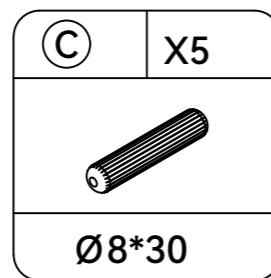
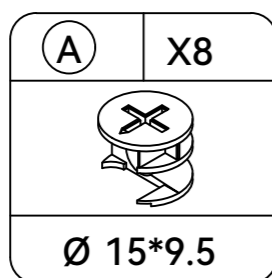
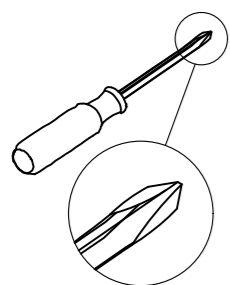


Step 7

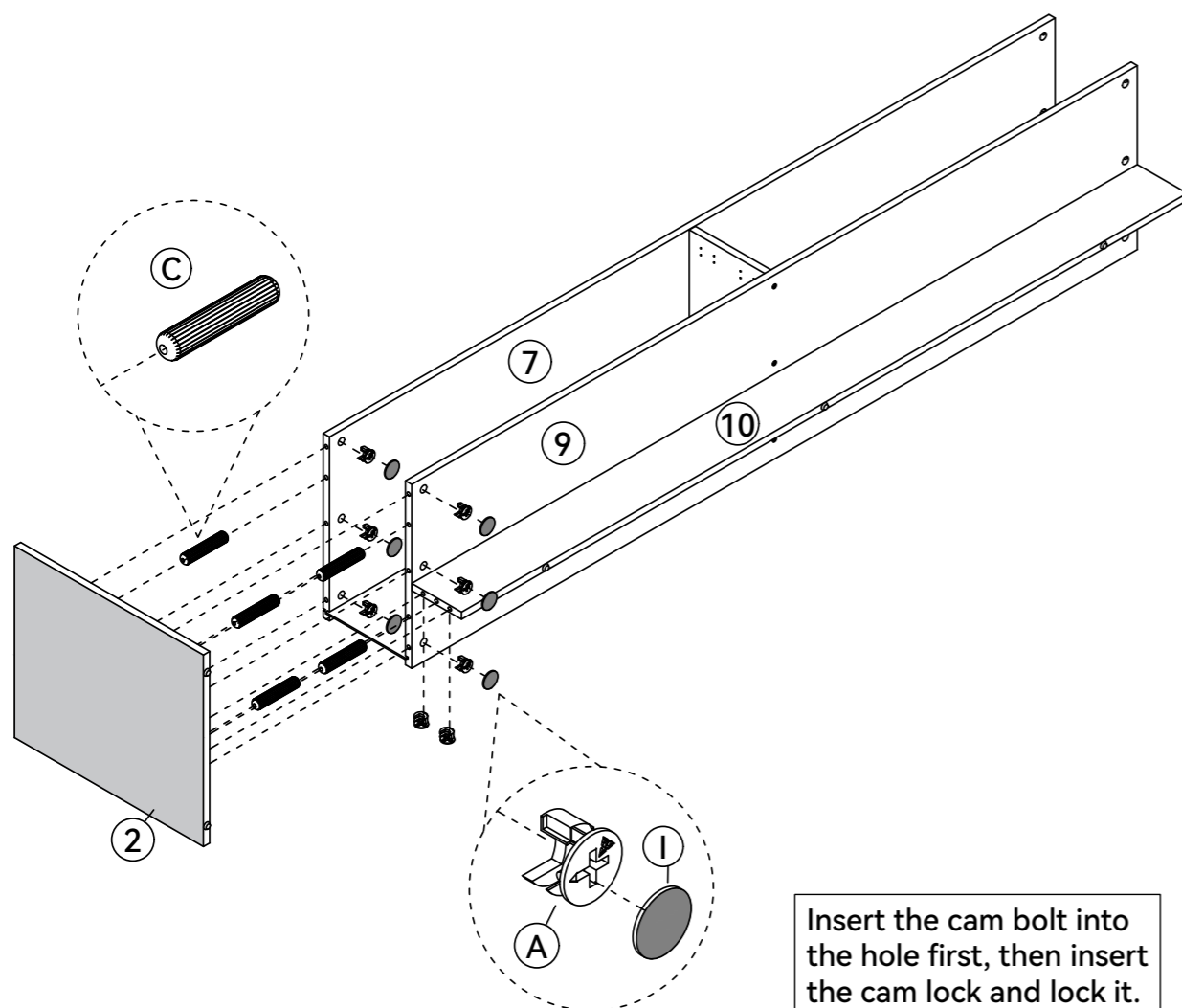
Slide panel (14) along the grooves of panels (7) and (9).



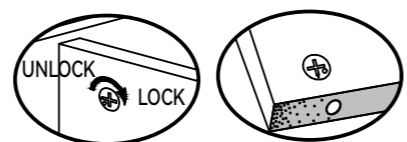
Step 8



Insert accessory (C) into the holes of panels (7) and (9). Connect with panel (2), secure with accessory (A), then cover the hole with accessory (I).



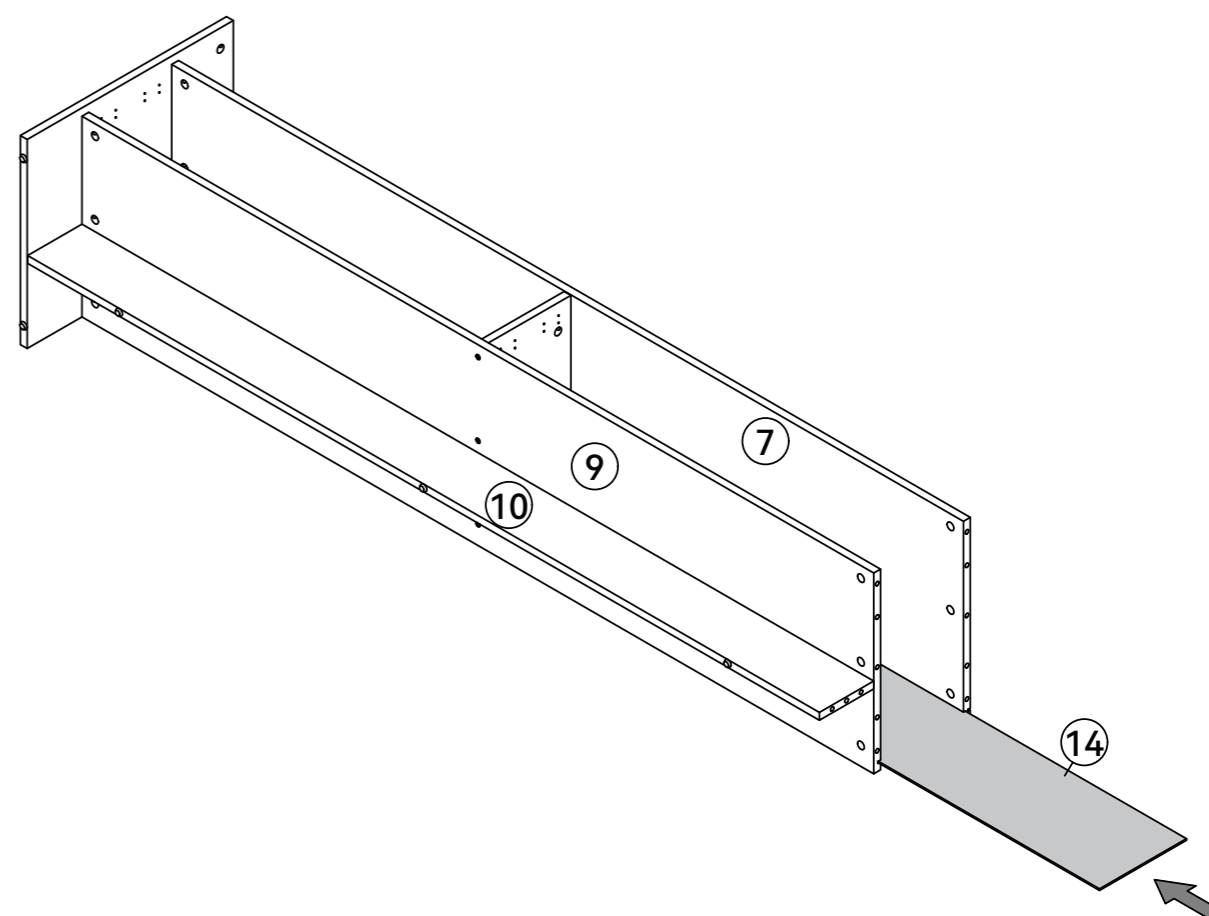
Insert the cam bolt into the hole first, then insert the cam lock and lock it.



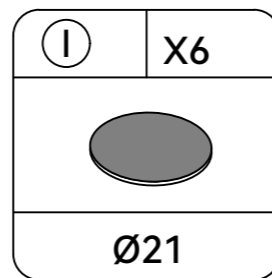
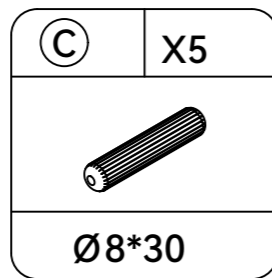
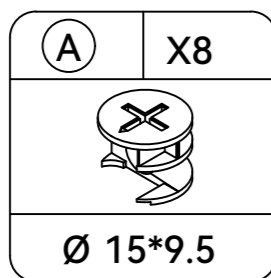
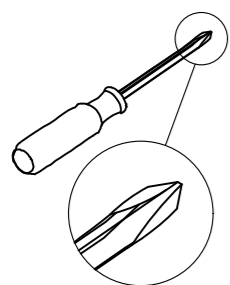
Proper orientation of CAM LOCK

Step 9

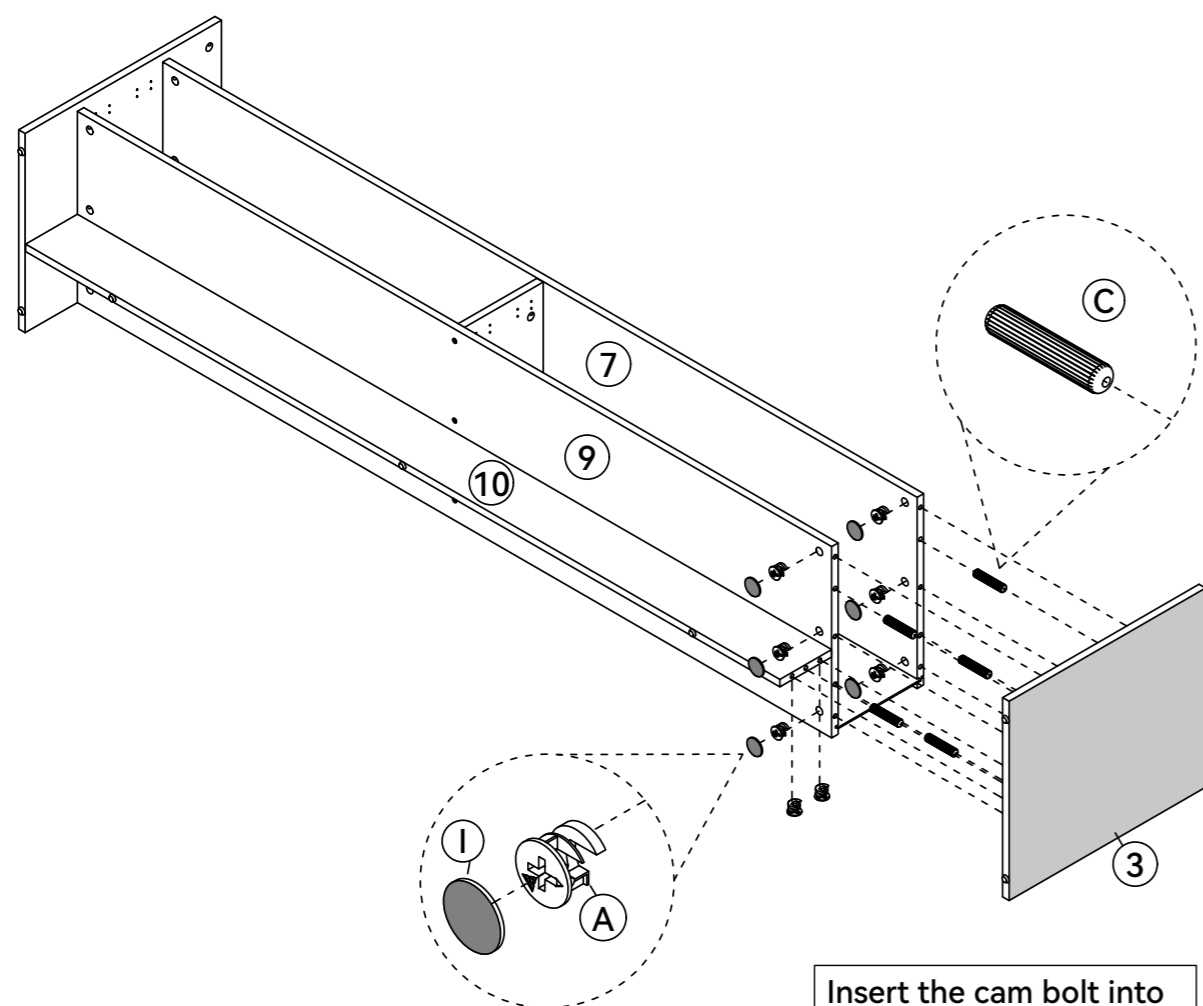
Slide panel (14) along the grooves of panels (7) and (9).



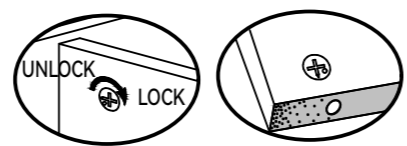
Step 10



Insert accessory (C) into the holes of panels (7) and (9). Connect with panel (3), secure with accessory (A), then cover the hole with accessory (I).



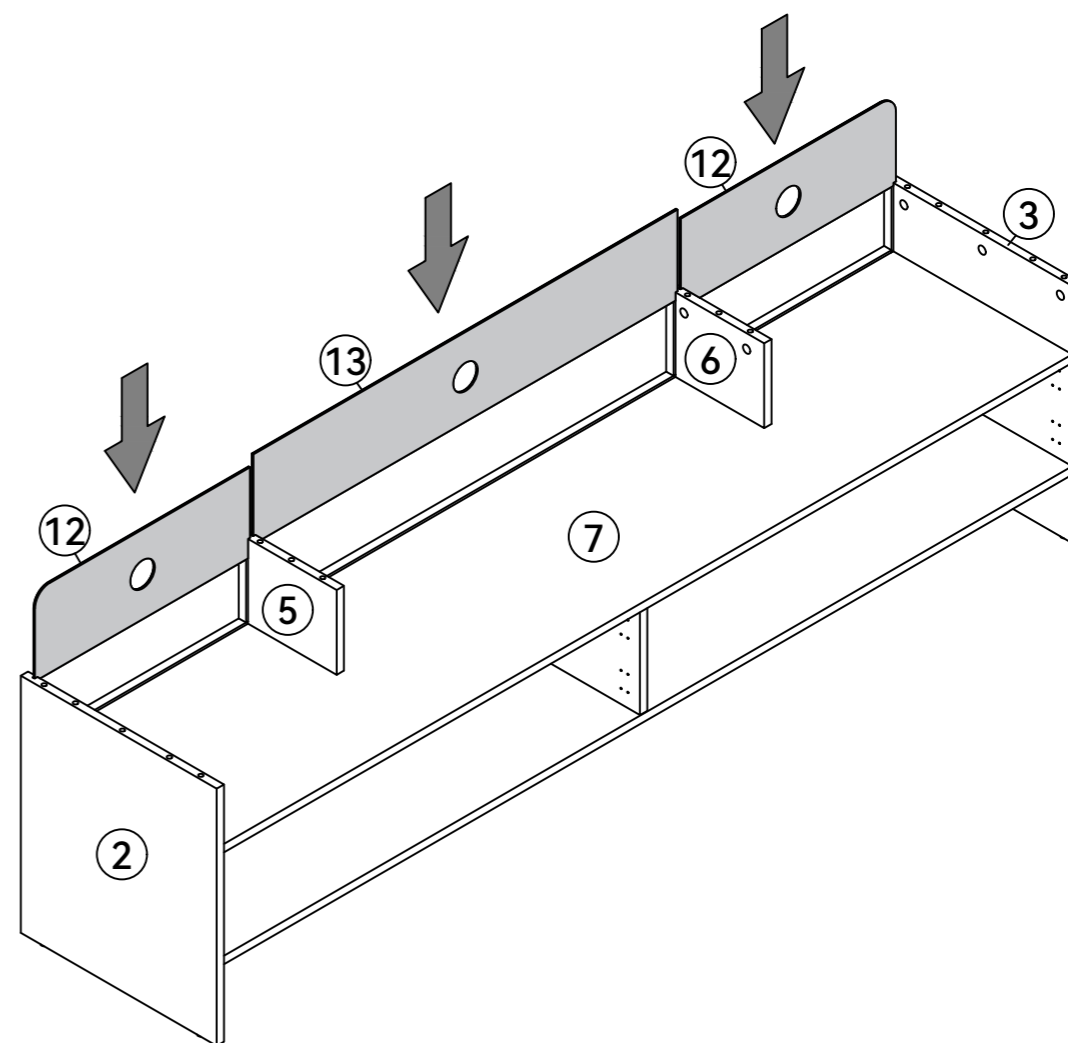
Insert the cam bolt into the hole first, then insert the cam lock and lock it.



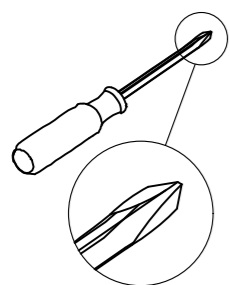
Proper orientation of CAM LOCK

Step 11

Slide panels (12) and (13) along the grooves of panels (2), (3), (5), and (6).

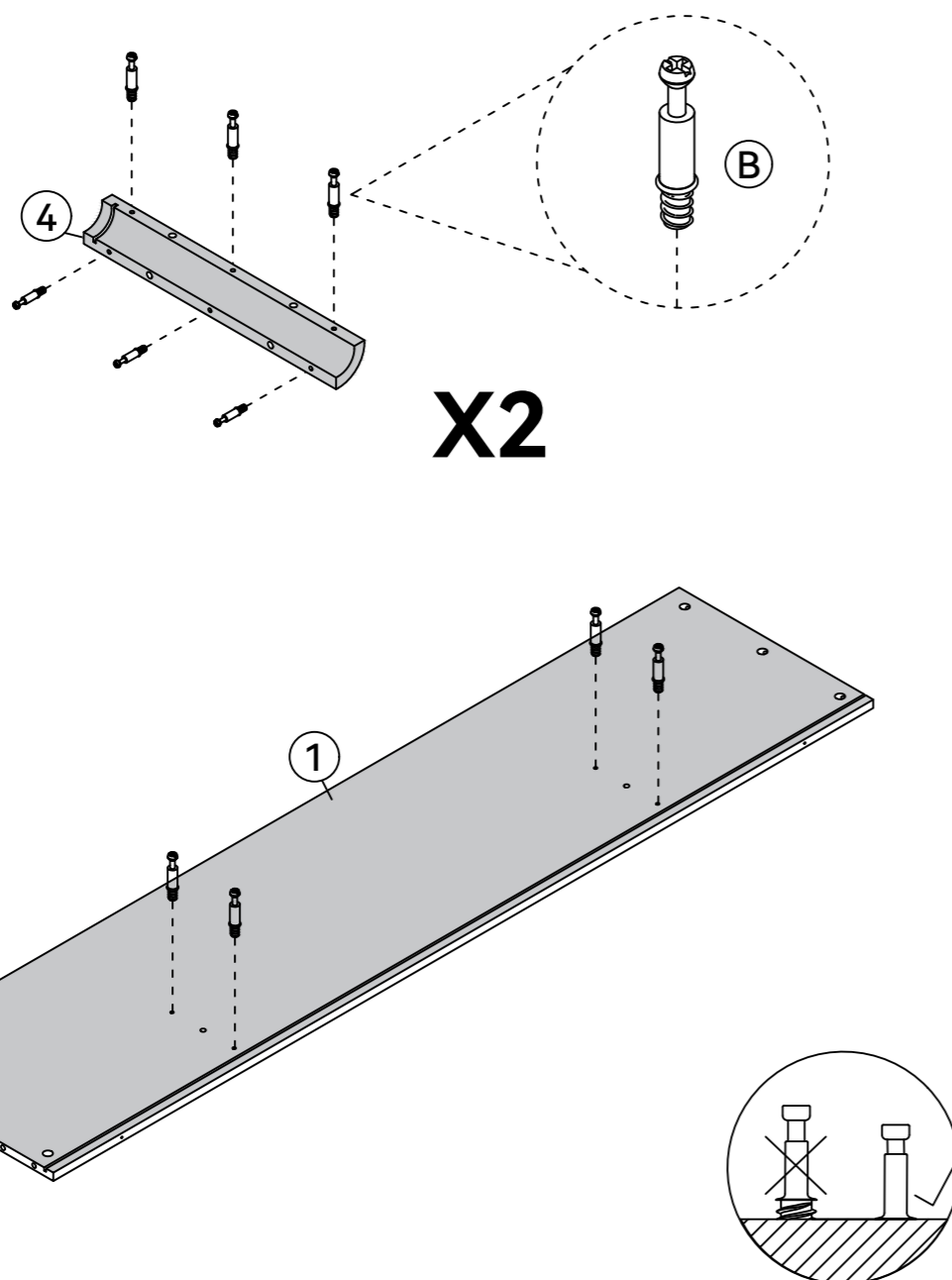


Step 12

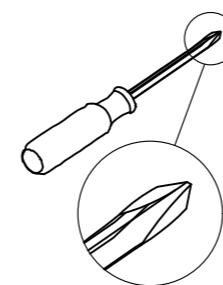


(B)	X16
Ø6.5*35	

Fix accessory (B) onto panels (1) and (4).



Step 13

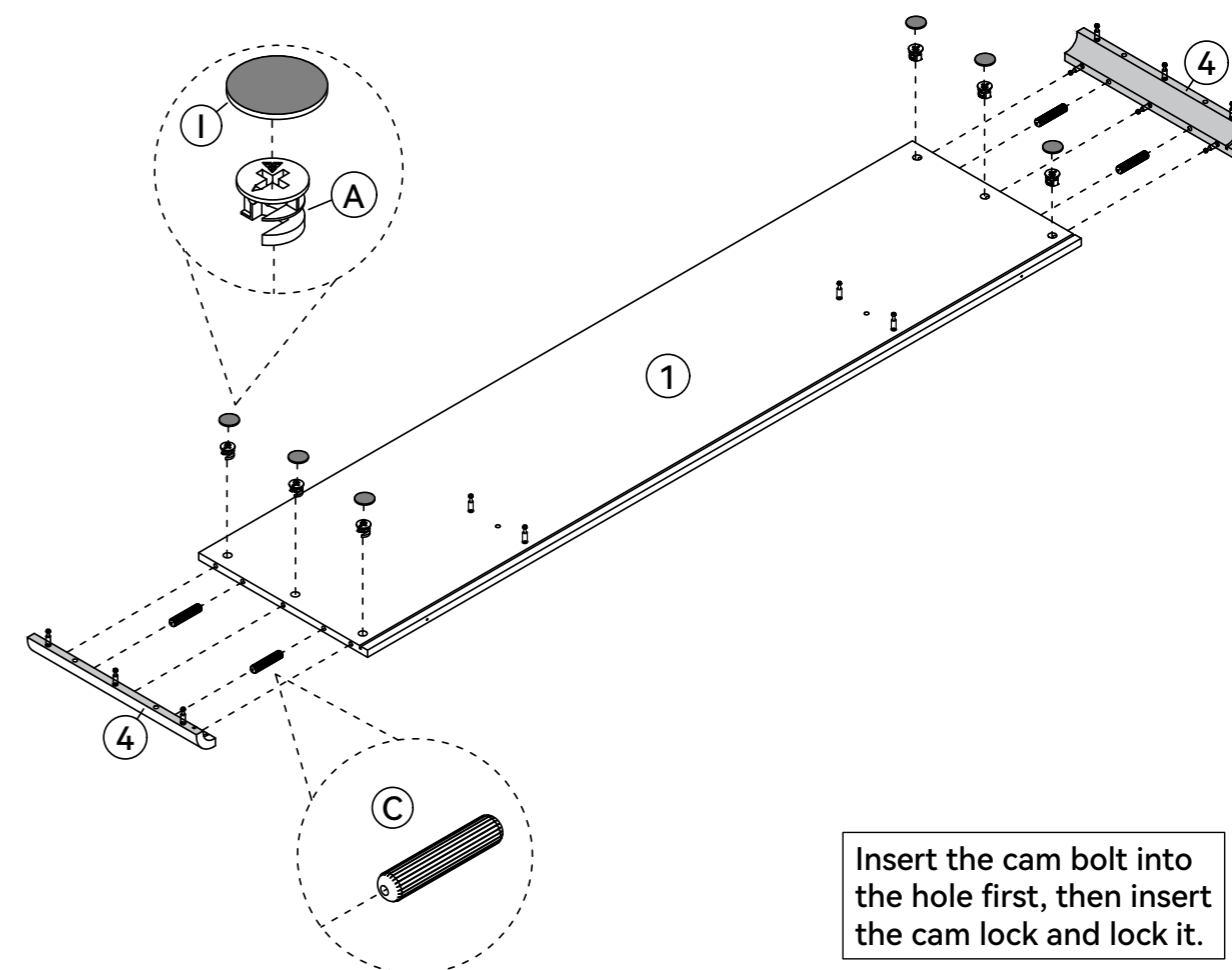


(A)	X6
Ø 15*9.5	

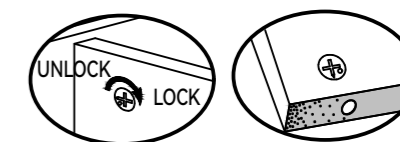
(C)	X4
Ø8*30	

(I)	X6
Ø21	

Insert accessory (C) into the hole of panel (1) to connect with panel (4).
Secure with accessory (A), then cover the hole with accessory (I).

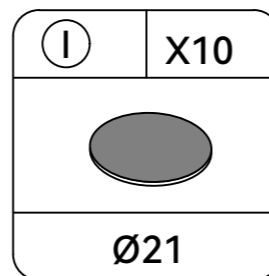
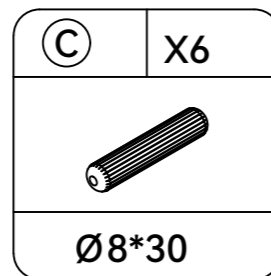
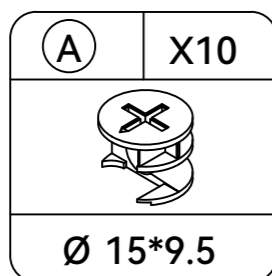
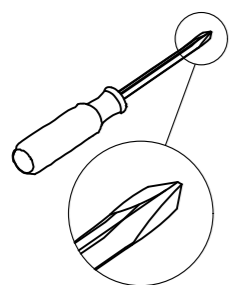


Insert the cam bolt into the hole first, then insert the cam lock and lock it.

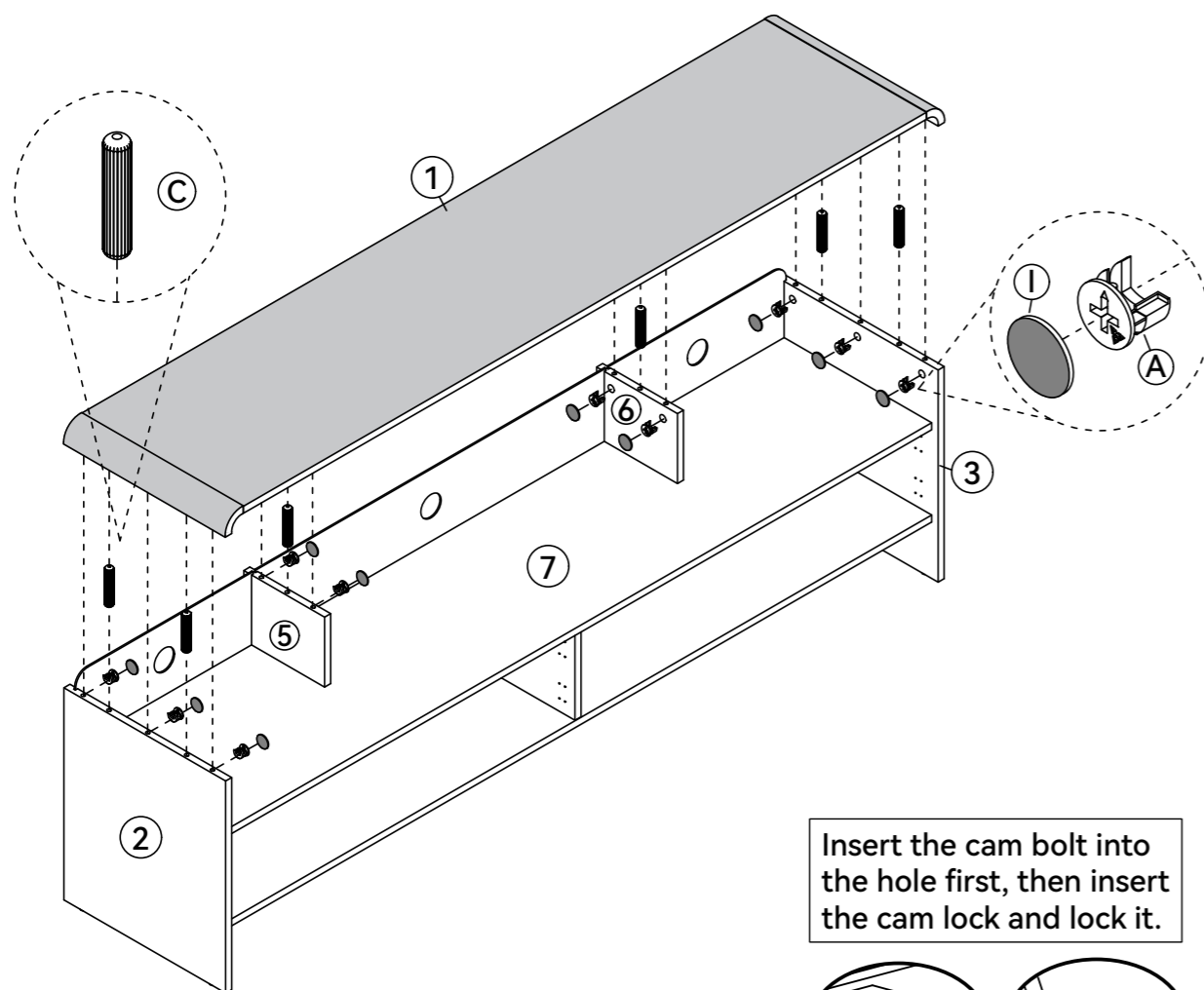


Proper orientation of CAM LOCK

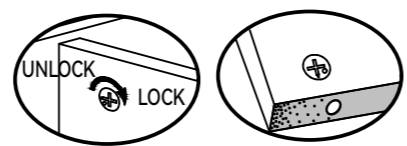
Step 14

**THIS STEP REQUIRES 2 PEOPLE**

Insert accessory (C) into the holes of panels (2), (3), (5), and (6) to connect with panel (1). Secure with accessory (A), then cover the hole with accessory (I).

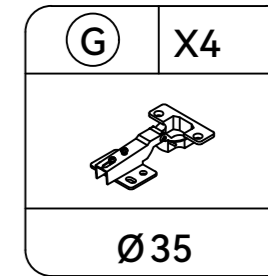
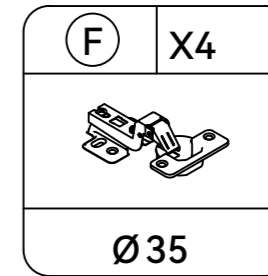
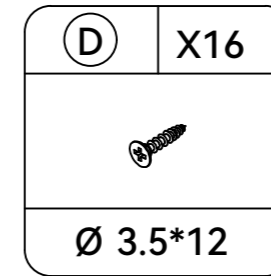
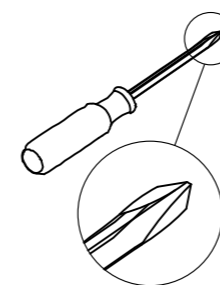


Insert the cam bolt into the hole first, then insert the cam lock and lock it.

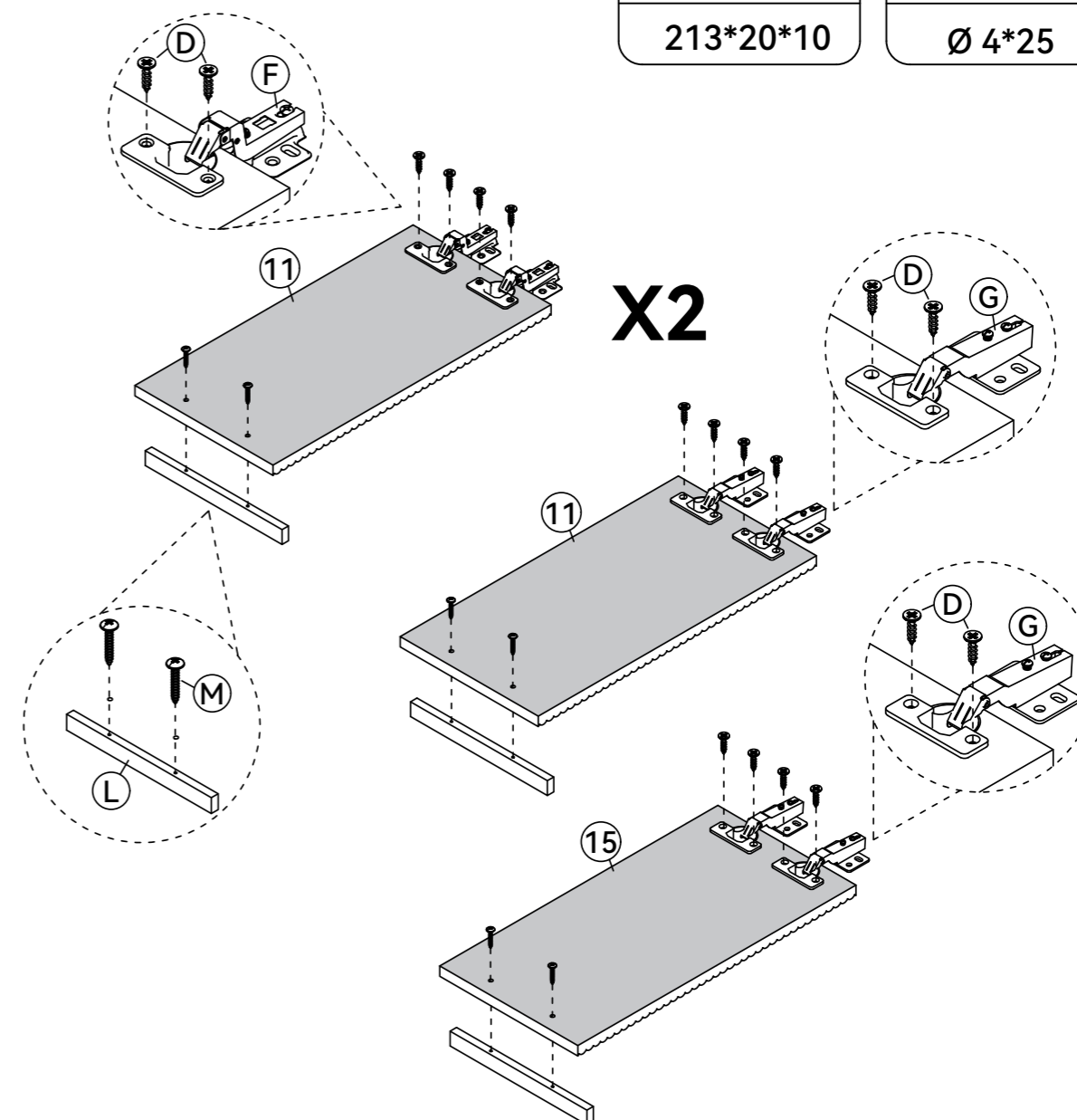
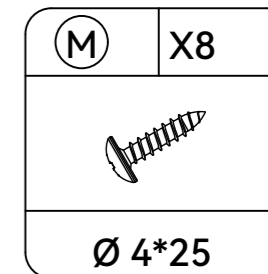
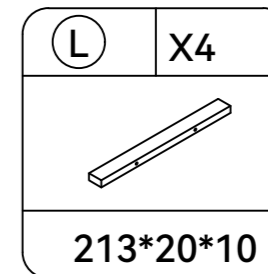


Proper orientation of CAM LOCK

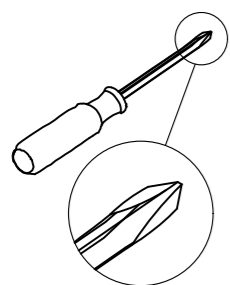
Step 15




Use screws (D) to fix accessories (F) and (G) separately onto panels (11) and (15). Then use screw (M) through panels (11) and (15) to connect with accessory (L).

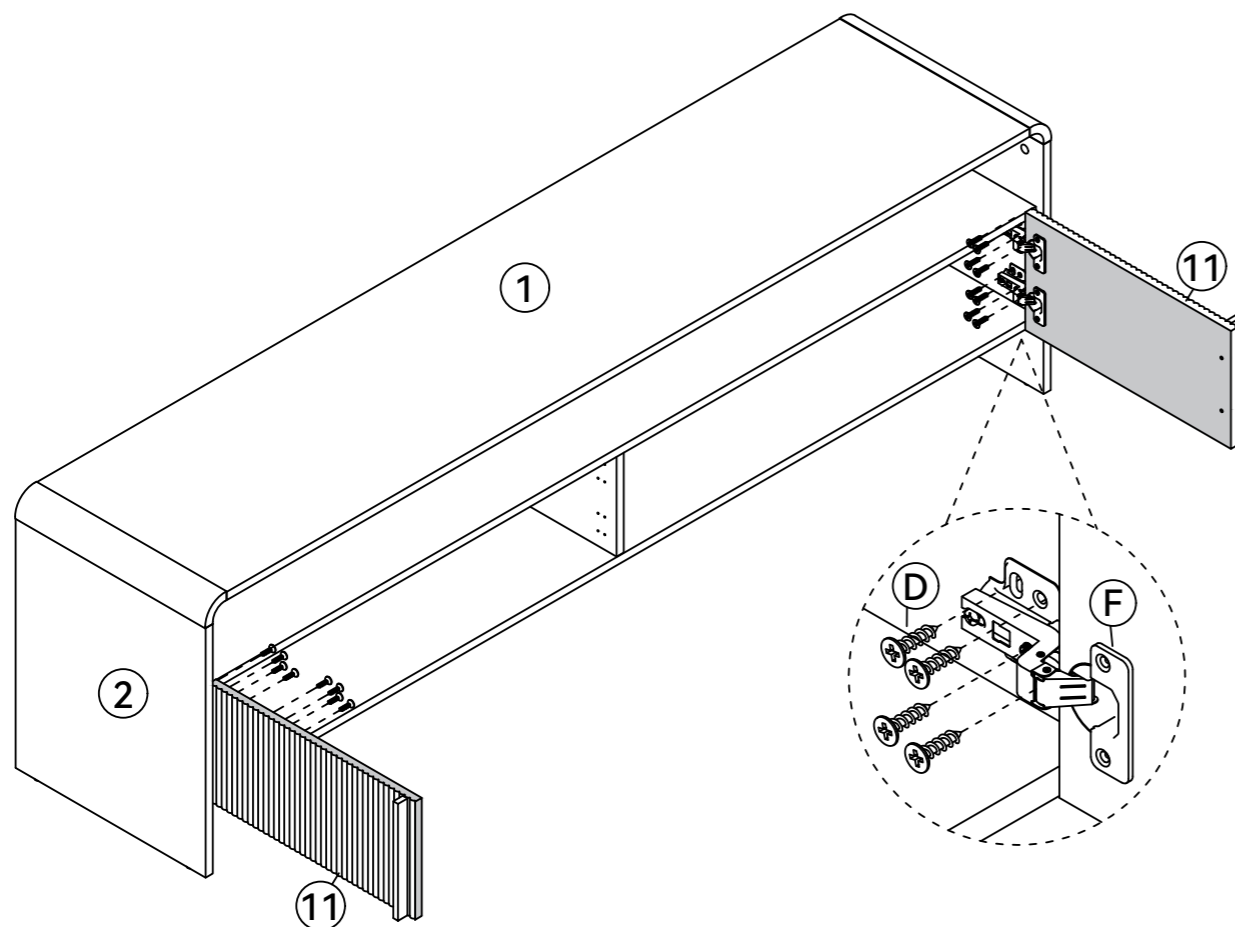


Step 16

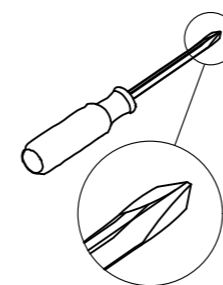



(D)	X16
	
Ø 3.5*12	

Note: Fix the cabinet door with accessory (F) on panel (11) to panels (2) and (3) using screws (D).

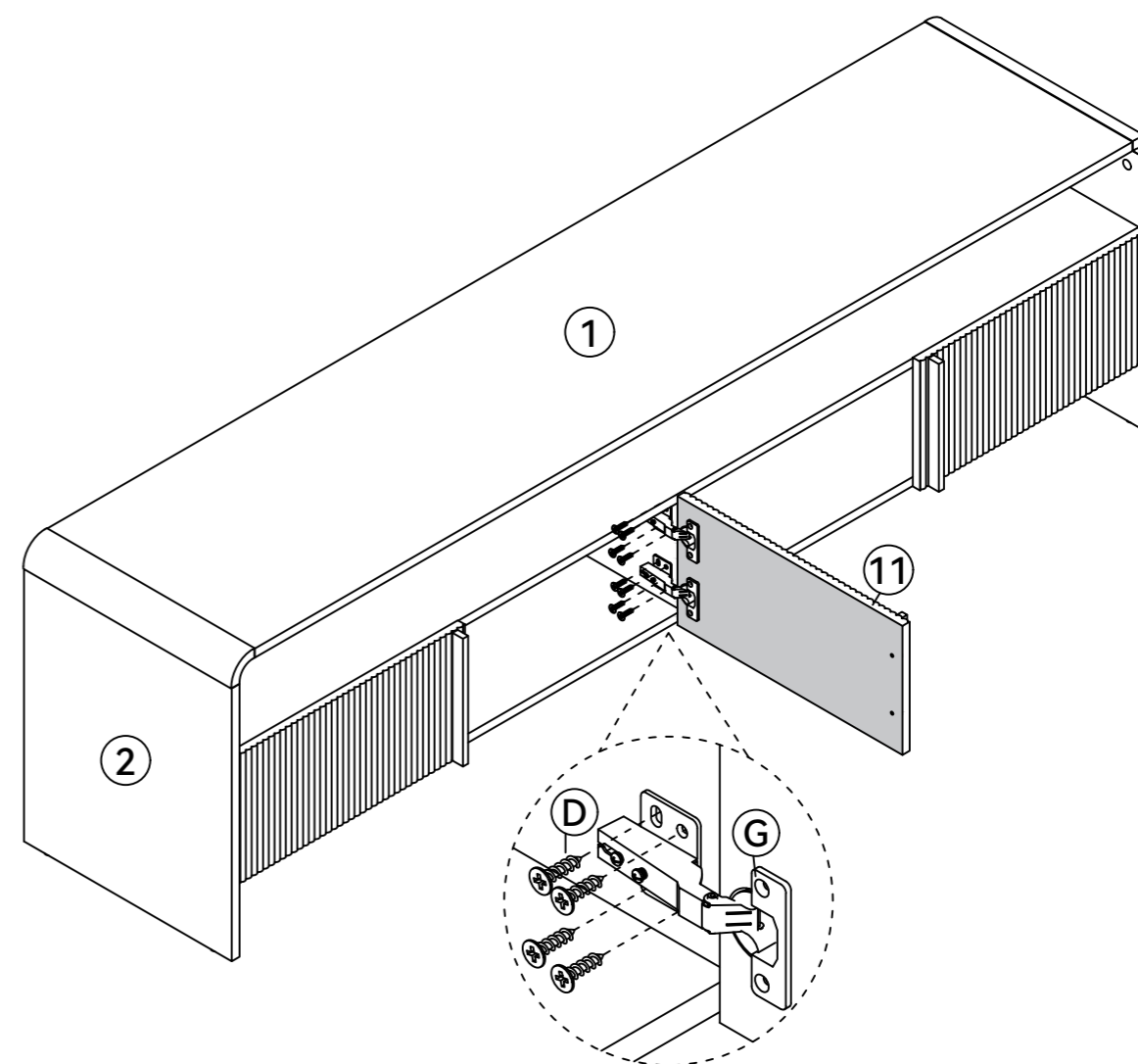


Step 17

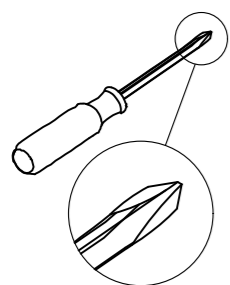



(D)	X8
	
Ø 3.5*12	

Note: Fix the cabinet door with accessory (G) on panel (11) to panel (8) using screws (D).

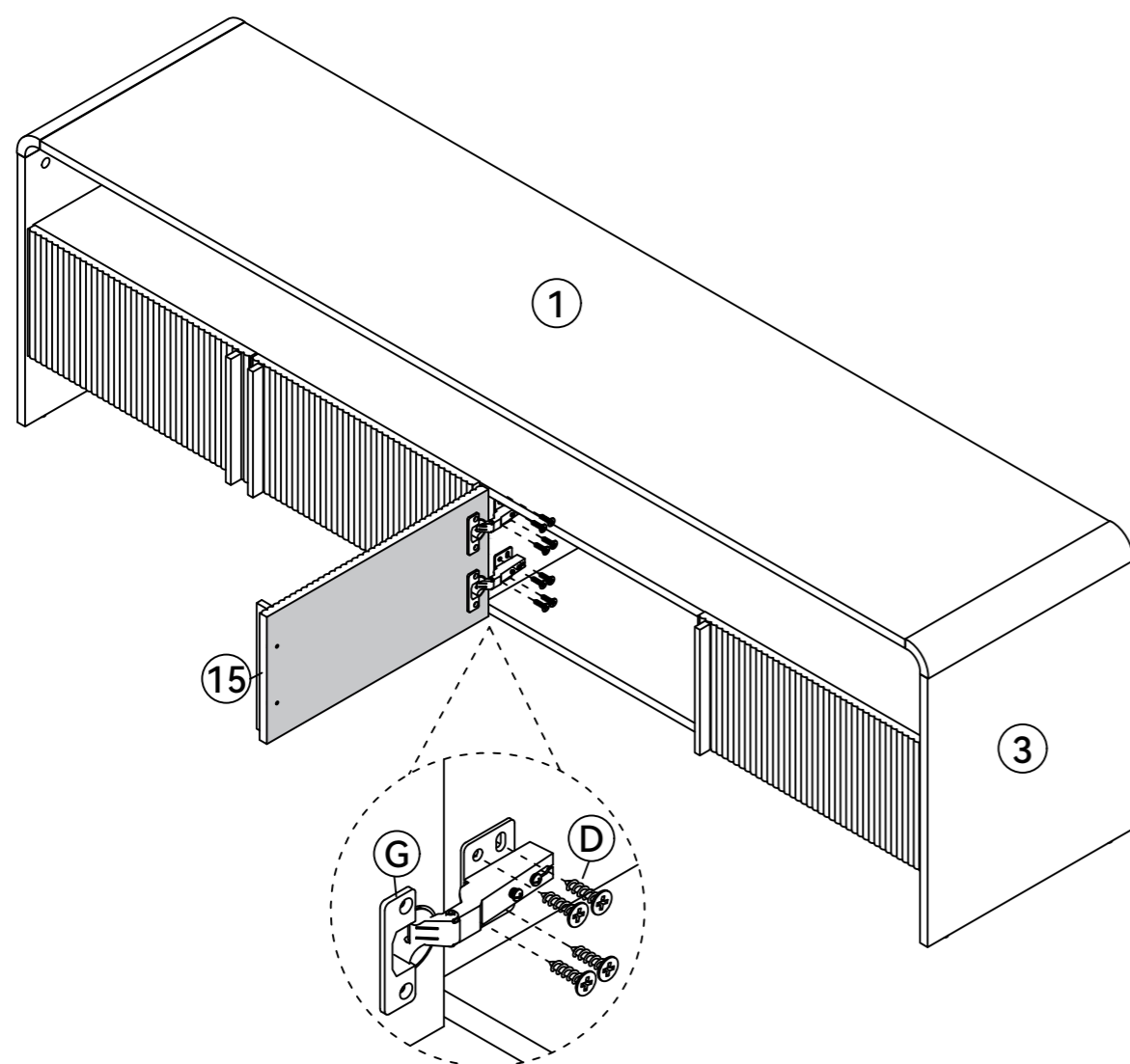


Step 18



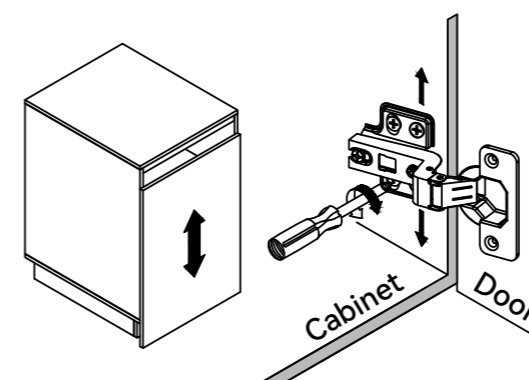
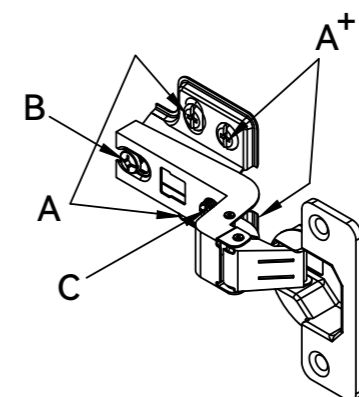
(D)	X8
	
Ø 3.5*12	

Note: Fix the cabinet door with accessory (G) on panel (15) to panel (8) using screws (D).

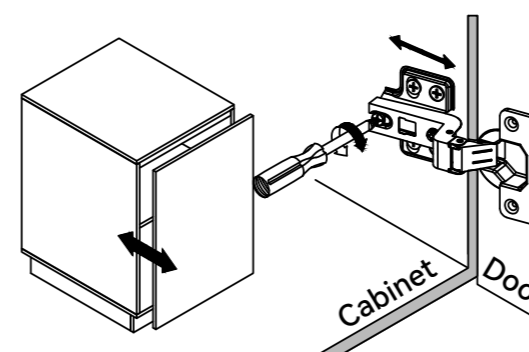


Step 19

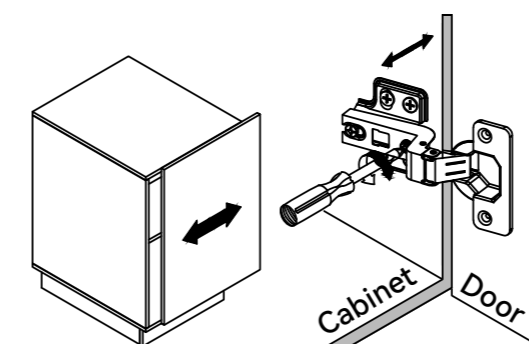
Hinge Adjustment Instructions

**To adjust the vertical height.**

Loosen the four screws "A" on both hinges. Two of them are usually in slotted holes which allows you to adjust up or down by a few mm. Then tighten back up.

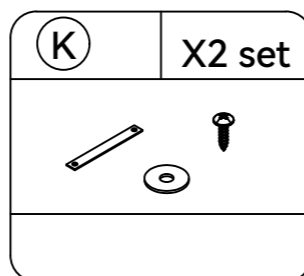
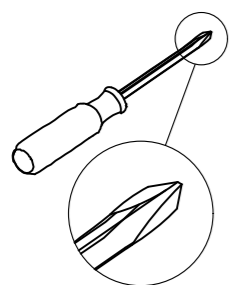
**To adjust depth.**

Loosen screw "B" and adjust door, if the door can not be adjusted, please loosen screw "C", then try again. Tighten screw "B" and "C".

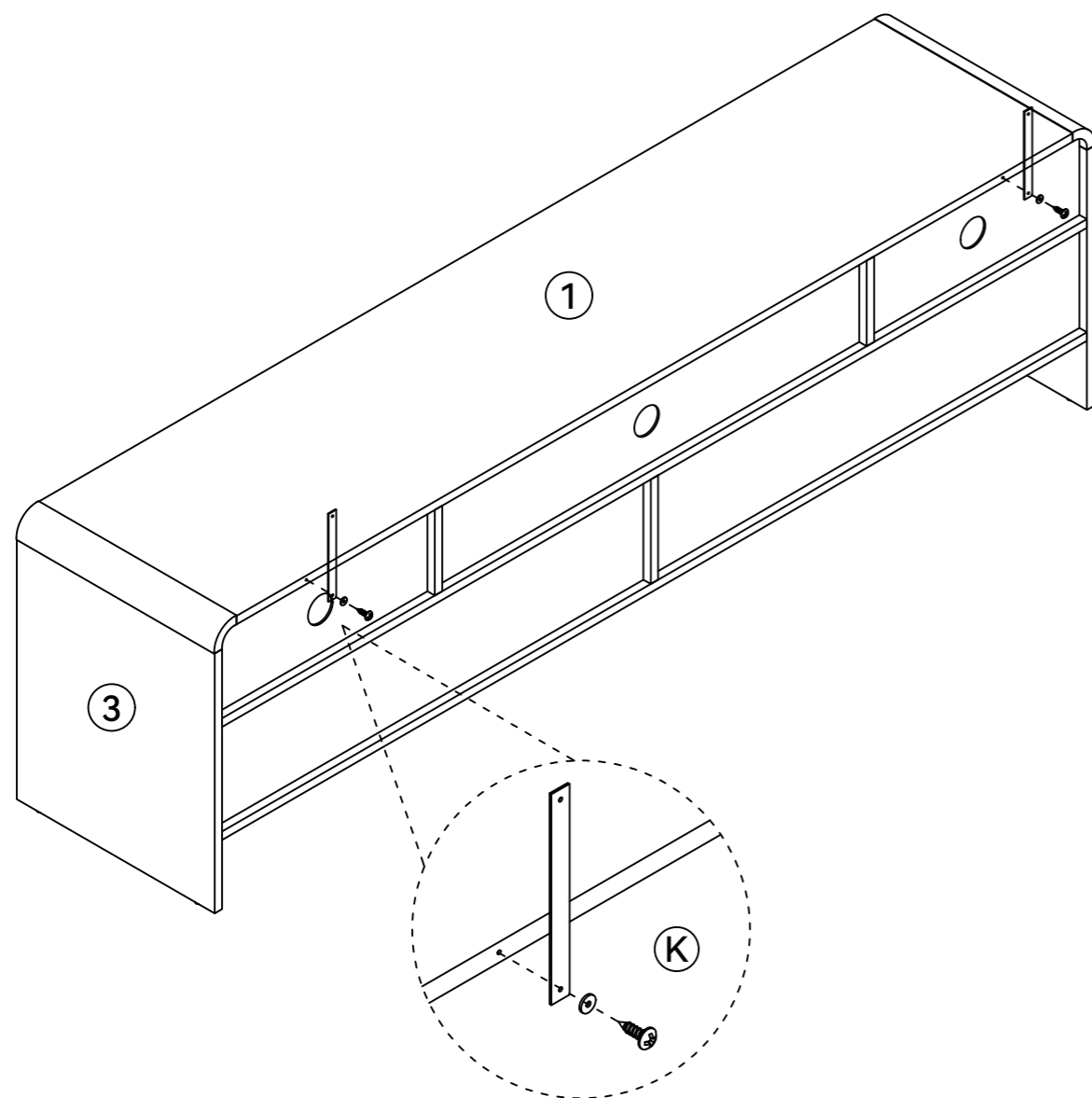
**To adjust side ways.**

Turning the screw "C" on BOTH hinges on each door.

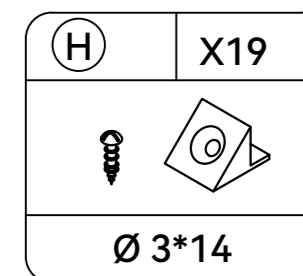
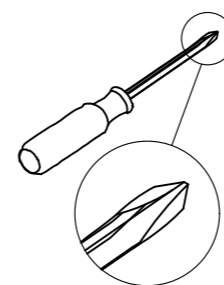
Step 20



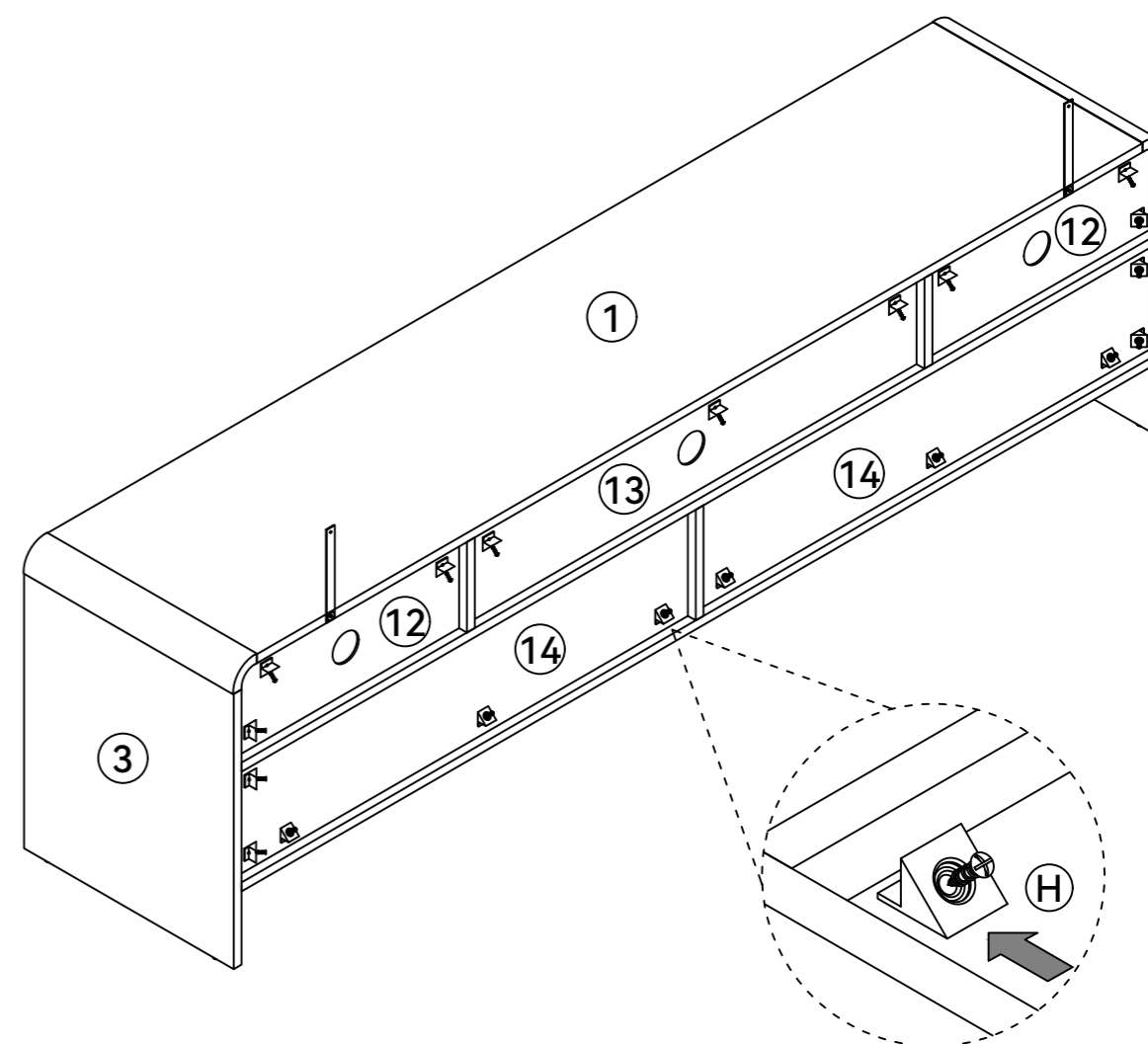
Install accessory (K) on panel (1) as shown in the diagram.



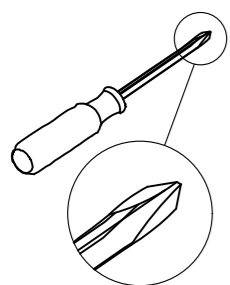
Step 21



Insert plastic clips (H) into the grooves of back panels (12), (13), and (14). Tighten through the holes of the plastic clips and lock them in place.



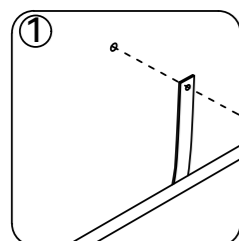
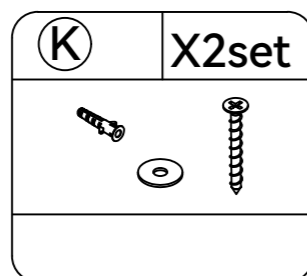
Step 22


⚠ WARNING

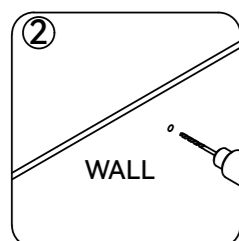

Children have died from furniture tipover. To reduce the risk of furniture tipover:

- ALWAYS install Anti-tip device provided.
- Maximum TV Size 80" Maximum Load: 113 kg/ 250 lb
- NEVER allow children to stand, climb or hang on drawers, doors, or shelves.
- NEVER open more than one drawer at a time.
- Place heaviest items in the lowest drawers.

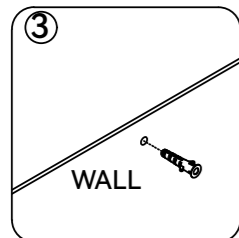
This is a permanent label. Do not remove!

Install the tipping restraint hardware


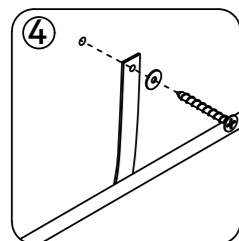
1. make mark on the wall



2. drill two $\varnothing 6$ holes on the wall



3. put two anchors in the holes



4. fix the device on the wall by the long screws

