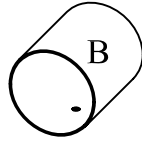


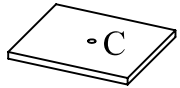
1pc



1pc



1pc



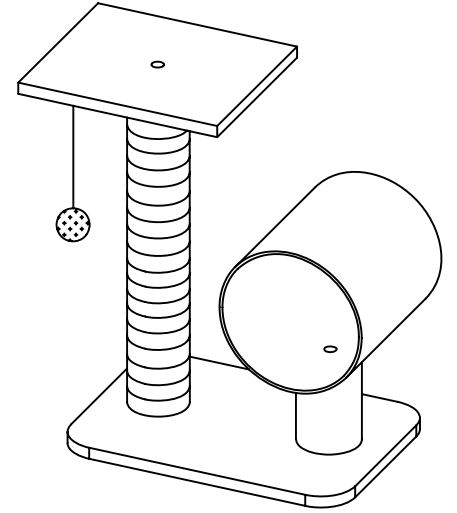
1pc



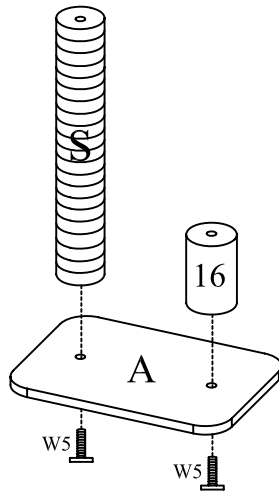
1pc

Accessory	Size	Quantity
	—	1pc
Toys	—	2pcs
	$\varnothing \frac{3}{8}'' \times 1 \frac{3}{4}''$ $\varnothing 10\text{mm} \times 45\text{mm}$	4pcs

Packing List



step1



step2

