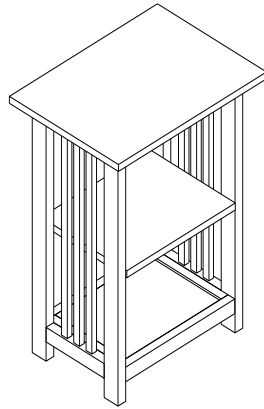


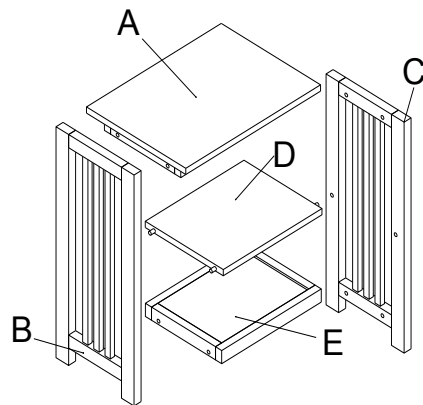
2 Shelf End Table



Thank you for purchasing our 2 Shelf End Table. We have found it helpful to have a second person present in at least one step of the assembly.

2 Shelf End Table Assembly Instructions

Lay out all parts on a "non-abrasive" surface to avoid scratching furniture.



NO.	DRAWING	DESCRIPTION	QTY.
A		TOP	1
B		END PANEL-L	1
C		END PANEL-R	1
D		SHELF	1
E		BOTTOM PANEL	1

NO.	DRAWING	DESCRIPTION	QTY.
F		M6*30mm BOLT	8
G		WOOD DOWEL	4
H		HEX WRENCH	1

PARTS

Step 1

Read through these instructions thoroughly before beginning assembly. We have found this to be of great value when first assembling this product.

Step 2

Remove all parts and hardware from packing material. Wooden pieces should be placed on a non abrasive surface (like the carton or carpet) to prevent damage to the finish.

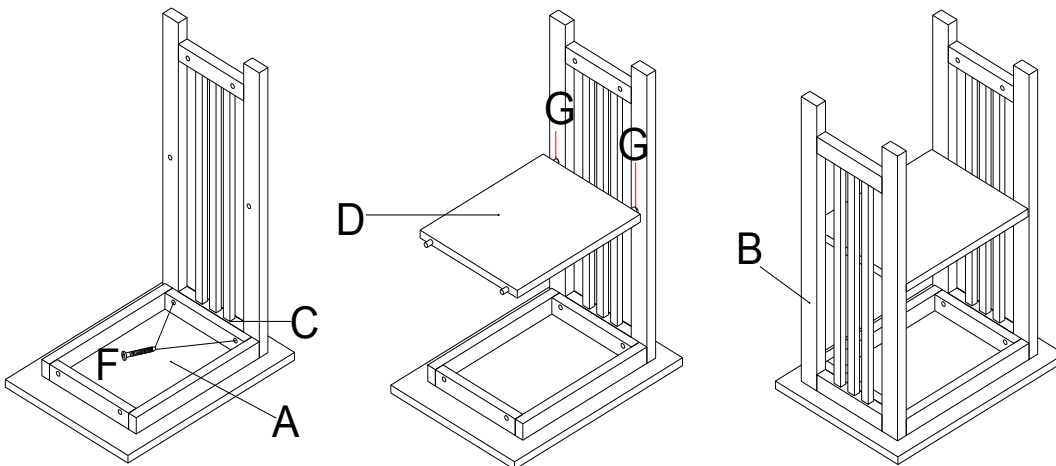
Step 3, 4 and 5

Lay Top (A) upside down and attach Right End Panel (C) by using 2 M6 x 30mm Hex Bolts (F).

Note: It will help to have a second person at this time to assist in assembly.

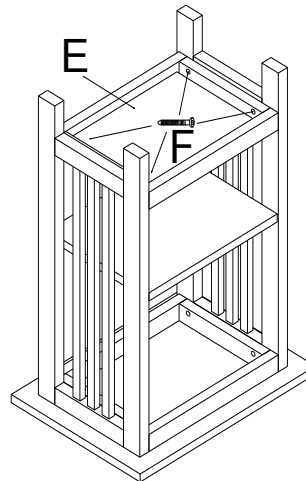
Put shelf (D) into Right End Panel (C).

Attach Left End Panel (B) to Top (A) by using 2 M6 x 30mm Hex Bolts (F).



Step 6

Attach Bottom (E) using 4 M6 x 30mm Hex Bolts (F).



CARE

Clean with mild soap and wipe dry.

REPLACEMENT PARTS:

For best service, to order replacement parts go to us. Use the order form on the web site to order your replacement parts. **Thank You!**