

INSTALLING YOUR FLOATING CONCRETE MANTEL



APPLICATIONS

This floating mantel can be installed on wood studs or CMU surfaces in both indoor and outdoor environments.

TOOLS NEEDED

- Pencil
- Tape Measure
- Magnetic Torpedo level
- Power Drill
- 1/2" Socket or Wrench
- 5/16" Drill Bit
- 3/16" Pilot Bit
- Silicone Adhesive

HARDWARE

- Left & Right support brackets
- Four hex head lag bolts (2 1/2")

MOUNTING TO WOOD STUDS

Complete mounting hardware is included for wood stud applications only.

MOUNTING TO CMU OR MASONRY

For **CMU** applications, we recommend 3/8" x 3" anchor rods, 3/8" epoxy sleeves (both to be used with epoxy system), 3/8" lock nuts, and the Hilti HIT-HY 270 Masonry Chemical Anchor (epoxy system).

For **solid masonry surfaces**, we recommend using 5/16" x 2" Hex-Washer-Head Large Diameter Concrete Anchors. .

INSTALLATION ON WOOD STUD WALLS

1. Identify where the center of your mantel will be and mark it on the wall with a pencil. Also mark the center of the mantel.
2. Determine the height you want the top of the mantel to be resting at. Subtract 1" from this height and mark the wall at the center. Using a level, pencil a line that extends horizontally in both directions. This is your *Bracket Line*.
3. Along the *Bracket Line*, mark the furthest locations the support brackets can be placed on either side of center. For 72" mantels, it will be 35" in both directions (from center). For 60" mantels, it will be 28" in both directions (from center). These are your *Limit Lines*.
4. Along the *Bracket Line*, locate the furthest wall studs (from center) that are still within the *Limit Lines*. Ideally, studs should be within 6 inches of either side of the mantel. If this is not the case, you can remove sheetrock and add a wood block between studs in that location to create a strong anchor point for the brackets.
5. Position the left bracket at the furthest stud (or wood block) location such that the top is touching the *Bracket Line*. Note that the groove must face upward to capture the safety cleat. Ensuring the bracket is level vertically, mark the wall where the two bracket holes are located and drill 3/16" pilot holes into the studs.
6. Enlarge the holes with a 5/16" bit. Fasten the bracket to the wall using the lag bolts provided. Repeat the steps for the second bracket, ensuring that it is level vertically and in relation to the other bracket. Ensure that both brackets are tightly secured.
7. Apply a few dabs of silicone to the top portion of each of the two bracket recesses. The mantel has a ¼" safety cleat on the rear-side (wall-facing) of the top inner panel. Lift the mantle and slide it over the brackets toward the wall, making sure not to drop the cleat it into the recess yet. Make any horizontal adjustments in order to center it, and then guide it until it touches the wall.

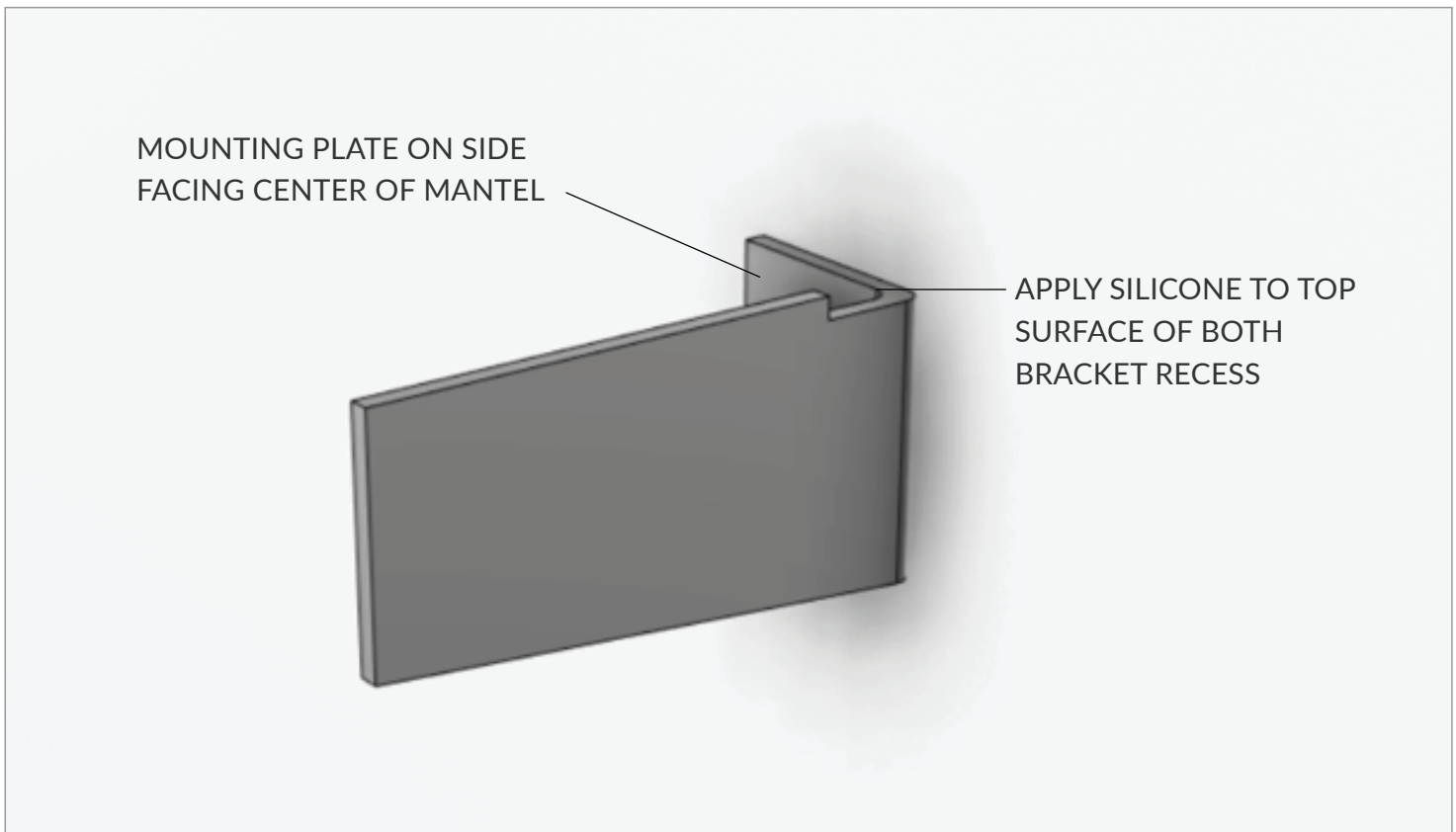
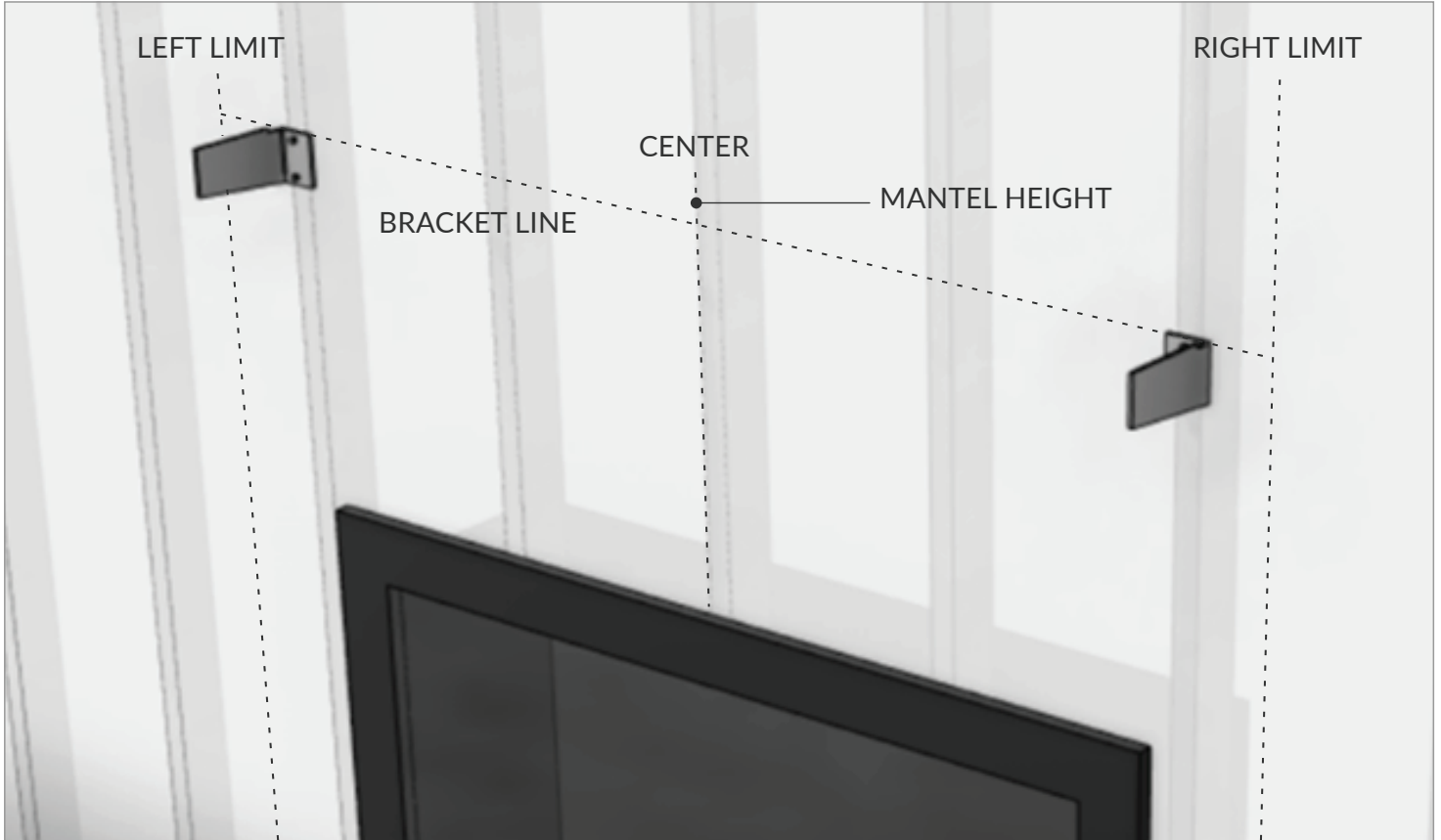
INSTALLATION ON CMU OR SOLID MASONRY SURFACES

For mounting to CMU or solid masonry surfaces, follow steps 1-3 and install the brackets at the following locations, ensuring the bracket's outer edge is on the inside of *Limit Line*.

60" Mantel: 28" to the left and right of center with the bracket's groove touching the *Bracket Line*

72" Mantel: 34" to the left and right of center with the bracket's groove touching the *Bracket Line*

INSTALLATION ON WOOD STUD WALLS



PRODUCT CARE & MAINTENANCE

The following instructions are for our indoor products sealed with our topical sealer.

Now that your concrete is installed, you'll want to properly care for it. Follow these simple guidelines to keep your concrete looking beautiful for years to come:

- Avoid dragging sharp, hard objects across the concrete surface to prevent scratching. Minor white scratches should be expected throughout the piece from use over time. Applying Pledge every now and then can fill in minor scratches and give your pieces a nice sheen.
- Avoid leaving acidic foods and beverages (lemon juice, mustard, vinegar, wine, soda, tomatoes, bananas, pumpkins/gourds, etc.) perfumes and colognes, cleaners that contain vinegar or citric acids, and other harsh chemicals or solvents (ammonia, acetone, hydrogen peroxide, etc.) on the concrete surface. Clean or remove these substances as soon as possible as they may "eat" through the sealer (which can leave light hazing) and could possibly expose or stain your concrete. There are, of course, other items and products that may damage your sealer. We have tested against the most typical stain agents, but please use standard precautions to keep your concrete protected.
- Avoid using abrasive soaps, cleansers, or scrubbing pads that can wear down the sealer. We recommend using mild, non-abrasive, non-ammonia, non-citric acid, non-vinegar, non-bleach soaps and cleaners.
- Please use standard care and precautions with your concrete products. Concrete is extremely durable; however, it is not invincible. Excessive force can do damage to your piece.

For more information see our Product Care & Use Sheets at <https://www.trueformconcrete.com/product-care-use-sheets/>

WARRANTIES, LIMITATIONS OF LIABILITY AND EXCLUSIVE REMEDIES

TRUEFORM warrants for a period of one (1) year from the date of delivery that its Products shall perform in a good and workmanlike manner in accordance with applicable standards; comply with any applicable laws, rules or regulations; and not violate or infringe upon any presently issued patent or copyright of any third party. This warranty does not include or cover 1) hairline cracks in the concrete, 2) damage caused during installation or due to incorrect installation, 3) damage caused by incorrect cleaning or care, 4) damage caused by incorrect use, 5) damage caused by acts of abuse to the products such as scratches, chips, stains, or other markings/damage, or 6) damage caused by drilling into or attempting to alter the product from the way in which it was received.

THE FOREGOING WARRANTIES ARE TRUEFORM'S ONLY WARRANTIES CONCERNING THE PRODUCTS, AND ARE MADE FOR THE BENEFIT OF THE CUSTOMER ONLY AND ARE IN LIEU OF ALL OTHER WARRANTIES OR REPRESENTATIONS, EXPRESS OR IMPLIED, INCLUDING, BUT NOT LIMITED TO, ANY IMPLIED WARRANTIES OF MERCHANTABILITY AND FITNESS FOR A PARTICULAR PURPOSE OR OTHERWISE.

TRUEFORM's sole responsibility is limited to the repair or replacement, at its own expense, of any non-conforming TRUEFORM Products discovered by the Customer and reported to TRUEFORM within seven (7) days from the date of delivery.

TRUEFORM SHALL HAVE NO LIABILITY OR OTHER RESPONSIBILITY TO THE CUSTOMER OR ANY THIRD PARTY WITH RESPECT TO ANY LIABILITY, LOSS OR DAMAGE ALLEGEDLY CAUSED DIRECTLY OR INDIRECTLY BY OUR PRODUCTS AND SERVICES AND THE USE OF THIS MANUAL, INCLUDING, BUT NOT LIMITED TO, ANY INTERRUPTION OF SERVICE, LOSS OF BUSINESS, ANTICIPATORY PROFITS, OR INDIRECT, SPECIAL OR CONSEQUENTIAL DAMAGES.

The material in this manual is for informational purposes only. The products it describes are subject to change without prior notice, due to the manufacturer's continuous development program.

QUESTIONS OR FEEDBACK?

If you have any questions or if there is anything we can do to improve your experience, please let us know. We'd be happy to hear your feedback.

Trueform Concrete, LLC
105 W Dewey Ave, Suite 509. Wharton NJ 07885
888.474.7977 [makers@trueformconcrete.com](mailto:makes@trueformconcrete.com)
www.trueformconcrete.com