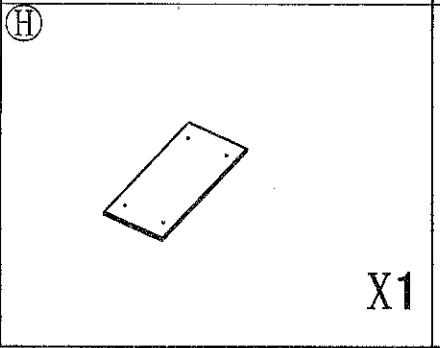
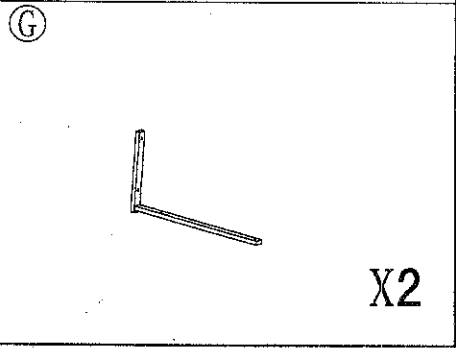
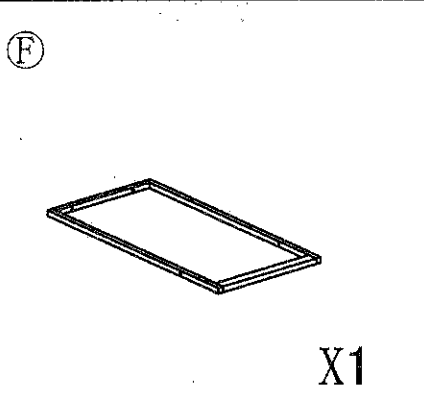
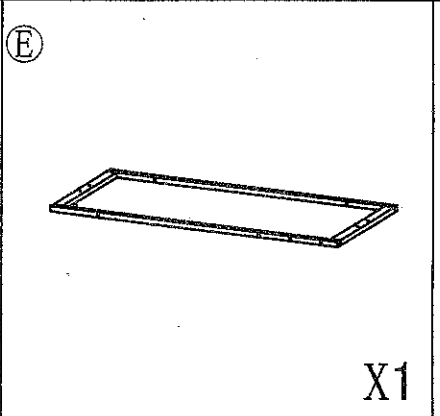
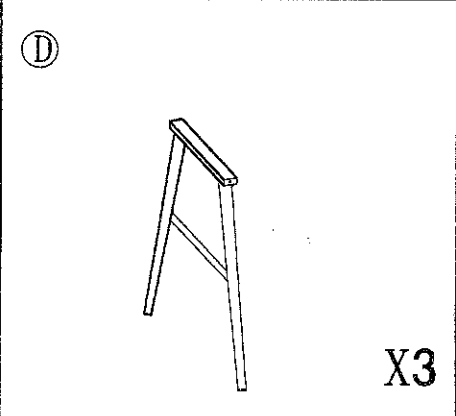
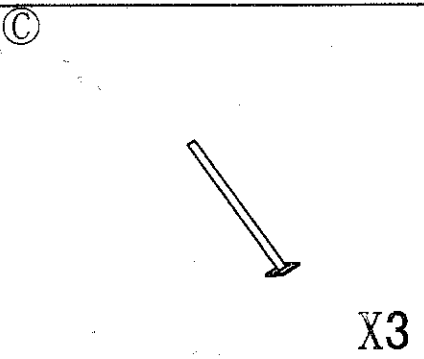
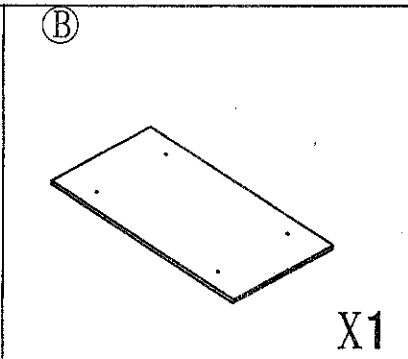
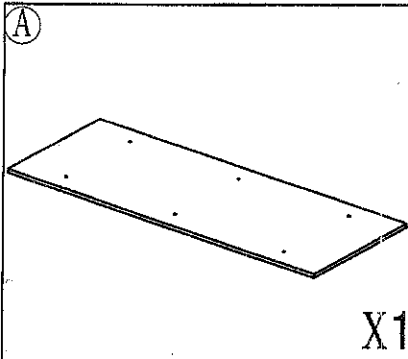
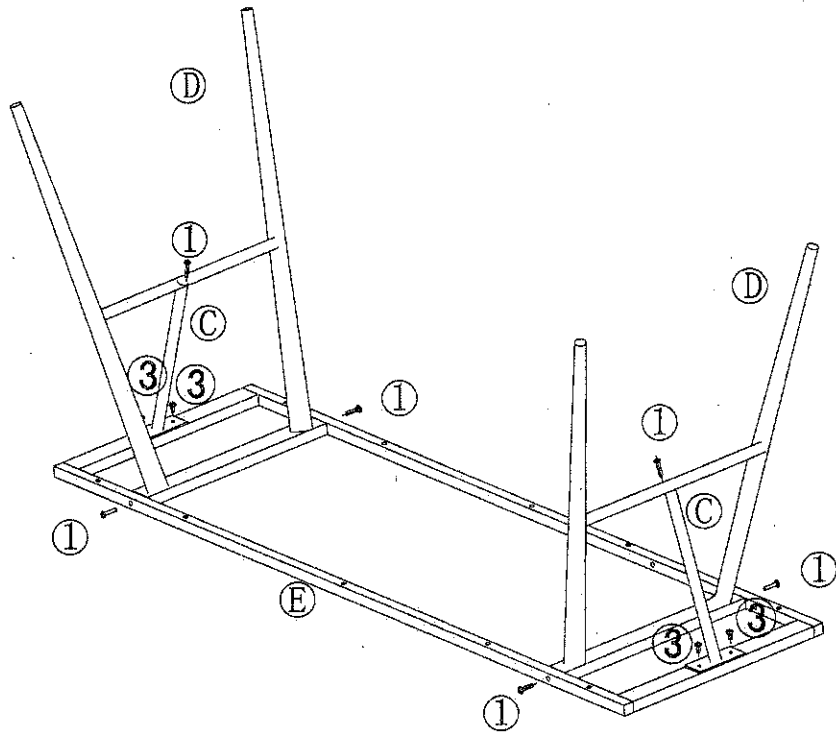


IMPORTANT: DON'T FASTEN BOLTS UNTIL ALL PARTS IN POSITION.



PARTS			
①	11	M6X35MM	
②	10	M6X30MM	
③	6	M6X12MM	
④	6		
⑤	8	M6X25MM	

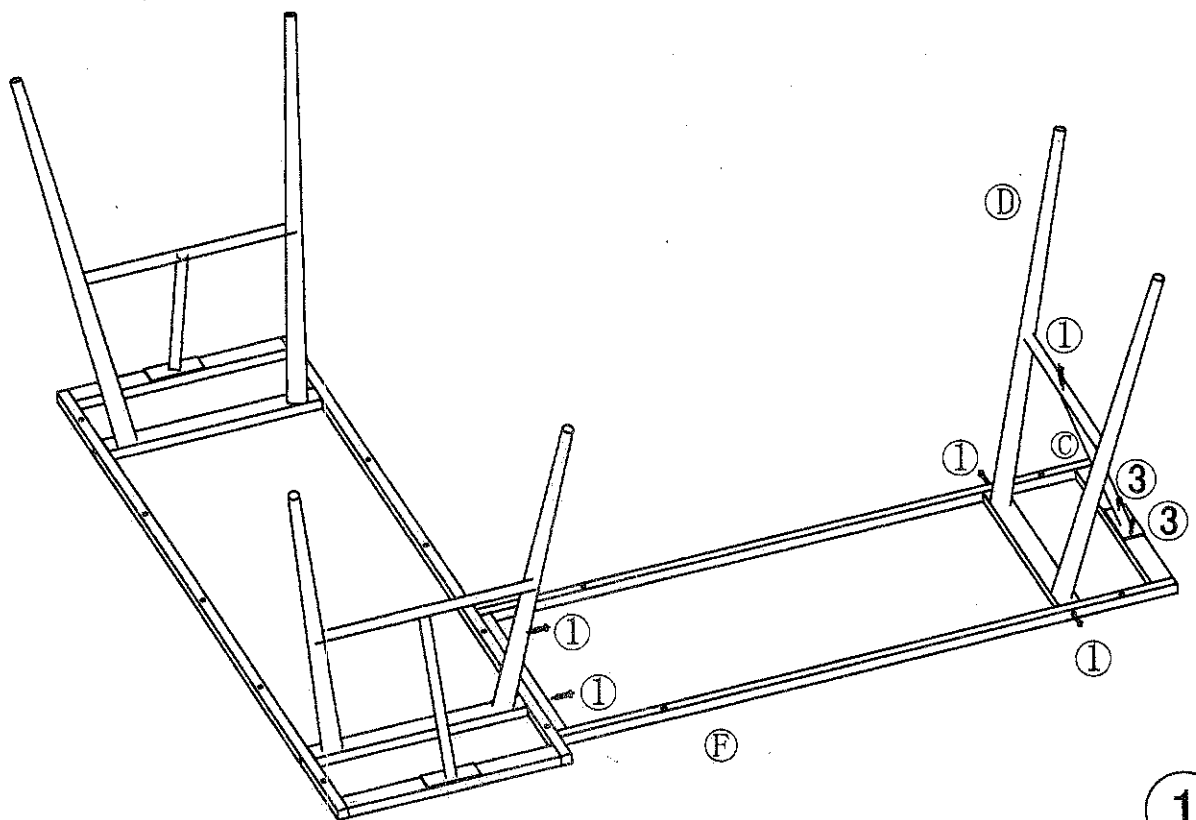
1



① X6

③ X4

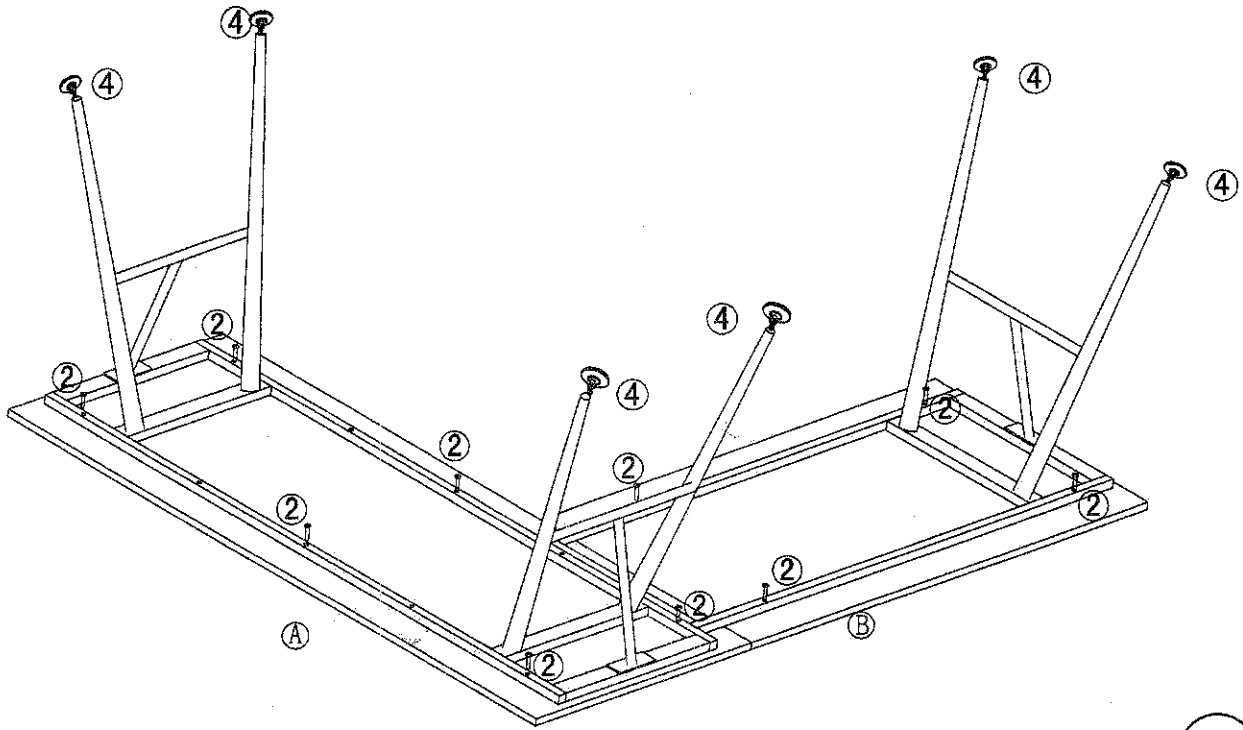
2



① X5

③ X2

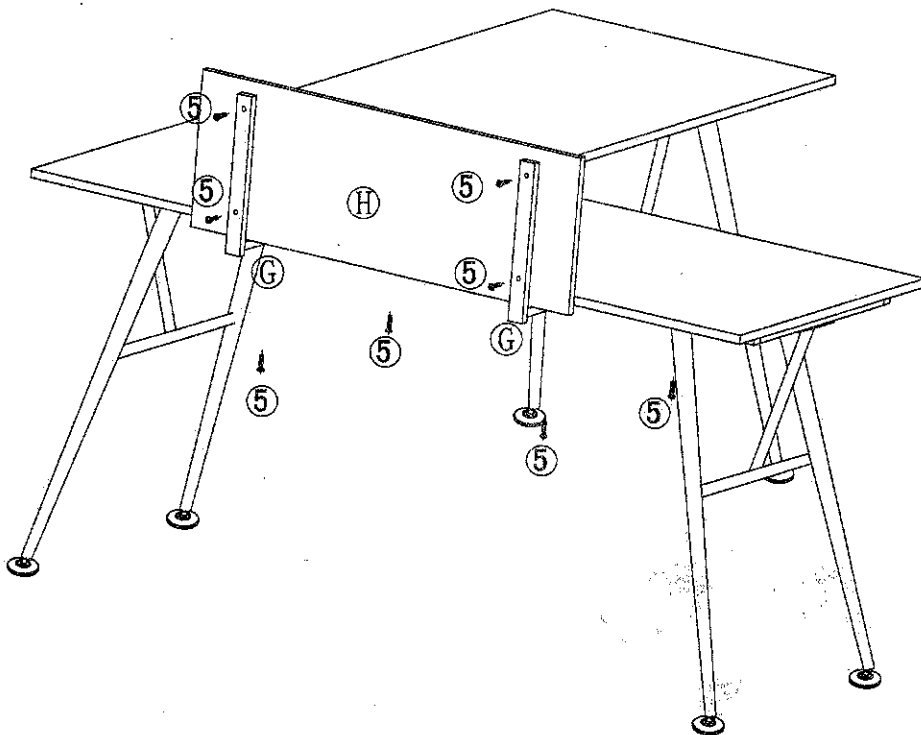
3



2 X10

4 X6

4



5 X8