

















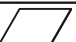
CARE AND MAINTENANCE

Spot clean using a mild water-free solvent. Only a professional cleaner should undertake a complete overall cleaning.
The use of steam or water-based cleaners may cause excessive shrinking or staining.

NOTICE

- * Please make sure that you have all parts indicated before you begin assembly of this item.
- * This item should be assembled on a soft surface to prevent scratching the finish during assembly.
- * This item may require periodic tightening.

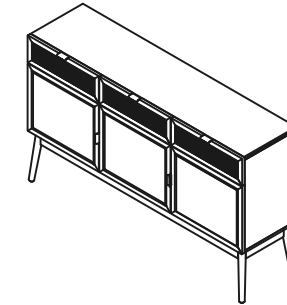
Part List and Hardware List

PIECE	DESCRIPTION	PICTURE	QUANTITY
A	TOP PANEL		1X
B	LEFT PANEL		1X
C	RIGHT PANEL		1X
D	LEFT DIVIDER		1X
E	RIGHT DIVIDER		1X
F	ADJUSTABLE SHELF		1X
G	FRAME		2X
H	BOTTOM ASSEMBLY		1X
I	SIDE BACK PANEL		2X
J	CENTER BACK PANEL		1X
K	LEG		4X
L	DOOR		3X
M	DRAWER FRONT		3X
N	DRAWER LEFT		3X
O	DRAWER RIGHT		3X
P	DRAWER BACK		3X
Q	DRAWER BASE		3X

SAFAVIEH FURNITURE
















Model# MED5004

Product Dimensions: 60"W x 15 5/16"D x 35"H



WEIGHT CAPACITY :
TOP : 110 LBS
DRAWER : 30 LBS
SHELF : 40 LBS

**WARNING: DO NOT OVER TORQUE
BOLTS/SCREWS**

PIECE	DESCRIPTION	PICTURE	QUANTITY
1	65 MM BOLT	M6x65mm 	8X
2	SPRING WASHER		8X
3	FLAT WASHER		8X
4	1 1/2" ROUND HEAD SCREW	M3x38mm 	4X
5	1/2" ROUND HEAD SCREW	M3x13mm 	28X
6	1 1/4" FLAT HEAD SCREW	M3x32mm 	24X
7	3/4" FLAT HEAD SCREW	M3x19mm 	12X
8	1/2" FLAT HEAD SCREW	M3x13mm 	12X
9	CAMBOLT		34X
10	CAMLOCK		34X
11	HINGE		6X
12	SHELF SUPPORT PIN		4X
13	HANDLE		6X
14	DOWEL		8X
15	ALLEN KEY		1X

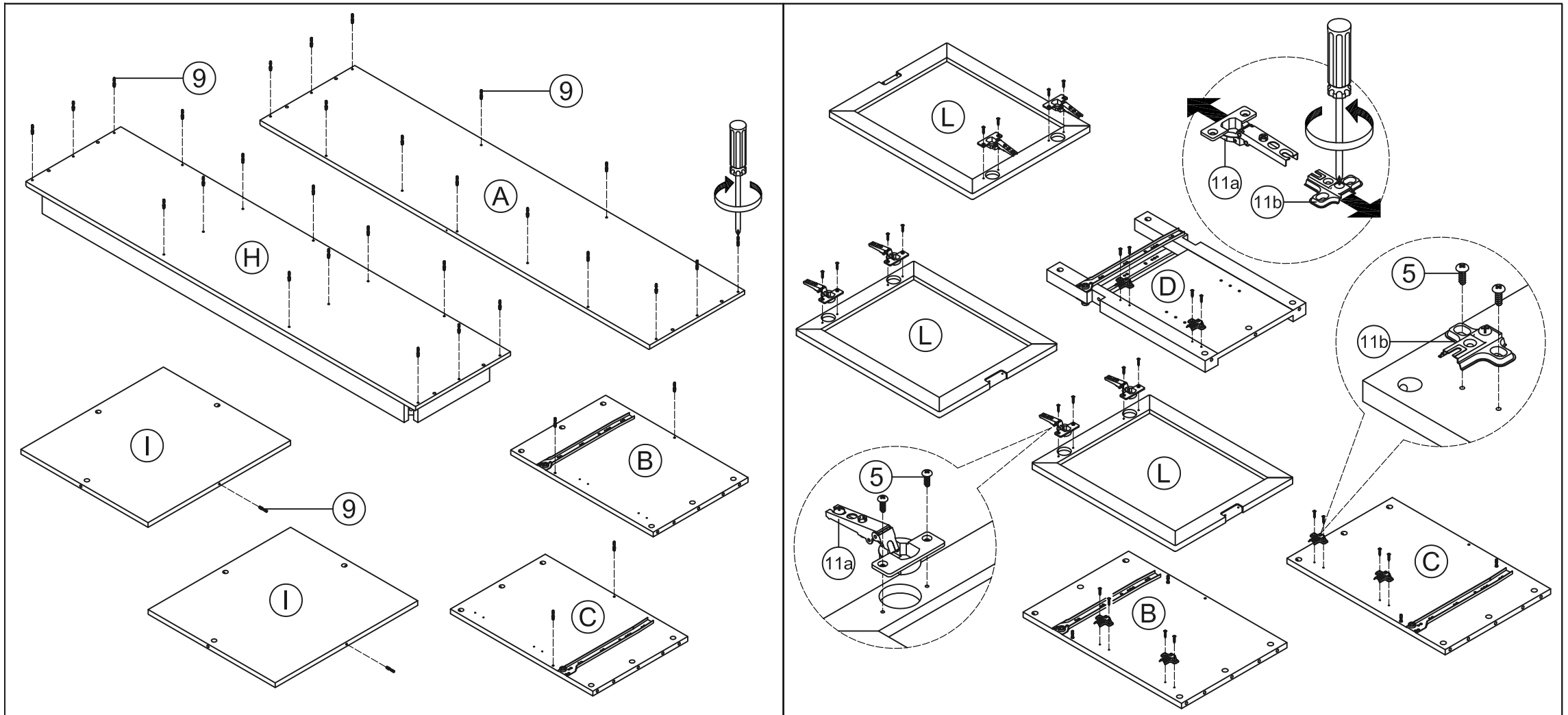
PREPARATION

Before beginning assembly of product, make sure all parts are present. Compare parts with package contents list and hardware contents list.

If any part is missing or damaged, do not attempt to assemble the product.

Estimated Assembly Time: 60 minutes.

Tools Required for Assembly : Phillips Screwdriver



STEP 1 ATTACH CAMBOLTS TO TOP PANEL, LEFT AND RIGHT PANELS, BOTTOM ASSEMBLY AND SIDE BACK PANELS.

STEP 2 DETACH THE HINGE FROM THE BASE. ATTACH HINGE BASES TO LEFT AND RIGHT PANELS, LEFT DIVIDER USING 1/2" ROUND HEAD SCREWS. ATTACH HINGES TO DOORS USING 1/2" ROUND HEAD SCREWS.

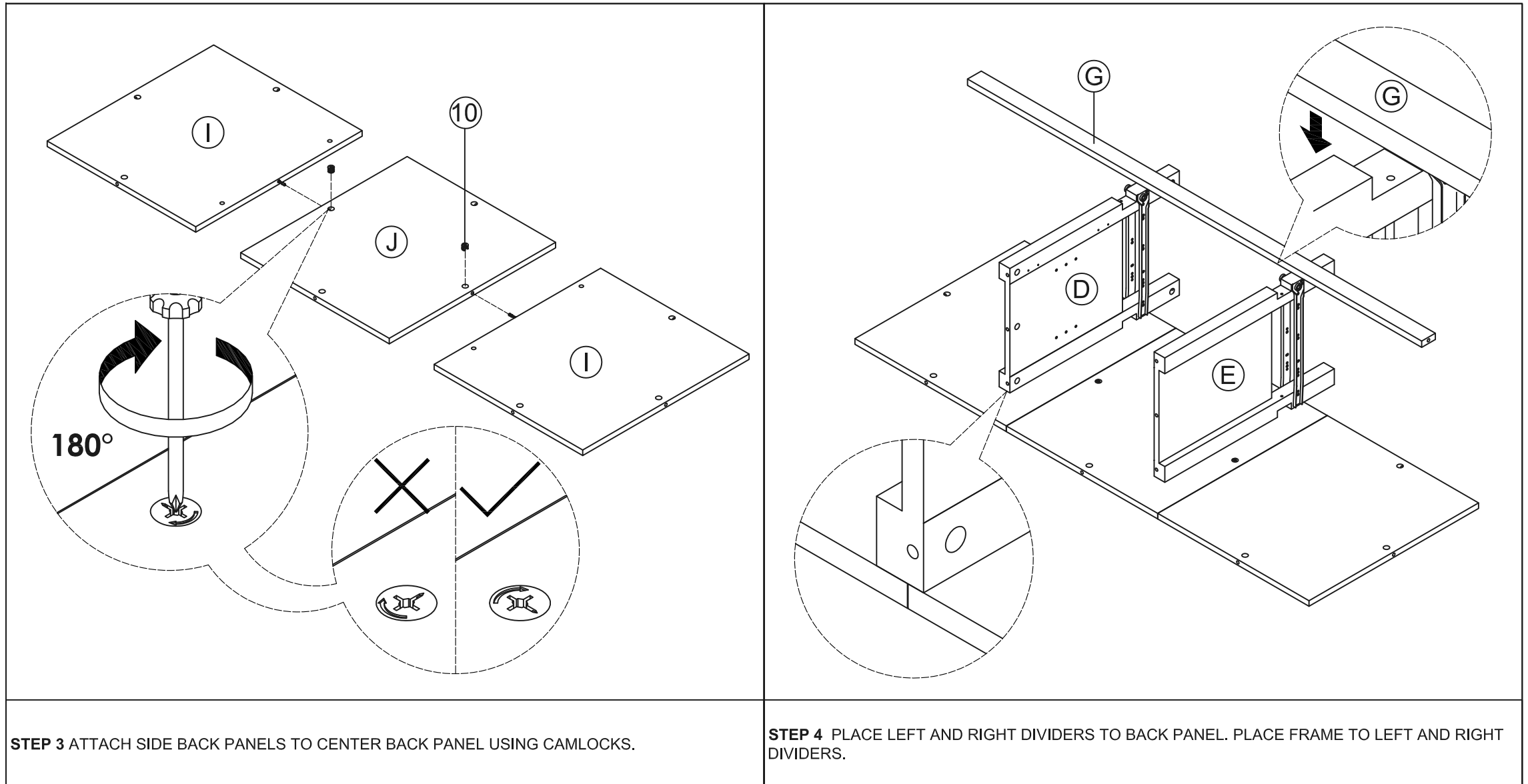
PREPARATION

Before beginning assembly of product, make sure all parts are present. Compare parts with package contents list and hardware contents list.

If any part is missing or damaged, do not attempt to assemble the product.

Estimated Assembly Time: 60 minutes.

Tools Required for Assembly : Phillips Screwdriver



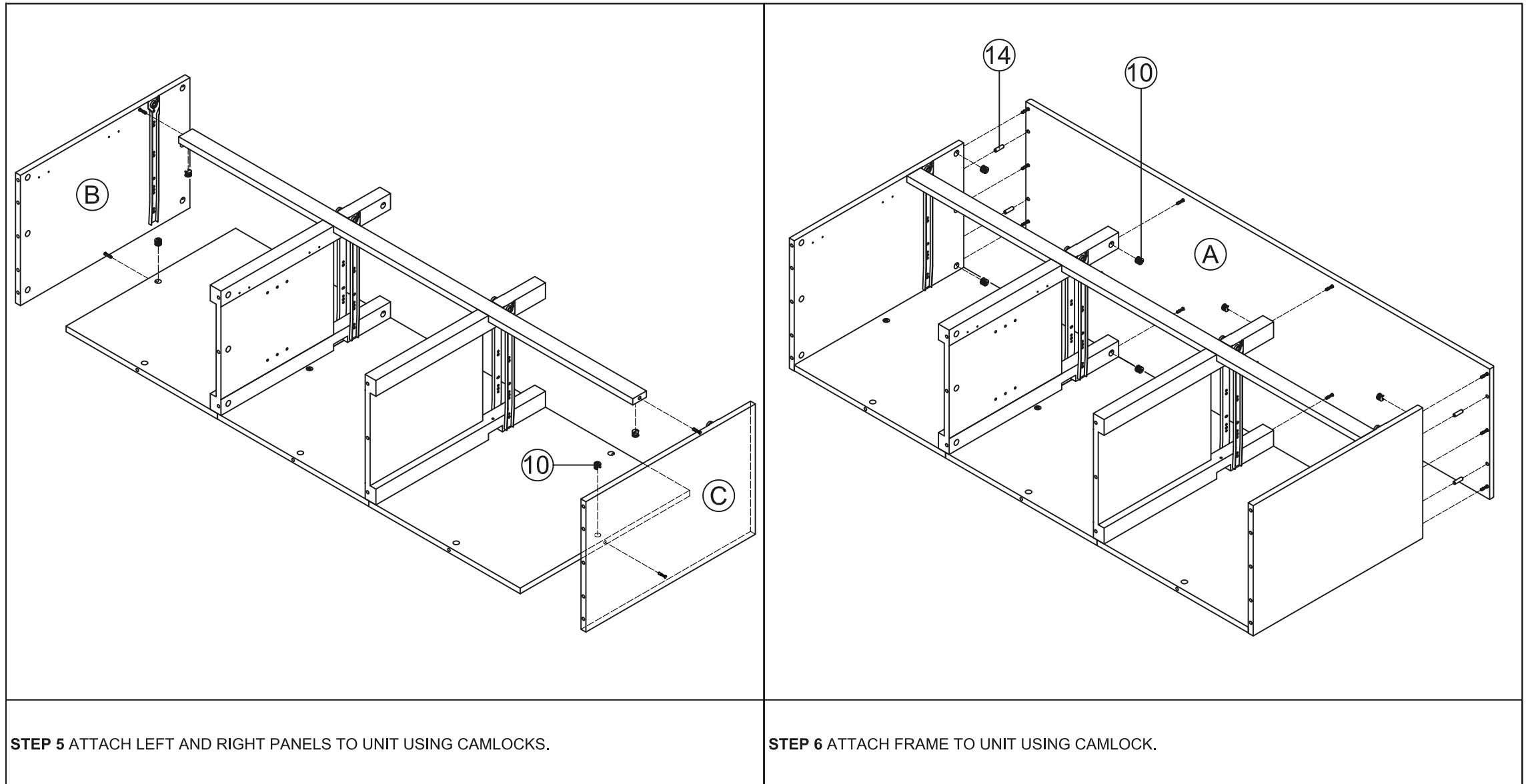
PREPARATION

Before beginning assembly of product, make sure all parts are present. Compare parts with package contents list and hardware contents list.

If any part is missing or damaged, do not attempt to assemble the product.

Estimated Assembly Time: 60 minutes.

Tools Required for Assembly : Phillips Screwdriver



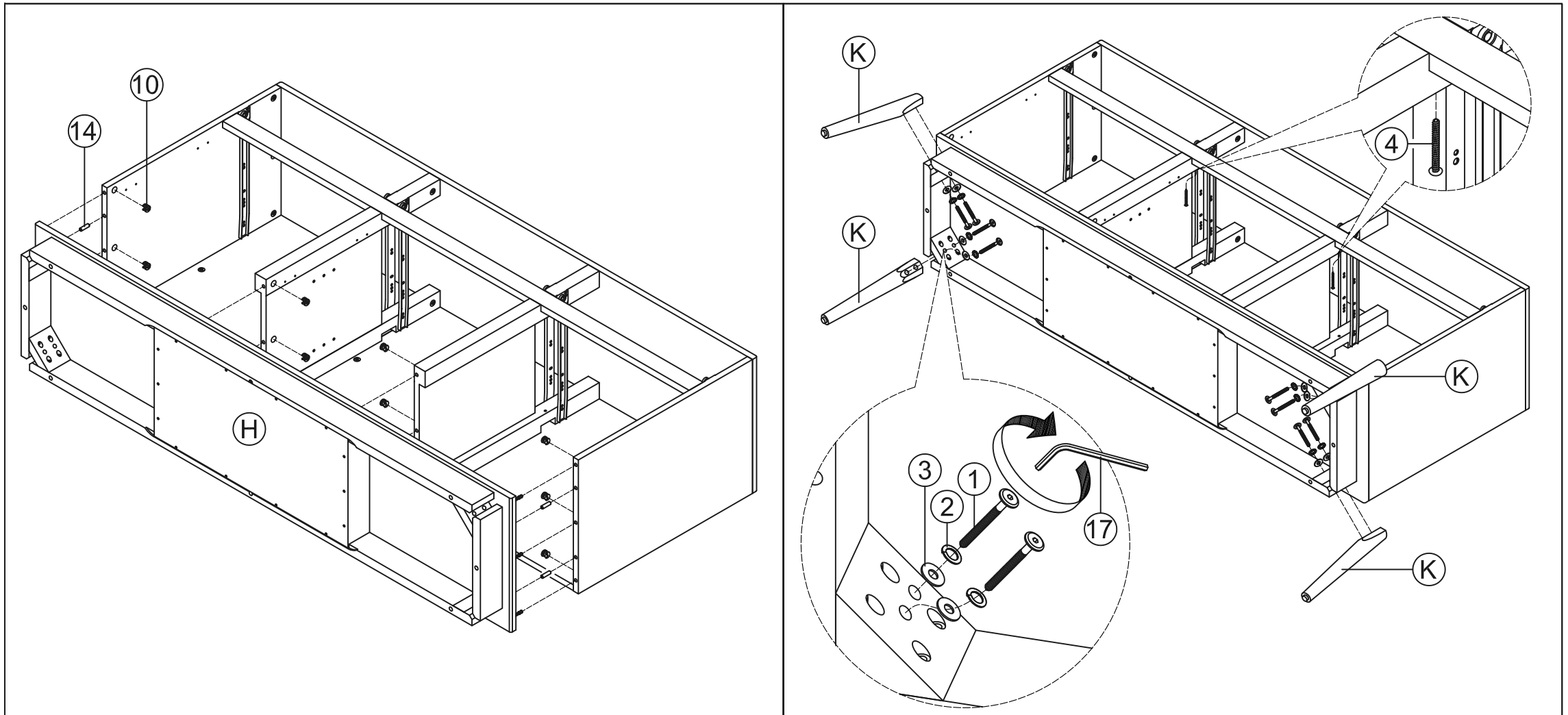
PREPARATION

Before beginning assembly of product, make sure all parts are present. Compare parts with package contents list and hardware contents list.

If any part is missing or damaged, do not attempt to assemble the product.

Estimated Assembly Time: 60 minutes.

Tools Required for Assembly : Phillips Screwdriver



STEP 7 ATTACH BOTTOM ASSEMBLY TO UNIT USING CAM LOCKS AND DOWELS.

STEP 8 ATTACH 1 1/2" ROUND HEAD SCREWS TO UNIT.
ATTACH LEGS TO UNIT USING 65 MM BOLTS, SPRING WASHERS AND FLAT WASHERS.
TIGHTEN THE BOLTS USING L KEY.

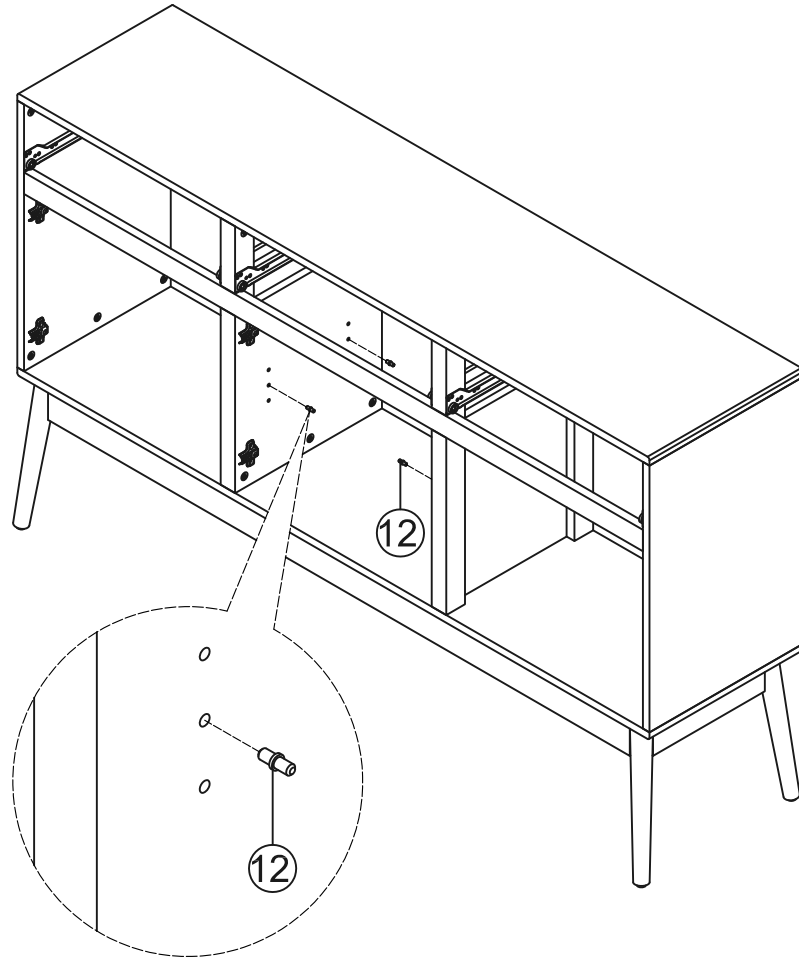
PREPARATION

Before beginning assembly of product, make sure all parts are present. Compare parts with package contents list and hardware contents list.

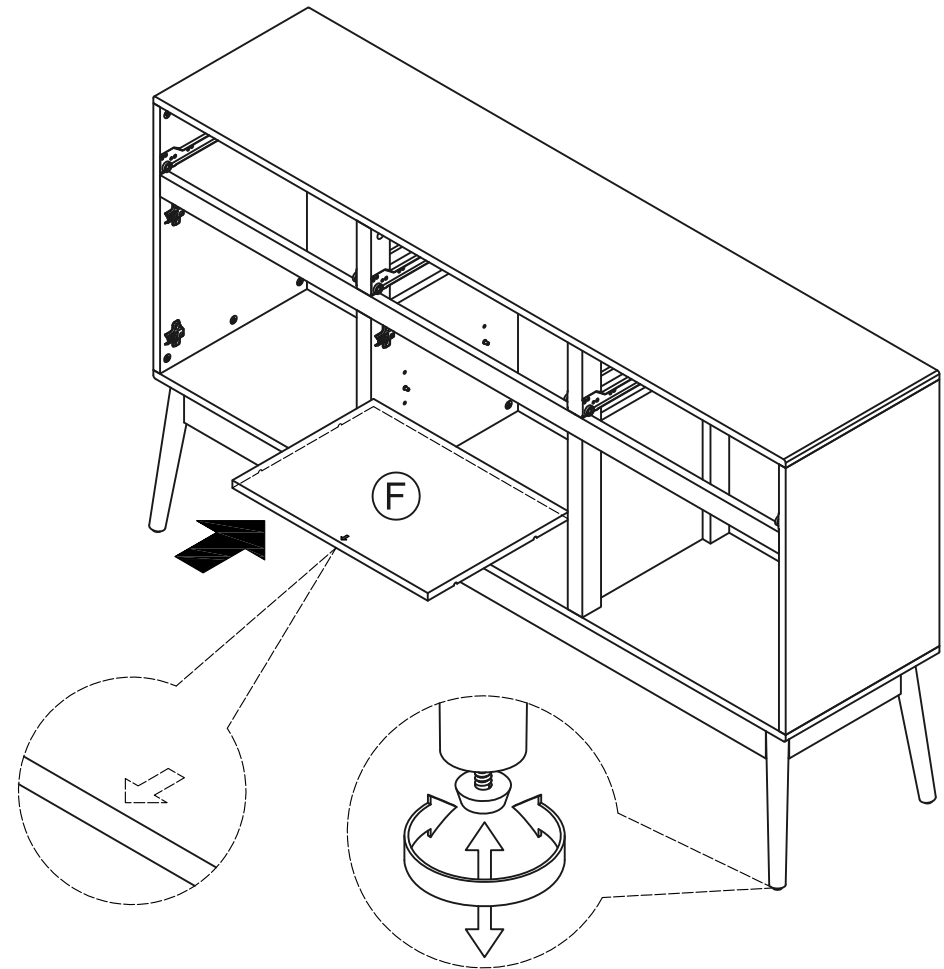
If any part is missing or damaged, do not attempt to assemble the product.

Estimated Assembly Time: 60 minutes.

Tools Required for Assembly : Phillips Screwdriver



STEP 9 INSERT SHELF SUPPORT PINS TO UNIT.



STEP 10 PLACE ADJUSTABLE SHELF TO UNIT. ADJUST THE ADJUSTER THAT HAS ALREADY BEEN ASSEMBLED TO THE LEGS TO STABILIZE YOUR UNIT.

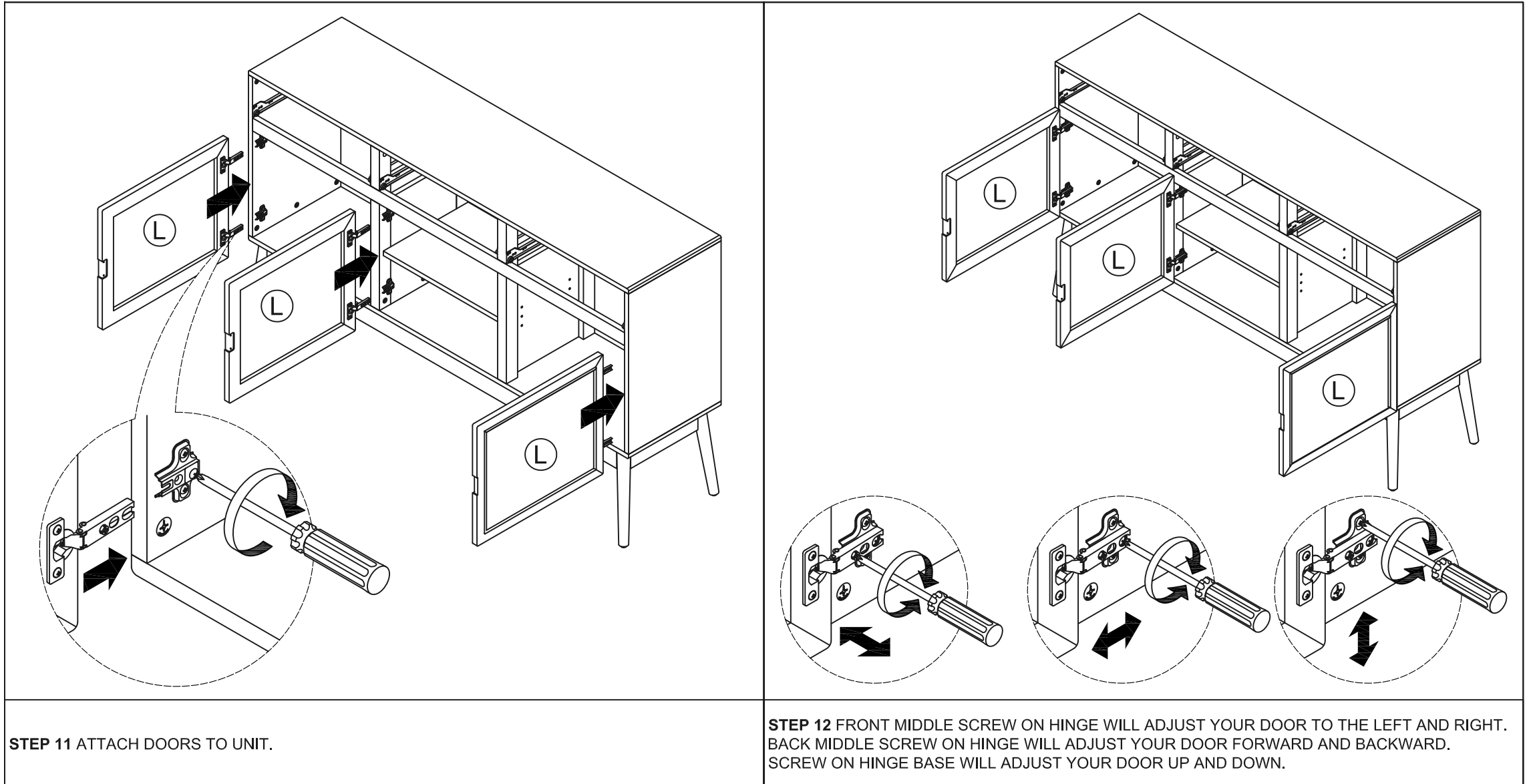
PREPARATION

Before beginning assembly of product, make sure all parts are present. Compare parts with package contents list and hardware contents list.

If any part is missing or damaged, do not attempt to assemble the product.

Estimated Assembly Time: 60 minutes.

Tools Required for Assembly : Phillips Screwdriver



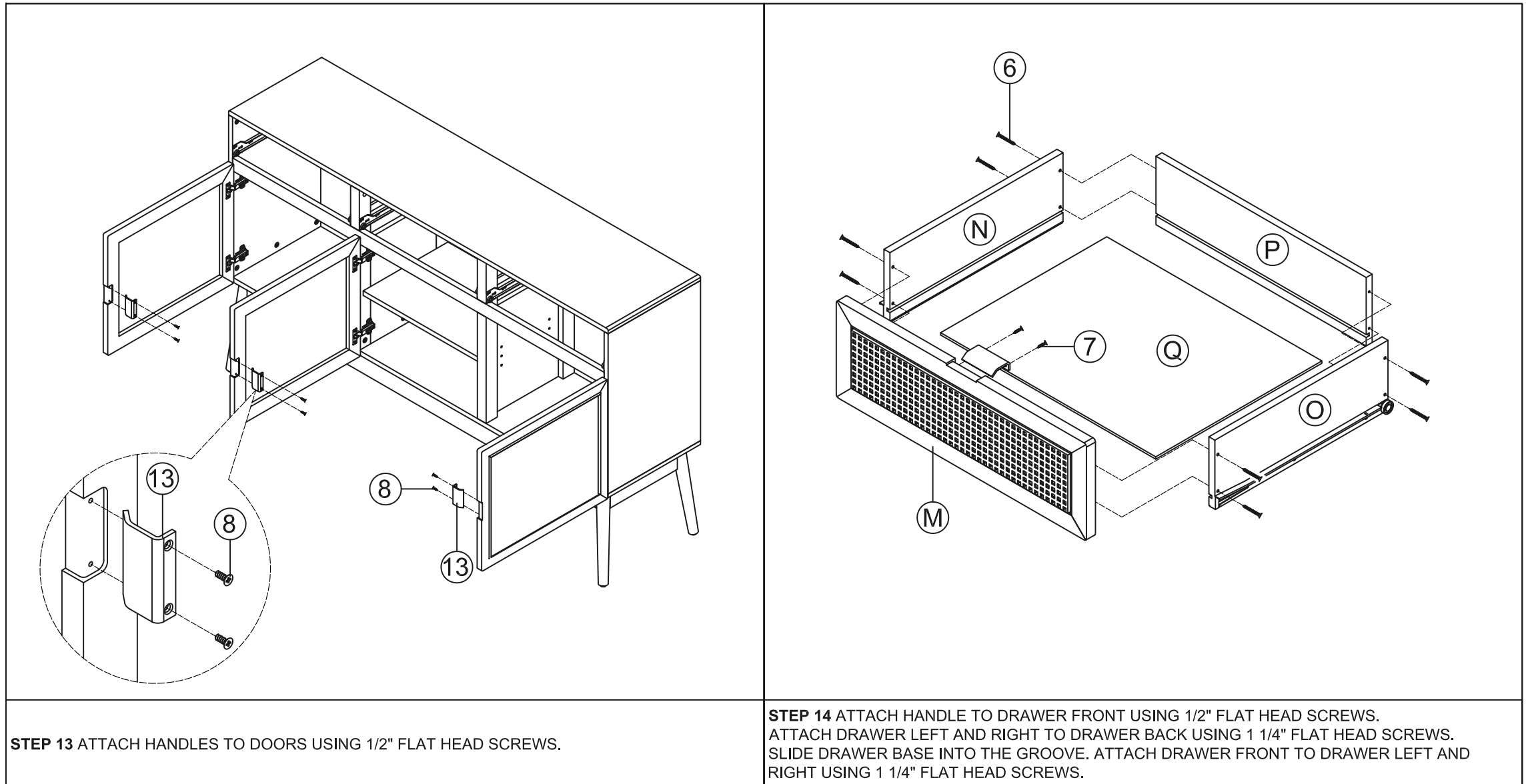
PREPARATION

Before beginning assembly of product, make sure all parts are present. Compare parts with package contents list and hardware contents list.

If any part is missing or damaged, do not attempt to assemble the product.

Estimated Assembly Time: 60 minutes.

Tools Required for Assembly : Phillips Screwdriver



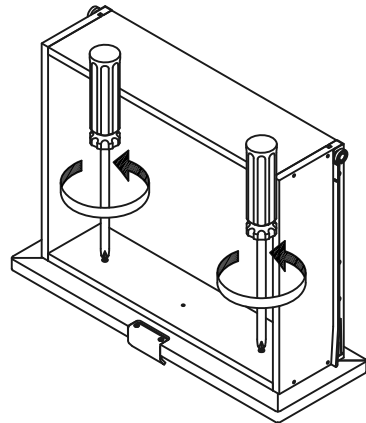
PREPARATION

Before beginning assembly of product, make sure all parts are present. Compare parts with package contents list and hardware contents list.

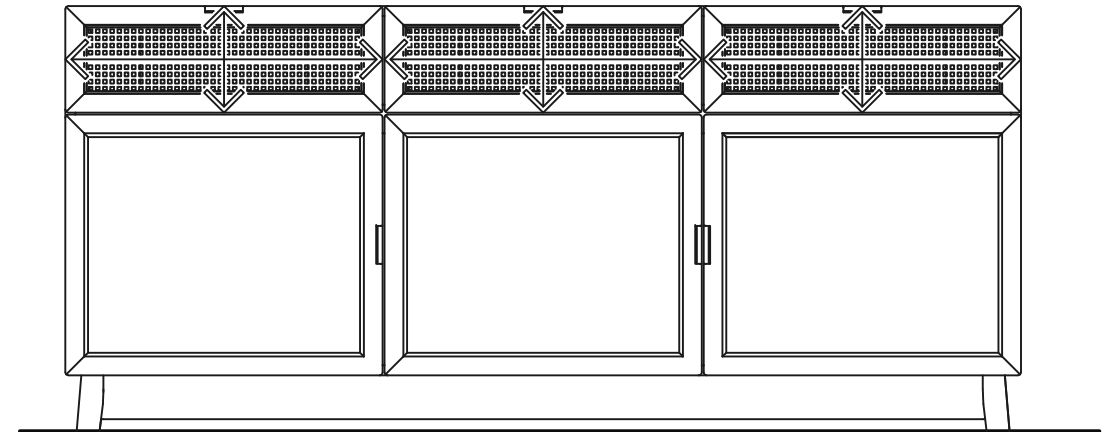
If any part is missing or damaged, do not attempt to assemble the product.

Estimated Assembly Time: 60 minutes.

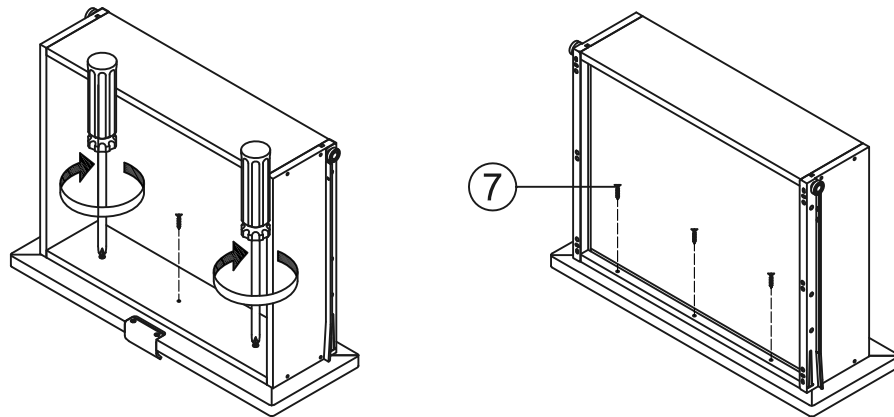
Tools Required for Assembly : Phillips Screwdriver



STEP 15 LOOSEN SLIGHTLY THE SCREWS PRE-INSTALLED ON THE BACK OF THE DRAWER FRONTS.



STEP 16 INSERT THE DRAWER INTO THE UNIT, THEN ADJUST THE DRAWER FRONT PANEL LEFT OR RIGHT AND UP OR DOWN UNTIL THE DRAWER GAPS LOOK PROPORTIONAL.



STEP 17 PULL THE DRAWER OPEN SLOWLY AND RE-TIGHTEN THE SCREWS FROM STEP 15. MAKE SURE THE FRONT PANEL DOES NOT MOVE AND LOCK THE DRAWER FRONT PANEL INTO POSITION WITH 3/4" FLAT HEAD SCREWS.



STEP 18 SLIDE THE DRAWERS INTO UNIT.