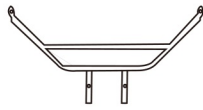
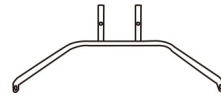


Ⓐ X1



Ⓑ X1



Ⓒ X1



Ⓓ X2



Ⓔ X1



6x30mm

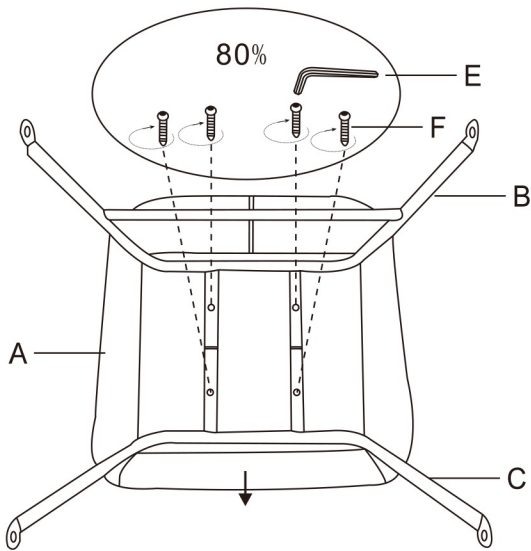
Ⓕ X4



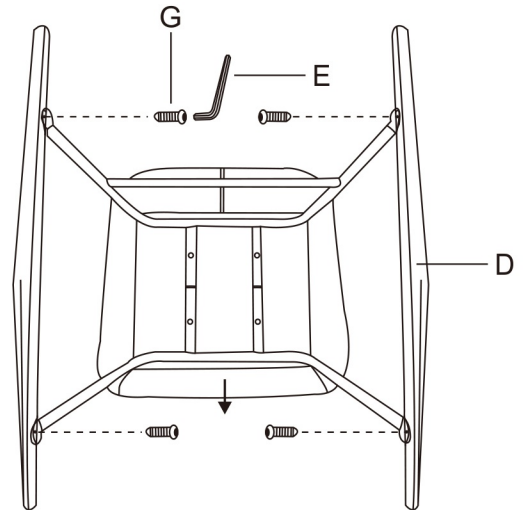
6x18mm

Ⓖ X4

1



2



3

