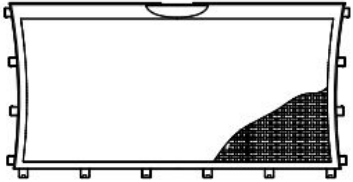
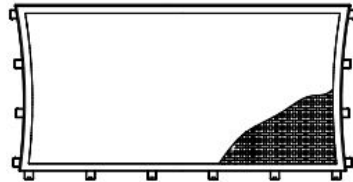


Installation Instruction

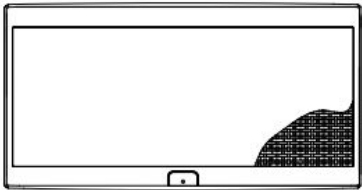
PARTS LIST:



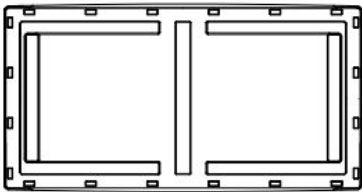
Front Panel



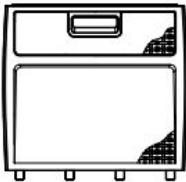
Back Panel



Lid



Bottom Panel

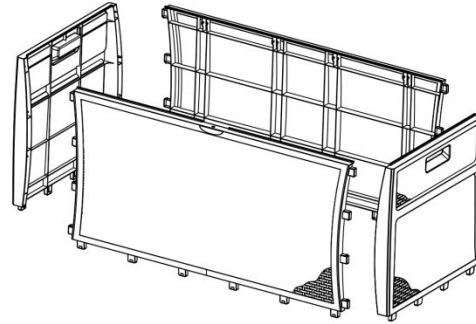


Right & Left Side Panel

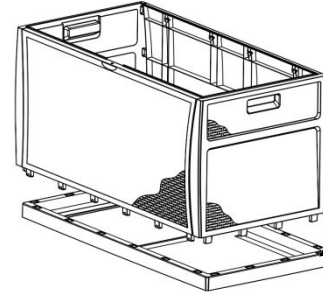


Hook x 4pcs

Step 1: Fix the front & back panels with the right and left side panels.

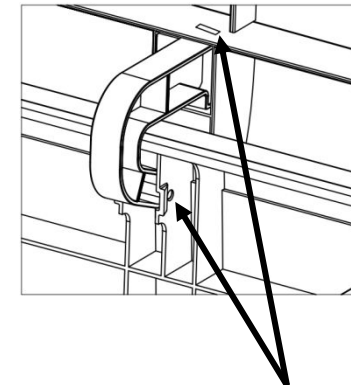
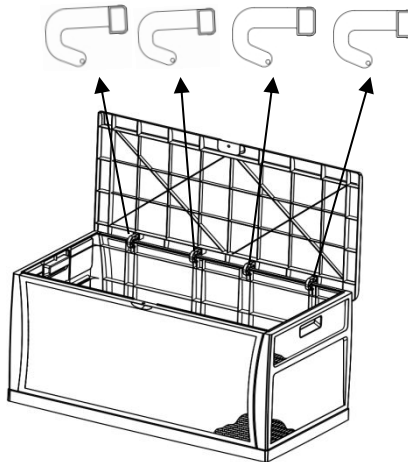


Step 2: Fix the frame of front, back and side panels with the bottom.



Tip: Put the flat border face with holes upwards.

Step 3: Fix the lid with back panel using four hooks.



!Tip: Fix the four hooks with the back panel first by clicking in the holes, then click the hooks with the lid holes.