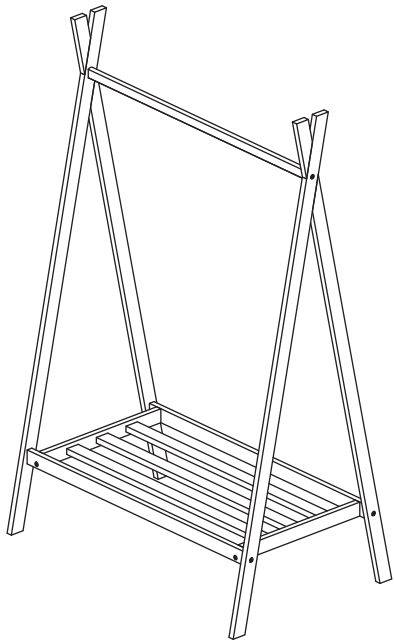


Assembly Instruction

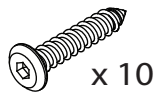
38" W Teepee Coat Rack



LIST OF WOODEN PARTS

No.	Description	Q'ty
A	Outermost Support Beam	2 pcs.
B	Inner Support Beam	2 pcs.
C	Wood Bar	1 pc.
Shelf		
D	Front and Back	2 pcs.
E	Side	2 pcs.
F	Slats	3 pcs.

Hardware



RF10020
Screw JCA 1/4" x 38mm



RF40015
Allen Key

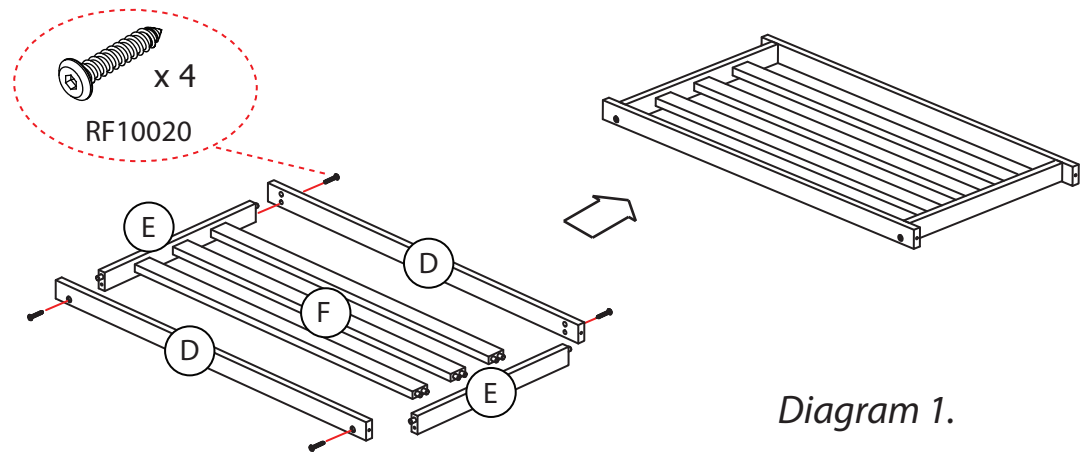


Diagram 1.

Step1:

Assemble shelf by attaching Front and Back (D), Sides (E) and Slats (F) together using screws (RF10020) as per diagram 1.

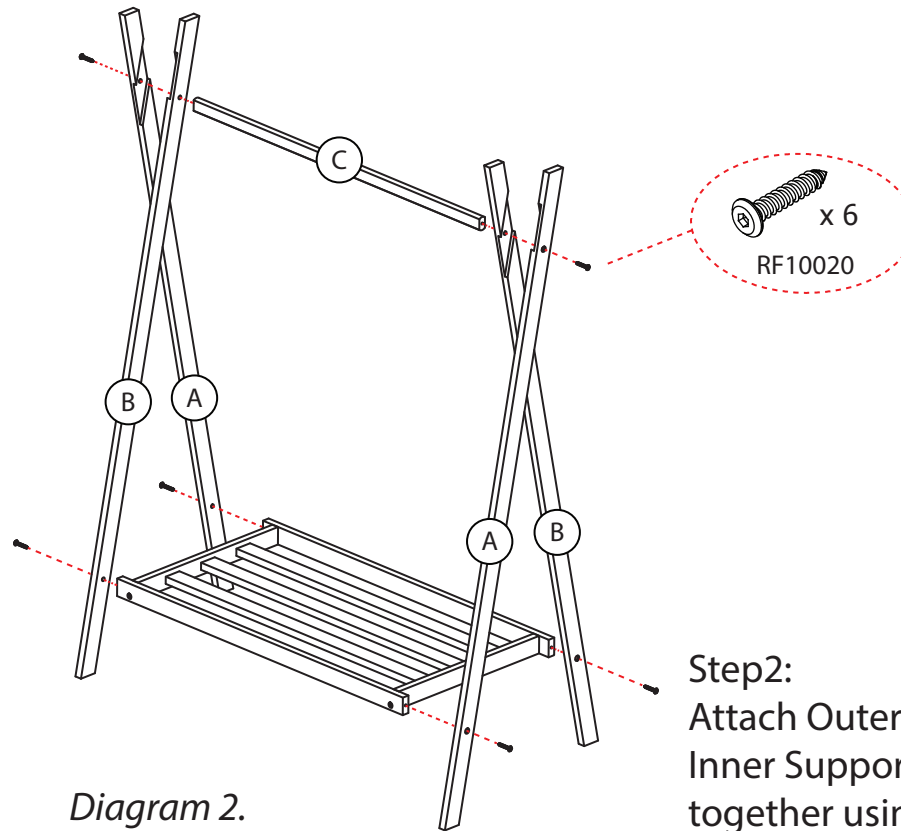


Diagram 2.

Step2:

Attach Outermost Support Beam (A), Inner Support Beam (B) and Wood Bar (C) together using screws (RF10020) as per diagram 2.