

AXOR ShowerSolutions

Basic set/ waterconducting unit for shelf 120/120 for concealed installation

Surfaces: n.a. Article Number: 40877180



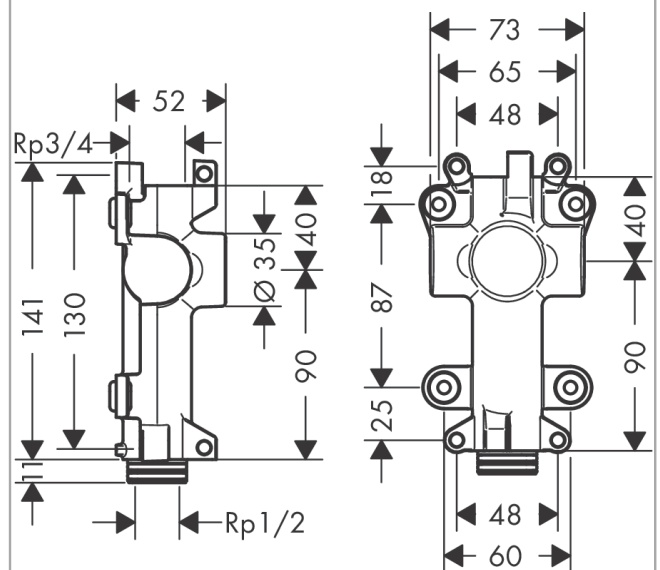
product features

- in a joined installation it serves as a waterconducting unit, allows dimensionally accurate positioning. In combination with: no.40872000

Product image



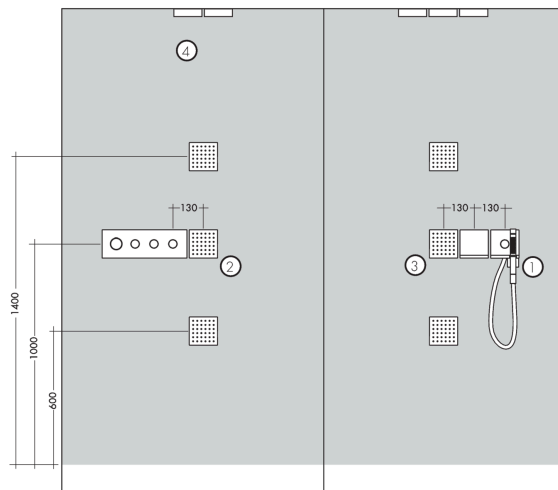
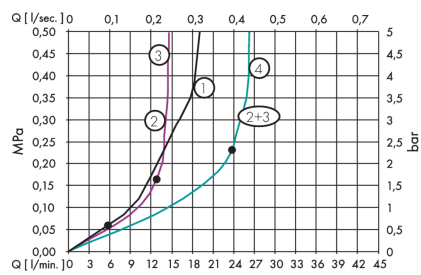
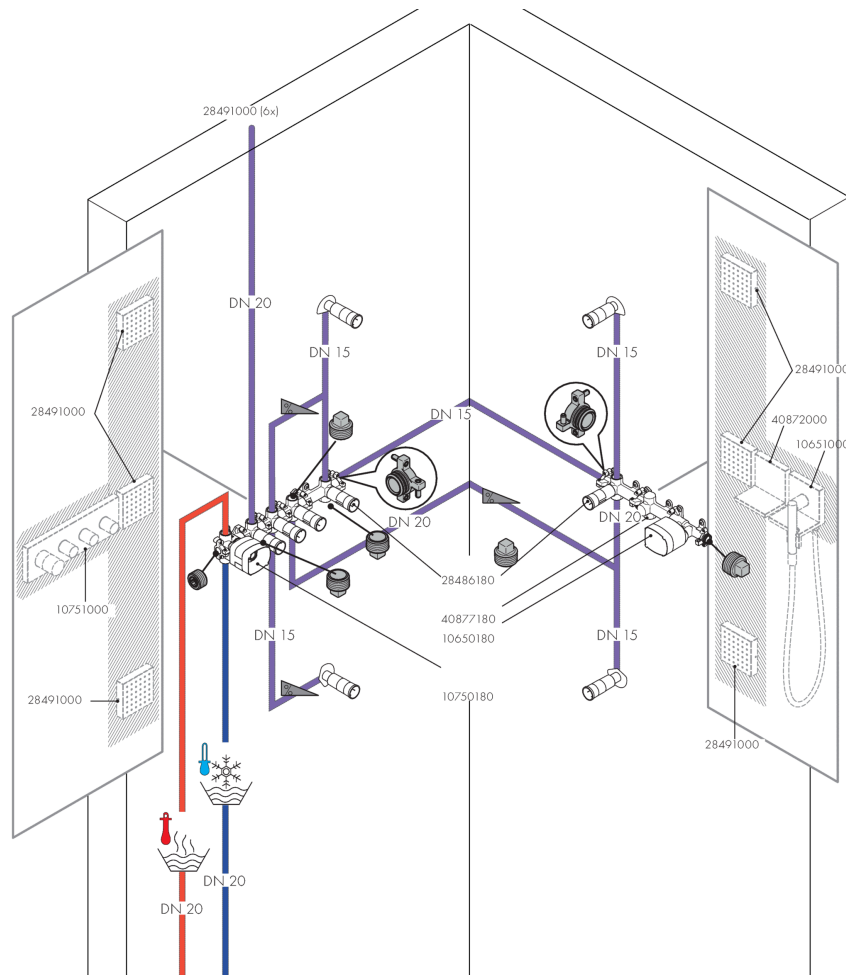
Scale drawing



AXOR ShowerSolutions
Basic set/ waterconducting unit for shelf 120/120 for concealed installation
 Surfaces: n.a. Article Number: 40877180



Installation examples



AXOR ShowerSolutions

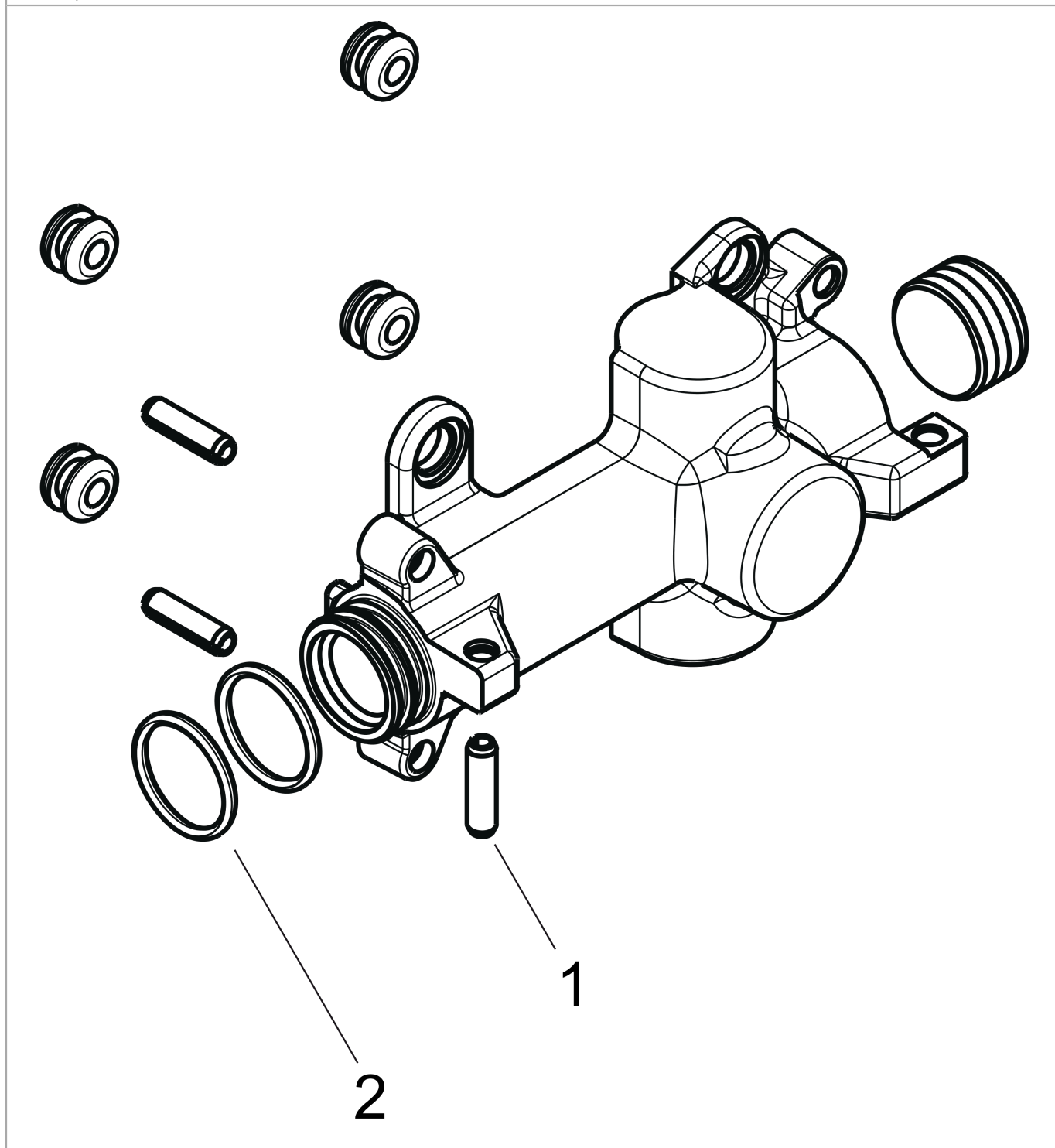
Basic set/ waterconducting unit for shelf 120/120 for concealed installation

Surfaces: n.a. Article Number: 40877180



Exploded Drawing

Year of production: >01/09



AXOR ShowerSolutions

Basic set/ waterconducting unit for shelf 120/120 for concealed installation

Surfaces: n.a. Article Number: 40877180



Spare part list

Year of production: >01/09

Pos.		Article Number	Price	PU
1	O-Ring 23x2,5	98183000	-	1
2	pin	95334000	-	1