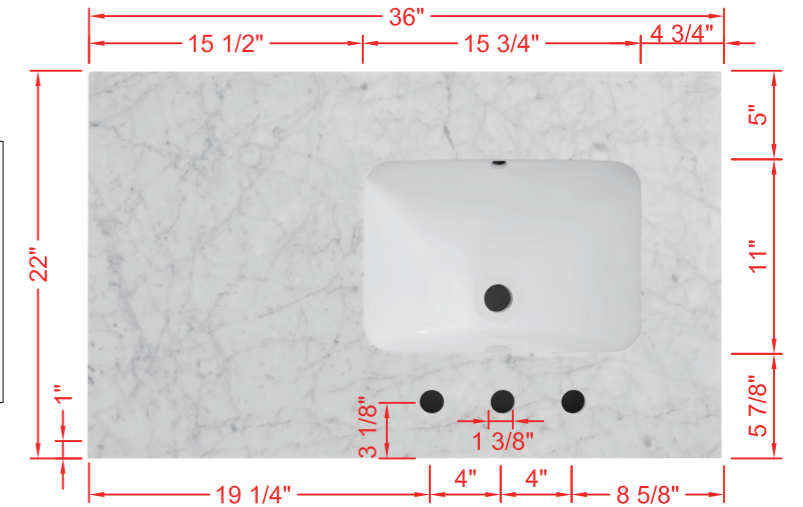
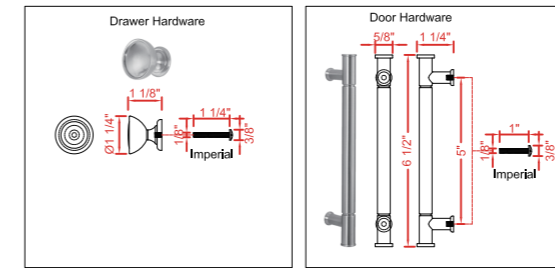
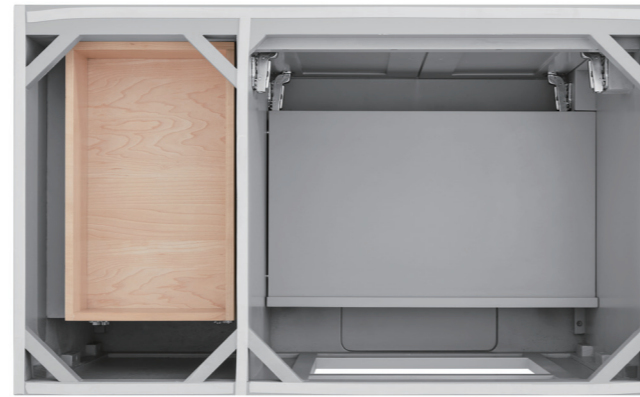
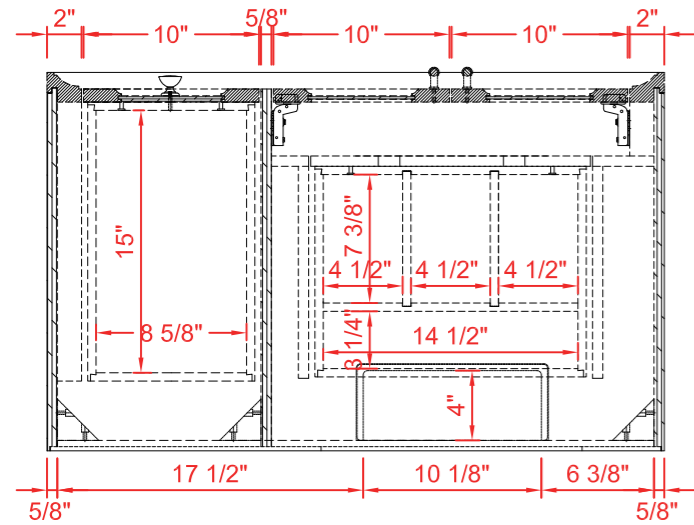


# INSTALLERS DIAGRAM

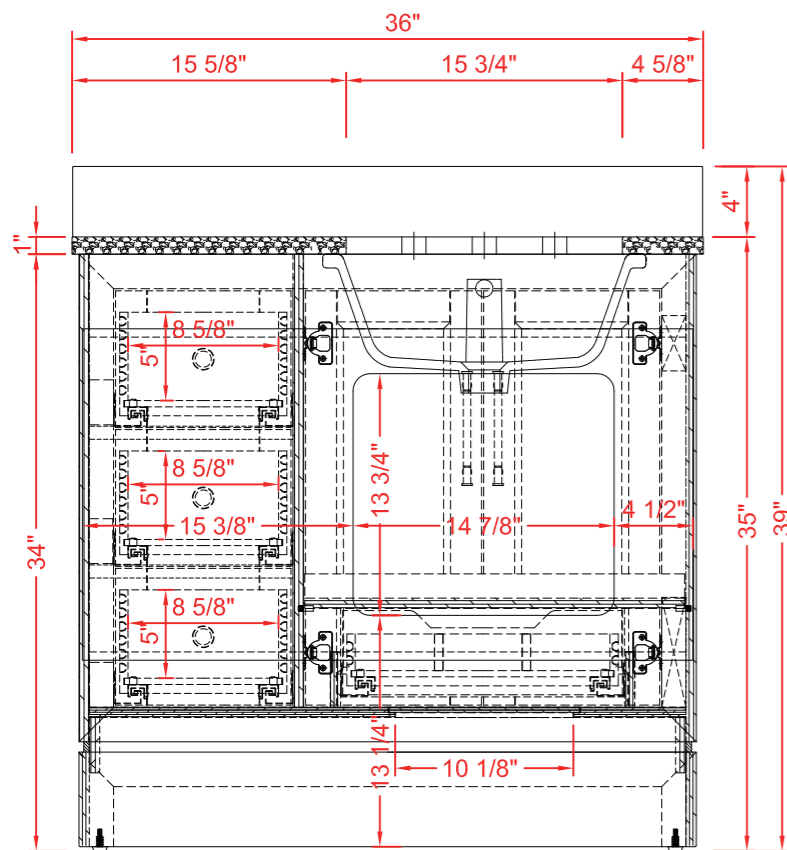
MODEL NUMBER:1580VB-36-201-242-UM

## UNDERMOUNT SINK

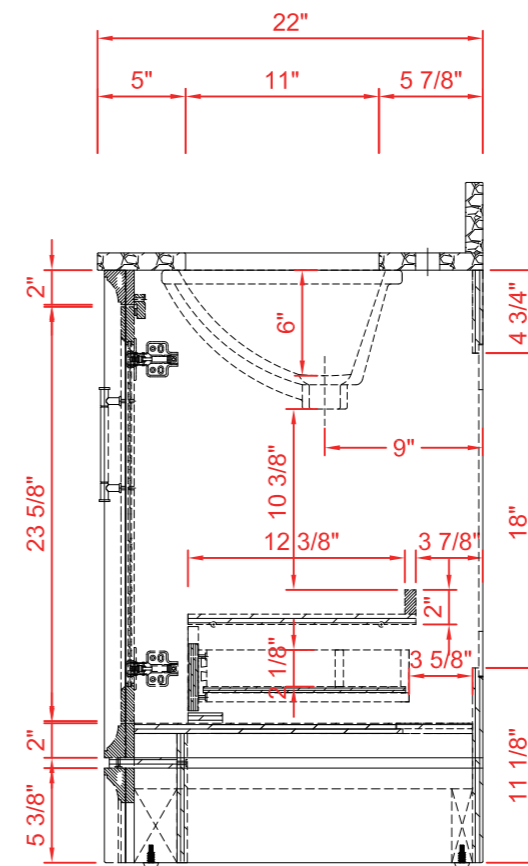


TOP VIEW

Product Net weight (W/O Top):108lbs.  
Product packed Gross weight (W/O Top):145lbs.  
Packed product Dimensions:  
38.5in. W x 24.75in. D x 39.5in. H



FRONT VIEW



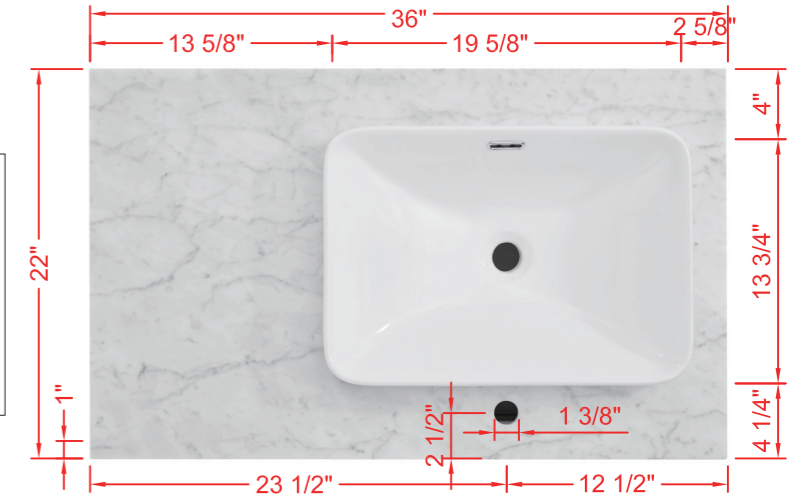
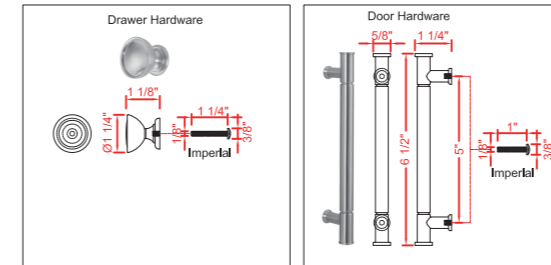
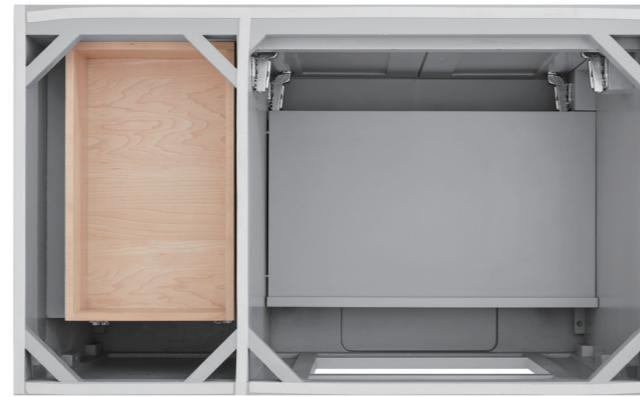
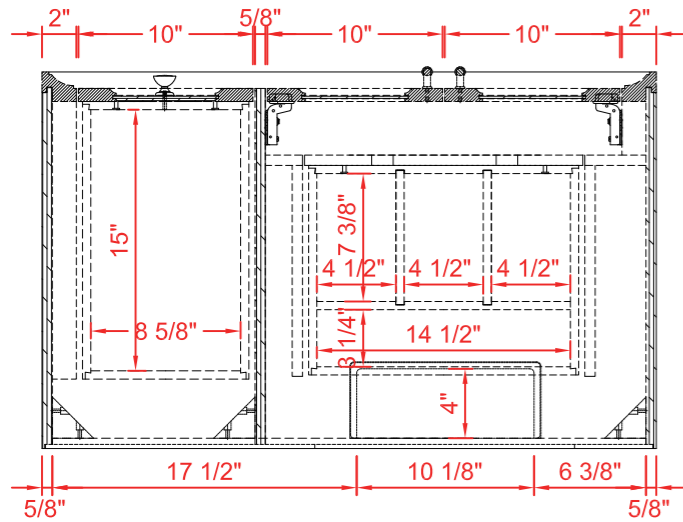
SIDE VIEW



# INSTALLERS DIAGRAM

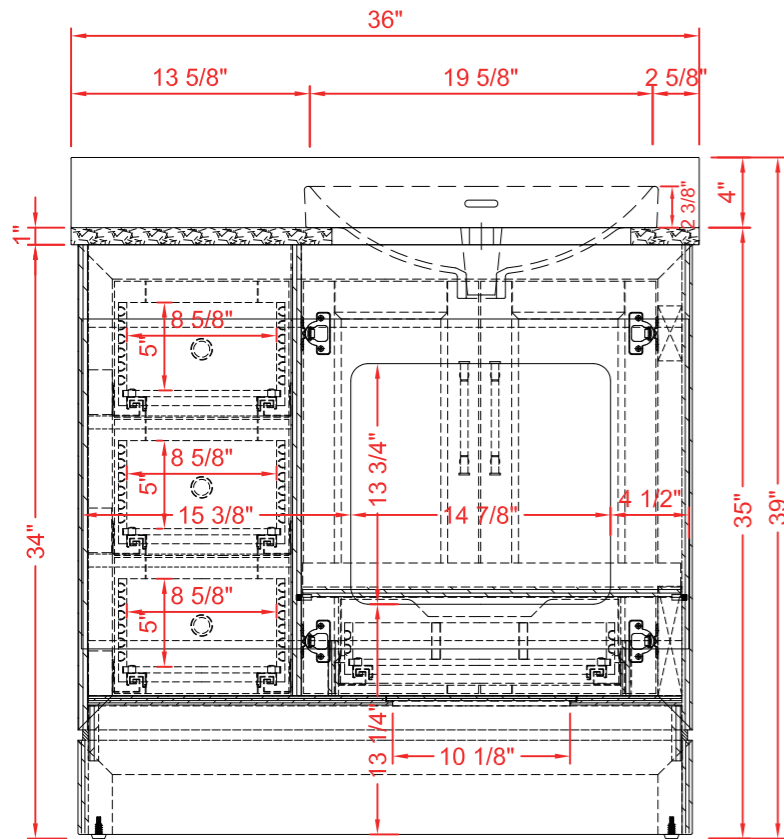
MODEL NUMBER:1580VB-36-201-242-SR

## SEMI-RECESSED SINK

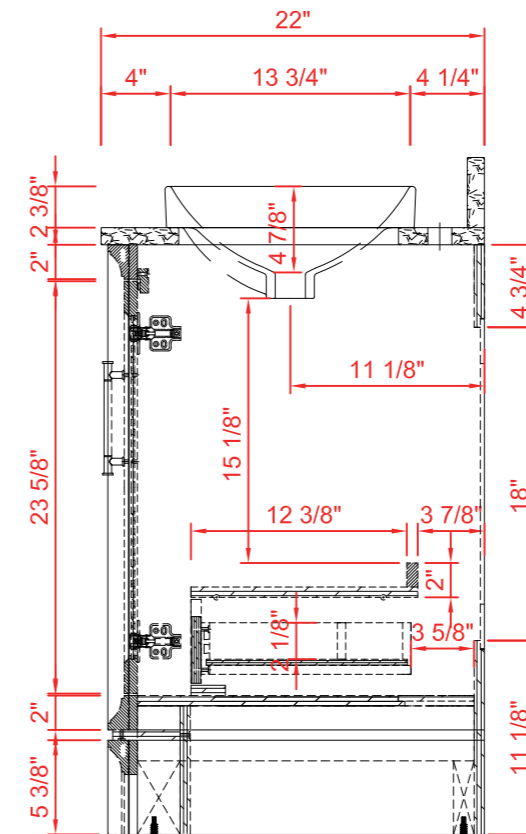


TOP VIEW

Product Net weight (W/O Top):108lbs.  
 Product packed Gross weight (W/O Top):145lbs.  
 Packed product Dimensions:  
 38.5in. W x 24.75in. D x 39.5in. H



FRONT VIEW



SIDE VIEW

