



ASSEMBLING & INSTALLATION INSTRUCTIONS

The drawing shown may not exactly match the product enclosed. However, the installation instructions do apply to this product.

*****WARNING! SHUT POWER OFF AT FUSE OR CIRCUIT BREAKER.**

*****ATTENTION! COUPER LE COURANT AU FUSIBLE OU UN DISJONCTEUR.**

ASSEMBLING THE FIXTURE (Fig.1)

1. Shut off the power at the circuit breaker box. Remove old fixture and all hardware from Junction Box. Carefully unpack your new fixture and lay out all the parts on a clear area. Take care not to lose any small parts necessary for installation.
2. Fix mounting plate D on junction box with Box Screw . The side of the mounting plate marked "GND" must face out. **The junction box is not included.**
3. Attach the backplane (B) to the junction box and lock it with mounting screws.
4. Follow wiring instructions carefully.(see fig.2) specifications. **NOTE: DO NOT EXCEED THE MAXIMUM WATTAGE RATING!**

CONNECTING THE WIRES (Fig.2)

1. Connect the electrical wires as follows. Connect the Black wire from the fixture to the black house (hot) Wire. Connect the white wire from the fixture to the white (neutral) house wire. Make sure all wire nuts are secured. You may wrap the connections with electrical tape. If your outlet box has a ground wires (green or bare copper) connect fixture's ground wire to it. Otherwise attach the bare copper fixture wire to the green ground screw on the mounting plate.
2. Tuck the wire connections neatly into the wall junction box.

Your installation is now complete. Return power to the junction box and test the fixture.

FIG.1

To prevent moisture from entering the outlet box and causing a short, use clear caulking (i.e. Indoor/Outdoor Silicone Sealant) to outline the outside of fixture back plate where it meets the wall leaving a space at bottom to allow moisture a means to escape.

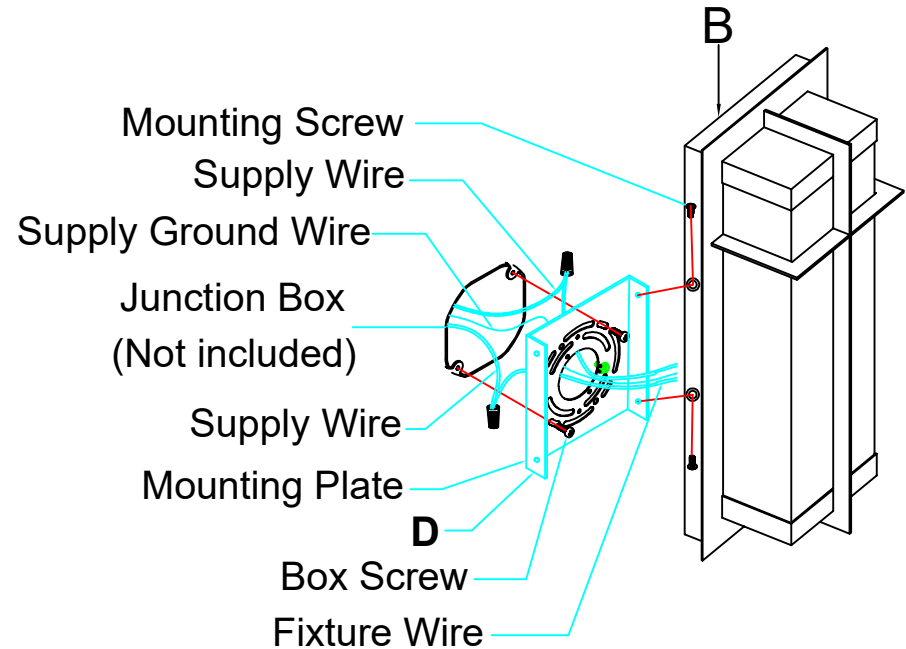
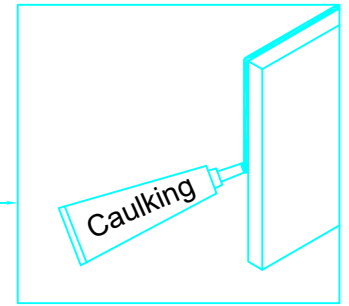


FIG.2

FIXTURE WIRES
Black or Smooth



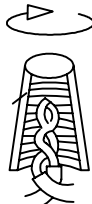
HOUSE WIRES
Black(Hot)

FIXTURE WIRES
White or Ribbed



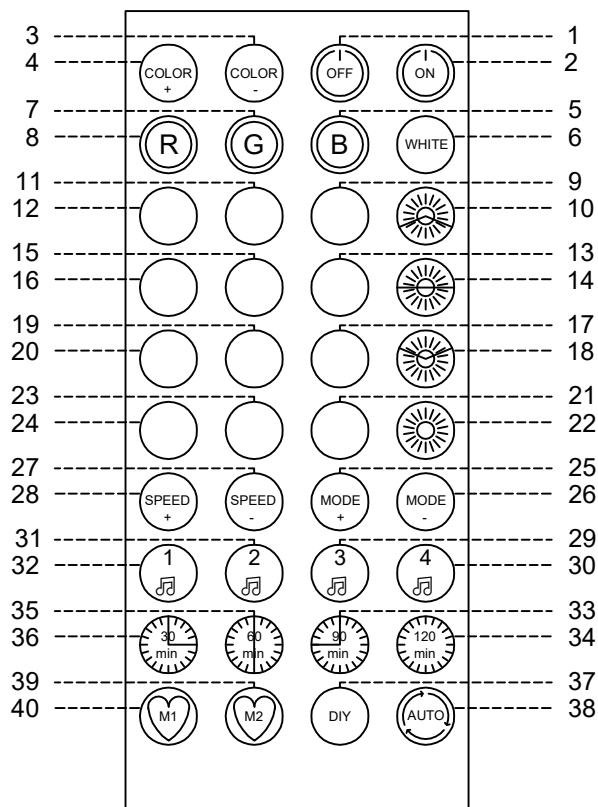
HOUSE WIRES
White (Neutral)

FIXTURE WIRES
Bare Copper (Ground)



HOUSE WIRES
Green or Bare Copper(Ground)

RGB-Manual for the interface buttons of the 3-channel Colorful Remote Control



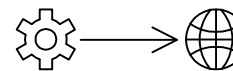
Remove the insulation sheet before use

Note: Due to the DIY mode included in the function, some button functions may be mixed and matched, and some buttons may not be effective under specific functions, which does not belong to button failure

1. OFF
2. ON
3. Brightness Plus
4. Brightness reduction
5. Blue light
6. white light
7. green light
8. red light
9. Light Blue light
10. Light Purple light
11. Light red light
12. Light green light
13. circulation rate
14. Quick cut color change
15. Gradient cycle
16. circulation rate
17. Colorful scrolling
18. Monochrome background scrolling
19. Illusion color becomes faster
20. Colorful gradient
21. Multi colored waterfall rolling
22. Bule and white scrolling
23. Edge scrolling
24. Scroll towards the center
25. Reverse scrolling
26. Forward scrolling
27. white light scrolling
28. Multi color scrolling
29. spectrum
30. scrolling
31. energy
32. rhythm
33. Timed to close for 90 minutes
34. Timed to close for 120 minutes
35. Timed to close for 60 minutes
36. Timed to close for 30 minutes
37. custom mode
38. Mode cycle
39. Mode:quiet/noon break
40. Mode:leisure/Party



Mobile control, please scan the code to download the Baolian Lamp Pro APP first, then turn on Bluetooth and enter the Baolian Lamp APP to connect



After opening, language switching can be set in the upper left corner of the interface